



US00D657233S

(12) **United States Design Patent**
Penney et al.

(10) **Patent No.:** **US D657,233 S**
(45) **Date of Patent:** **** Apr. 10, 2012**

(54) **PAIR OF SHOWER ROD SUPPORT HOLDERS**

(76) Inventors: **Kevin J. Penney**, Quincy, MA (US);
Peter Brownlee, Quincy, MA (US)

(**) Term: **14 Years**

(21) Appl. No.: **29/339,454**

(22) Filed: **Jun. 30, 2009**

(51) **LOC (9) Cl.** **08-05**

(52) **U.S. Cl.** **D8/376**

(58) **Field of Classification Search** D6/525,
D6/546-550; D8/350-353, 363, 367, 373,
D8/374, 376, 377, 380, 381; D14/253; 4/608;
24/573, 597; 182/228.4; 211/123; 248/264
See application file for complete search history.

(56) **References Cited**

U.S. PATENT DOCUMENTS

42,198	A *	4/1864	Eustics	24/134	KB
611,479	A *	9/1898	Harling	411/329	
805,570	A *	11/1905	Maldaner	248/264	
4,754,504	A *	7/1988	Cellini	4/610	
D299,212	S	1/1989	Murphy			
5,085,289	A *	2/1992	Chance	180/383	

5,146,648	A	9/1992	Hudson		
5,170,974	A *	12/1992	Ruggiero	248/251
D426,142	S	6/2000	Moore		
6,138,970	A	10/2000	Sohrt et al.		
6,263,523	B1	7/2001	Moore		
6,694,543	B2	2/2004	Moore		
D521,292	S *	5/2006	Ferrer Beltran	D6/546
7,222,376	B1	5/2007	Gunning		
D615,847	S *	5/2010	Tezak et al.	D8/349

* cited by examiner

Primary Examiner — Patricia Palasik

(57) **CLAIM**

The ornamental design for the pair of shower rod support holders, as shown and described.

DESCRIPTION

FIG. 1 is a front view of the pair of shower rod support holders.

FIG. 2 is a rear view of the claimed design.

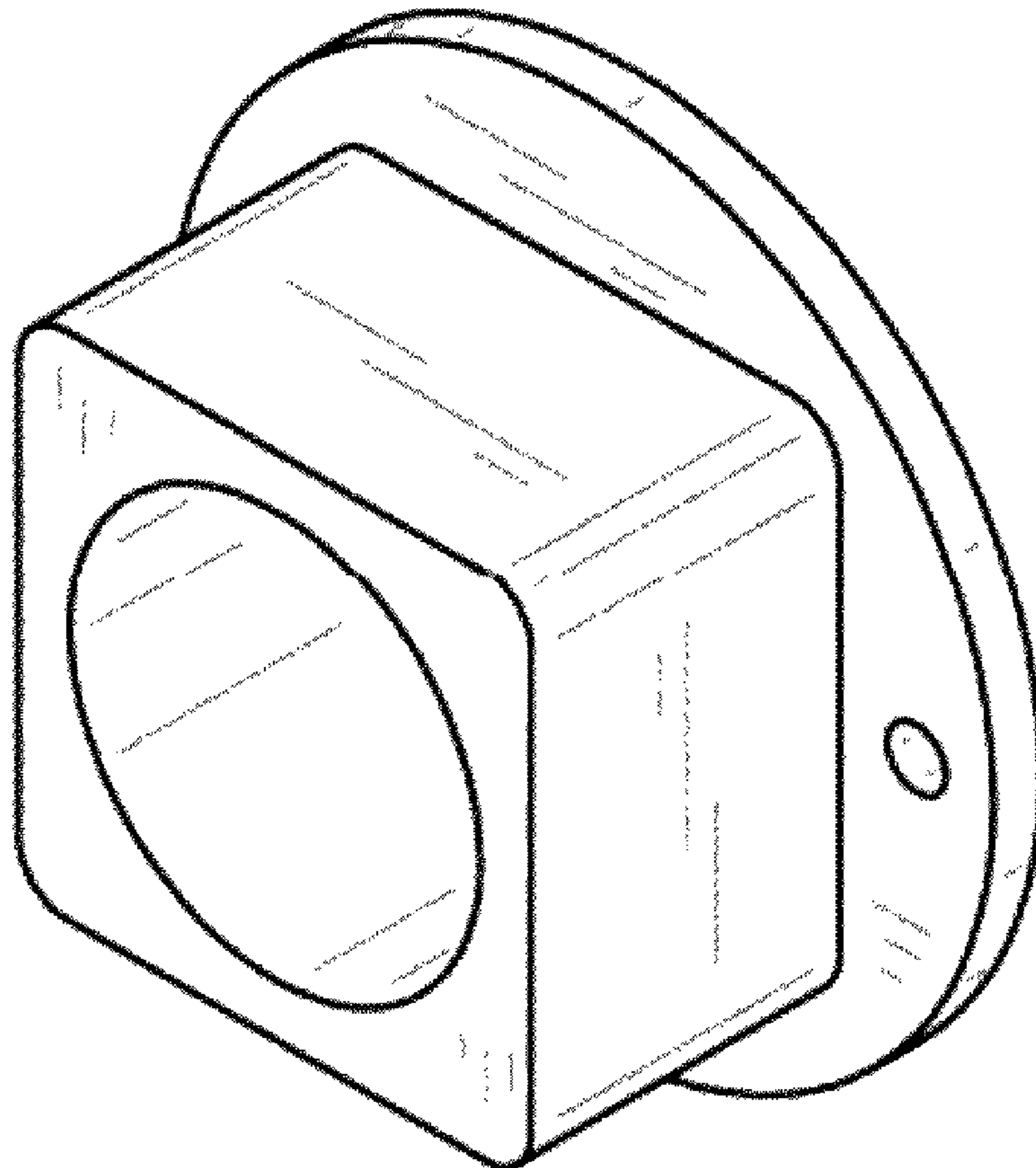
FIG. 3 is a left view of the claimed design.

FIG. 4 is an isometric rear view of the claimed design.

FIG. 5 is an isometric front of the claimed design; and,

FIG. 6 is an isometric view of the claimed design in use with a shower rod in dashed lines, which is environmental matter and forms no part of the claimed design.

1 Claim, 3 Drawing Sheets



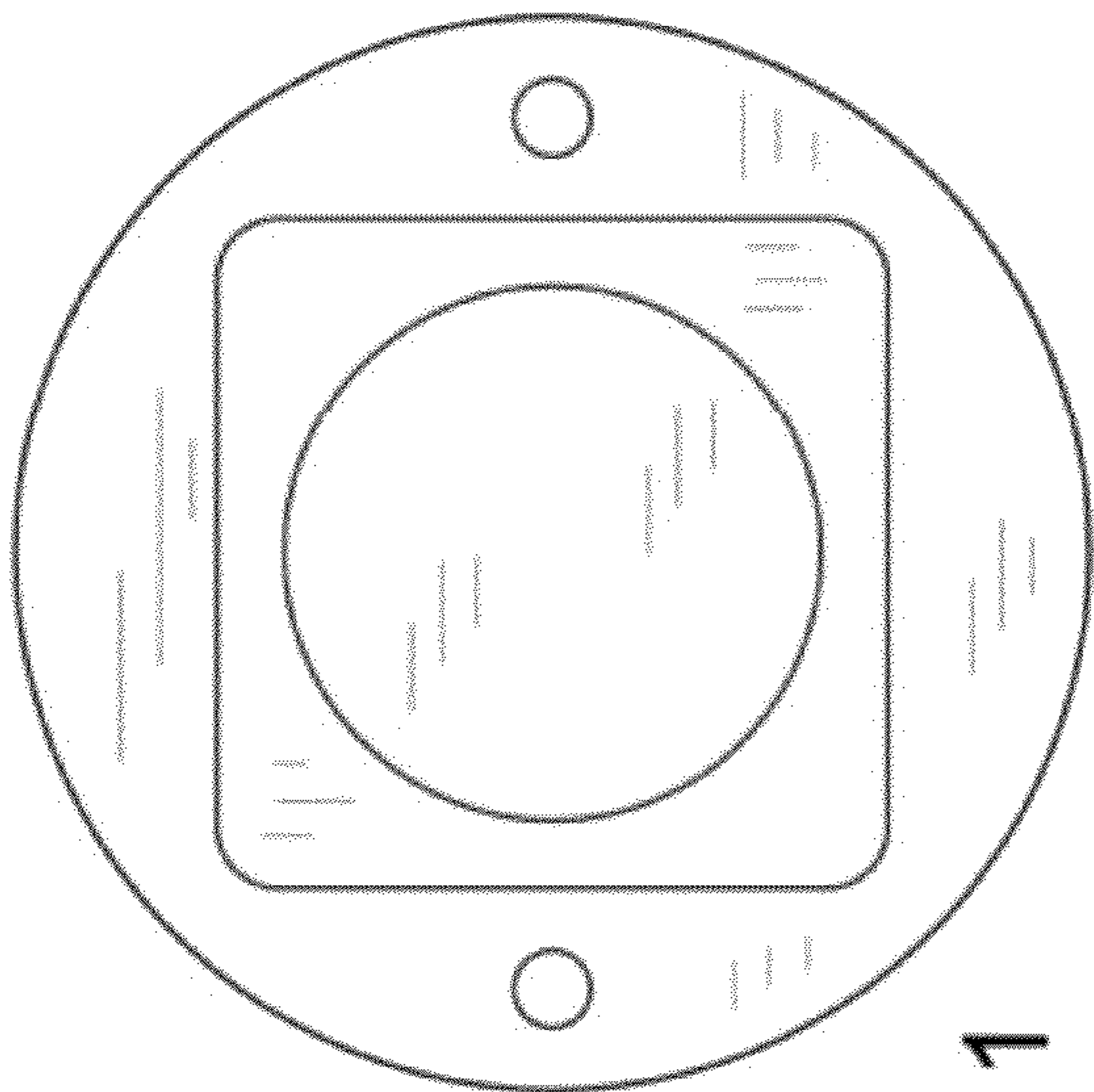


FIG. 1

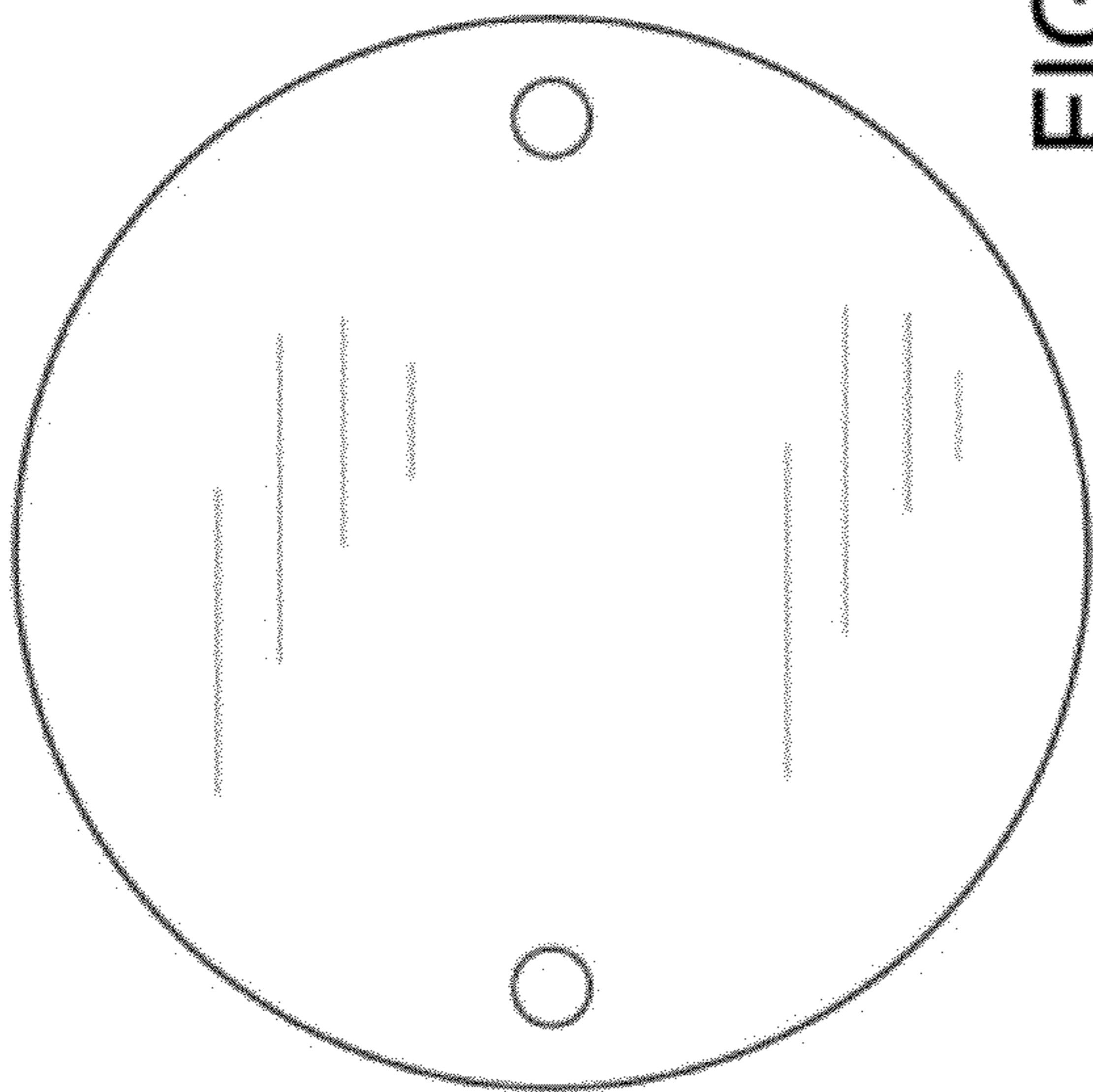


FIG. 2

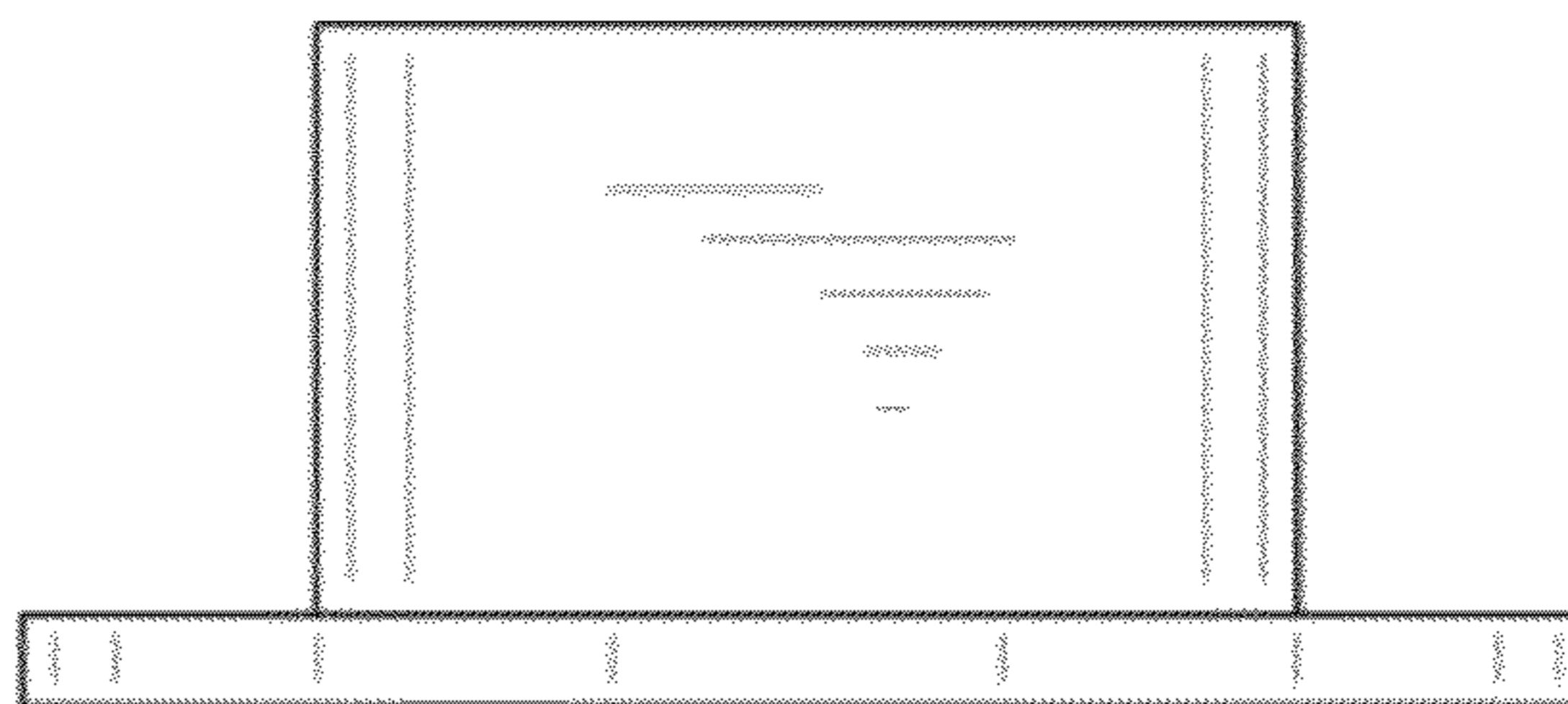


FIG. 3

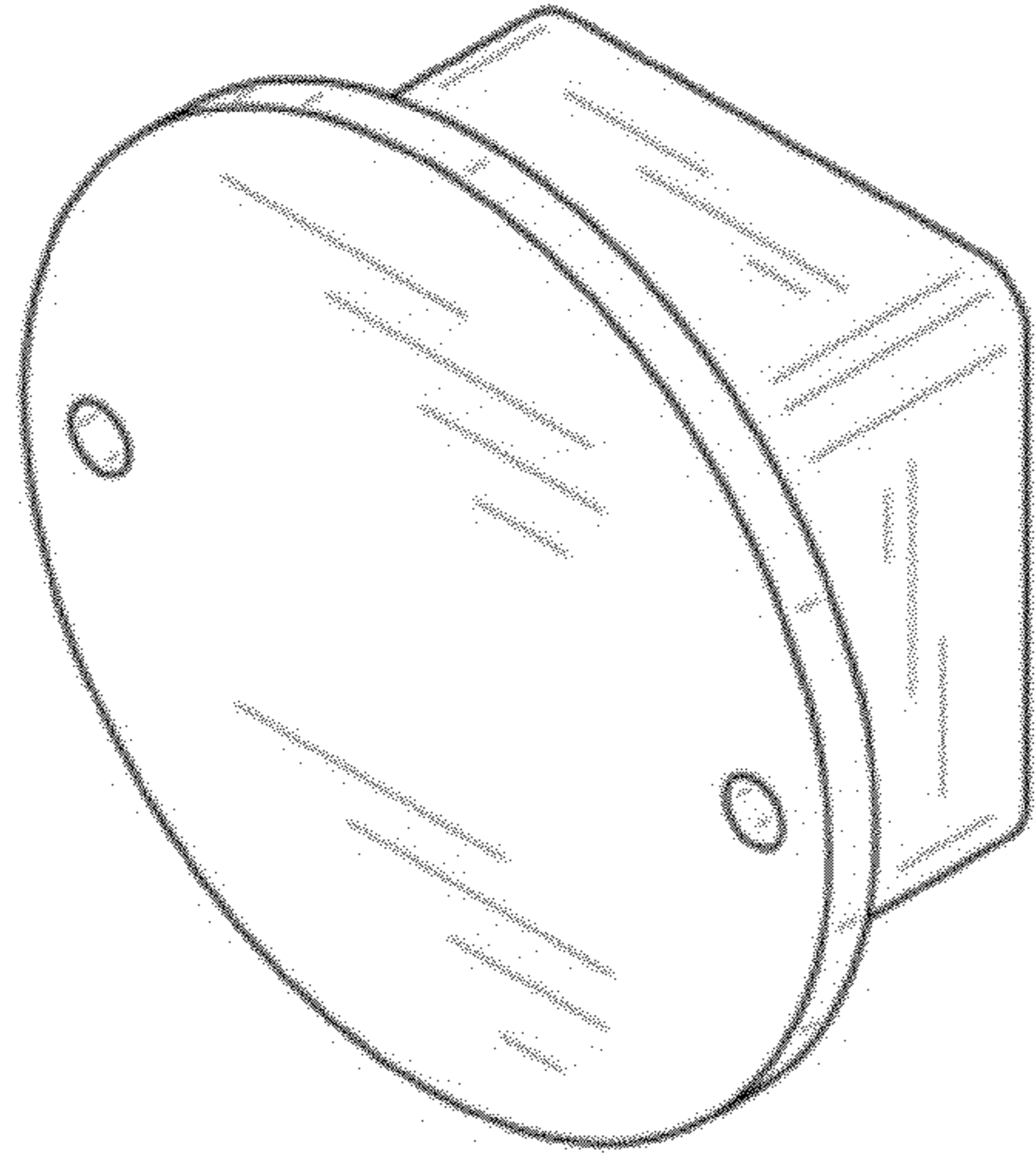


FIG. 4

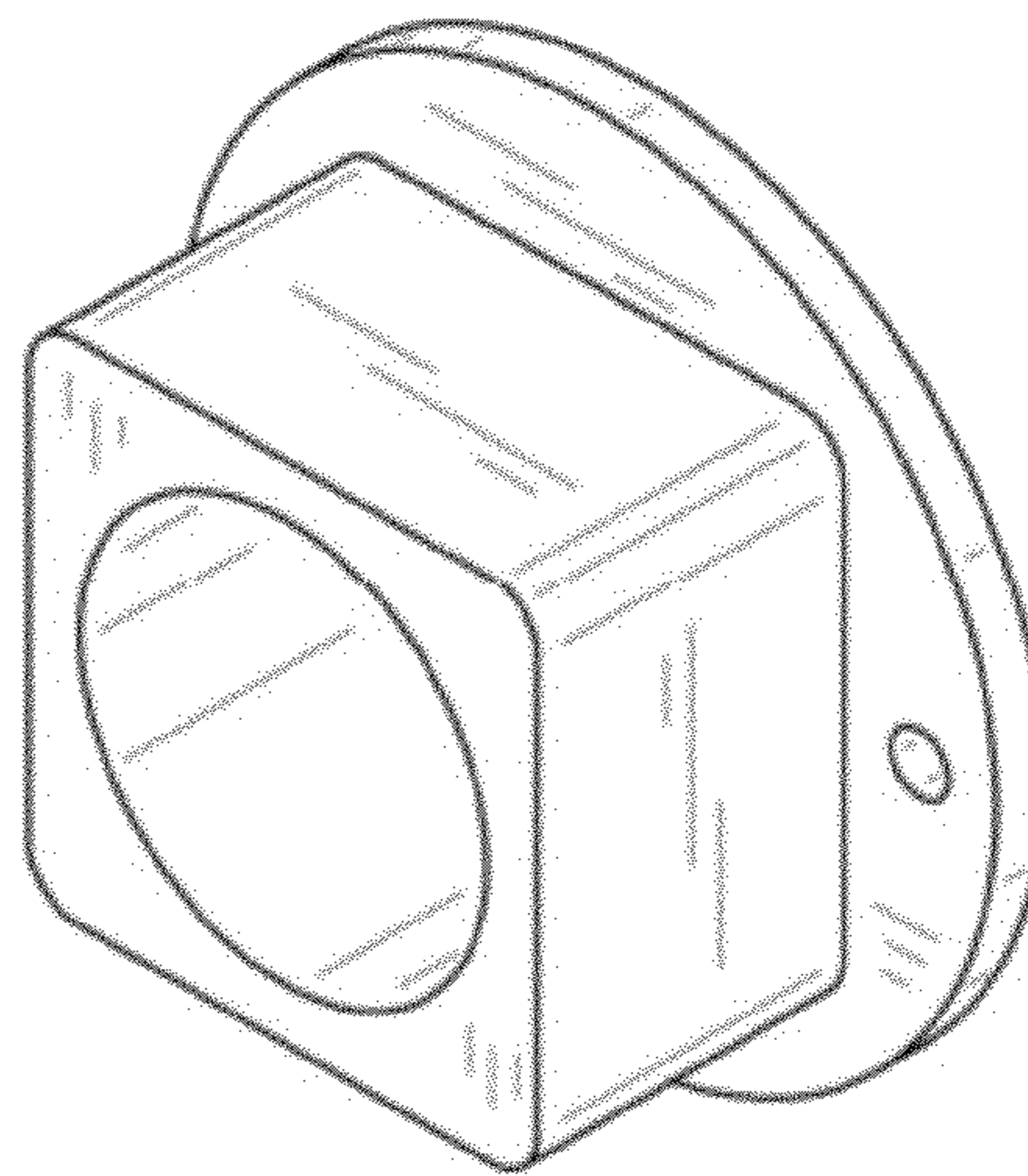


FIG. 5

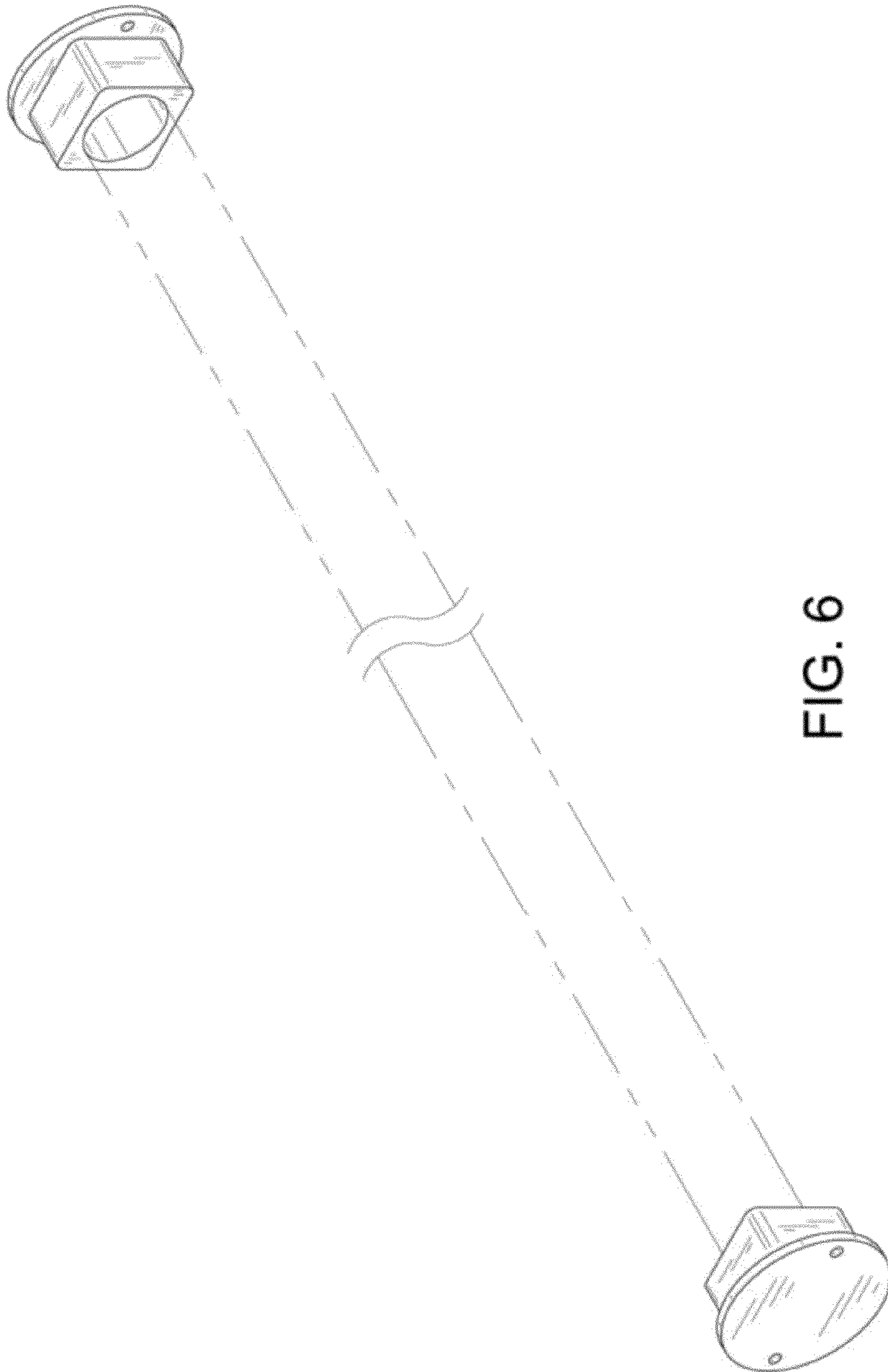


FIG. 6