



US00D657231S

(12) **United States Design Patent**
Springer

(10) **Patent No.:** **US D657,231 S**

(45) **Date of Patent:** **** Apr. 10, 2012**

(54) **BRACKET**

(76) Inventor: **Kristopher Paul Springer**, Spirit Lake, ID (US)

(**) Term: **14 Years**

(21) Appl. No.: **29/365,462**

(22) Filed: **Jul. 9, 2010**

(51) **LOC (9) Cl.** **08-05**

(52) **U.S. Cl.** **D8/354; D8/366; D14/239**

(58) **Field of Classification Search** D8/349,
D8/354, 356, 363, 364, 380-383, 394, 397,
D8/399, 395, 371, 366, 16, 19; 381/87; 361/679.1;
312/107; D14/239, 224, 221; D6/553, 491;
D12/223

See application file for complete search history.

(56) **References Cited**

U.S. PATENT DOCUMENTS

2,253,367	A *	8/1941	Di Prima	83/403.1
3,996,598	A *	12/1976	Sansone	396/544
4,133,550	A *	1/1979	Brown	280/210
4,141,524	A *	2/1979	Corvese, Jr.	248/70
D265,884	S *	8/1982	Mabry	D8/354
D281,317	S *	11/1985	Whitaker	D14/224
D288,893	S *	3/1987	Epstein	D8/17
4,709,853	A *	12/1987	Hahn	232/39
D330,154	S *	10/1992	Wagner	D8/354
D383,952	S *	9/1997	Williams	D8/31
D393,826	S *	4/1998	Carter	D12/223

5,927,730	A *	7/1999	Sattler	280/47.131
D433,405	S *	11/2000	Vieira	D14/224
D453,143	S *	1/2002	Jones	D13/122
6,453,786	B1 *	9/2002	Ceroll et al.	83/473
6,527,237	B2 *	3/2003	Harary et al.	248/221.11
6,557,334	B2 *	5/2003	Jager	56/294
7,032,872	B2 *	4/2006	Sullivan	248/346.07
7,473,234	B1 *	1/2009	Weltner et al.	602/16
D587,273	S *	2/2009	Sculler et al.	D14/451
7,742,615	B1 *	6/2010	Lopez	381/389
D619,123	S *	7/2010	Lau	D14/224
7,823,847	B2 *	11/2010	Bremmon et al.	248/201
7,841,158	B2 *	11/2010	Wilson	56/7
2004/0222675	A1 *	11/2004	Oberheide	296/223
2005/0121935	A1 *	6/2005	Bell	296/78.1
2008/0129158	A1 *	6/2008	Kalkwarf	312/107
2010/0065108	A1 *	3/2010	West et al.	136/251

* cited by examiner

Primary Examiner — Jeffrey D Asch

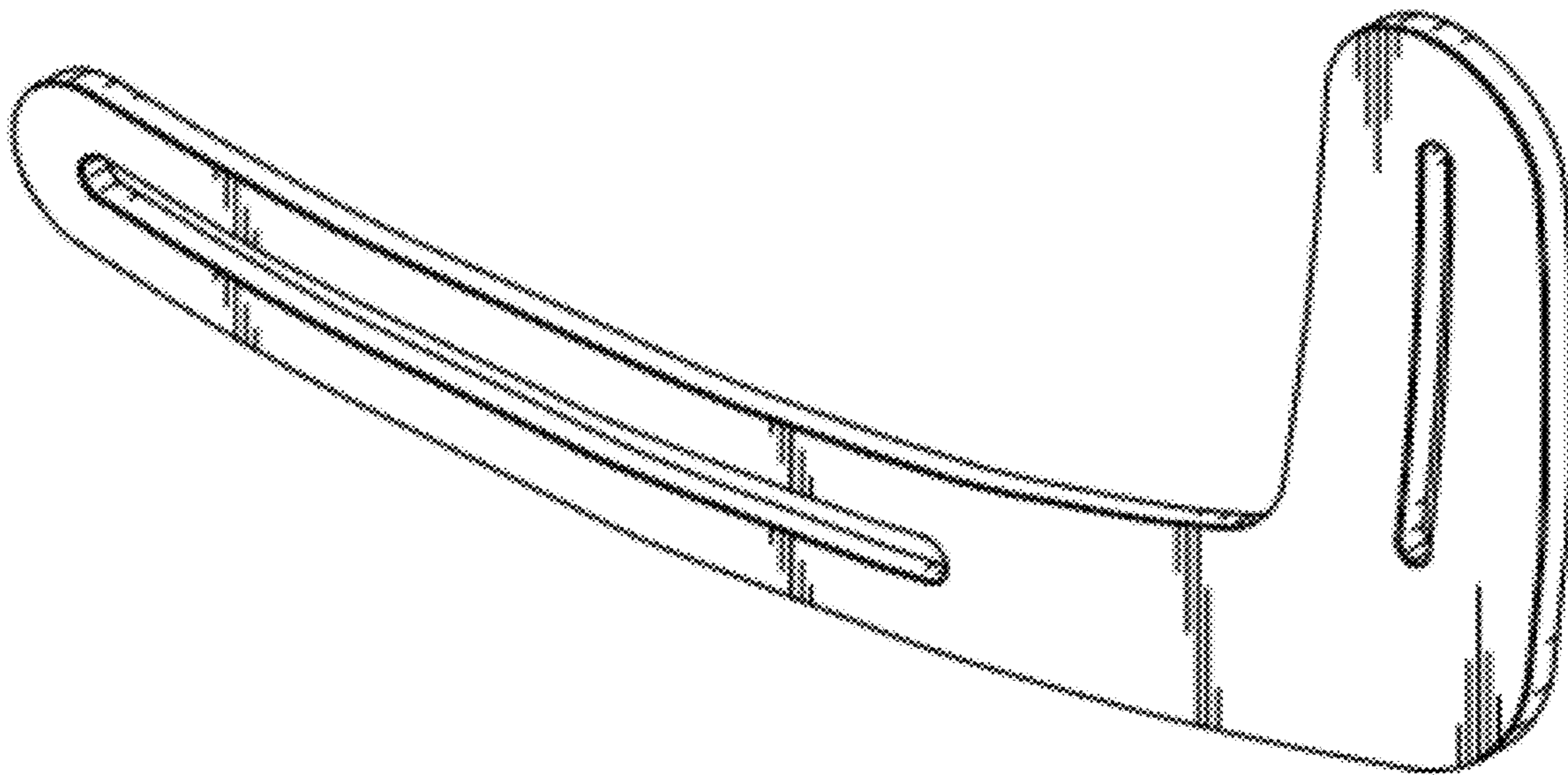
(57) **CLAIM**

The ornamental design for a bracket, as shown and described.

DESCRIPTION

FIG. 1 is a perspective view of the bracket;
FIG. 2 is a top plan view thereof;
FIG. 3 is a left side elevational view thereof;
FIG. 4 is a front view thereof, the rear view being a mirror image of the front view;
FIG. 5 is a right side elevational view thereof; and,
FIG. 6 is a bottom plan view thereof.

1 Claim, 1 Drawing Sheet



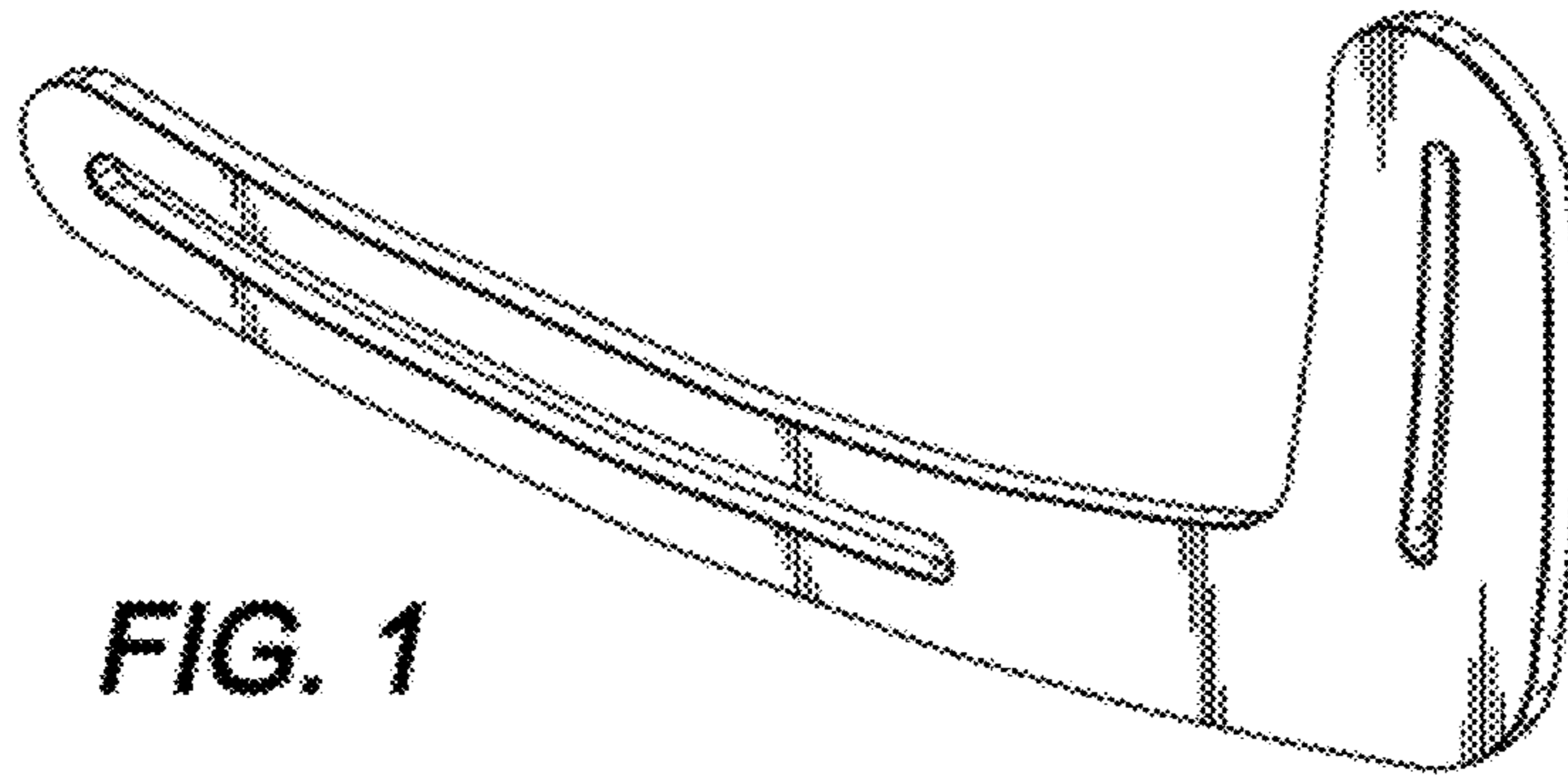


FIG. 1

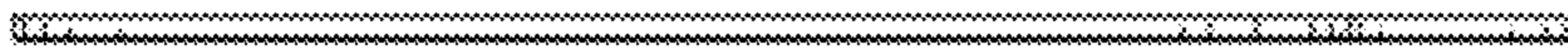


FIG. 2



FIG. 3

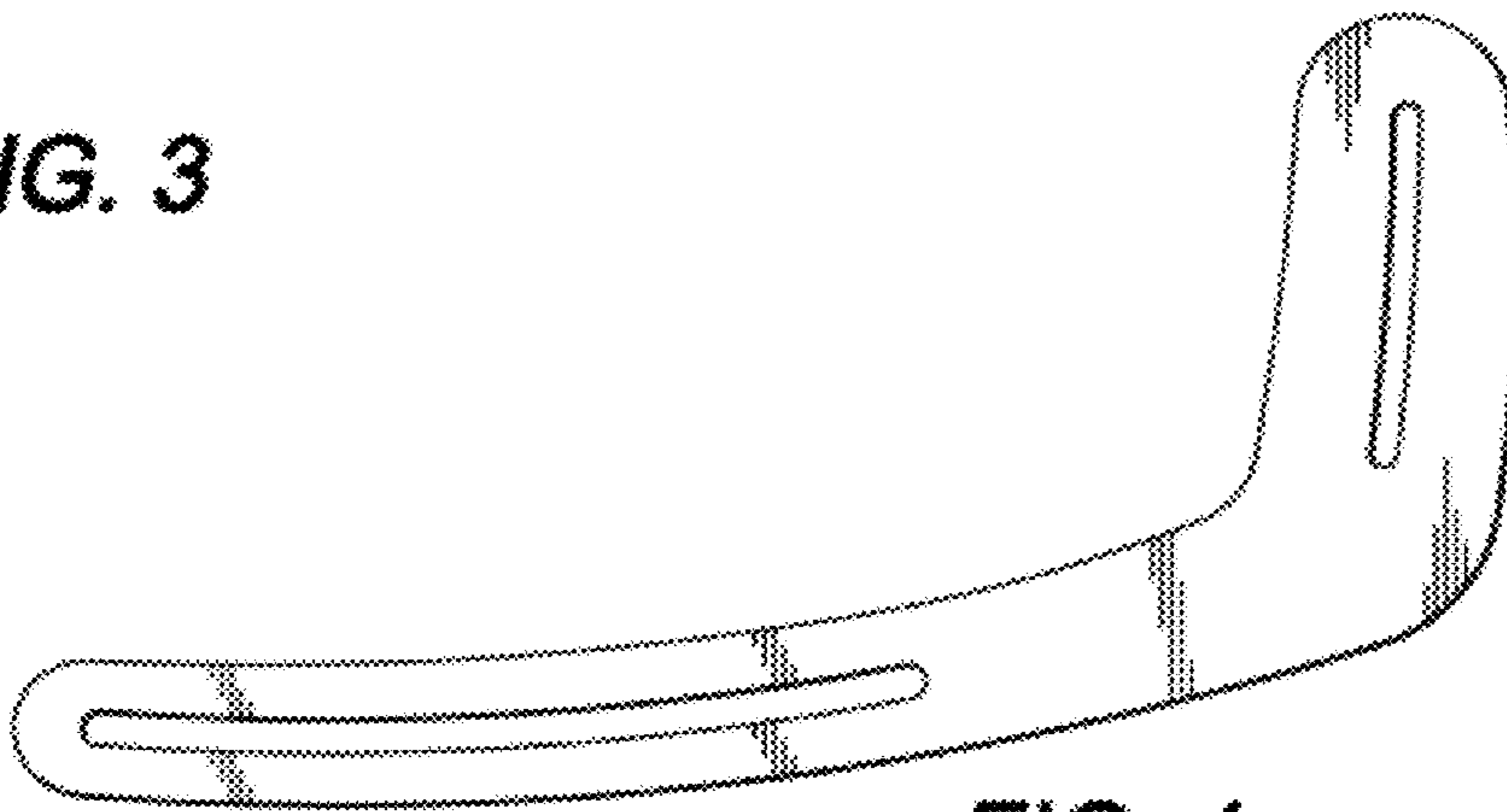


FIG. 4

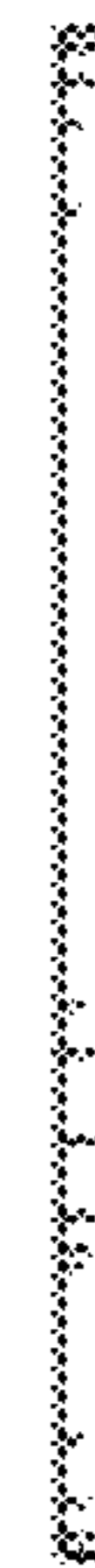


FIG. 5

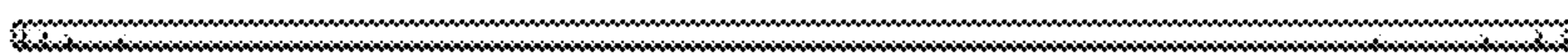


FIG. 6