



US00D657229S

(12) **United States Design Patent**
Chang

(10) **Patent No.:** **US D657,229 S**

(45) **Date of Patent:** **** Apr. 10, 2012**

(54) **SECURITY KEY FOB**

(75) Inventor: **Gen-Yuan Chang**, New Taipei (TW)

(73) Assignee: **Cheng Uei Precision Industry Co., Ltd.**, Taipei (TW)

(**) Term: **14 Years**

(21) Appl. No.: **29/393,586**

(22) Filed: **Jun. 7, 2011**

(51) **LOC (9) Cl.** **08-07**

(52) **U.S. Cl.** **D8/347**

(58) **Field of Classification Search** D8/347,
D8/348, 330, 331; D3/207-212; 70/266,
70/277, 287.2, 287.3, 336, 344, 429, 430,
70/460, 465, 382, 416, 57.1

See application file for complete search history.

(56) **References Cited**

U.S. PATENT DOCUMENTS

D383,895	S	*	9/1997	Christie	D3/208
6,016,676	A	*	1/2000	McConnell	70/408
6,518,882	B2	*	2/2003	Johnson et al.	340/539.1
6,713,895	B1	*	3/2004	Krapfl	307/10.1
D522,235	S	*	6/2006	Kell et al.	D3/211

D531,009	S	*	10/2006	Waldron	D8/347
D560,352	S	*	1/2008	Cadiz et al.	D3/208
D569,425	S	*	5/2008	Law et al.	D19/10
7,634,932	B2	*	12/2009	Cadiz et al.	70/456 R
7,897,888	B2	*	3/2011	Dimig	200/302.2
D635,841	S	*	4/2011	Lindley	D8/347
7,956,743	B2	*	6/2011	Mosteller	340/572.1
D642,374	S	*	8/2011	Morrish et al.	D3/210

* cited by examiner

Primary Examiner — Prabhakar Deshmukh

(74) *Attorney, Agent, or Firm* — WPAT, P.C.; Anthony King

(57) **CLAIM**

The ornamental design for a security key fob, as shown and described.

DESCRIPTION

FIG. 1 is a perspective view of a security key fob showing my new design;

FIG. 2 is a front elevational view thereof;

FIG. 3 is a rear elevational view thereof;

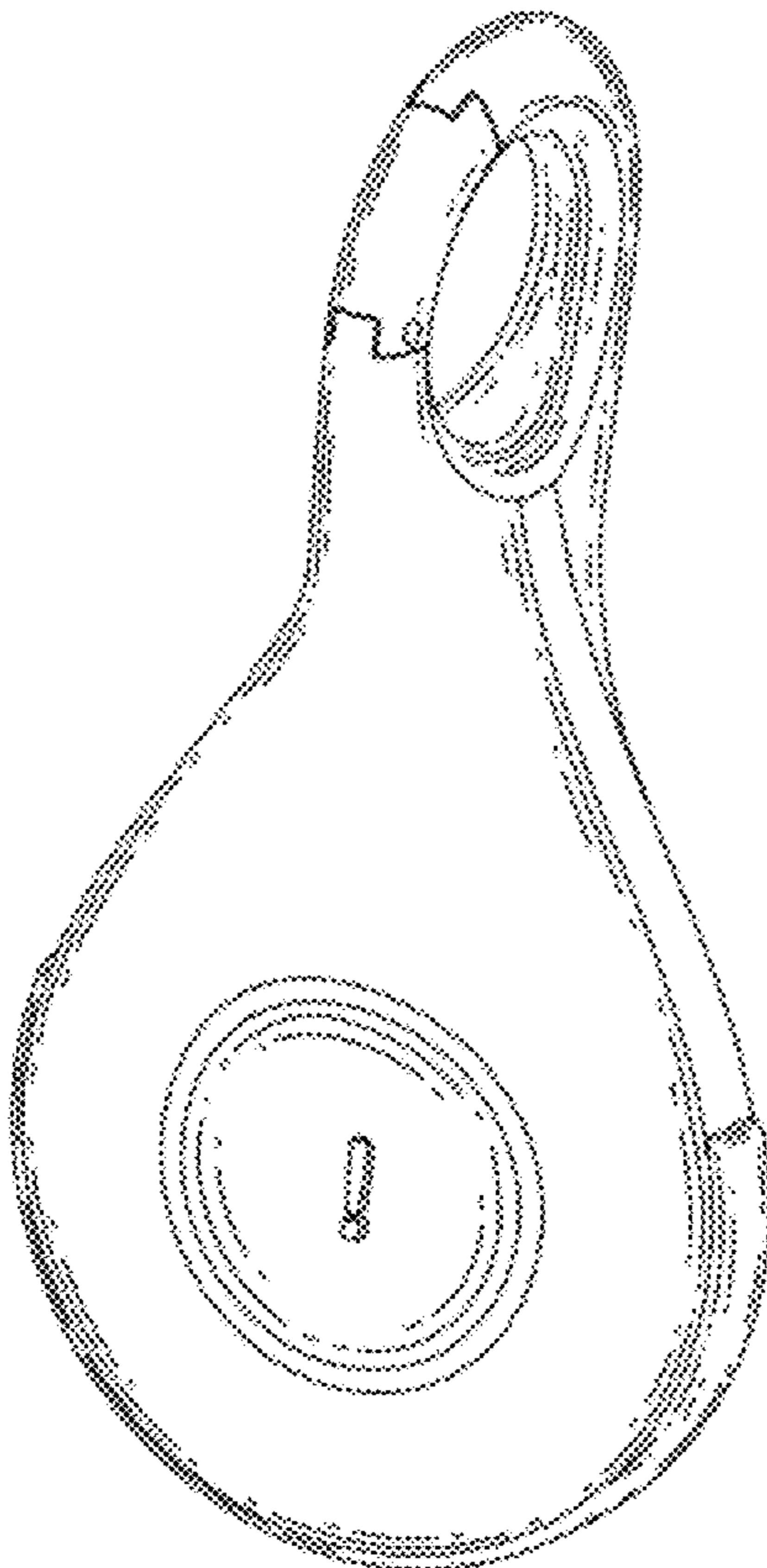
FIG. 4 is a left side elevational view thereof;

FIG. 5 is a right side elevational view thereof;

FIG. 6 is a top plan view thereof; and,

FIG. 7 is a bottom plan view thereof.

1 Claim, 7 Drawing Sheets



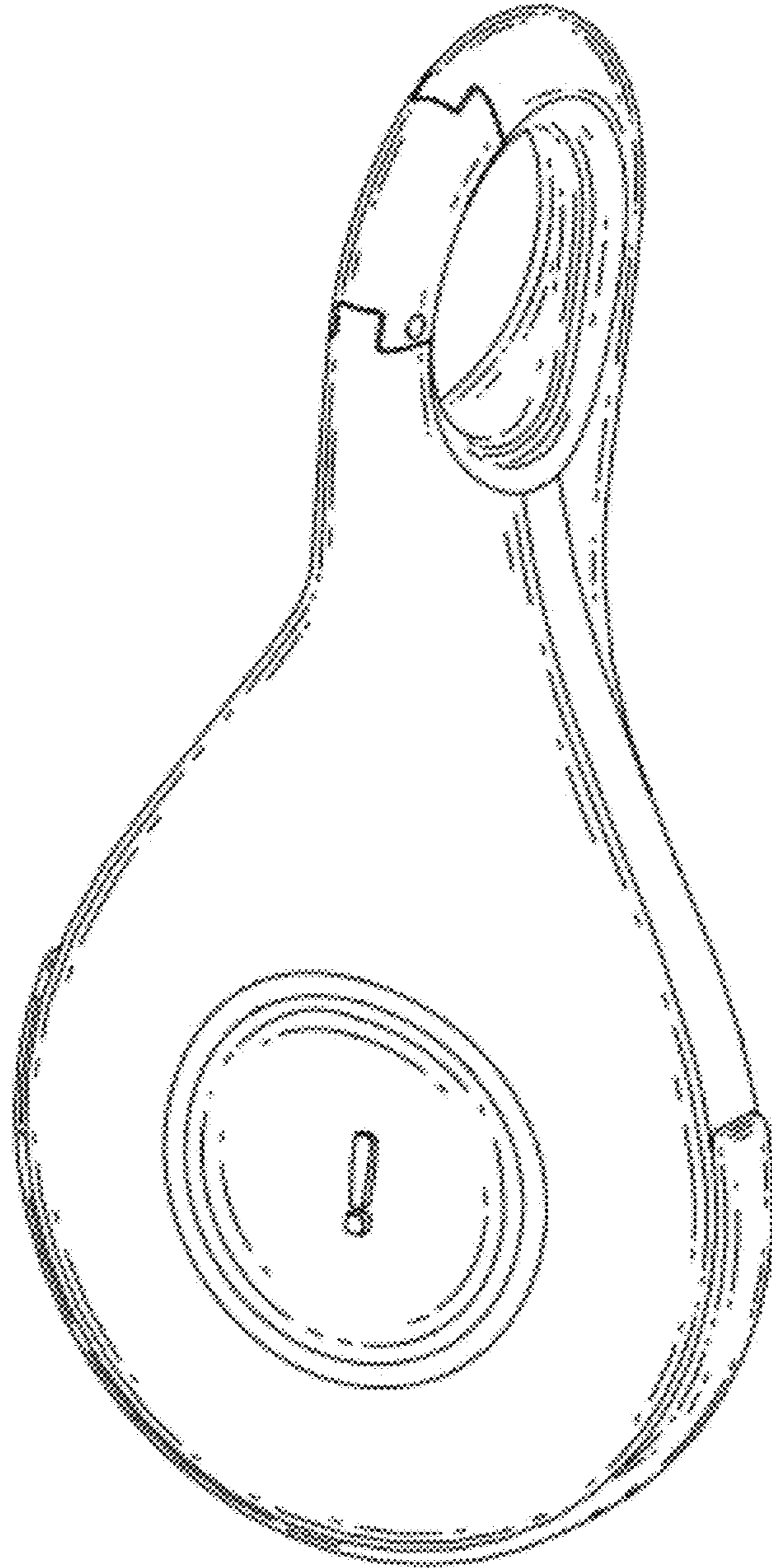


FIG. 1

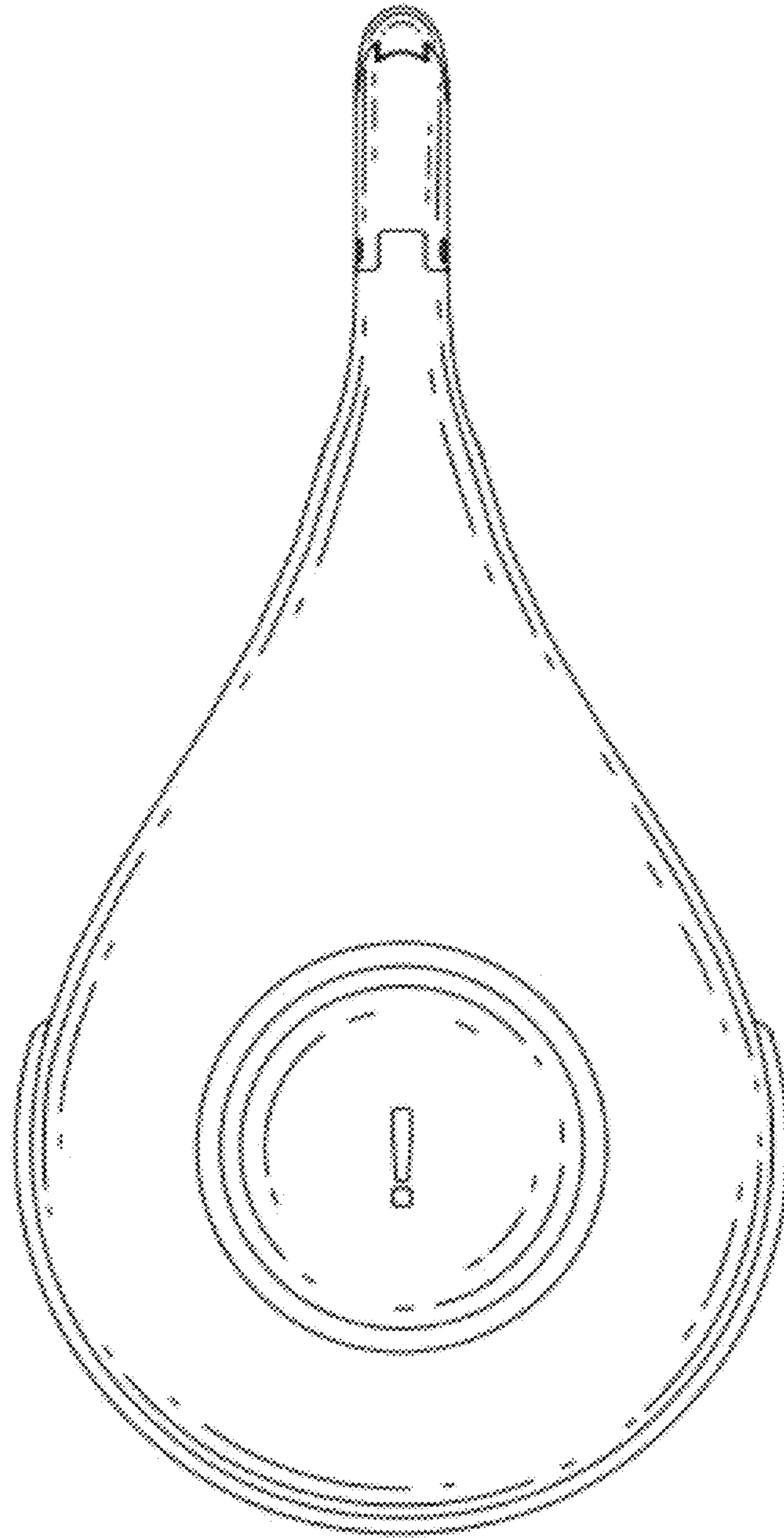


FIG. 2

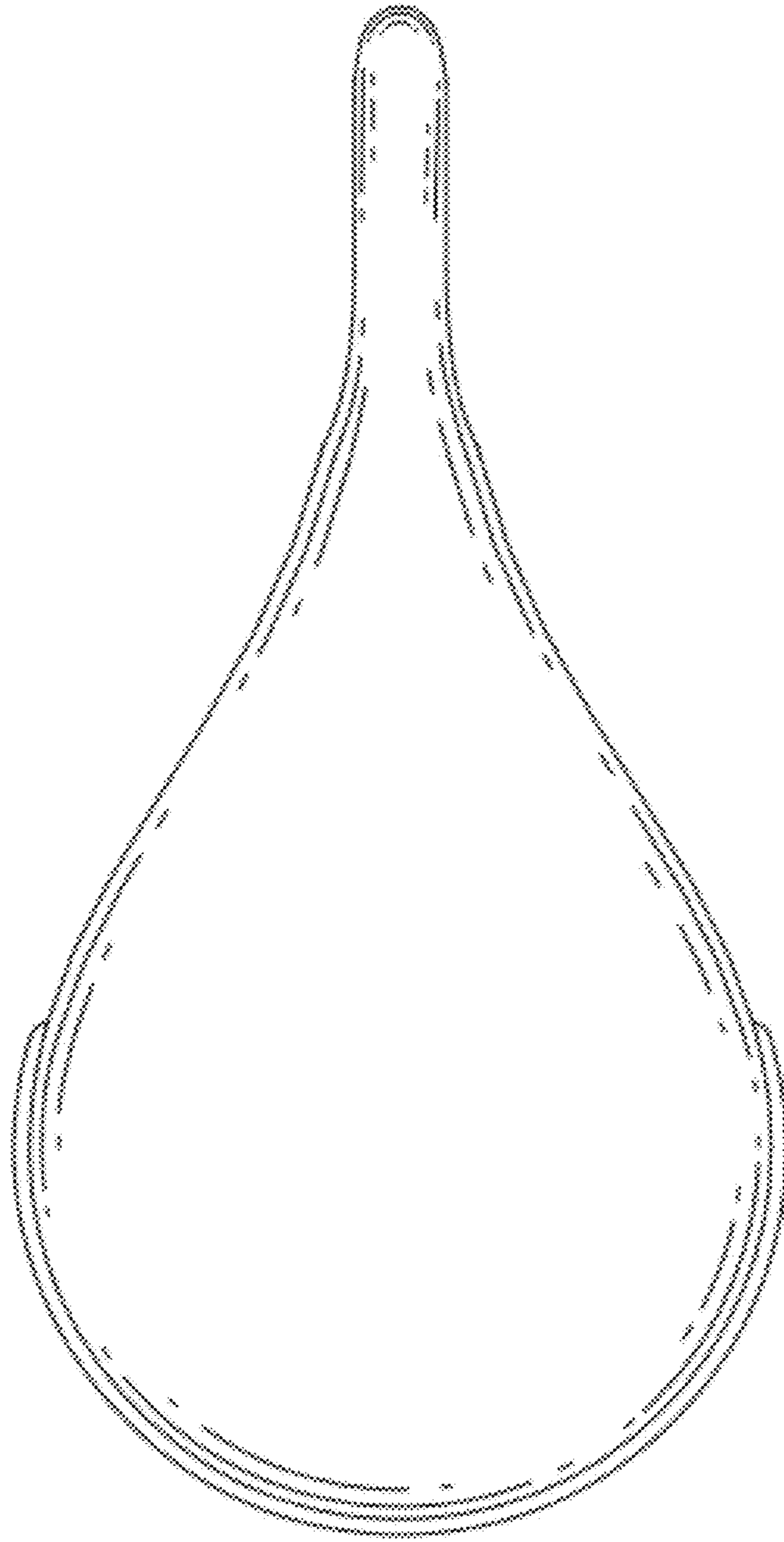


FIG. 3

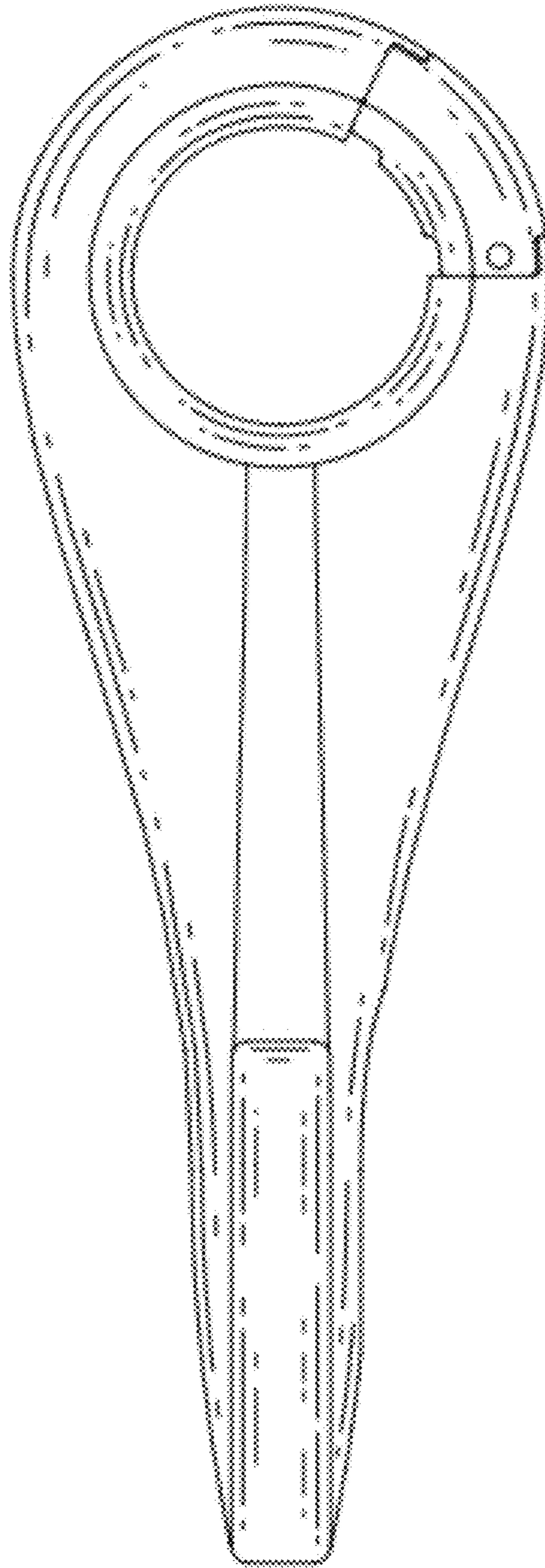


FIG. 4

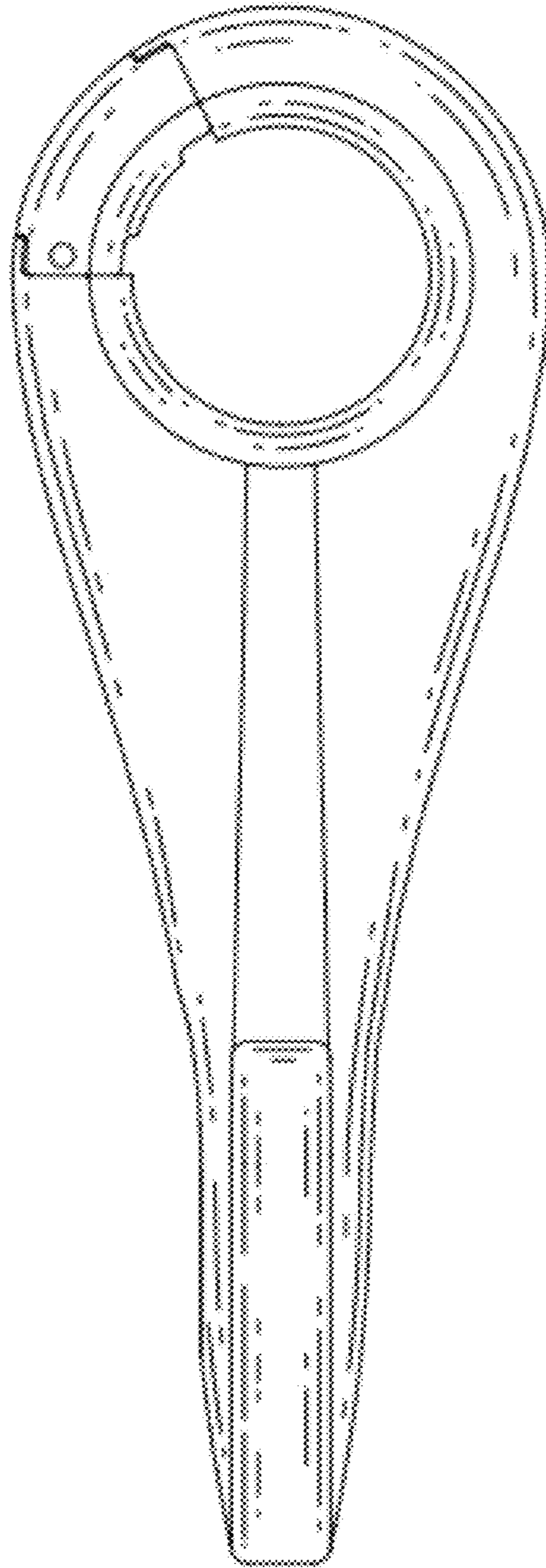


FIG. 5

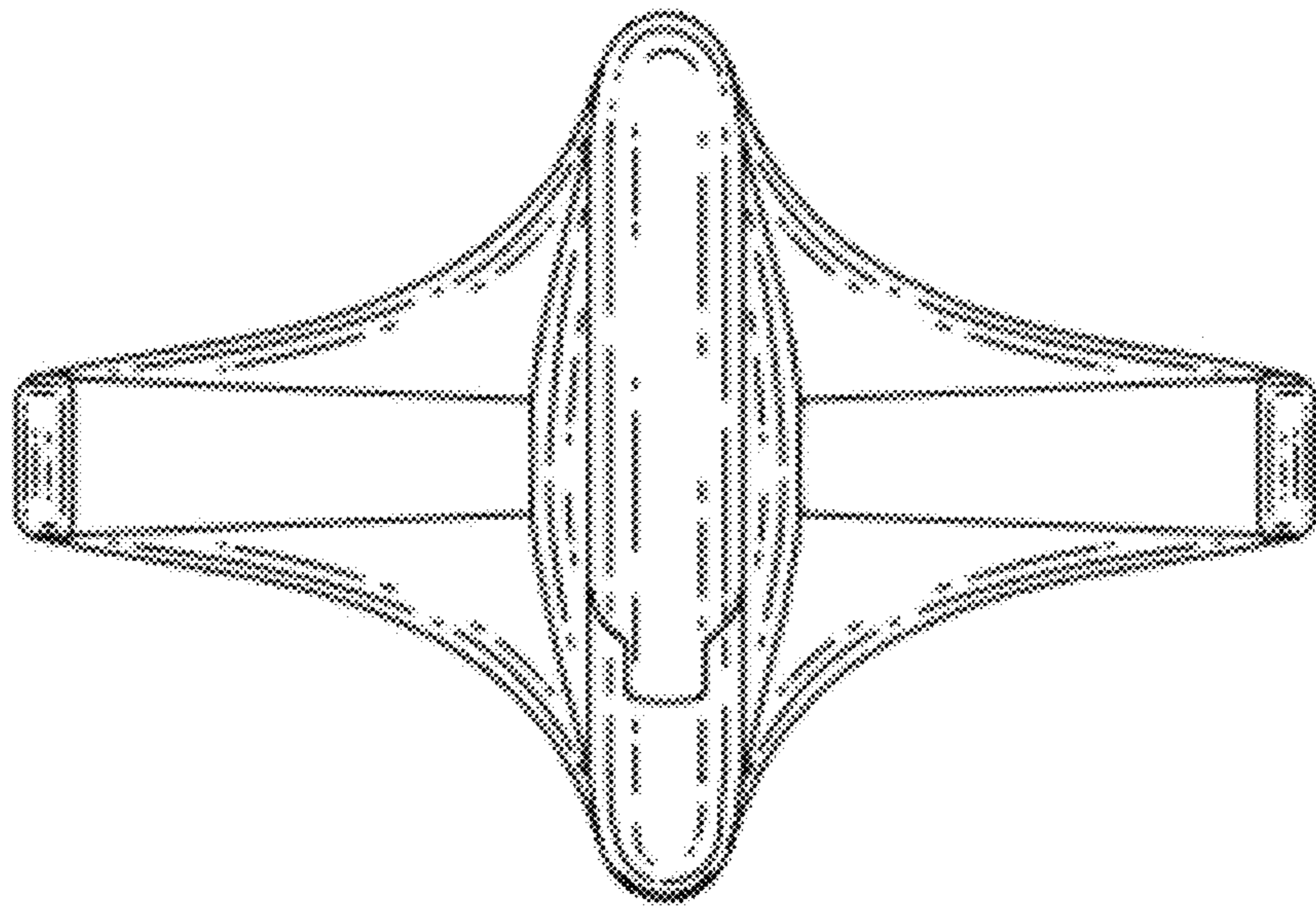


FIG. 6

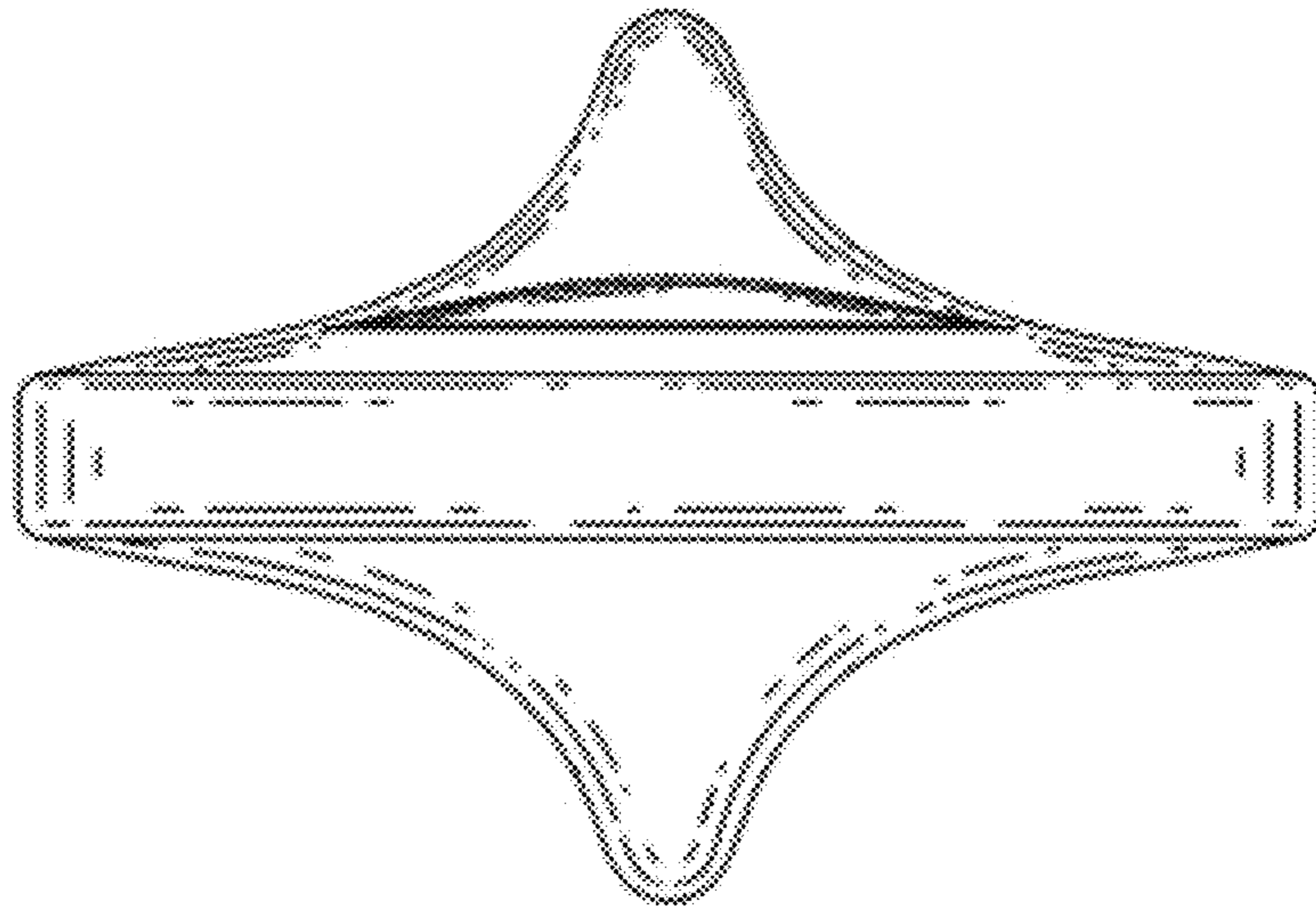


FIG. 7