



US00D657227S

(12) **United States Design Patent**  
**Charette**

(10) **Patent No.:** **US D657,227 S**

(45) **Date of Patent:** **\*\* Apr. 10, 2012**

(54) **LATCH FOR A FENCE**

(76) **Inventor:** **Pierre Charette**, Notre-Dame-du-Mont  
Carmel (CA)

(\*\*) **Term:** **14 Years**

(21) **Appl. No.:** **29/397,424**

(22) **Filed:** **Jul. 15, 2011**

(51) **LOC (9) Cl.** ..... **08-07**

(52) **U.S. Cl.** ..... **D8/339; D8/336; D8/331**

(58) **Field of Classification Search** ..... D8/330,  
D8/331, 336, 339, 343, 349, 302, 354, 499;  
70/14, 19, 51, 57, 57.1, 102, 107, 141, 142,  
70/262, 266, 321, 320, 322, 431, 465, DIG. 80;  
292/32, 63, 92, 137, 289, 290, 292, 358,  
292/359, DIG. 29, DIG. 68, 67, 202, 235,  
292/153, 238

See application file for complete search history.

(56) **References Cited**

**U.S. PATENT DOCUMENTS**

4,014,192	A *	3/1977	Dillon et al.	70/77
4,062,575	A *	12/1977	Robins	292/67
4,083,591	A *	4/1978	Parisien	292/202
D303,349	S *	9/1989	Weinerman et al.	D8/331
4,938,508	A *	7/1990	Thomas	292/235
D324,166	S *	2/1992	Greco	D8/331
5,593,141	A *	1/1997	Cain et al.	256/26
D394,796	S *	6/1998	Alford et al.	D8/331
5,794,990	A *	8/1998	Coppedge	292/153

6,058,747	A *	5/2000	Doyle et al.	70/137
D452,641	S *	1/2002	Portenier	D8/341
6,752,438	B2 *	6/2004	DeSouza	292/238

\* cited by examiner

*Primary Examiner* — Prabhakar Deshmukh

(74) *Attorney, Agent, or Firm* — Welsh Flaxman & Gitler  
LLC

(57) **CLAIM**

The ornamental design for a latch for a fence, as shown and described.

**DESCRIPTION**

FIG. 1 is a front view of a latch for a fence showing my new design.

FIG. 2 is a rear view of a latch for a fence.

FIG. 3 is a left side view of a latch for a fence.

FIG. 4 is a right side view of a latch for a fence without the upper clip.

FIG. 5 is a top view of a latch for a fence.

FIG. 6 is a bottom view of a latch for a fence.

FIG. 7 is a perspective rear view of a latch for a fence.

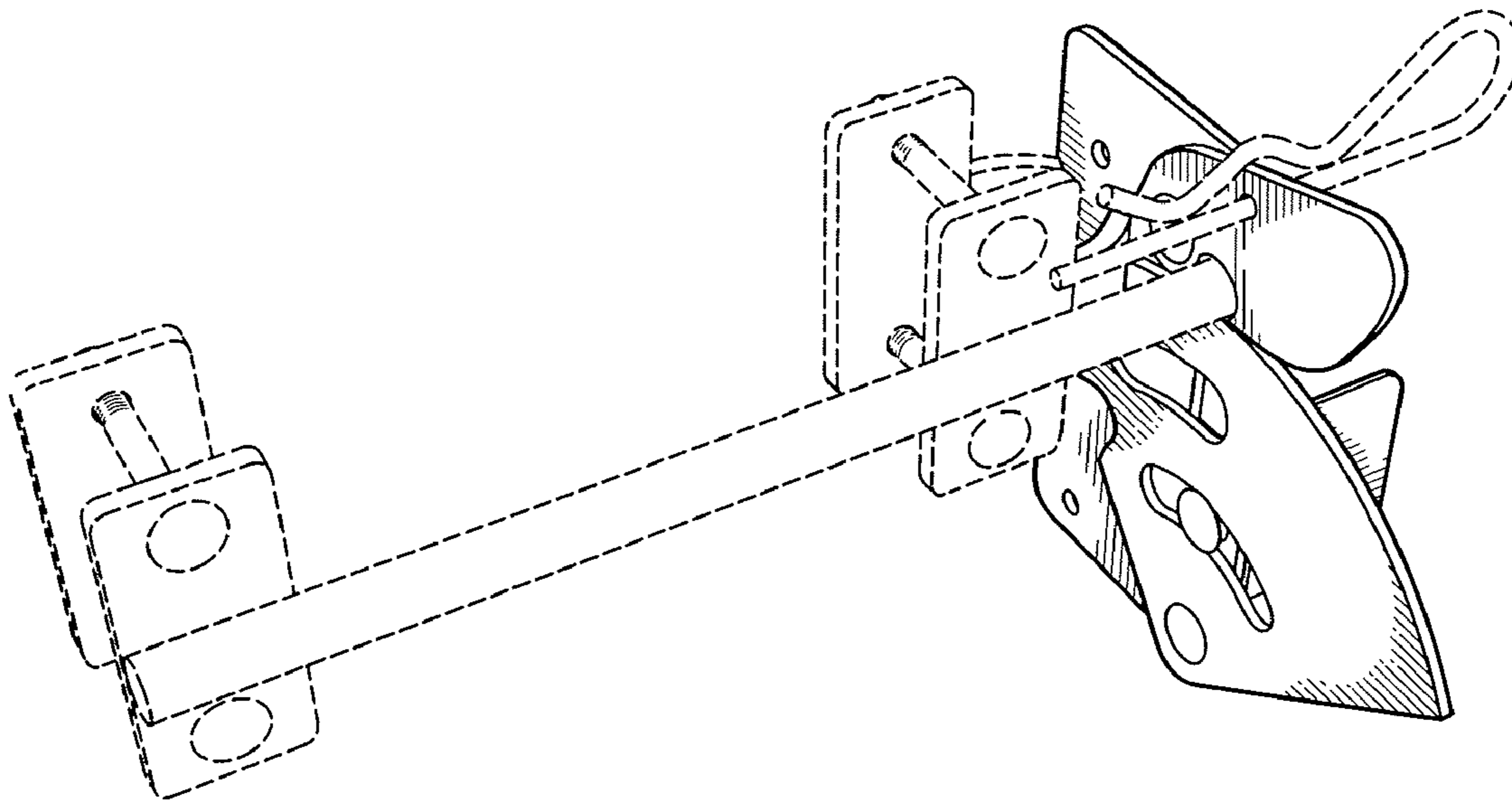
FIG. 8 is a perspective front view of a latch for a fence.

FIG. 9 is a perspective view of a latch for a fence; and,

FIG. 10 is a perspective front view of a latch for a fence in an open position with surrounding environment.

The parts in broken lines are for illustrative purposes and they do not form part of the claimed design.

**1 Claim, 6 Drawing Sheets**



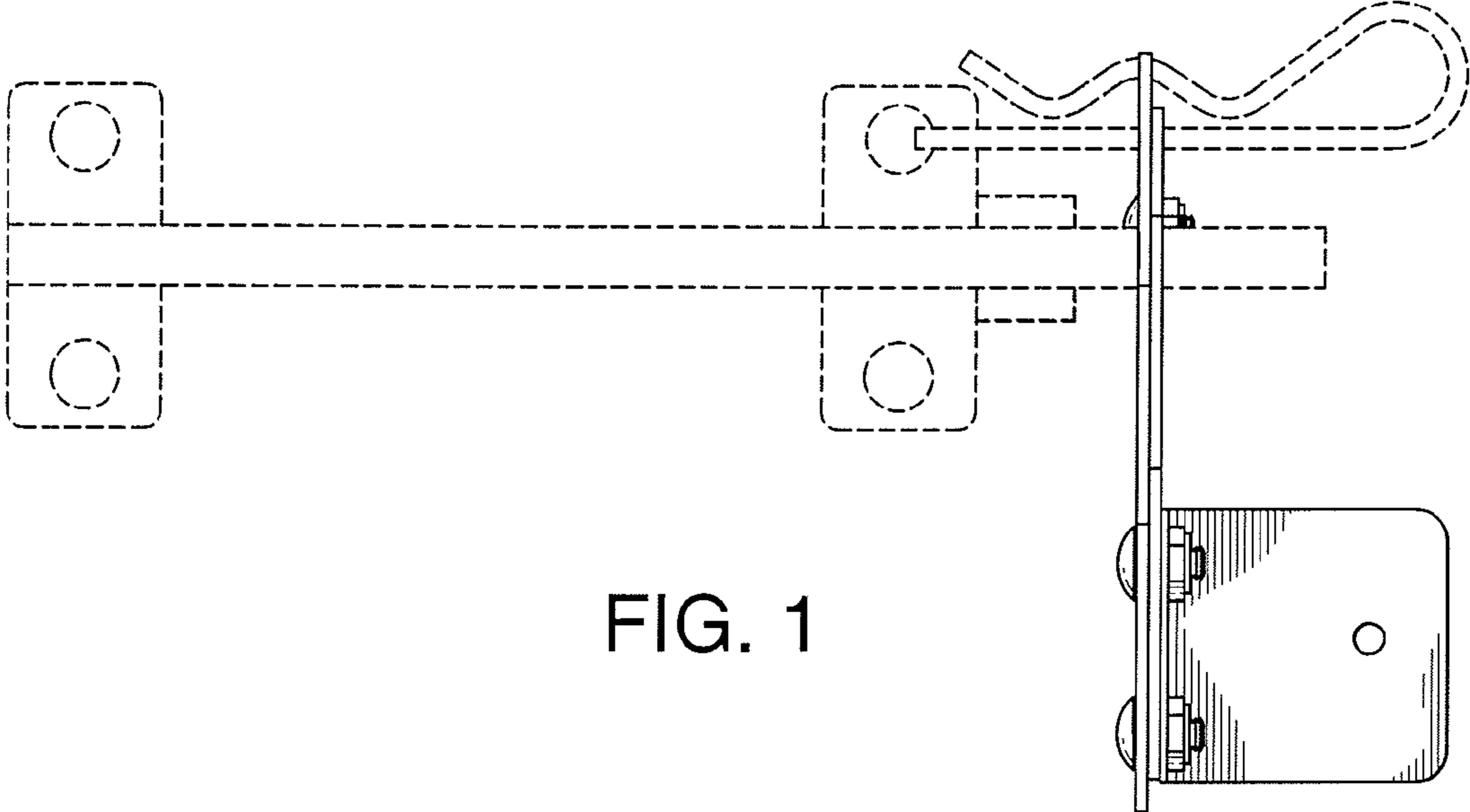


FIG. 1

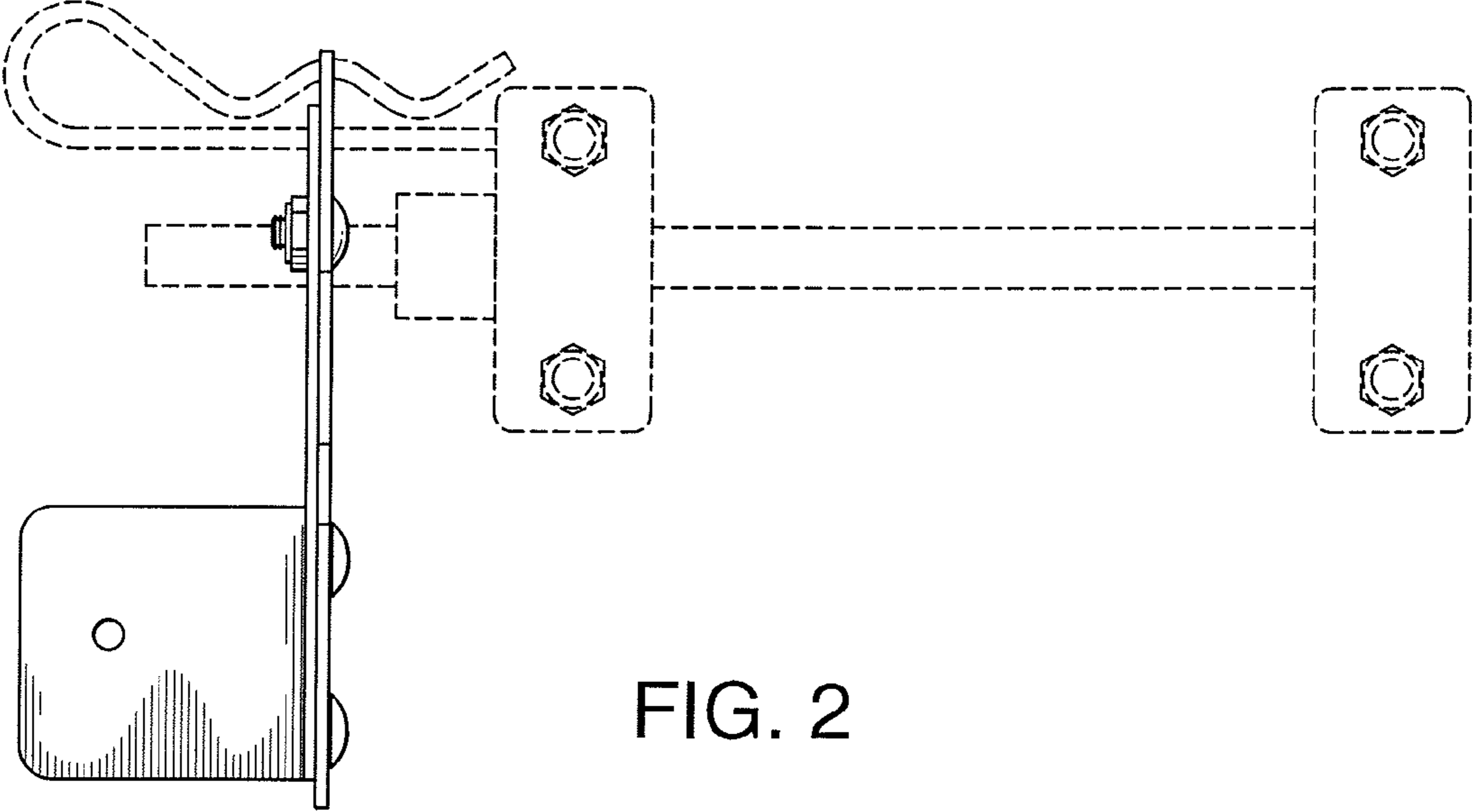


FIG. 2

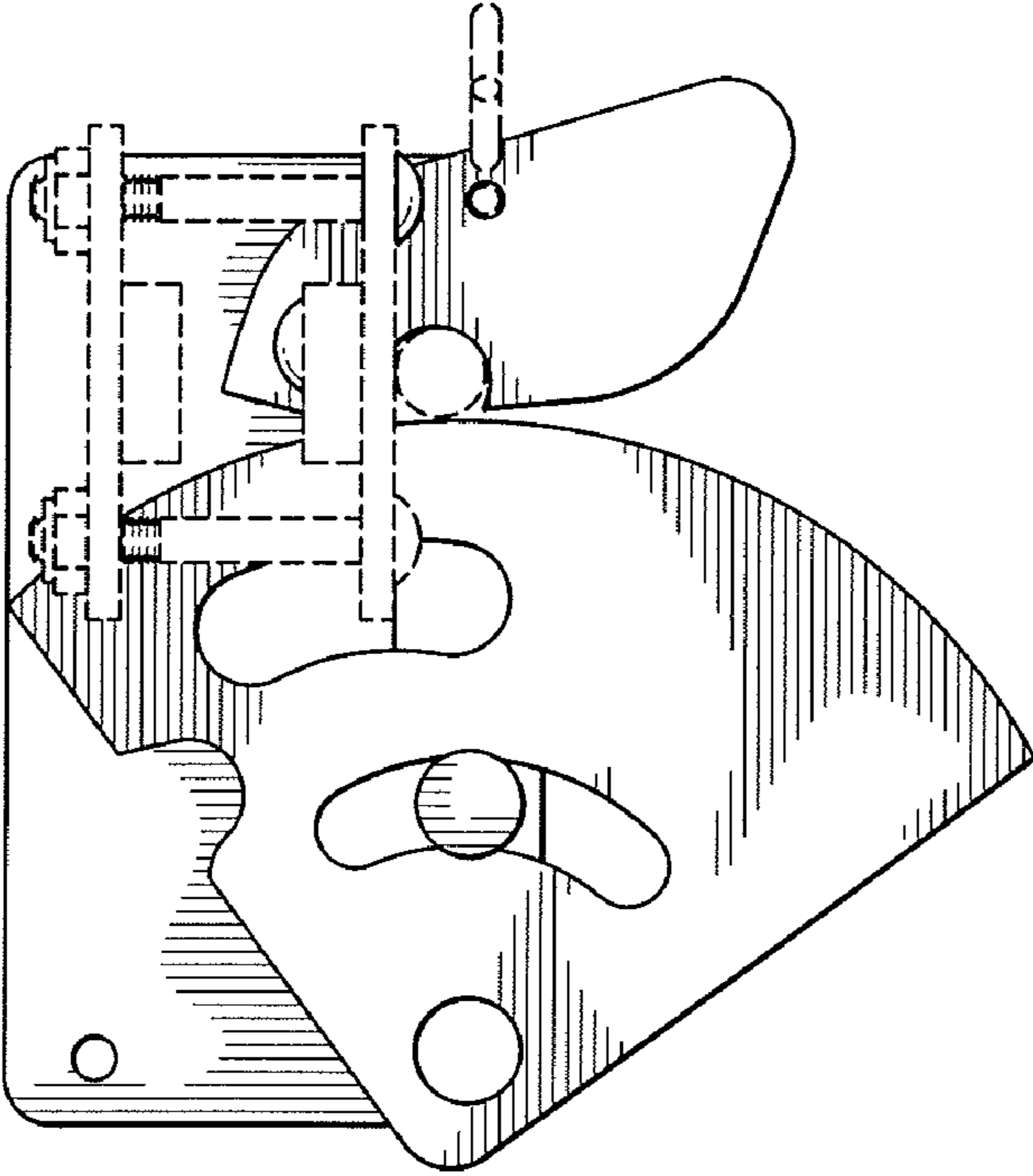


FIG. 3

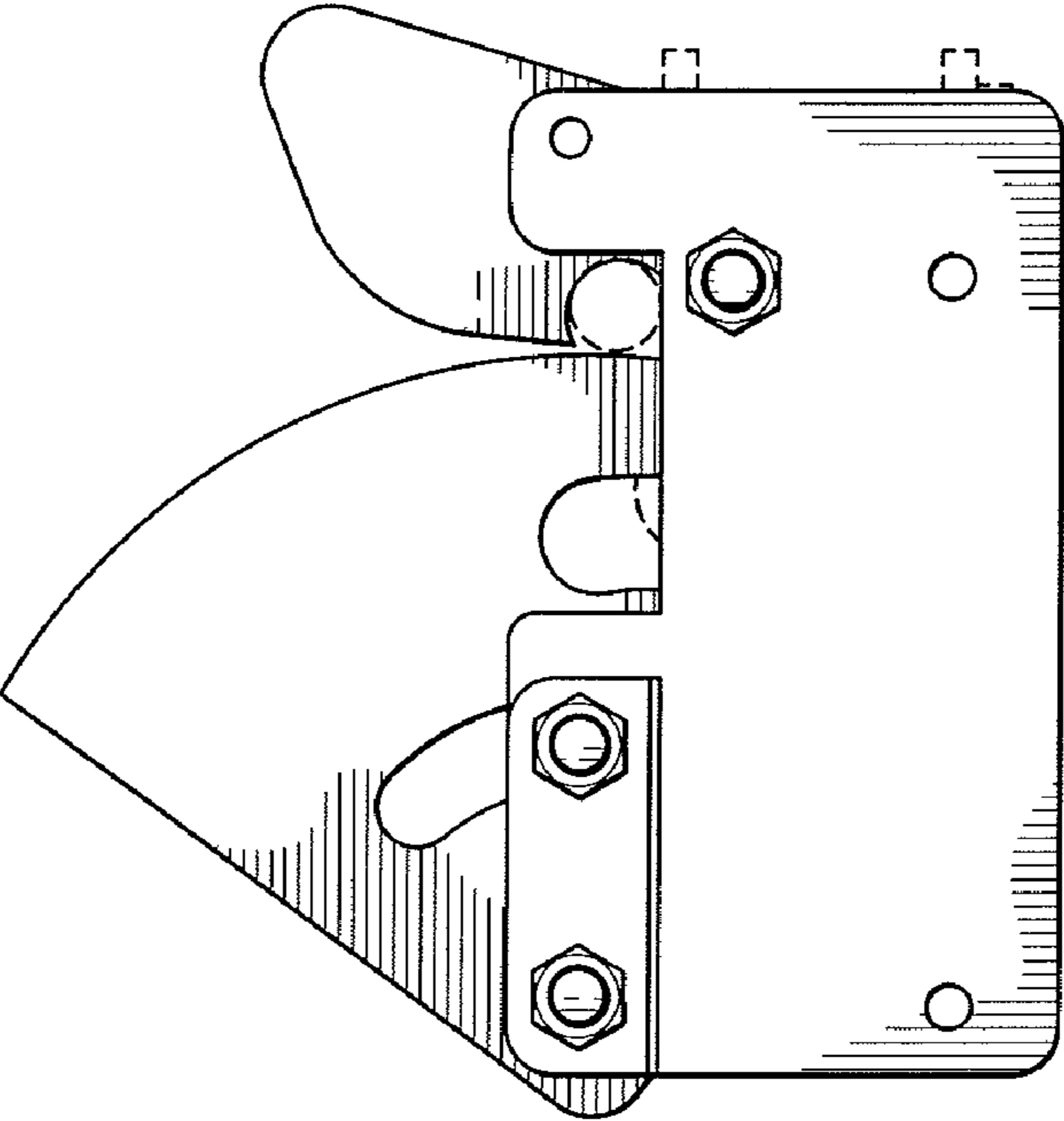
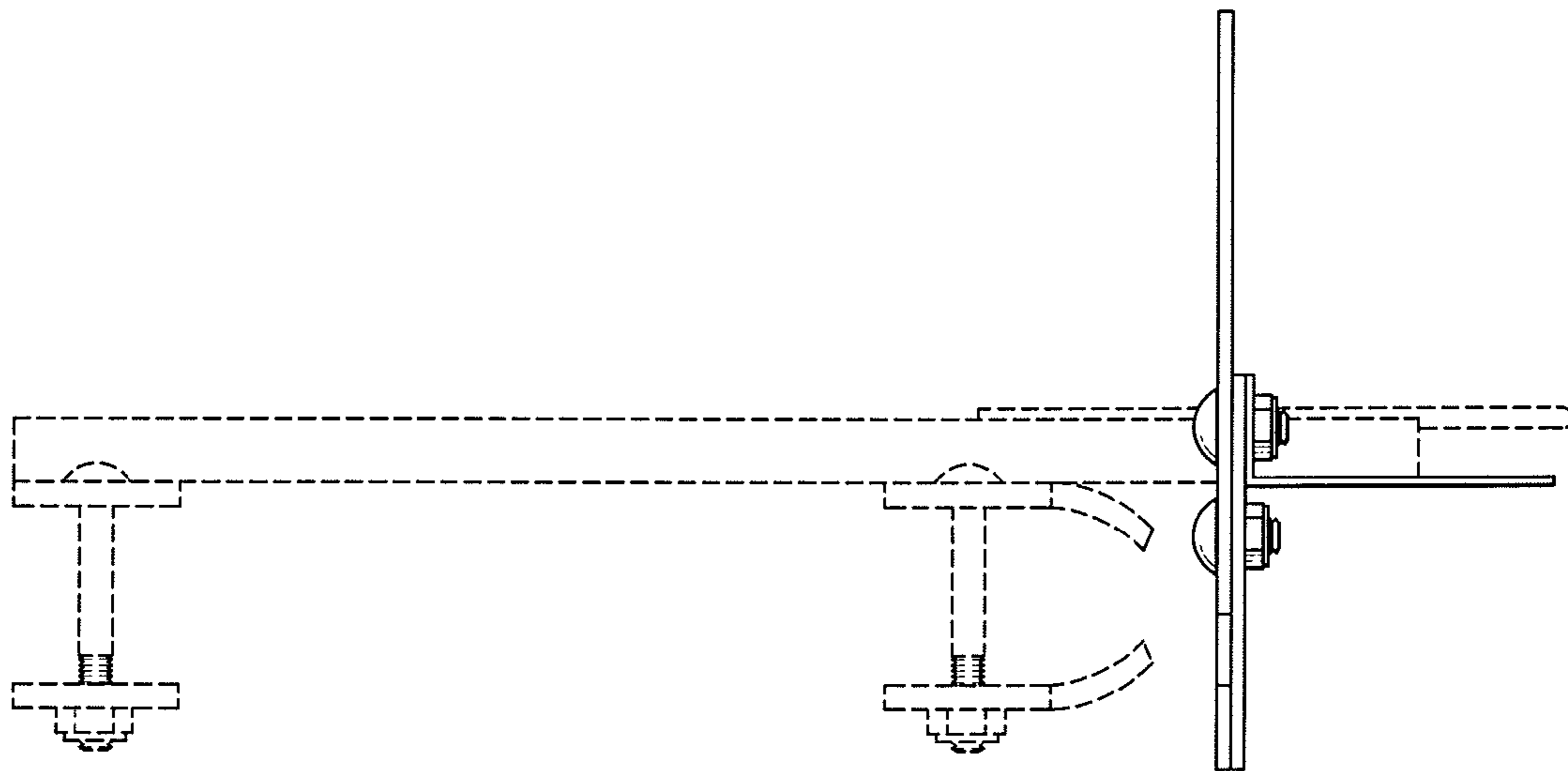
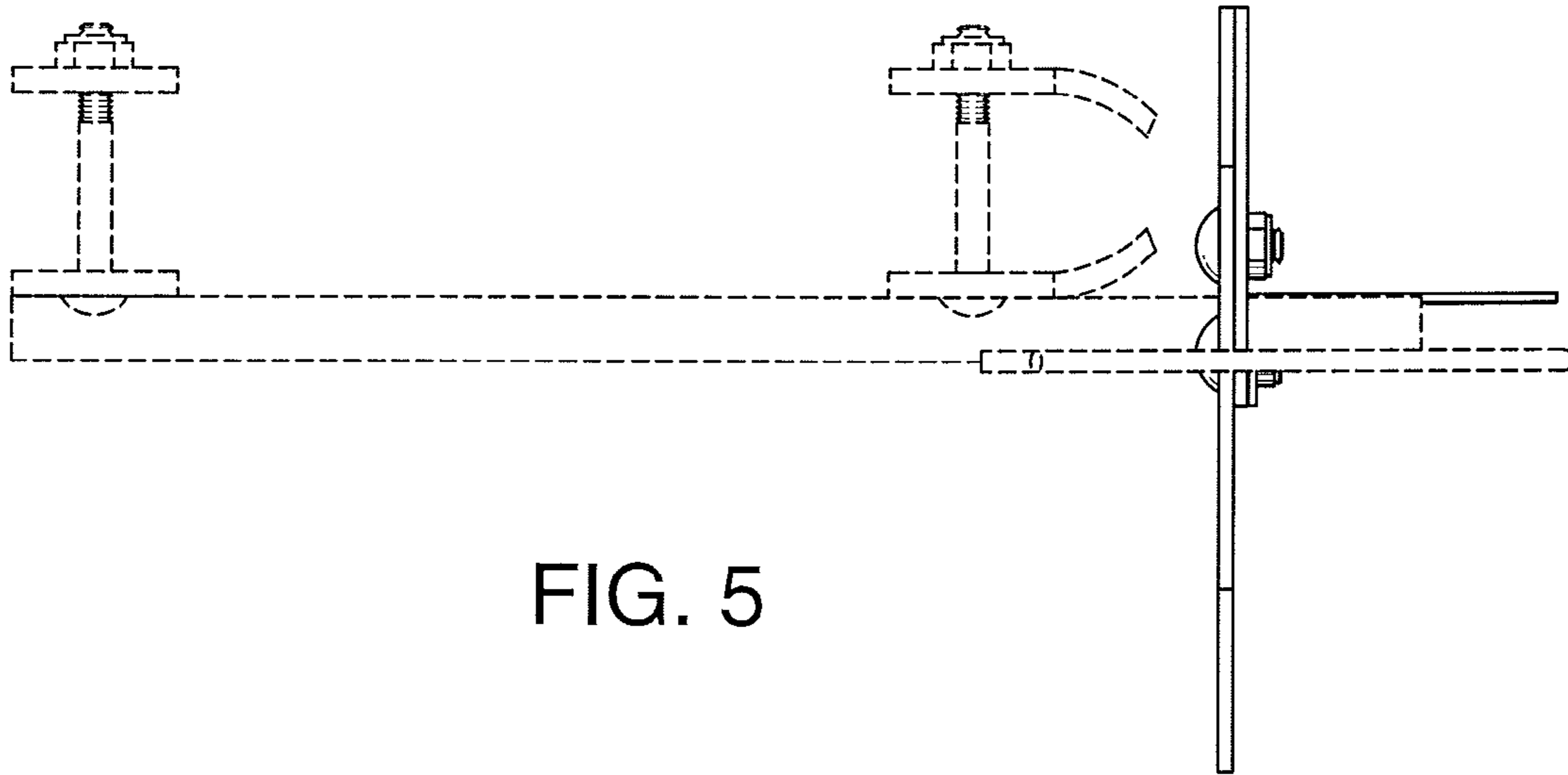


FIG. 4



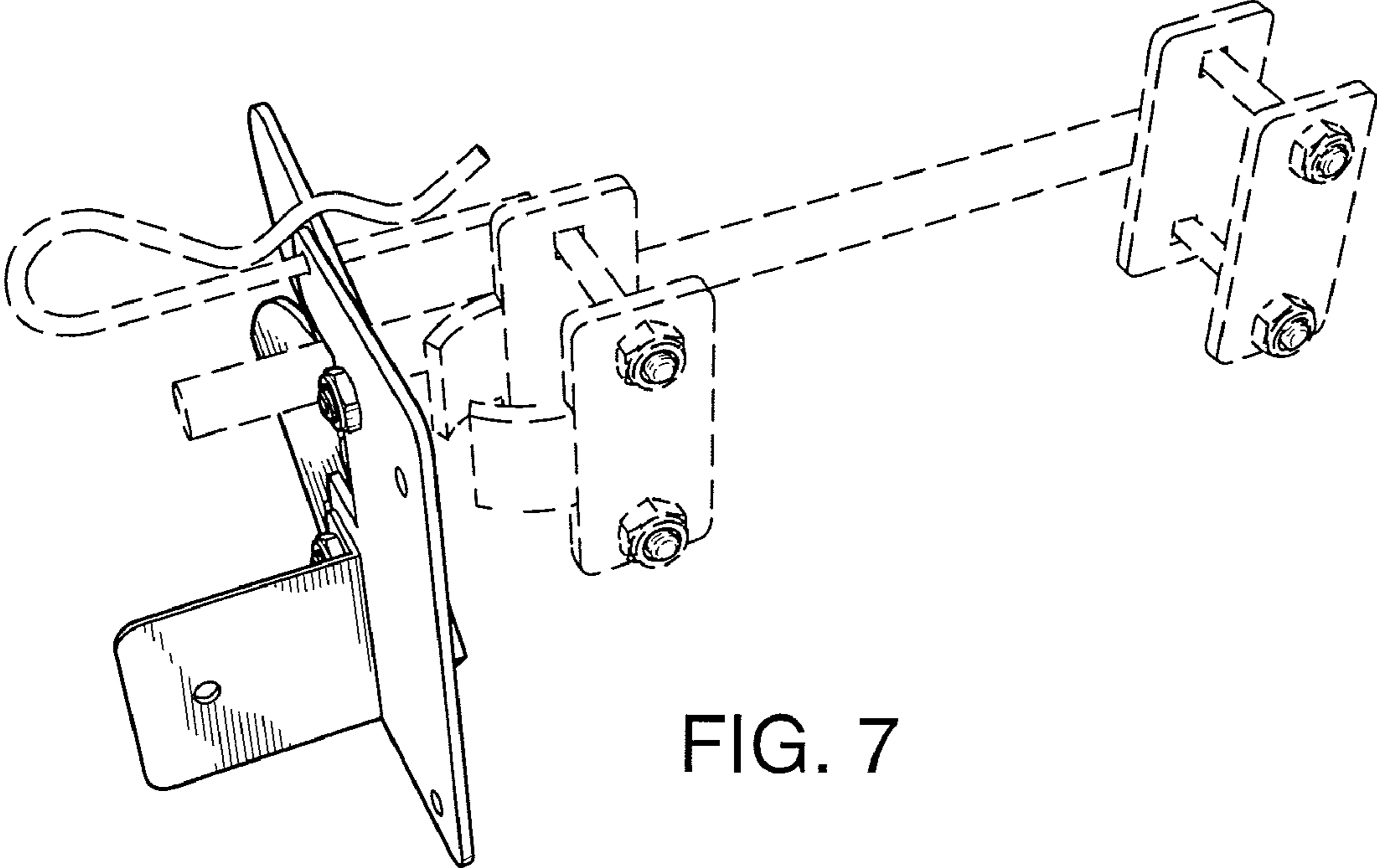


FIG. 7

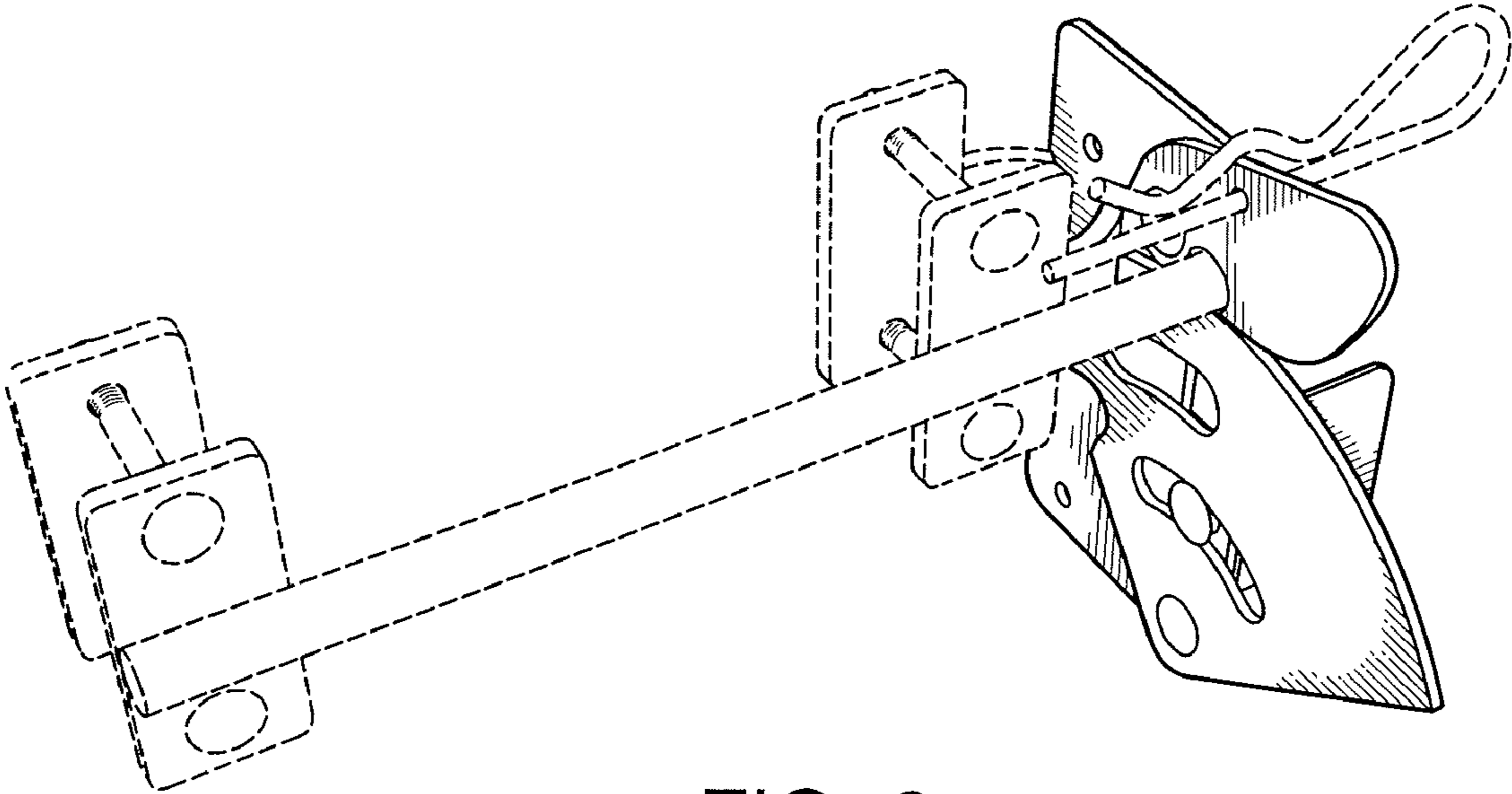


FIG. 8



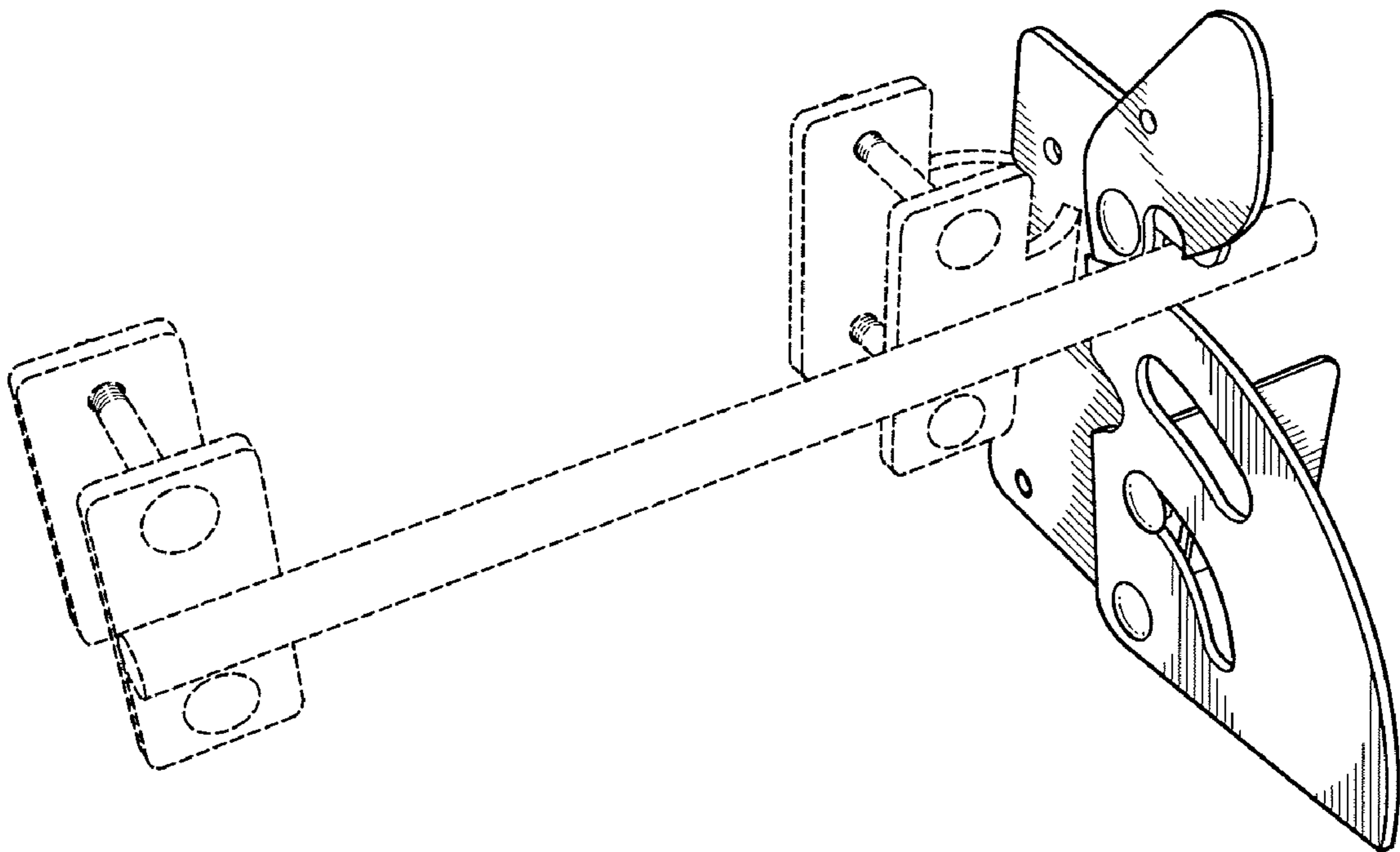


FIG. 9

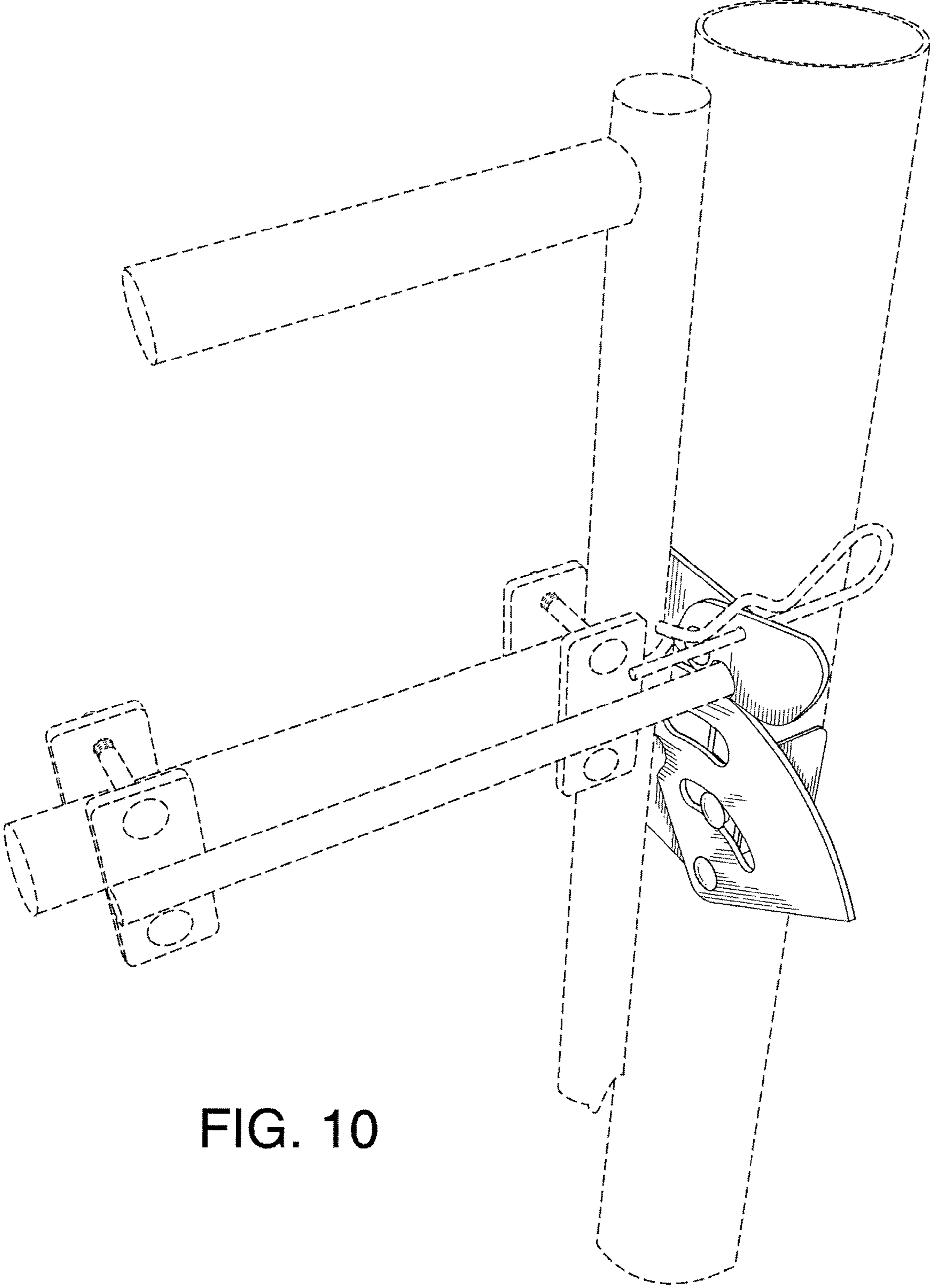


FIG. 10