



US00D657225S

(12) **United States Design Patent**  
**Chen**

(10) **Patent No.:** **US D657,225 S**

(45) **Date of Patent:** **\*\* Apr. 10, 2012**

(54) **HANDLE FOR A HAND TOOL**

(76) Inventor: **Kun-Chen Chen**, Taichung (TW)

(\*\*) Term: **14 Years**

(21) Appl. No.: **29/384,070**

(22) Filed: **Jan. 26, 2011**

(51) **LOC (9) Cl.** ..... **08-04**

(52) **U.S. Cl.** ..... **D8/83; D8/85**

(58) **Field of Classification Search** ..... D8/24-25,  
D8/82-85, 87, 107; 81/60, 177.1-177.7;  
D21/532; D3/171.1; 206/375

See application file for complete search history.

(56) **References Cited**

**U.S. PATENT DOCUMENTS**

5,704,260	A *	1/1998	Huang	81/177.4
5,896,606	A *	4/1999	Huang	7/165
6,243,902	B1 *	6/2001	Huang	7/165
6,431,034	B1 *	8/2002	Chen	81/177.4
D462,595	S *	9/2002	Barte	D8/83
D517,394	S *	3/2006	Chen	D8/107
D536,234	S *	2/2007	Lin	D8/107
7,182,002	B2 *	2/2007	Hu	81/177.4
7,207,246	B2 *	4/2007	Hu	81/177.4
7,281,455	B2 *	10/2007	Hu	81/177.4
7,380,660	B2 *	6/2008	Lin	206/375
D572,559	S *	7/2008	Demers et al.	D8/83
D580,655	S *	11/2008	Kao	D3/295

D585,261	S *	1/2009	Shih	D8/83
D600,991	S *	9/2009	Lai	D8/83
2010/0229693	A1 *	9/2010	Chen	81/60

\* cited by examiner

*Primary Examiner* — Philip S Hyder

*Assistant Examiner* — Roselynn Cody

(74) *Attorney, Agent, or Firm* — The Weintraub Group, P.L.C.

(57) **CLAIM**

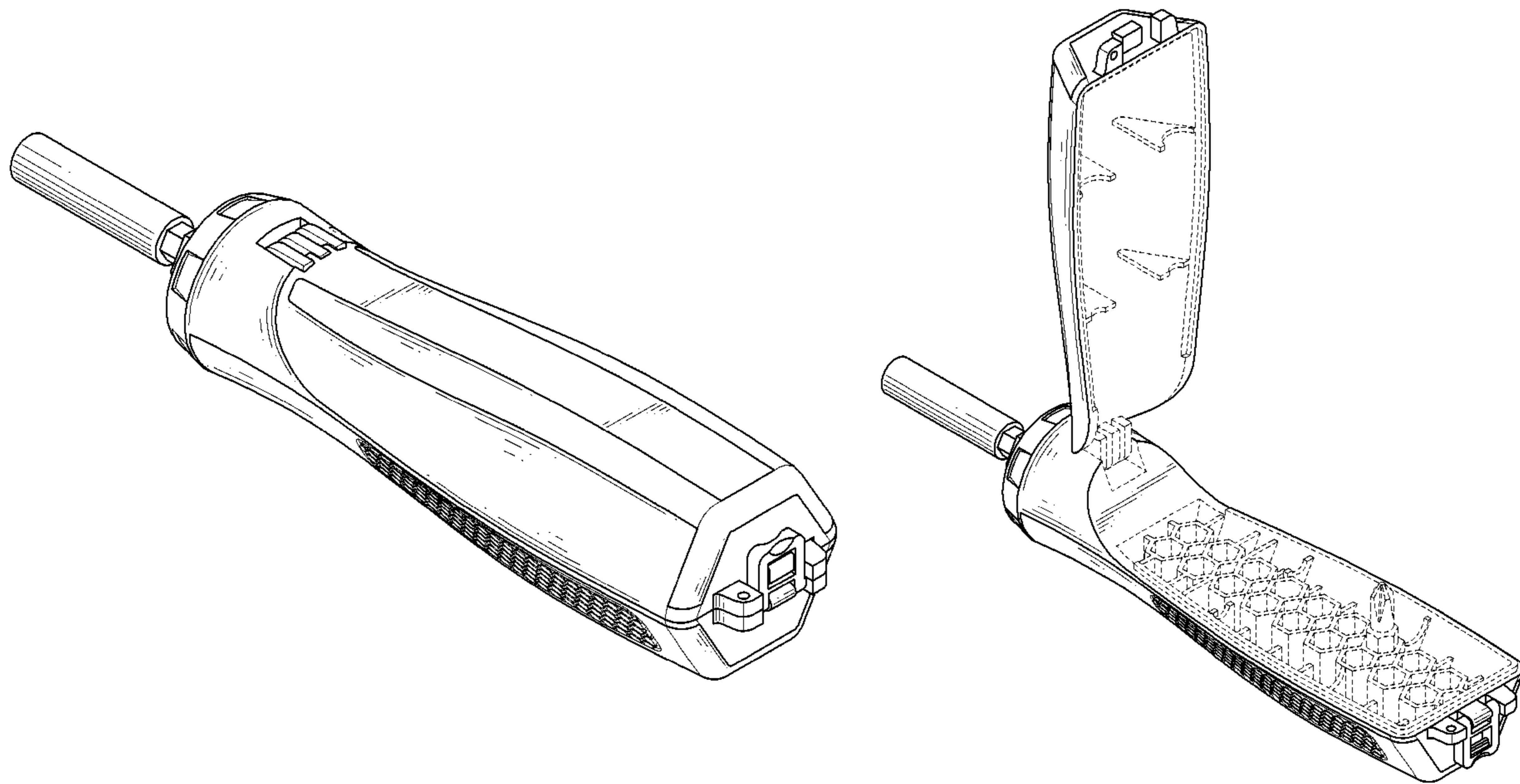
The ornamental design for a handle for a hand tool, as shown and described.

**DESCRIPTION**

FIG. 1 is a perspective view of a handle for a hand tool, showing my new design;  
FIG. 2 is a front view thereof;  
FIG. 3 is a rear view thereof;  
FIG. 4 is a left side view thereof;  
FIG. 5 is a right side view thereof;  
FIG. 6 is a top view thereof;  
FIG. 7 is a bottom view thereof; and,  
FIG. 8 is a perspective view showing the cover in an open condition.

The broken lines in the drawings illustrate features of the handle as well as environment that form no part of the claimed design.

**1 Claim, 5 Drawing Sheets**



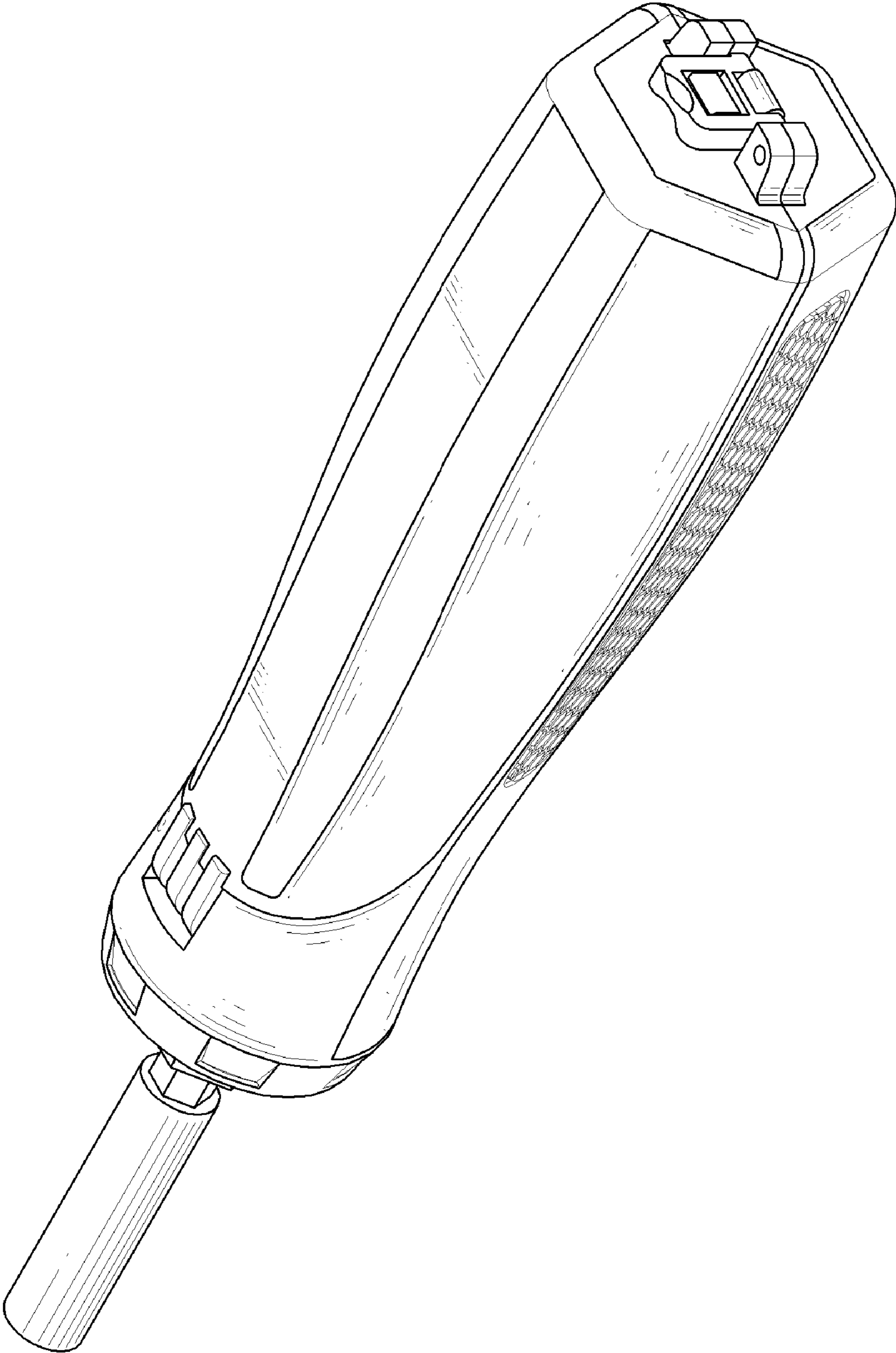


FIG. 1

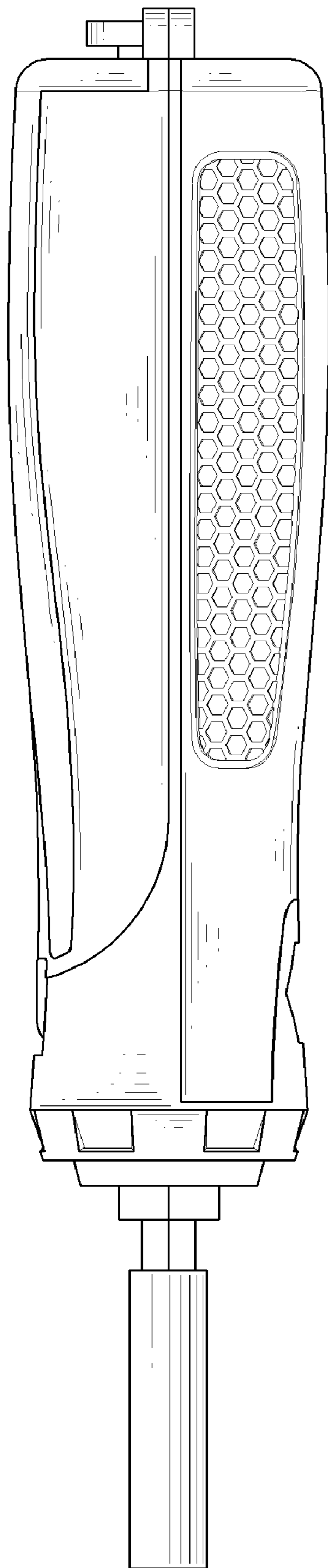


FIG. 2

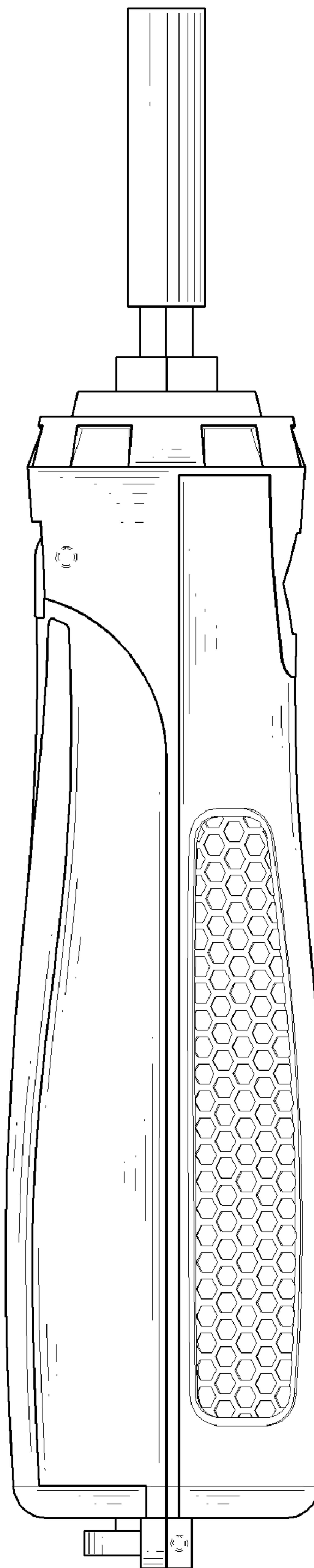


FIG. 3

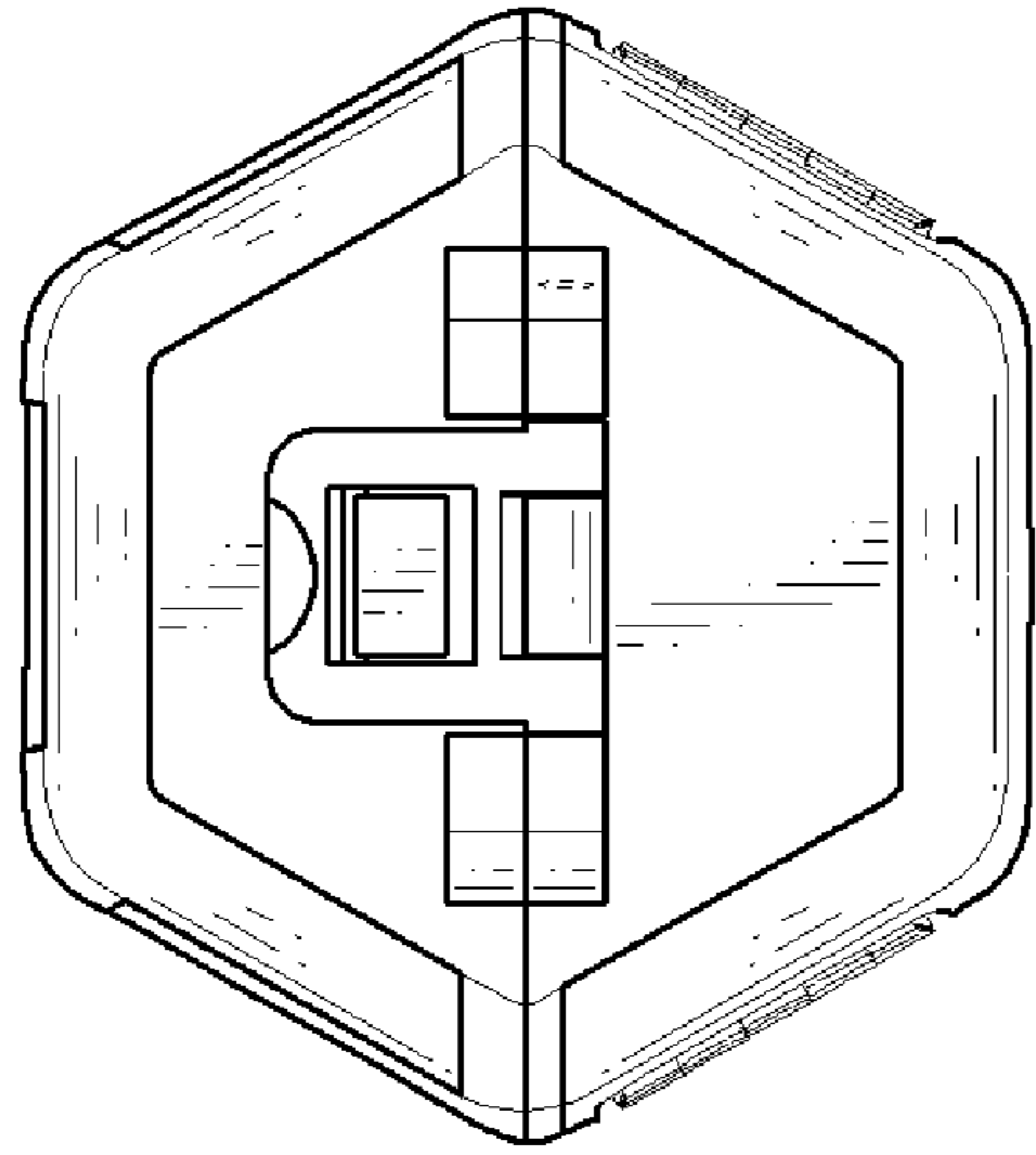


FIG. 5

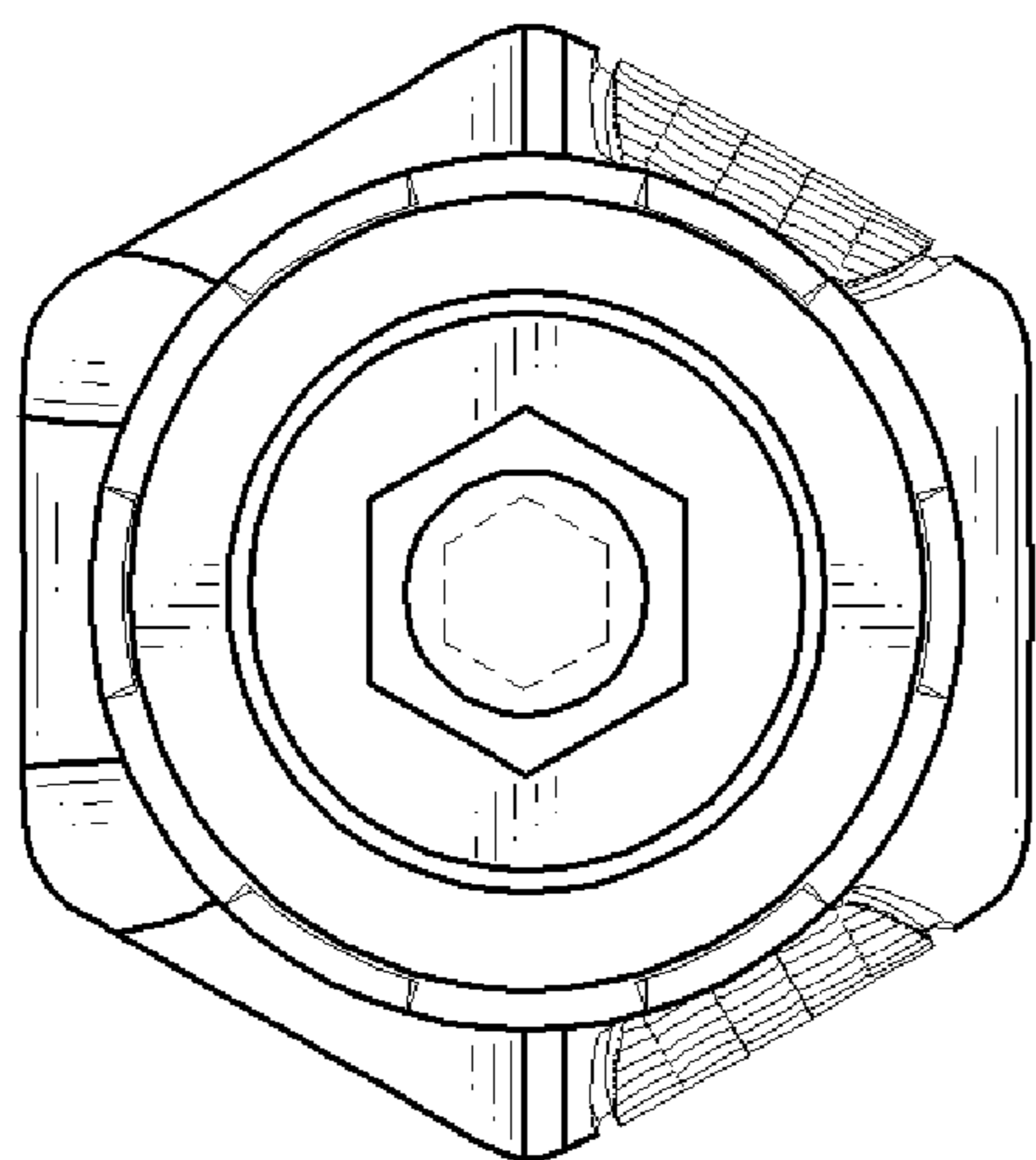


FIG. 4

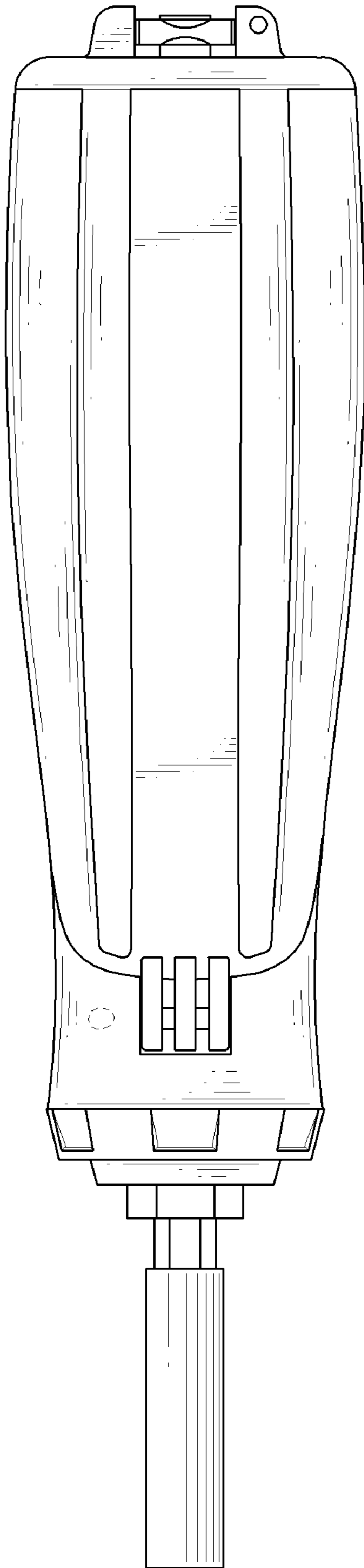


FIG. 6

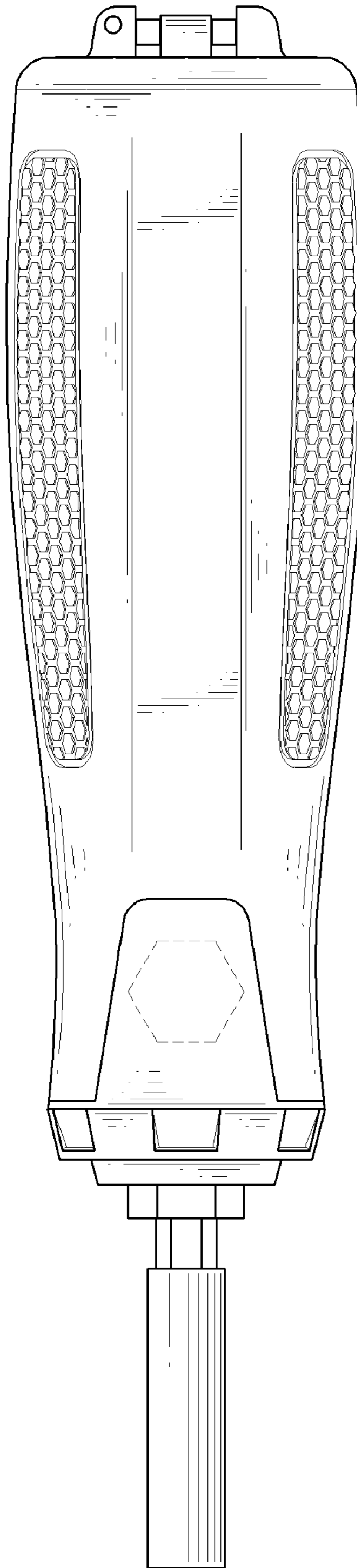


FIG. 7

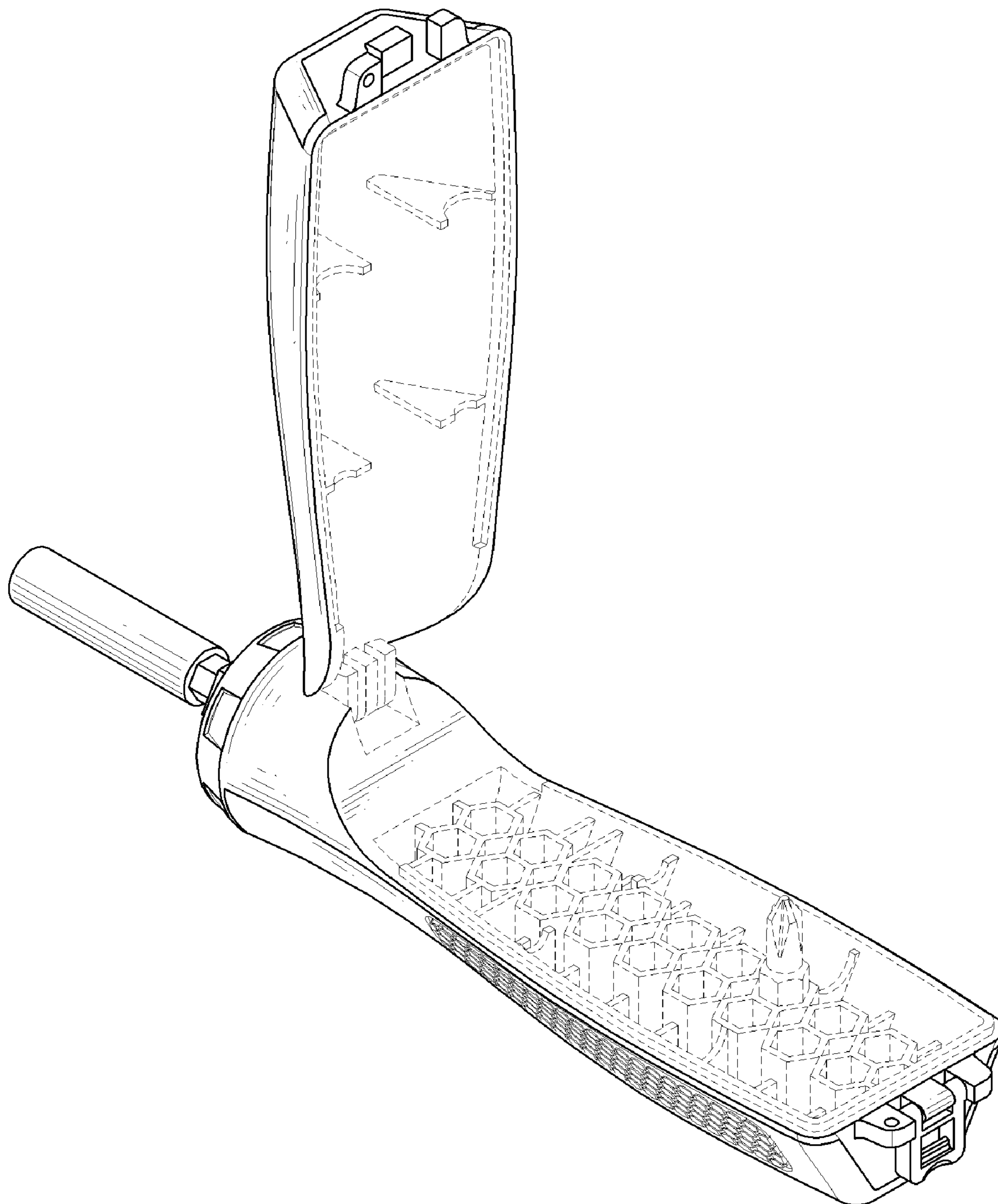


FIG. 8