



US00D657222S

(12) **United States Design Patent**  
**Steinfels**

(10) **Patent No.:** **US D657,222 S**

(45) **Date of Patent:** **\*\* Apr. 10, 2012**

(54) **IMPACT WRENCH**

(75) Inventor: **Craig R. Steinfels**, Powell, OH (US)

(73) Assignee: **Stanley Black & Decker, Inc.**, New Britain, CT (US)

(\*\*) Term: **14 Years**

(21) Appl. No.: **29/391,846**

(22) Filed: **May 13, 2011**

(51) **LOC (9) Cl.** ..... **08-04**

(52) **U.S. Cl.** ..... **D8/68**

(58) **Field of Classification Search** ..... D8/14.1,  
D8/61, 62, 63, 64, 65, 66, 67, 68, 69, 70;  
81/57.11, 429, 454, 455, 456, 469, 489; 173/13,  
173/104, 114, 168, 169, 170, 171, 178, 201,  
173/211, 213, 217; 408/20, 124, 125, 234,  
408/241 R; 451/358; 310/50; 227/8, 113,  
227/114, 120, 130, 136, 142

See application file for complete search history.

(56) **References Cited**

U.S. PATENT DOCUMENTS

D540,640	S	*	4/2007	Clay	.....	D8/68
D540,641	S	*	4/2007	Clay	.....	D8/68
D572,991	S	*	7/2008	Chen	.....	D8/68
D610,888	S	*	3/2010	Izumisawa et al.	.....	D8/68
D616,717	S	*	6/2010	Yaschur	.....	D8/68

\* cited by examiner

*Primary Examiner* — Antoine D Davis

(74) *Attorney, Agent, or Firm* — Kofi Schulterbrandt; Scott B. Markow; Adan Ayala

(57) **CLAIM**

The ornamental design for an impact wrench, as shown and described.

**DESCRIPTION**

FIG. 1 is a left/front perspective view of an impact wrench showing my new design.

FIG. 2 is a front view thereof.

FIG. 3 is a rear view thereof.

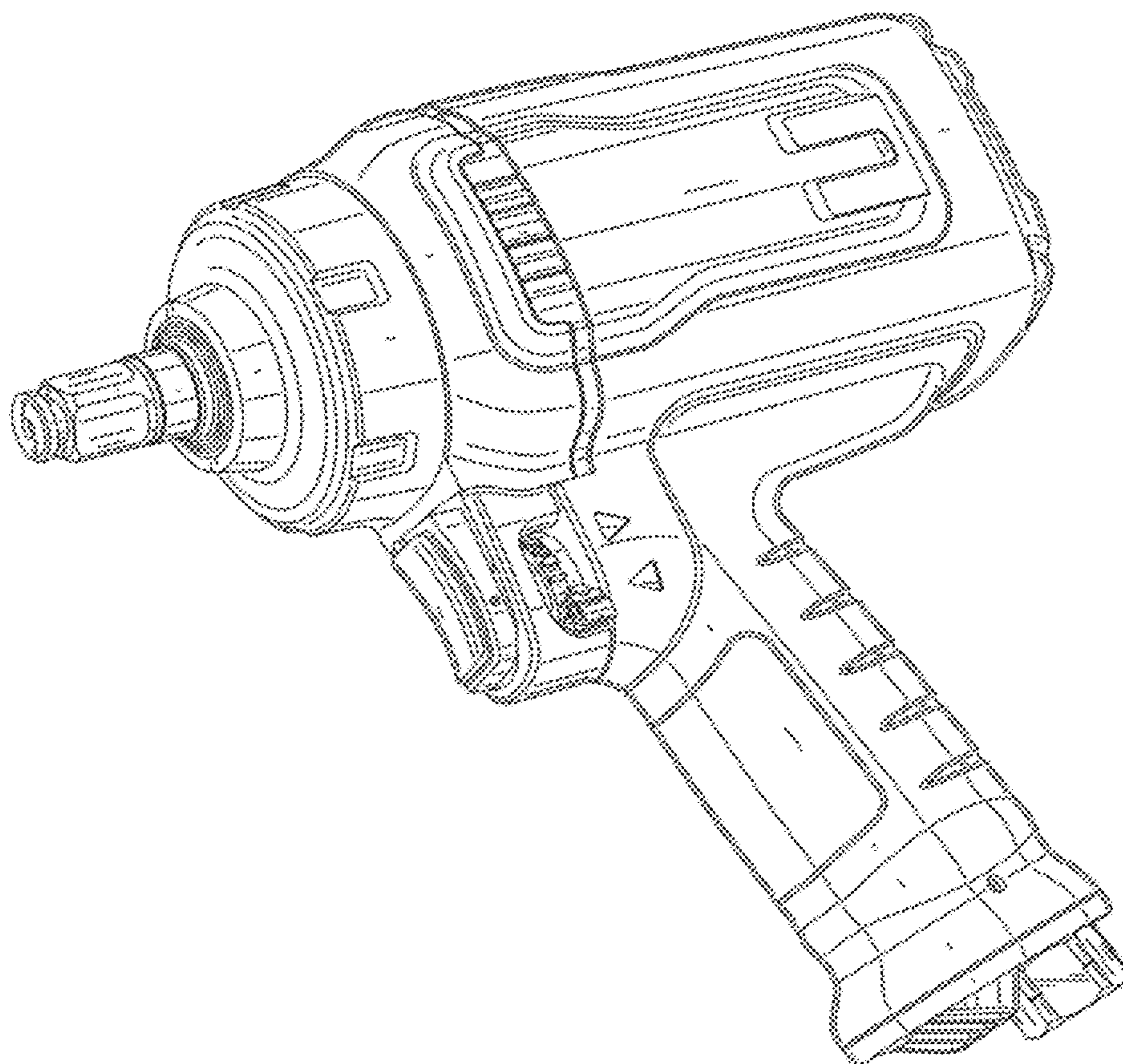
FIG. 4 is a right side view thereof.

FIG. 5 is a left side view thereof.

FIG. 6 is a top view thereof; and,

FIG. 7 is a bottom view thereof.

**1 Claim, 7 Drawing Sheets**



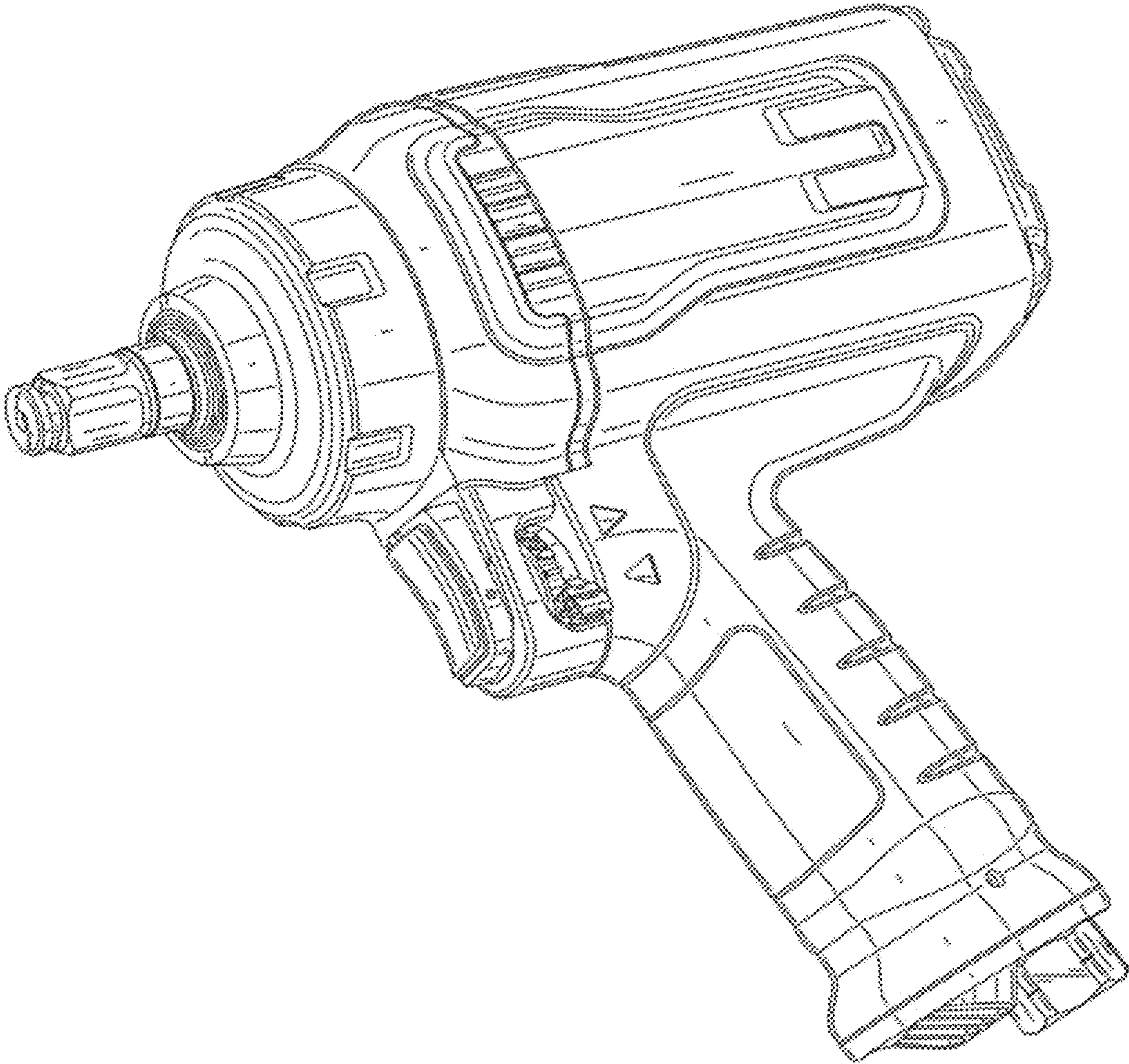


FIG. 1

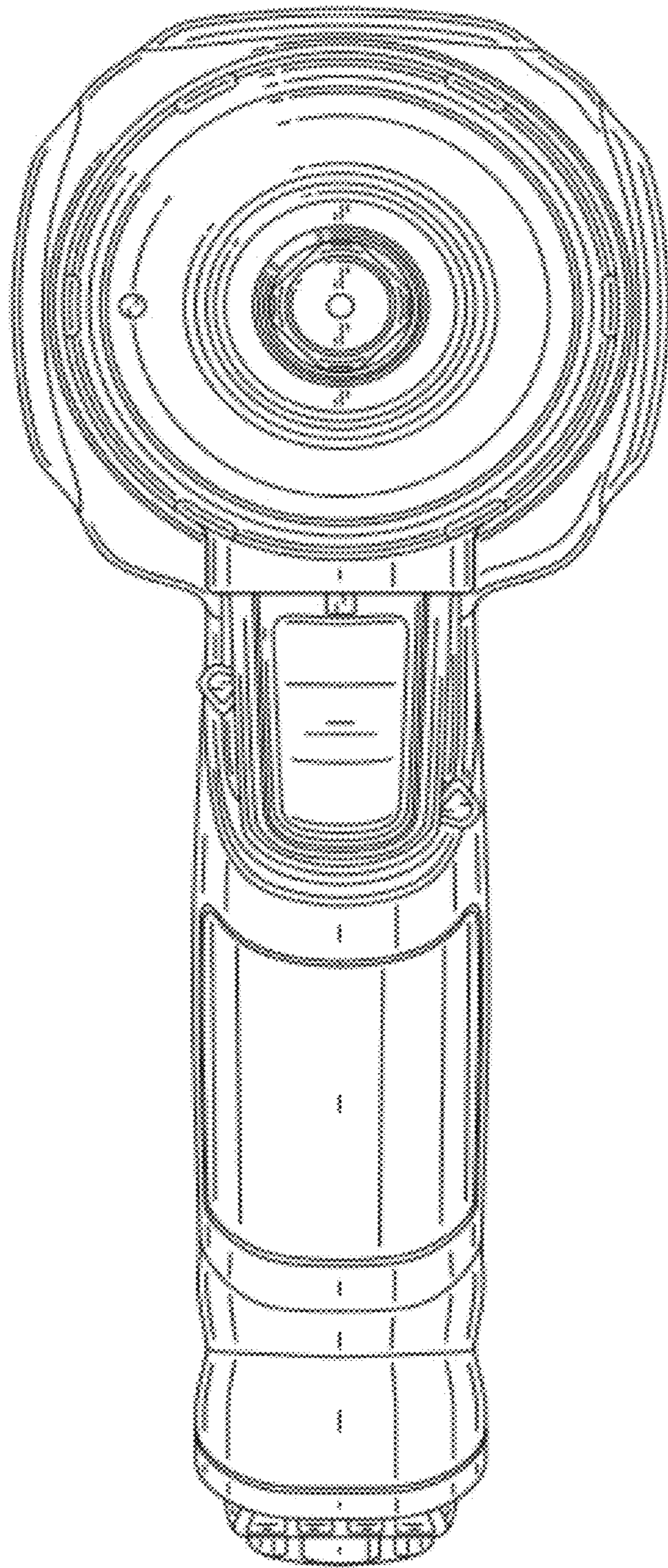


FIG. 2

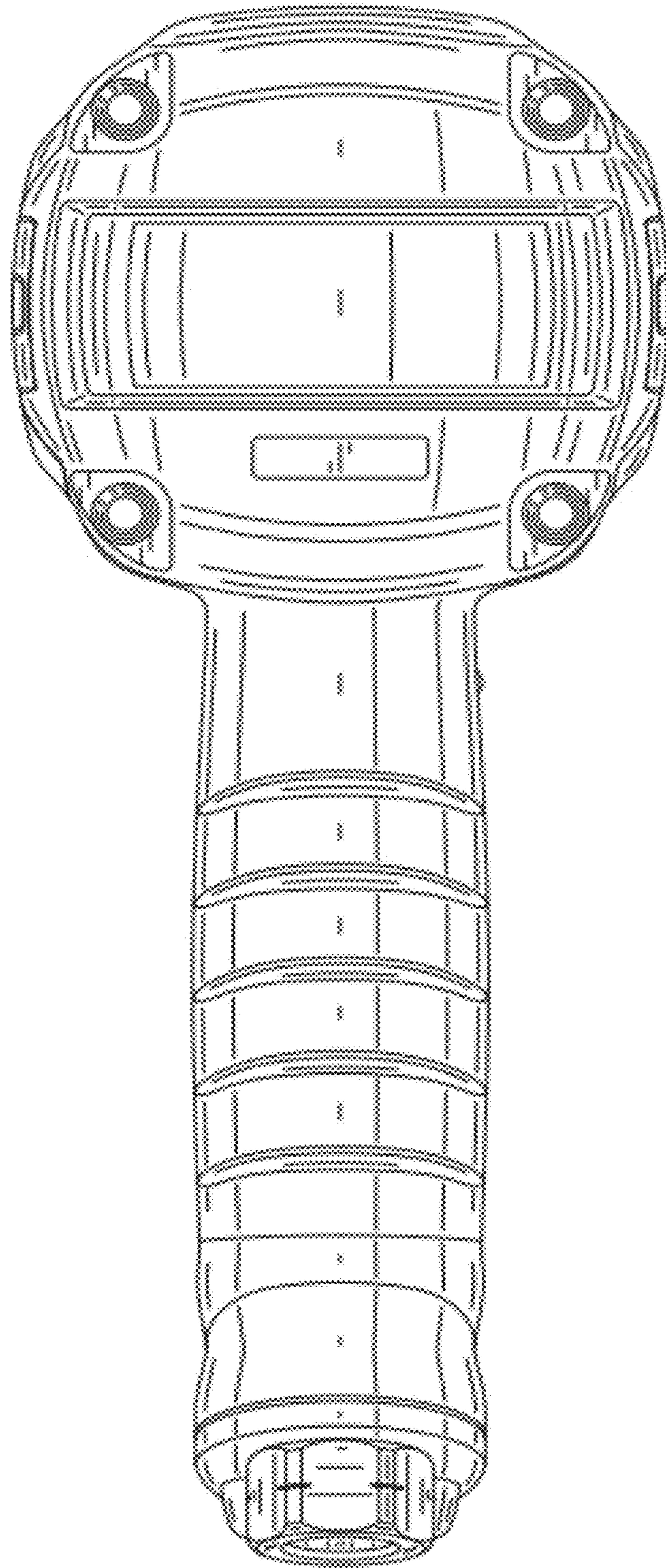


FIG. 3

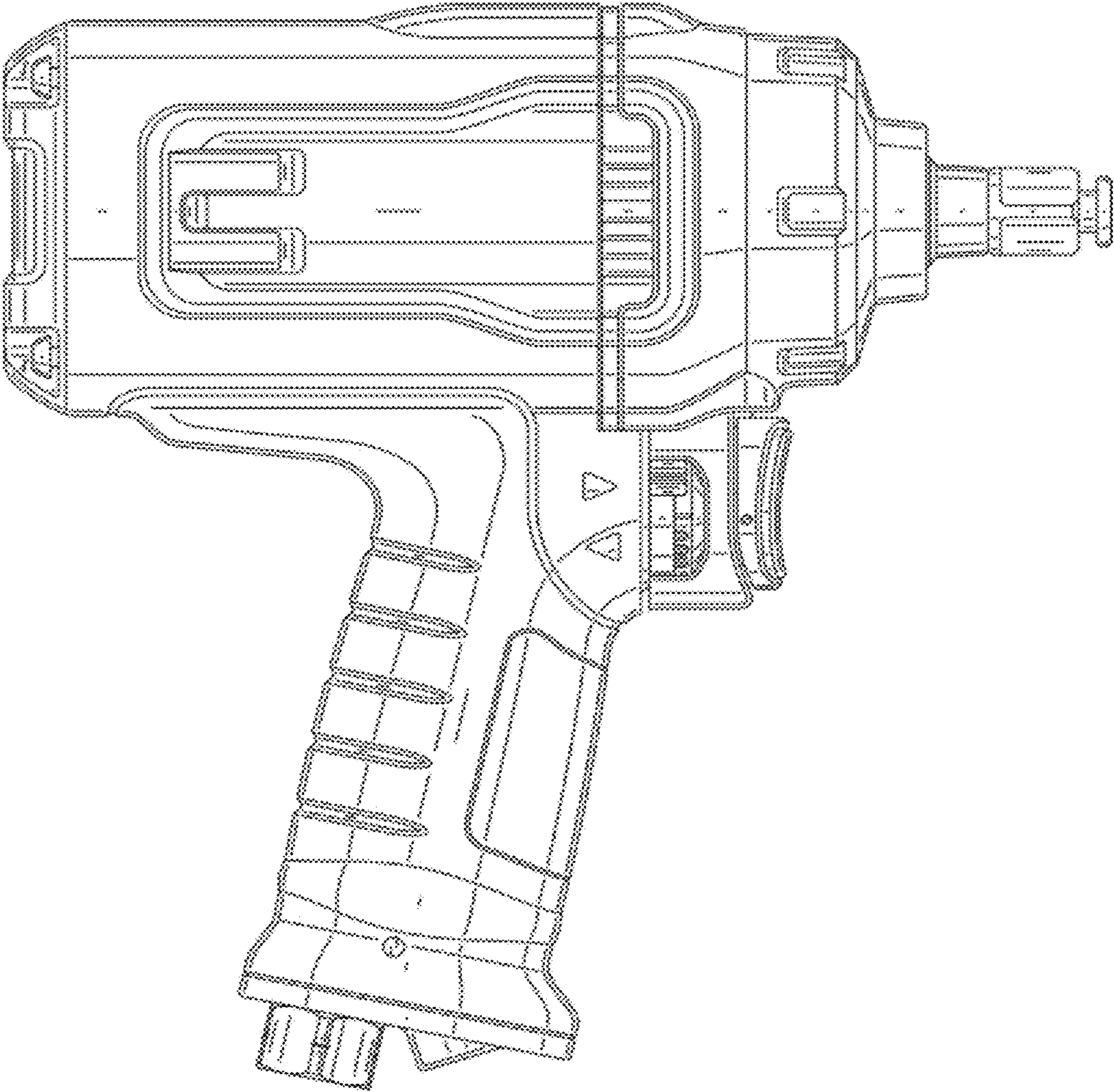


FIG. 4

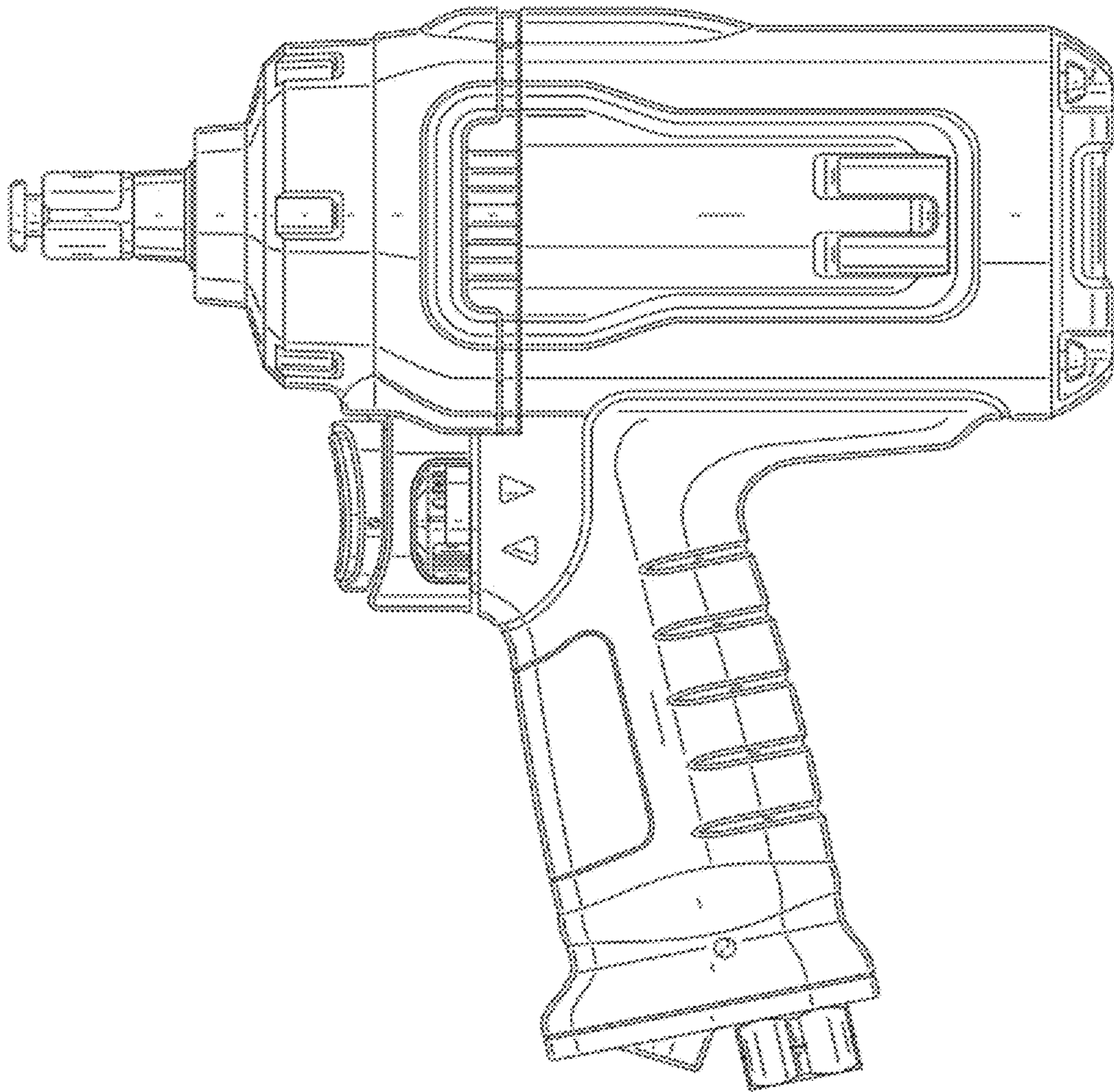


FIG. 5

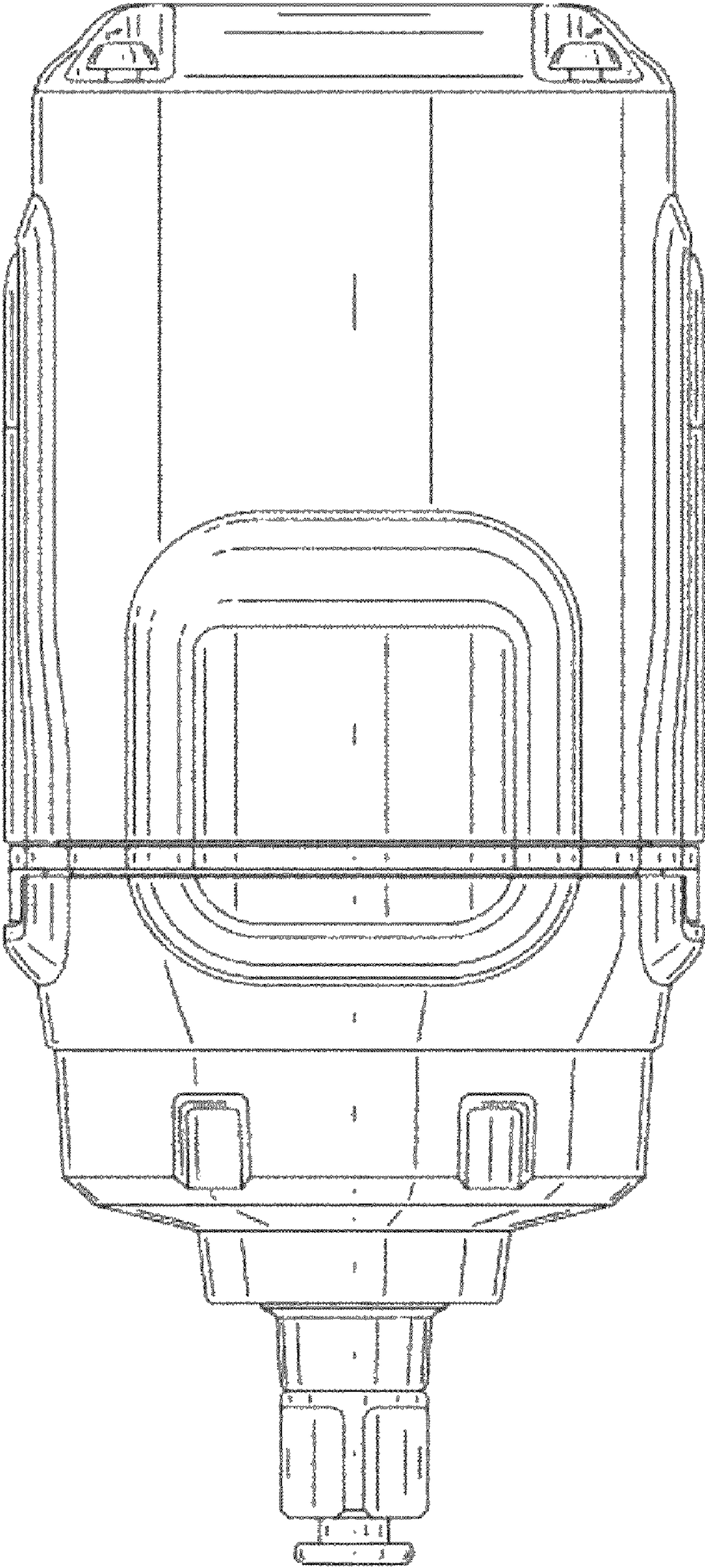


FIG. 6

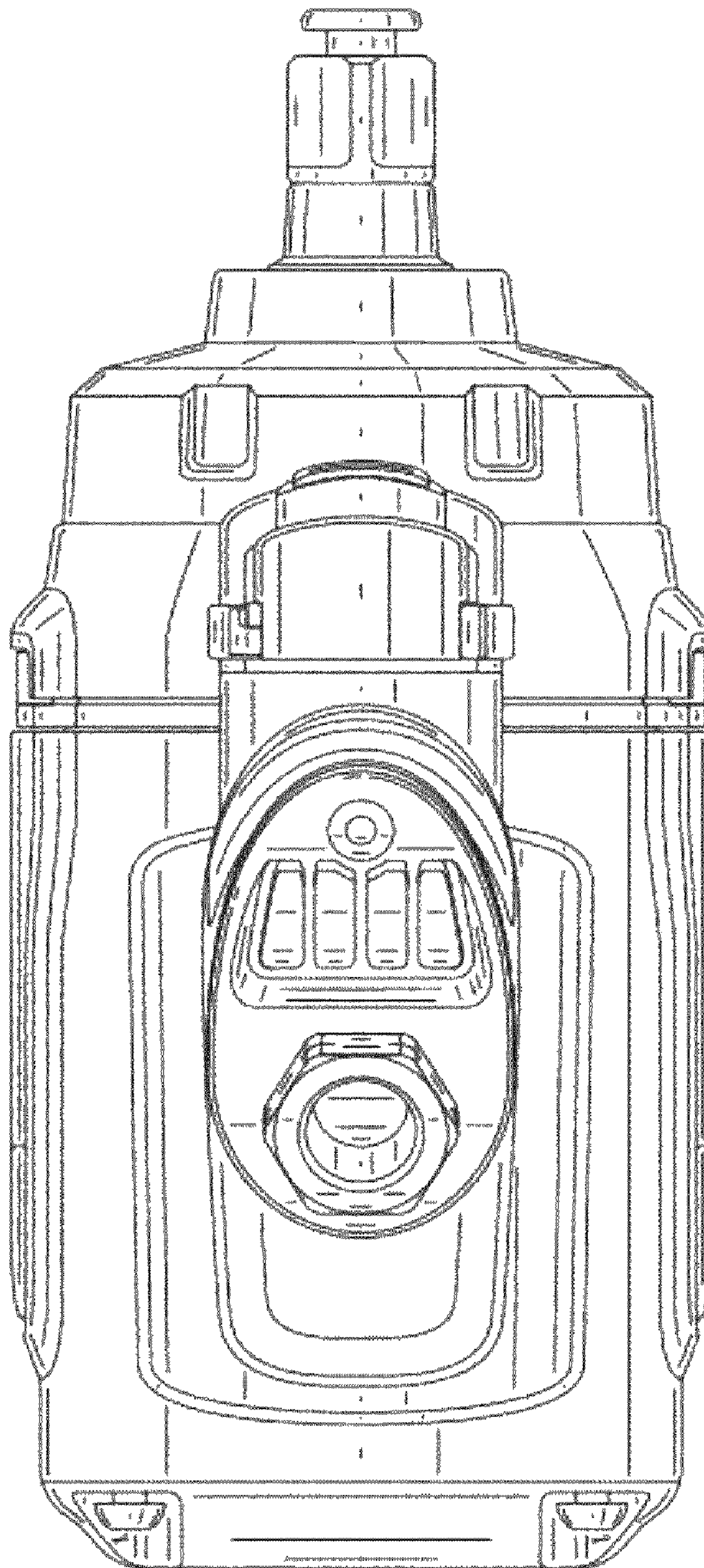


FIG. 7