



US00D657220S

(12) **United States Design Patent**
Isobe et al.

(10) **Patent No.:** **US D657,220 S**
(45) **Date of Patent:** **** Apr. 10, 2012**

(54) **ELECTRIC CABLE CUTTER**

(75) Inventors: **Masashi Isobe**, Kyoto (JP); **Masahiro Yokota**, Kyoto (JP); **Masafumi Takeshima**, Matsumoto (JP)

(73) Assignee: **Izumi Products Company**, Nagano (JP)

(**) Term: **14 Years**

(21) Appl. No.: **29/389,256**

(22) Filed: **Apr. 8, 2011**

(30) **Foreign Application Priority Data**

Oct. 13, 2010 (JP) 2010-024447

(51) **LOC (9) Cl.** **08-03**

(52) **U.S. Cl.** **D8/61**

(58) **Field of Classification Search** D8/61,
D8/51, 52, 57, 58, 68, 55, 98; 72/453.15,
72/453.16; 30/228, 249, 90.4; 173/170
See application file for complete search history.

(56) **References Cited**

U.S. PATENT DOCUMENTS

4,359,821	A *	11/1982	Pellenc	30/228
D303,346	S *	9/1989	Ogawa	D8/61
5,002,135	A *	3/1991	Pellenc	173/170
5,642,566	A *	7/1997	Hirabayashi	30/228
D386,660	S *	11/1997	Hirabayashi	D8/61

D405,233	S *	2/1999	Hirabayashi et al.	D8/61
5,867,909	A *	2/1999	Jeltsch et al.	30/228
5,953,822	A *	9/1999	Vogelsanger	30/228
6,044,564	A *	4/2000	Jeltsch	30/228
7,254,982	B2 *	8/2007	Frenken	72/453.15
7,412,868	B2 *	8/2008	Frenken	72/453.15
2003/0188566	A1 *	10/2003	Lefavour et al.	72/453.16

* cited by examiner

Primary Examiner — Austin Murphy

(74) *Attorney, Agent, or Firm* — Sughrue Mion, PLLC

(57) **CLAIM**

The ornamental design for a electric cable cutter, as shown and described.

DESCRIPTION

FIG. 1 is a front elevational view of the electric cable cutter, showing our new design;
FIG. 2 is a rear elevational view thereof;
FIG. 3 is a right side elevational view thereof,
FIG. 4 is a left side elevational view thereof,
FIG. 5 is a top plan view thereof,
FIG. 6 is a bottom plan view thereof;
FIG. 7 is a perspective view taken from the front, top and right side of the electric cable cutter; and,
FIG. 8 is a perspective view taken from the rear, top and left side of the electric cable cutter.

The elements shown in broken lines are for illustrative purpose only and form no part of the claimed design.

1 Claim, 5 Drawing Sheets

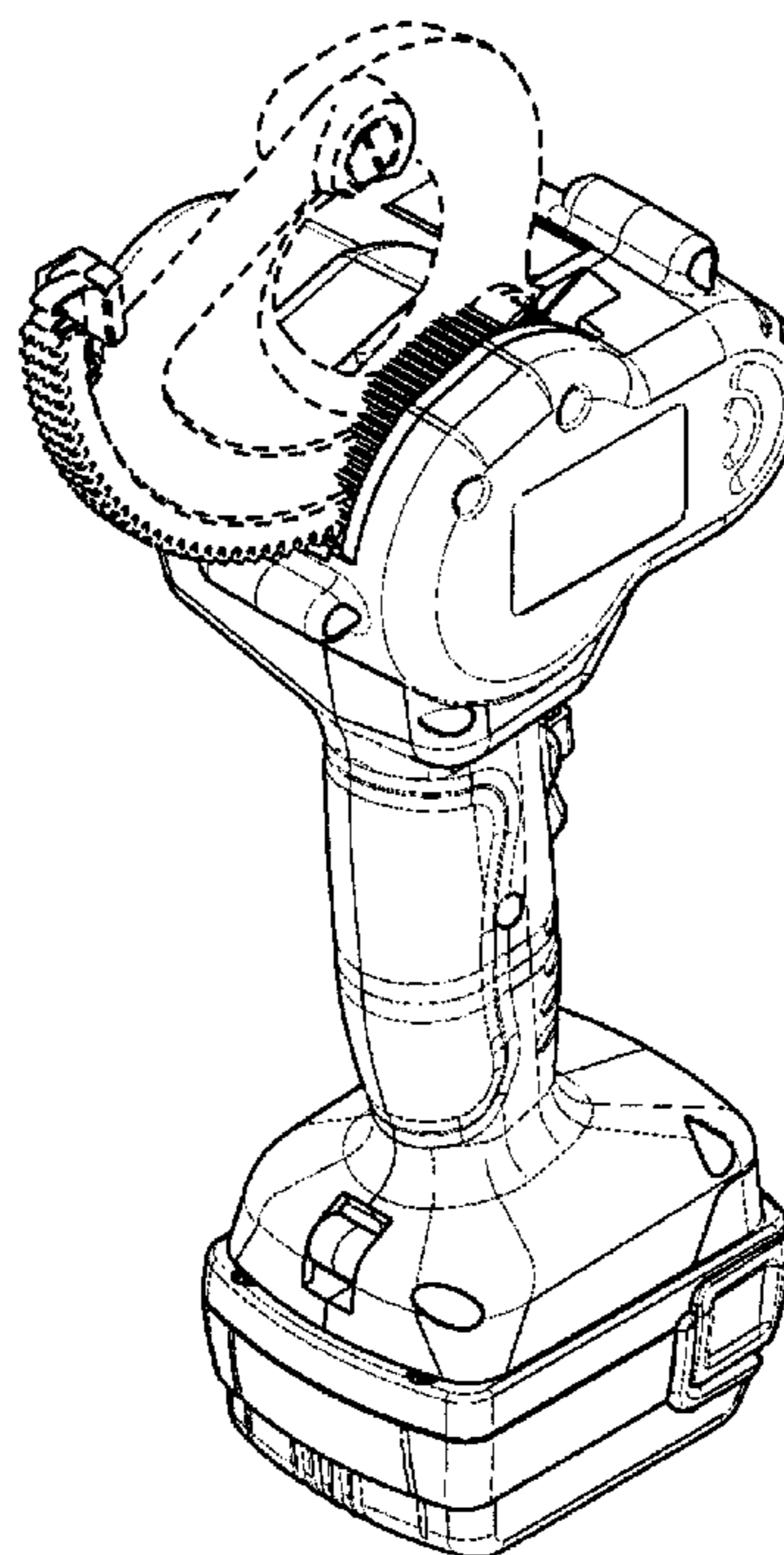
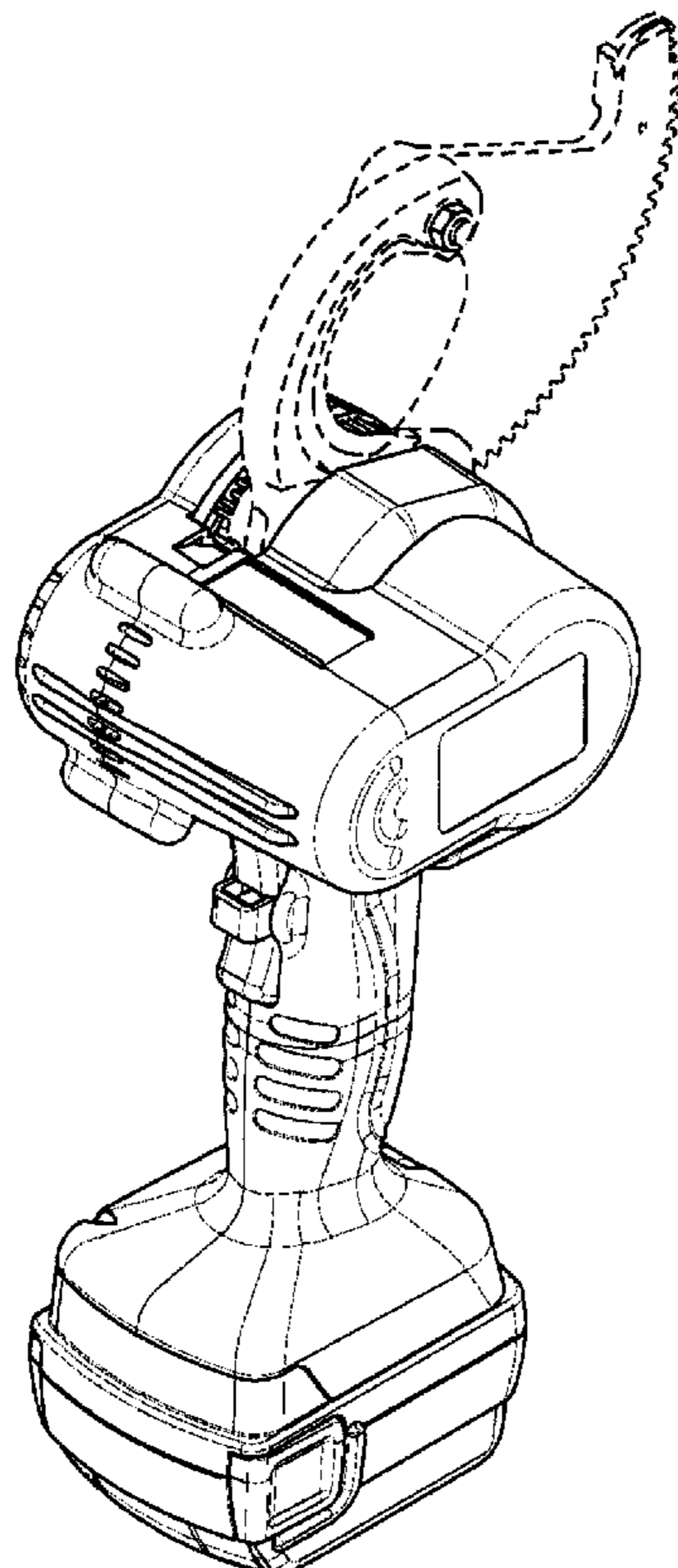


Fig. 1

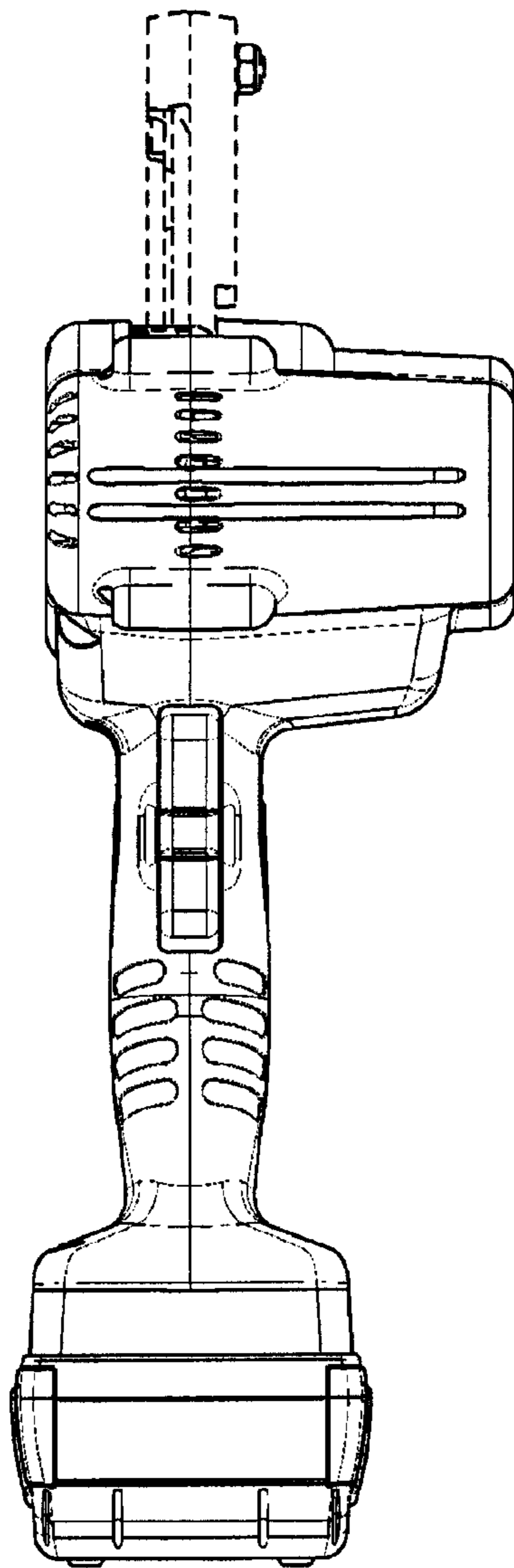


Fig. 2

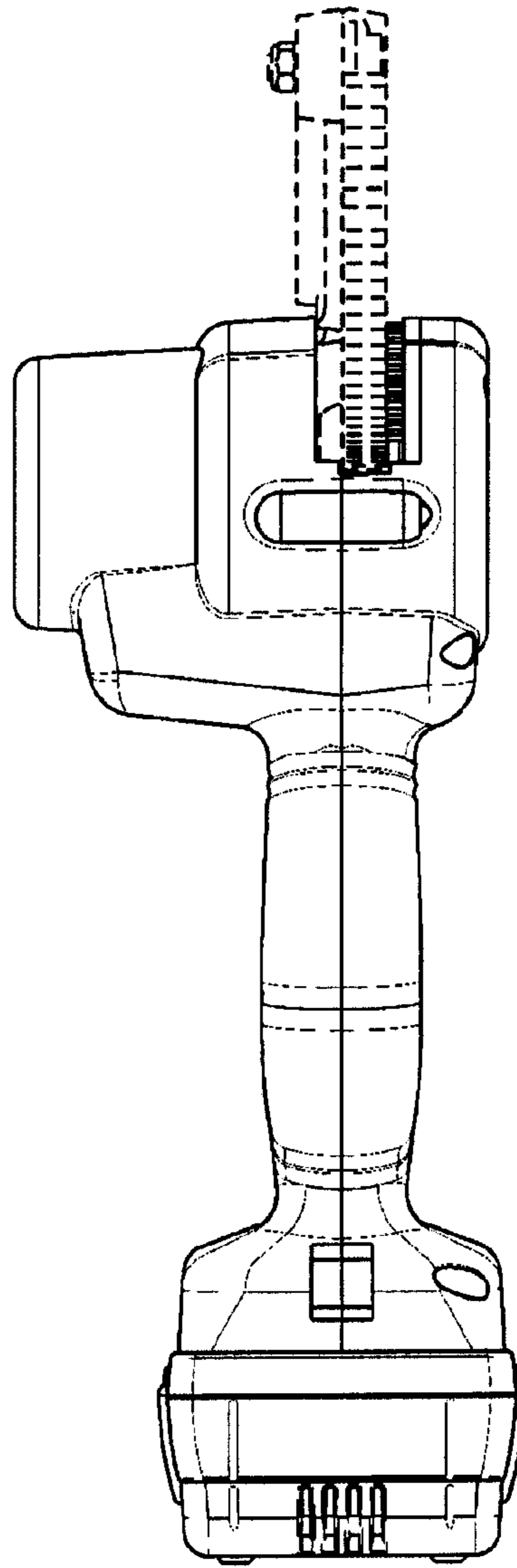


Fig. 3

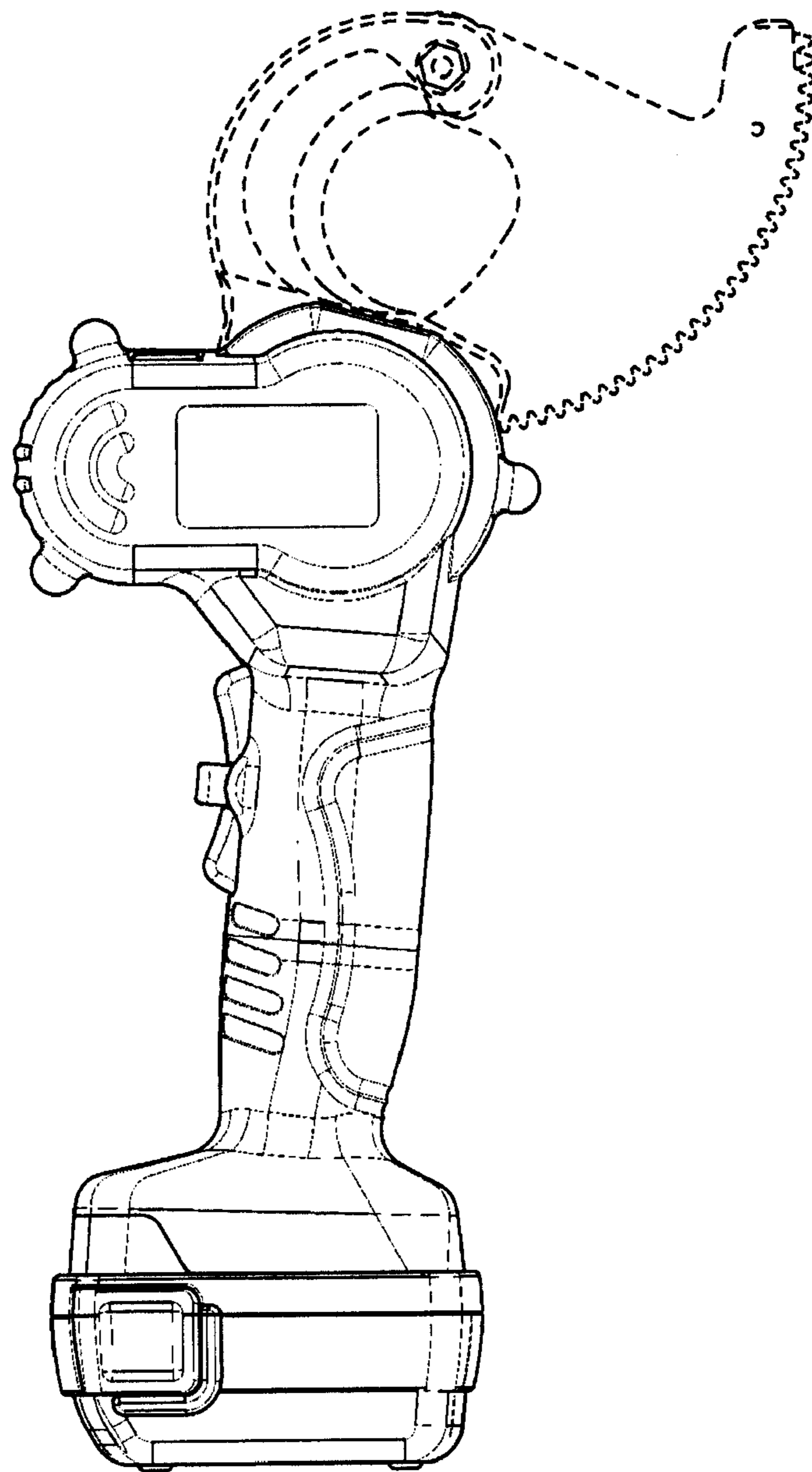


Fig. 4

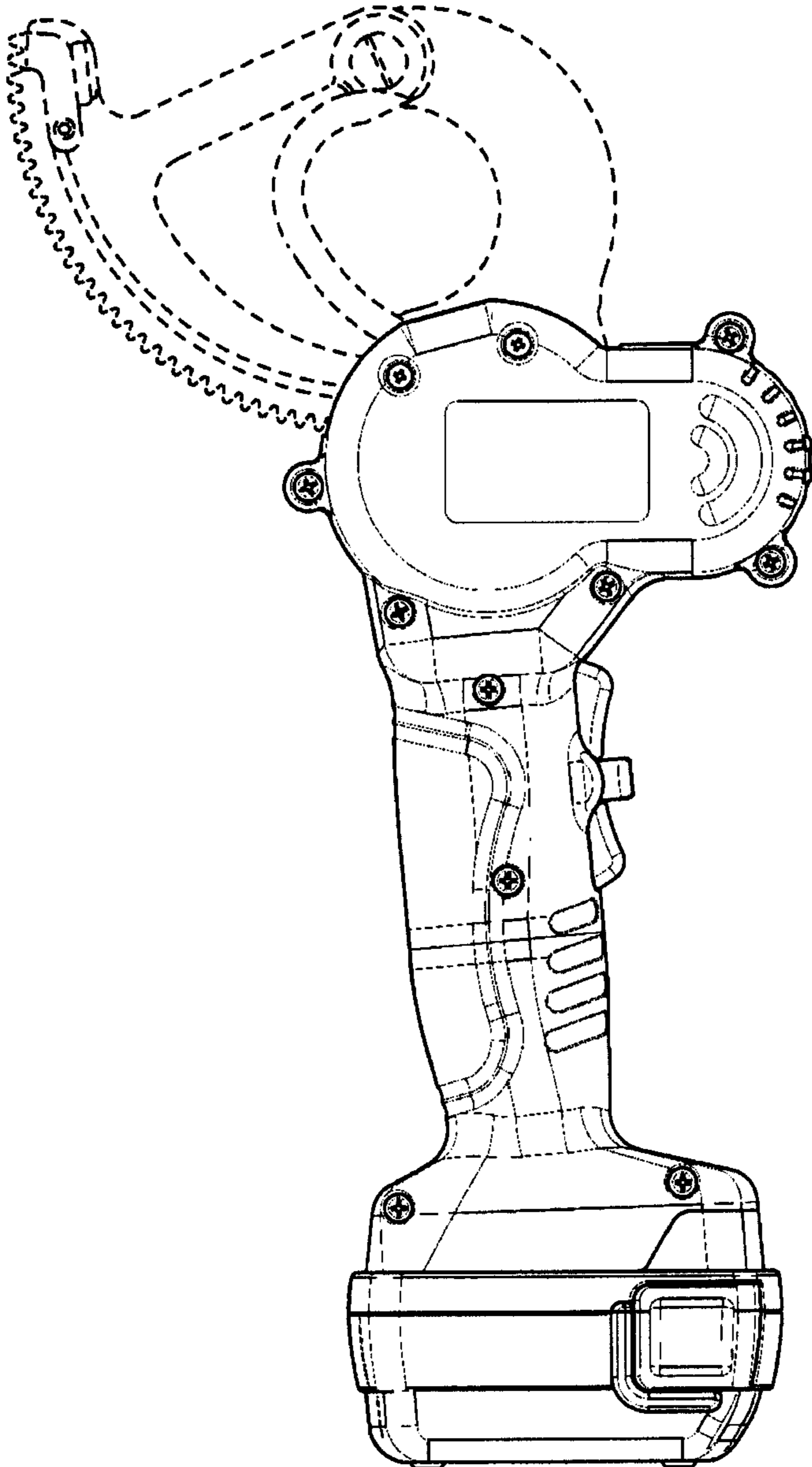


Fig. 5

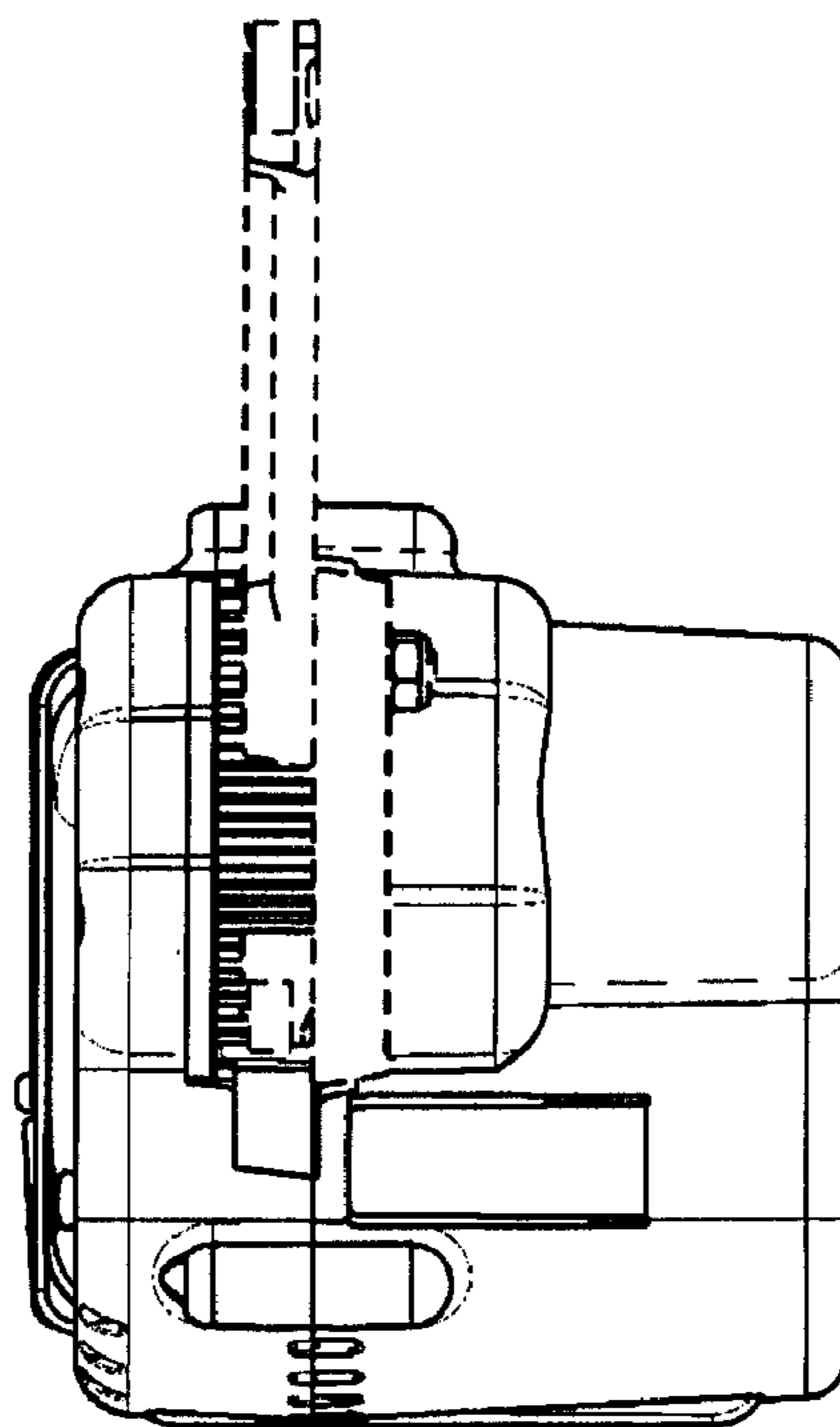


Fig. 6

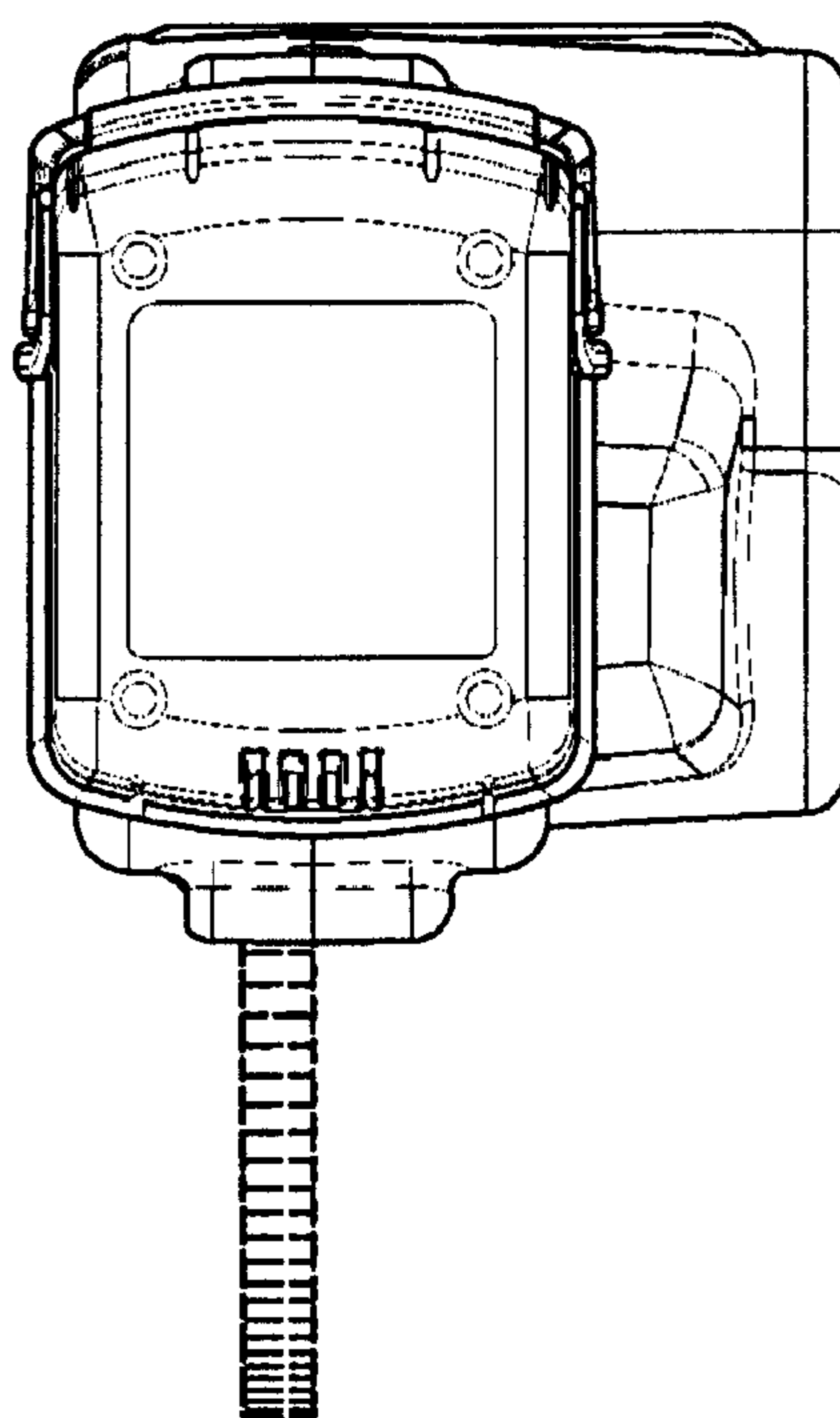


Fig. 7

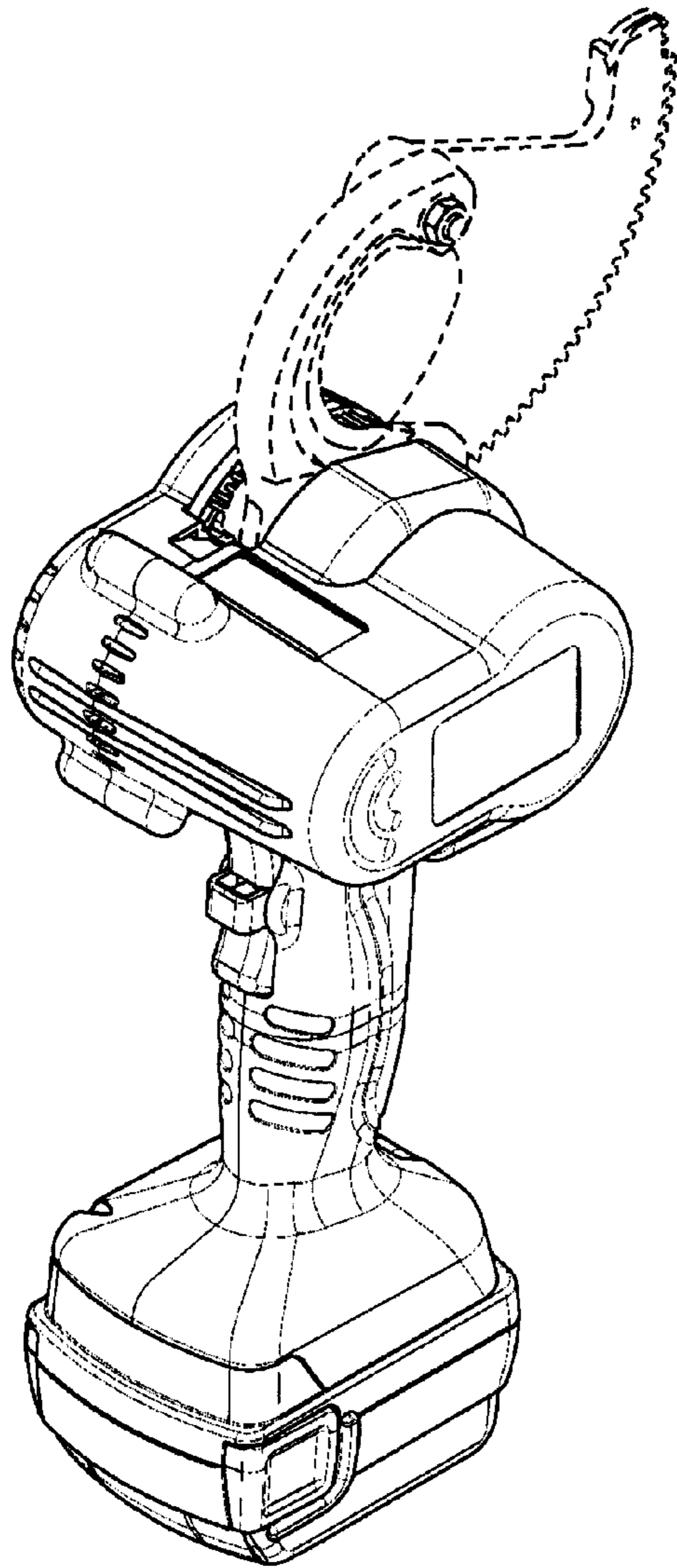


Fig. 8

