



US00D657218S

(12) **United States Design Patent**
Wilder

(10) **Patent No.:** **US D657,218 S**

(45) **Date of Patent:** **** Apr. 10, 2012**

(54) **POST PULLER**

(76) Inventor: **Simone Wilder**, Antlers, OK (US)

(**) Term: **14 Years**

(21) Appl. No.: **29/373,826**

(22) Filed: **May 27, 2011**

(51) **LOC (9) Cl.** **08-05**

(52) **U.S. Cl.** **D8/51**

(58) **Field of Classification Search** D8/51,
D8/14, 4, 52-58, 60, 105, 107; D14/226;
254/30, 31, 132; D34/31

See application file for complete search history.

(56) **References Cited**

U.S. PATENT DOCUMENTS

1,385,326	A *	7/1921	Leisure	254/132
2,226,456	A *	12/1940	Westendorf	254/132
2,532,533	A *	12/1950	Baldwin et al.	254/31
3,779,516	A	12/1973	King		
4,161,310	A *	7/1979	Parker	254/30
4,738,433	A *	4/1988	Hoff	254/30
D312,196	S *	11/1990	Norona	D8/14
5,022,632	A	6/1991	Beideck		
5,224,687	A	7/1993	Geckler et al.		
D361,248	S *	8/1995	Harper et al.	D8/51
5,464,192	A *	11/1995	Burnham	254/30

D371,492	S *	7/1996	Pfeil et al.	D8/14
5,794,918	A	8/1998	Price		
6,302,376	B1 *	10/2001	Williams	254/30
D547,152	S *	7/2007	Anzaldua	D8/51
D609,540	S *	2/2010	Oberg	D8/51
D617,781	S *	6/2010	Kallas et al.	D14/226

* cited by examiner

Primary Examiner — Austin Murphy

(74) *Attorney, Agent, or Firm* — Paul R. Martin

(57) **CLAIM**

The ornamental design for a post puller, as shown and described.

DESCRIPTION

FIG. 1 is a perspective view of my new design for a post puller.

FIG. 2 is an top plan view of my new design for a post puller.

FIG. 3 is an front elevational view thereof.

FIG. 4 is a front end elevational view thereof.

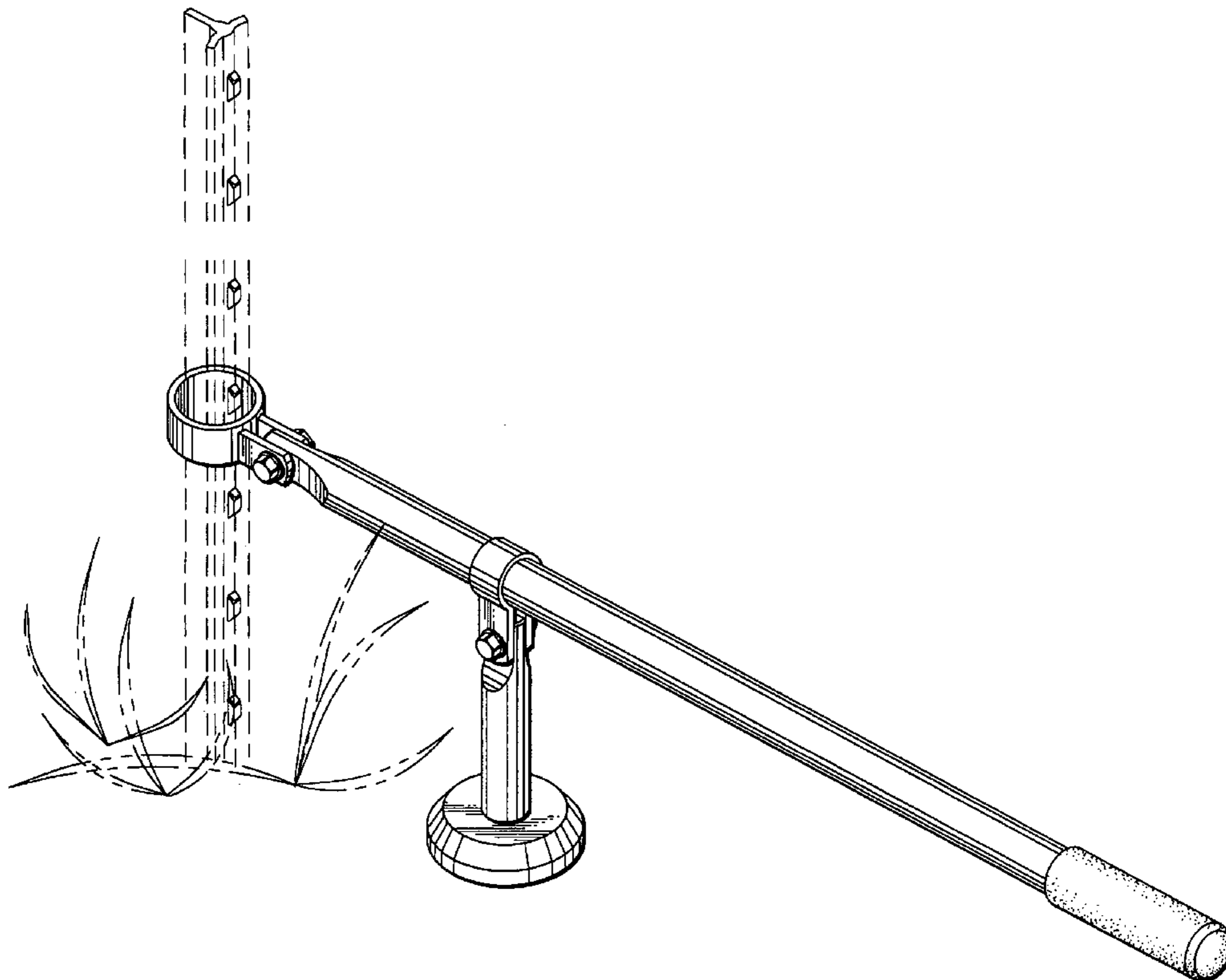
FIG. 5 is a rear end elevational view thereof.

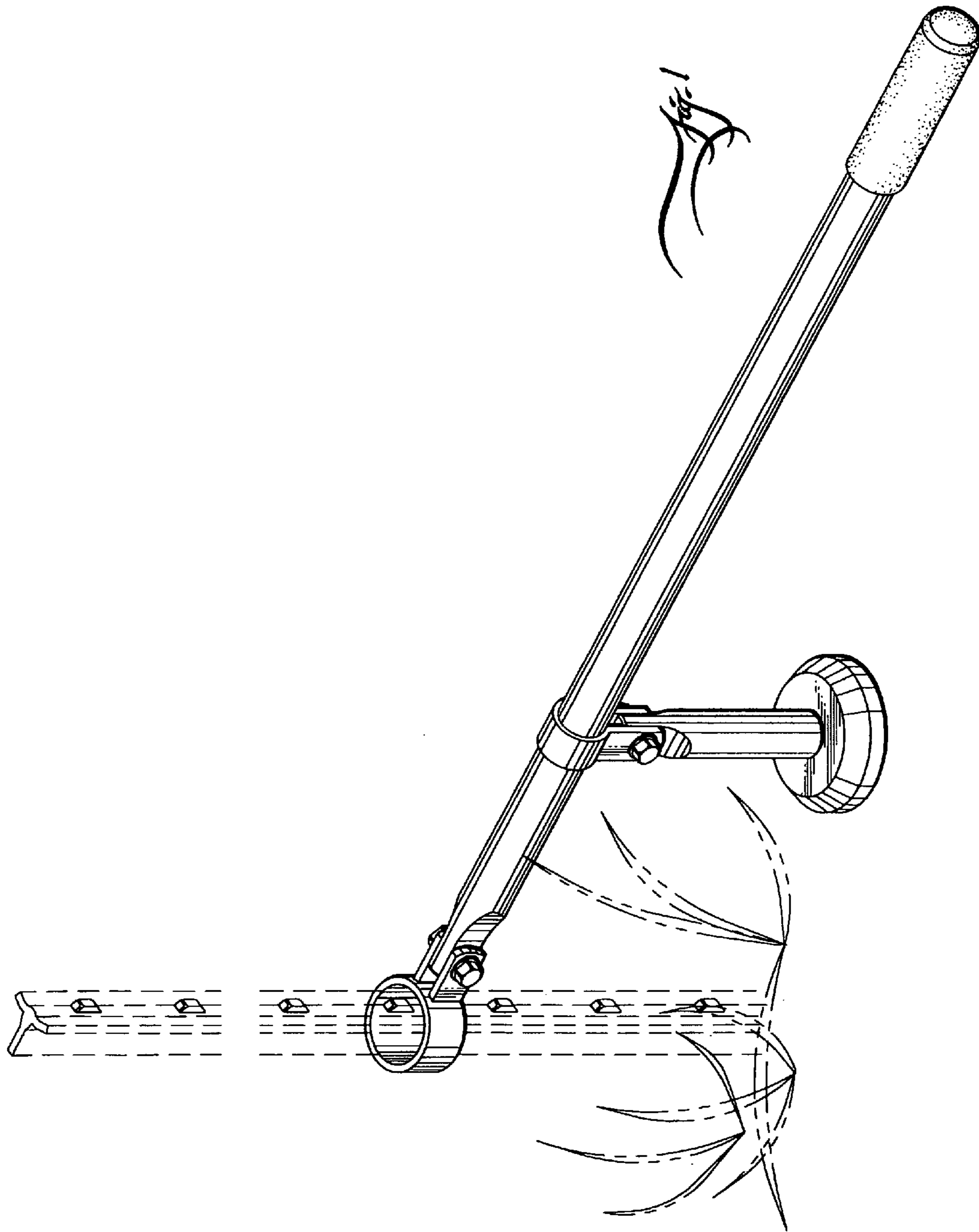
FIG. 6 is a rear elevational view thereof; and,

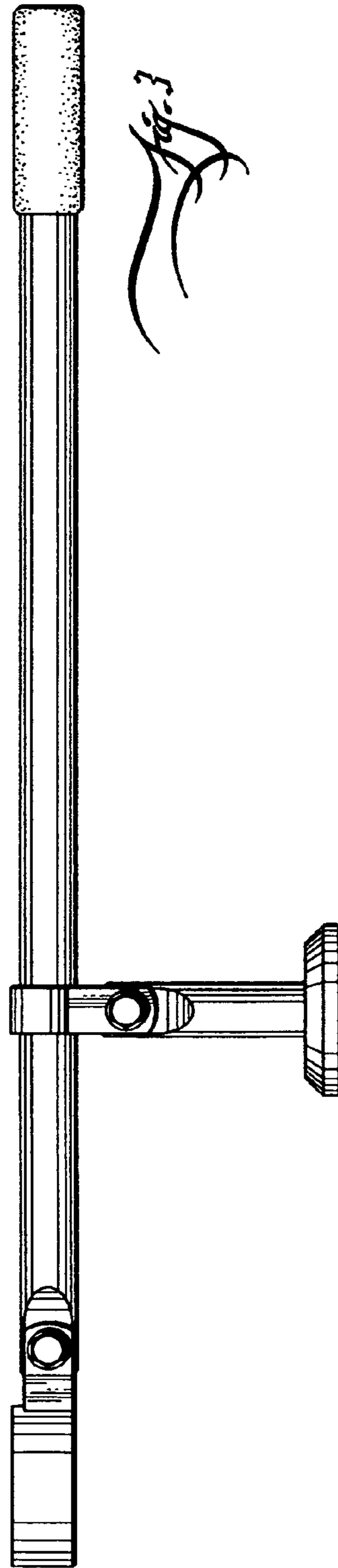
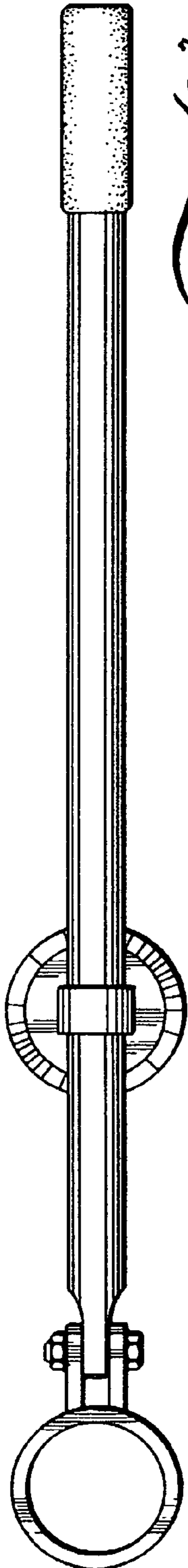
FIG. 7 is a bottom plan view thereof.

The broken line elements in FIG. 1 are environmental, and form no part of my new design.

1 Claim, 4 Drawing Sheets







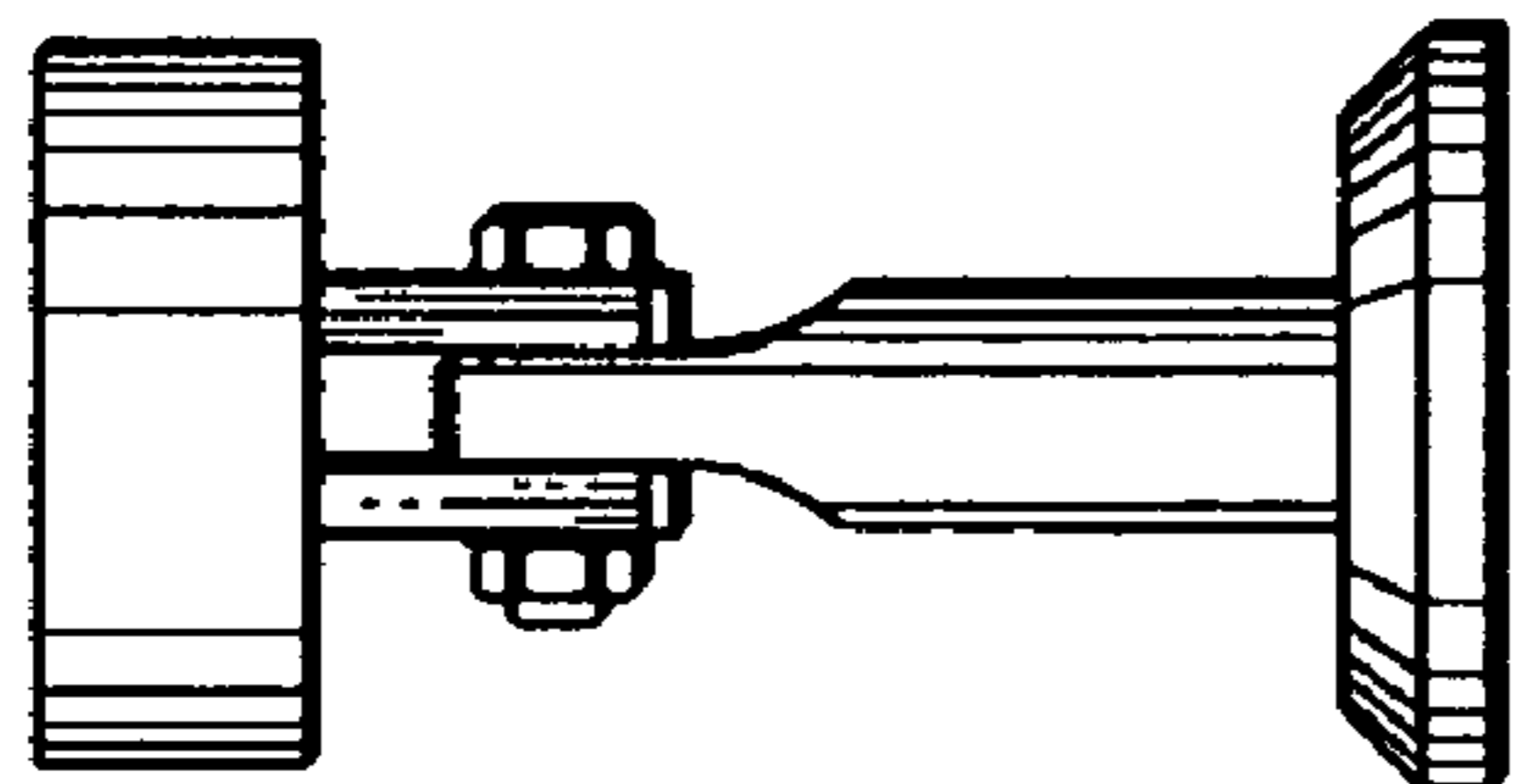


Fig. 4

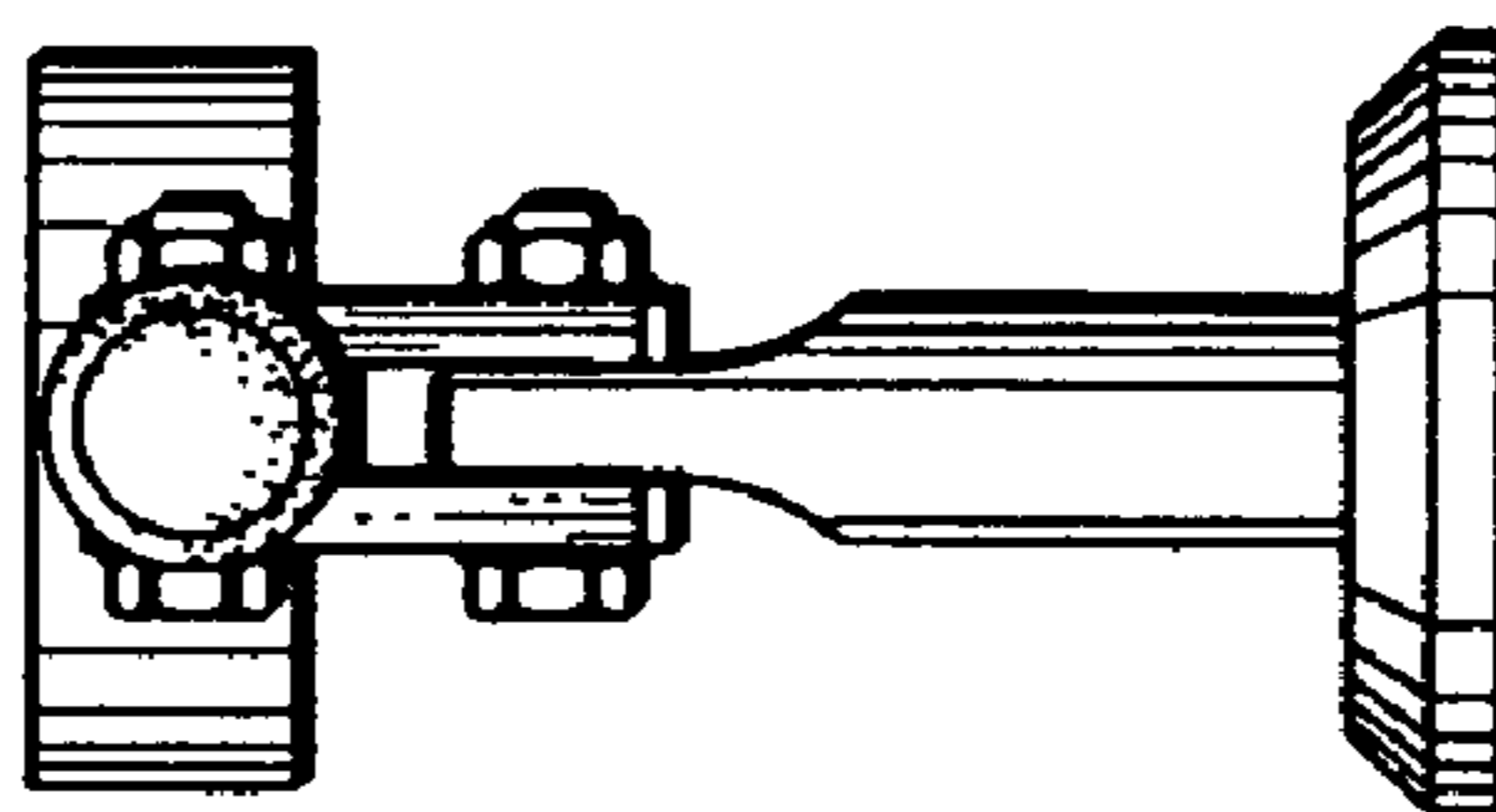


Fig. 5

