



US00D657216S

(12) **United States Design Patent**
Kriz et al.

(10) **Patent No.:** **US D657,216 S**
(45) **Date of Patent:** **** Apr. 10, 2012**

- (54) **ROTARY RATCHET WRENCH**
- (75) Inventors: **Anthony Kriz**, Lone Tree, CO (US);
Brent Christopher, Portland, OR (US);
Mark Holtan, Centennial, CO (US)
- (73) Assignee: **Meridan International Co., Ltd.** (CN)
- (**) Term: **14 Years**
- (21) Appl. No.: **29/392,630**
- (22) Filed: **May 24, 2011**

- 1,811,137 A 6/1931 Kress
- 2,028,561 A 1/1936 Pilger
- 2,500,835 A 3/1950 Lang
- 2,628,522 A 2/1953 Kraft
- 2,712,258 A 7/1955 Keith
- 2,751,802 A 6/1956 Reuillard
- 2,769,360 A 11/1956 Cottrell
- 2,951,405 A 9/1960 Engquist
- D224,677 S 8/1972 Lehnhard
- 4,748,875 A 6/1988 Lang
- D299,206 S 1/1989 Krapowicz
- 4,901,608 A 2/1990 Shieh
- 4,916,987 A 4/1990 Le Duc
- 5,119,701 A 6/1992 Wei

(Continued)

Related U.S. Application Data

- (60) Division of application No. 29/384,776, filed on Feb. 3, 2011, now Pat. No. Des. 640,518, which is a division of application No. 29/361,537, filed on May 12, 2010, now Pat. No. Des. 632,535, which is a continuation of application No. 12/617,200, filed on Nov. 12, 2009, now Pat. No. 8,069,753.
 - (51) **LOC (9) Cl.** **08-05**
 - (52) **U.S. Cl.** **D8/28**
 - (58) **Field of Classification Search** D8/17,
D8/21-29, 354, 107; 81/60, 177.1, 177.85,
81/121.1, 124.3, 165-170, 110.1, 176.2,
81/124.6, 176.1, 176.15, 177.2, 186; 16/110.1;
D15/144.1, 143; 219/75, 227, 229, 121.16,
219/121.18
- See application file for complete search history.

FOREIGN PATENT DOCUMENTS

- DE 1136950 9/1962
- (Continued)

OTHER PUBLICATIONS

- Sears, Craftsman Dog Bone SAE Wrench, Webpage—Product Description.
- (Continued)

Primary Examiner — Raphael Barkai
Assistant Examiner — Randall Gholson
 (74) *Attorney, Agent, or Firm* — Jason R. Sytsma;
 Shuttleworth & Ingersoll, PLC

- (57) **CLAIM**
The ornamental design for a rotary ratchet wrench, as shown.

(56) **References Cited**

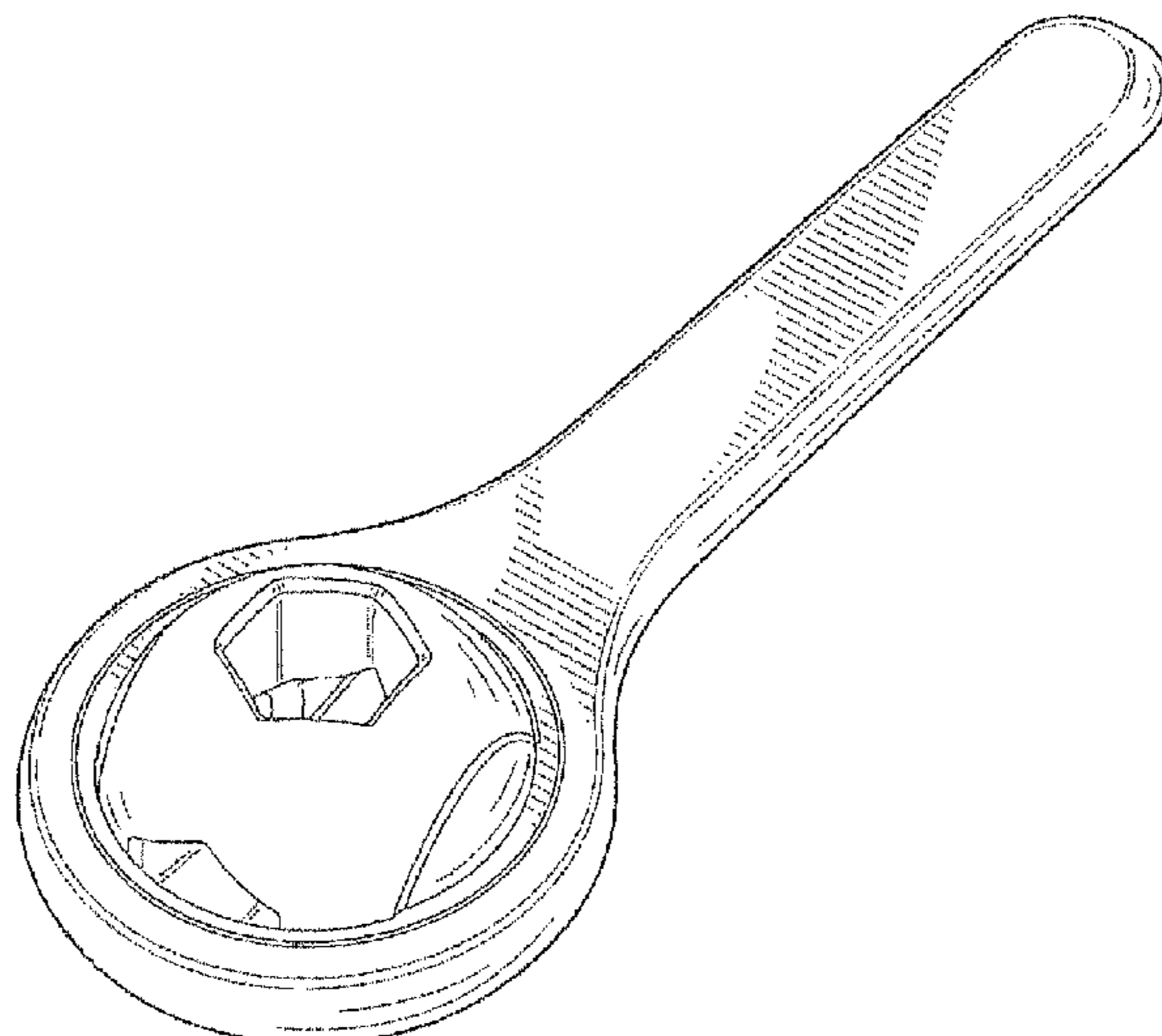
U.S. PATENT DOCUMENTS

- 65,550 A 6/1867 Dunlan
- 278,053 A 5/1883 Shipherd
- 915,446 A 3/1909 Kearnes
- D53,597 S 7/1919 Marcmann
- D57,323 S 3/1921 Evans
- 1,431,064 A 10/1922 Treisch
- 1,453,607 A 5/1923 Saucier
- 1,571,148 A 1/1926 Sisolak
- 1,796,083 A 3/1931 Carlberg

DESCRIPTION

FIG. 1 is a perspective view thereof;
 FIG. 2 is a top view thereof;
 FIG. 3 is a side view thereof; and,
 FIG. 4 is a front view thereof.
 Petitioner disclaims the shape and configuration of the features of those portions shown in broken lines.

1 Claim, 2 Drawing Sheets



US D657,216 S

Page 2

U.S. PATENT DOCUMENTS

D332,730 S 1/1993 Usuda
5,199,335 A 4/1993 Arnold et al.
5,568,751 A 10/1996 Lee
5,636,557 A 6/1997 Ma
5,848,561 A 12/1998 Hsieh
6,000,302 A 12/1999 Chiang
6,050,165 A 4/2000 Hall
6,134,990 A 10/2000 Ling et al.
6,282,992 B1 9/2001 Hu
6,295,898 B1 10/2001 Hsieh
6,405,621 B1 6/2002 Krivec et al.
6,453,779 B2 9/2002 Hu
6,626,067 B1 9/2003 Iwinski et al.
6,629,477 B2 10/2003 Ling et al.
6,722,234 B2 4/2004 Hu
D492,556 S 7/2004 Barry et al.
6,769,330 B2 8/2004 Chang
6,862,956 B1 3/2005 Chen
6,868,759 B2 3/2005 Tuan-Mu
D506,373 S 6/2005 Hsien
6,918,323 B2 7/2005 Arnold et al.
6,971,286 B2 12/2005 Hu
7,032,478 B2 4/2006 Hu
7,082,860 B2 8/2006 Shu-Sui et al.
7,185,566 B2 3/2007 Arnold et al.

7,231,851 B2 6/2007 Tuan-Mu
7,237,460 B2 7/2007 Hu
D551,525 S 9/2007 Desbrunes
7,267,033 B1 9/2007 Lai
7,299,720 B1 11/2007 Schultz et al.
7,311,022 B2 12/2007 Putney et al.
7,318,366 B2 1/2008 Lee et al.
7,444,902 B1 11/2008 Lin et al.
7,444,904 B2 11/2008 Huang
7,478,577 B1 1/2009 Wheeler
7,523,688 B2 4/2009 Putney et al.
D601,871 S 10/2009 Murray
2005/0178247 A1 8/2005 Arnold et al.
2007/0044600 A1 3/2007 Chen
2007/0107560 A1 5/2007 Chiang

FOREIGN PATENT DOCUMENTS

DE 2231385 1/1974
DE 202004000843 4/2004
EP 0079440 5/1983
FR 630775 12/1927

OTHER PUBLICATIONS

Snap-On, Wrench, Ratcheting Box, 25° Offset, Product Webpage.
European Search Report dated Feb. 17, 2011 from related foreign application.

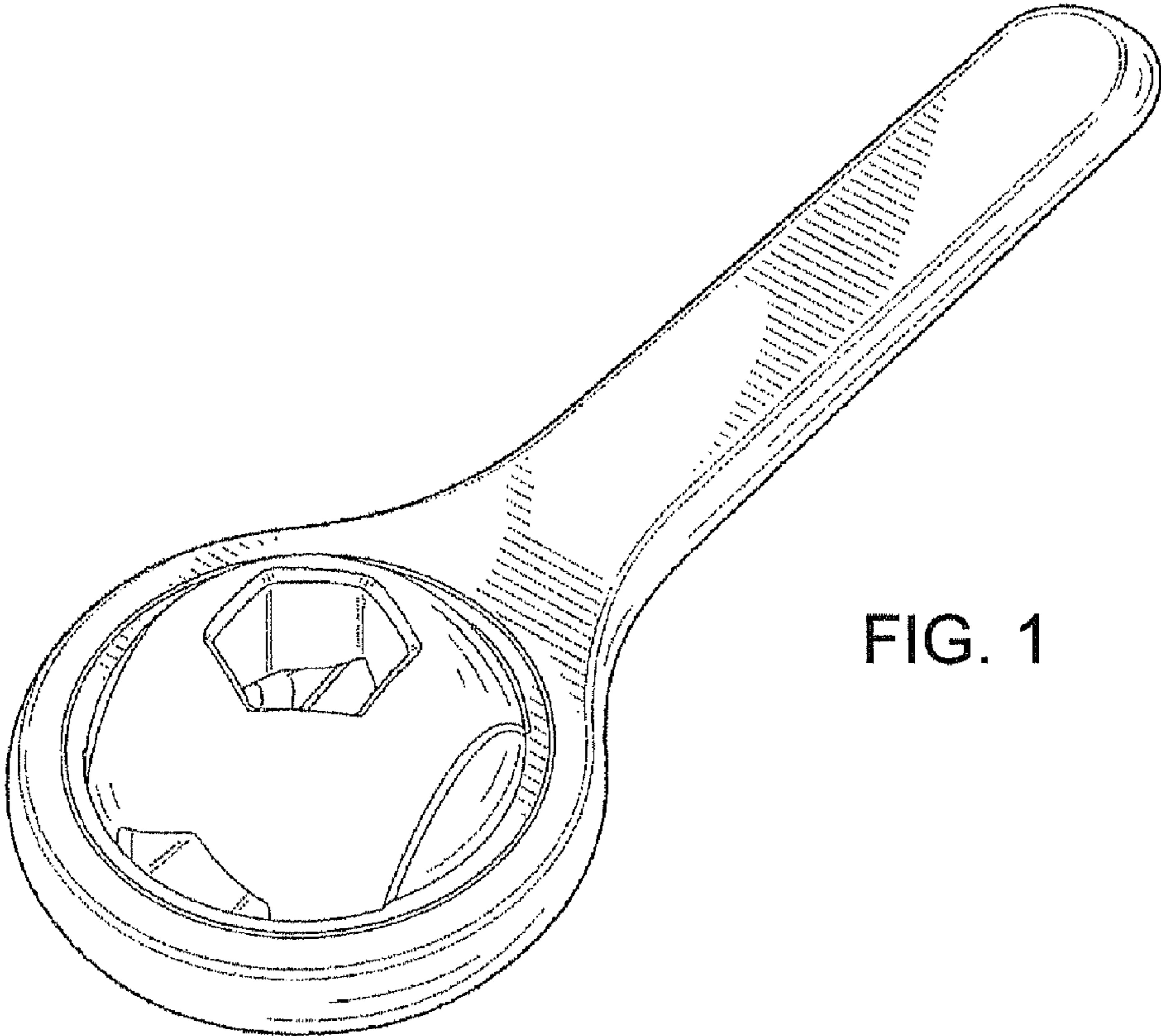


FIG. 1

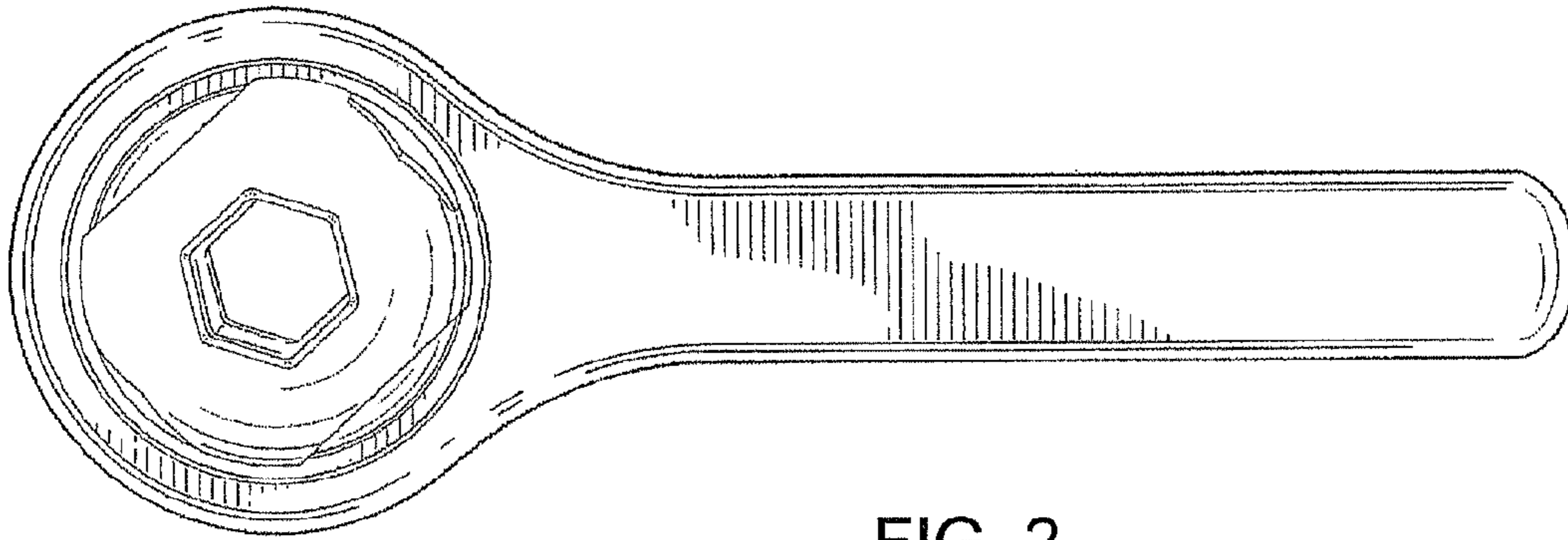


FIG. 2

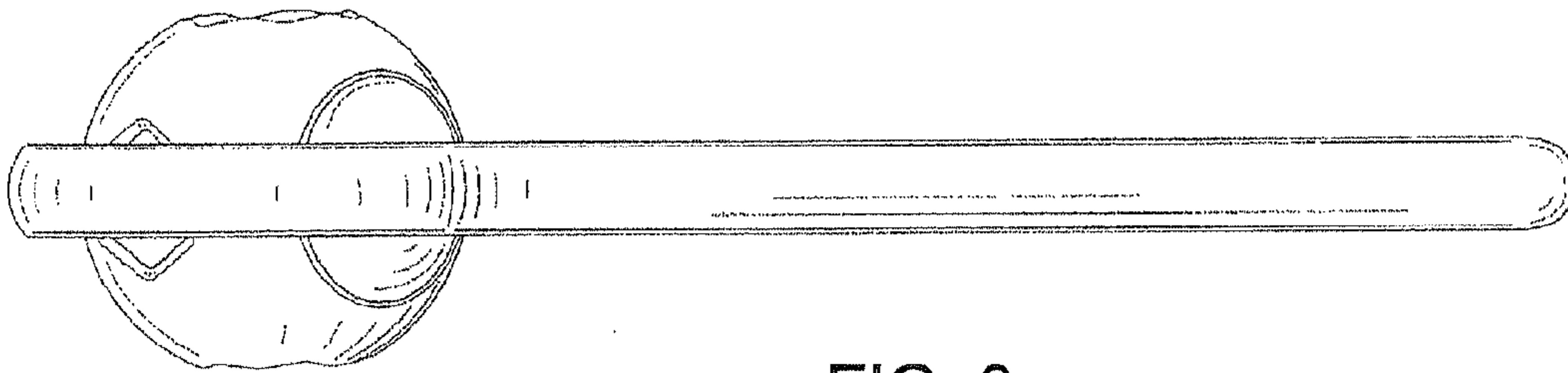


FIG. 3

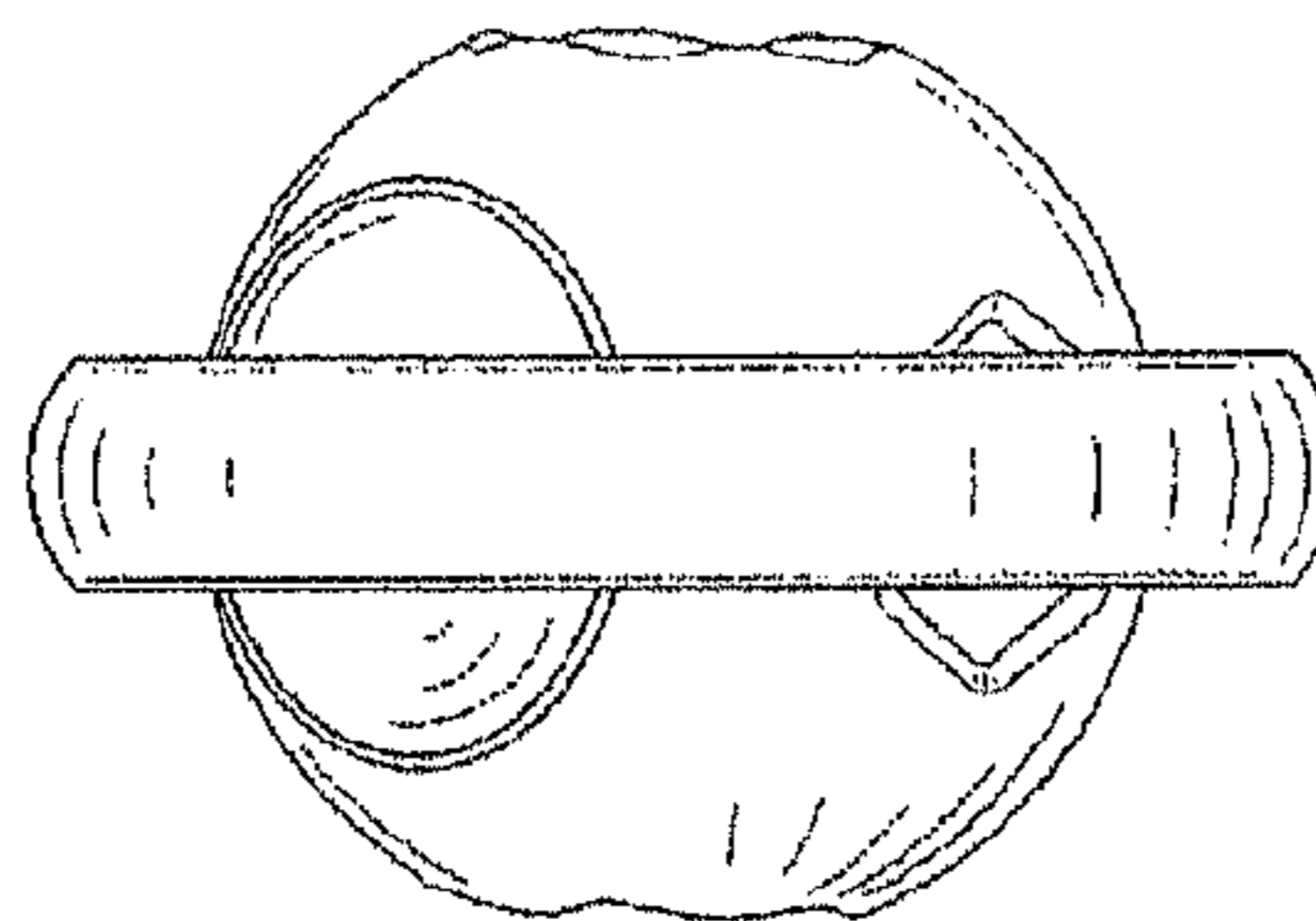


FIG. 4

UNITED STATES PATENT AND TRADEMARK OFFICE
Certificate

Patent No. D657,216 S

Patented: April 10, 2012

On petition requesting issuance of a certificate for correction of inventorship pursuant to 35 U.S.C. 256, it has been found that the above identified patent, through error and without any deceptive intent, improperly sets forth the inventorship.

Accordingly, it is hereby certified that the correct inventorship of this patent is: Anthony Kriz, Lone Tree, CO (US); Brent Christopher, Portland, OR (US); Mark Holtan, Centennial, CO (US); and YaoKun Gui, Shanghai (CN).

Signed and Sealed this Seventeenth Day of July 2012.

Robert M. Spear
Supervisory Patent Examiner
Art Unit 2915
Technology Center 2900

UNITED STATES PATENT AND TRADEMARK OFFICE
CERTIFICATE OF CORRECTION

PATENT NO. : D657,216 S
APPLICATION NO. : 29/392630
DATED : April 10, 2012
INVENTOR(S) : Anthony Kriz et al.

Page 1 of 1

It is certified that error appears in the above-identified patent and that said Letters Patent is hereby corrected as shown below:

On the Title Page

Item (73) the Assignee should read: "Meridian International Co., Ltd."

Signed and Sealed this
First Day of October, 2013



Teresa Stanek Rea
Deputy Director of the United States Patent and Trademark Office