

US00D657214S

(12) **United States Design Patent**
Chen

(10) **Patent No.:** **US D657,214 S**
(45) **Date of Patent:** **** Apr. 10, 2012**

(54) **RATCHET TOOL**

(76) Inventor: **Bo-Shen Chen**, Taichung (TW)

(**) Term: **14 Years**

(21) Appl. No.: **29/398,306**

(22) Filed: **Jul. 28, 2011**

(51) **LOC (9) Cl.** **08-05**

(52) **U.S. Cl.** **D8/25**

(58) **Field of Classification Search** D8/21-29,
D8/40, 42, 98; 81/177.1, 177.85, 121.1,
81/124.3, 165-170, 110.1, 176.2, 124.6,
81/176.1, 176.15, 60, 62, 177.2; 16/110.1;
D15/144.1; 219/75, 227, 229, 121.16, 121.18
See application file for complete search history.

(56) **References Cited**

U.S. PATENT DOCUMENTS

D271,937	S	*	12/1983	Combs	D8/83
D292,771	S	*	11/1987	Kim	D8/25
D387,964	S	*	12/1997	Urvoy	D8/83
D400,430	S	*	11/1998	McDonough et al.	D8/387
6,079,298	A	*	6/2000	Gasperi et al.	81/63.1
6,138,531	A	*	10/2000	Lamons	81/60
D470,369	S	*	2/2003	Byram et al.	D8/25

D472,947	S	*	4/2003	Wu	D21/694
D496,845	S	*	10/2004	Smeja et al.	D8/107
7,240,527	B2	*	7/2007	Boyd	70/456 R
7,448,300	B2	*	11/2008	Barniak, Jr.	81/124.2

* cited by examiner

Primary Examiner — Raphael Barkai
Assistant Examiner — Randall H Gholson

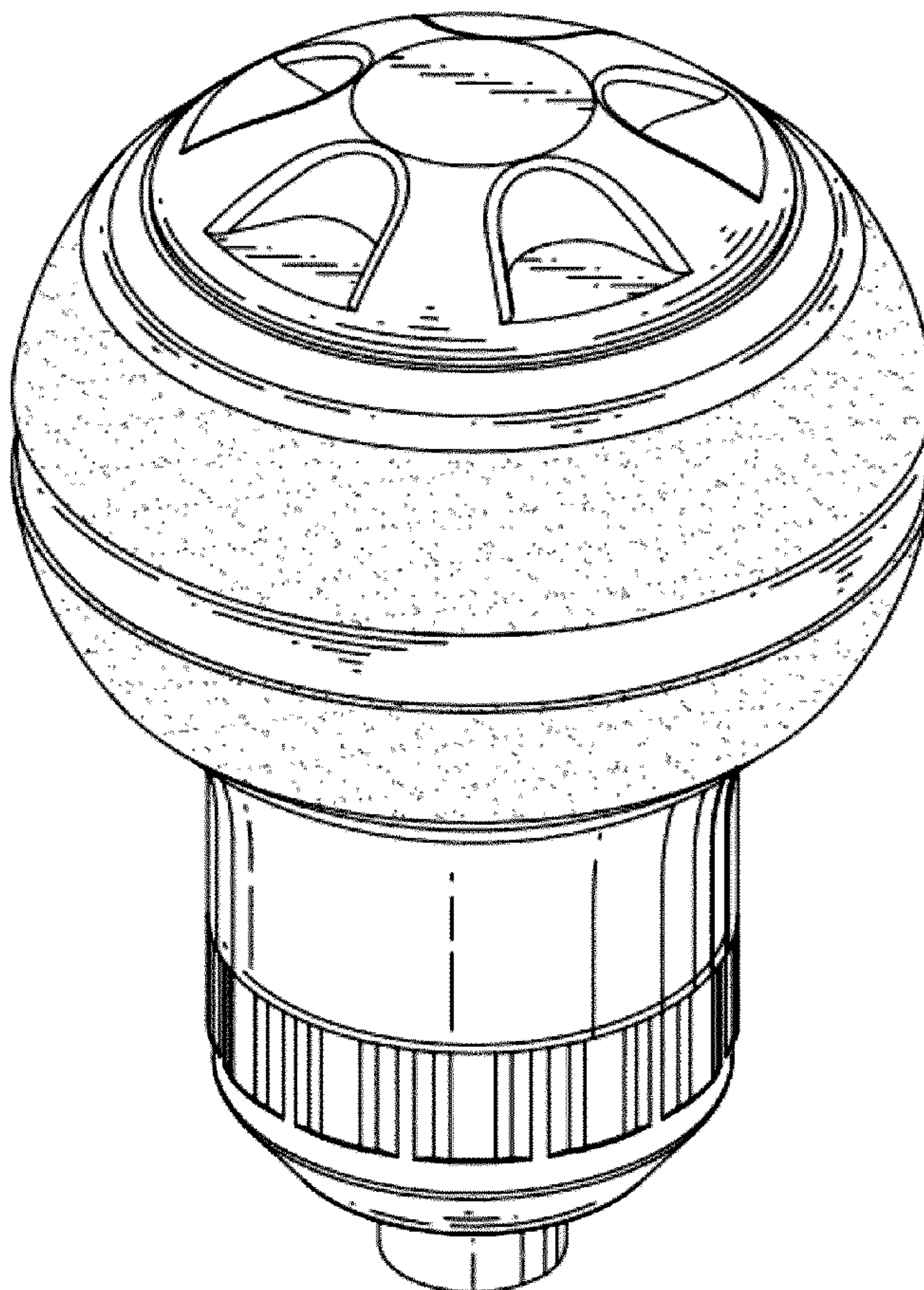
(57) **CLAIM**

The ornamental design for a ratchet tool, as shown and described.

DESCRIPTION

FIG. 1 is a perspective view of a ratchet tool showing my new design;
FIG. 2 is a front elevational view thereof;
FIG. 3 is a rear elevational view thereof;
FIG. 4 is a left side elevational view thereof;
FIG. 5 is a right side elevational view thereof;
FIG. 6 is a top plan view thereof;
FIG. 7 is a bottom plan view thereof; and,
FIG. 8 is a perspective view thereof shown in use.
The broken lines are intended to show features that are environmental only and form no part of the claimed design.

1 Claim, 7 Drawing Sheets



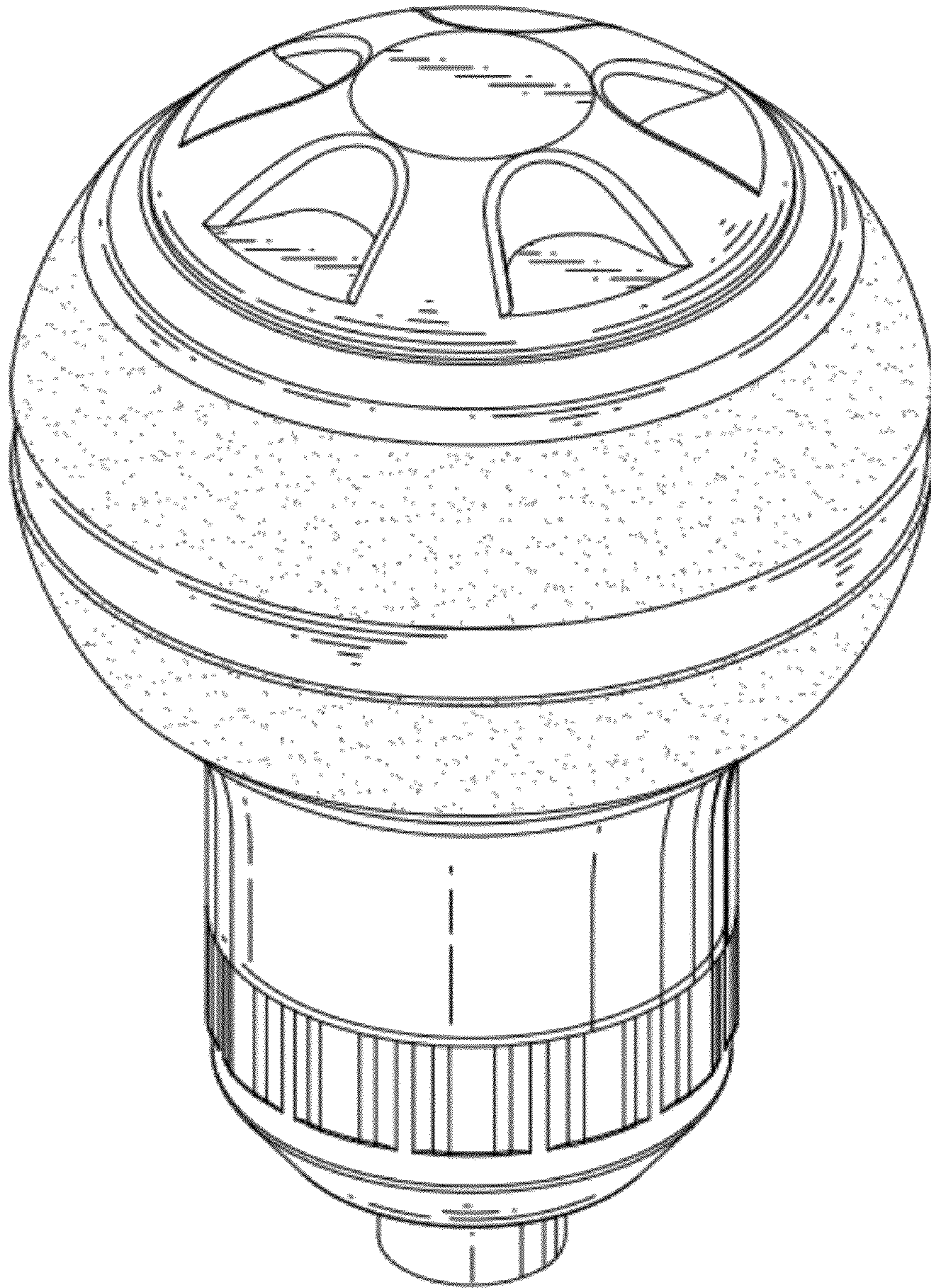


FIG. 1

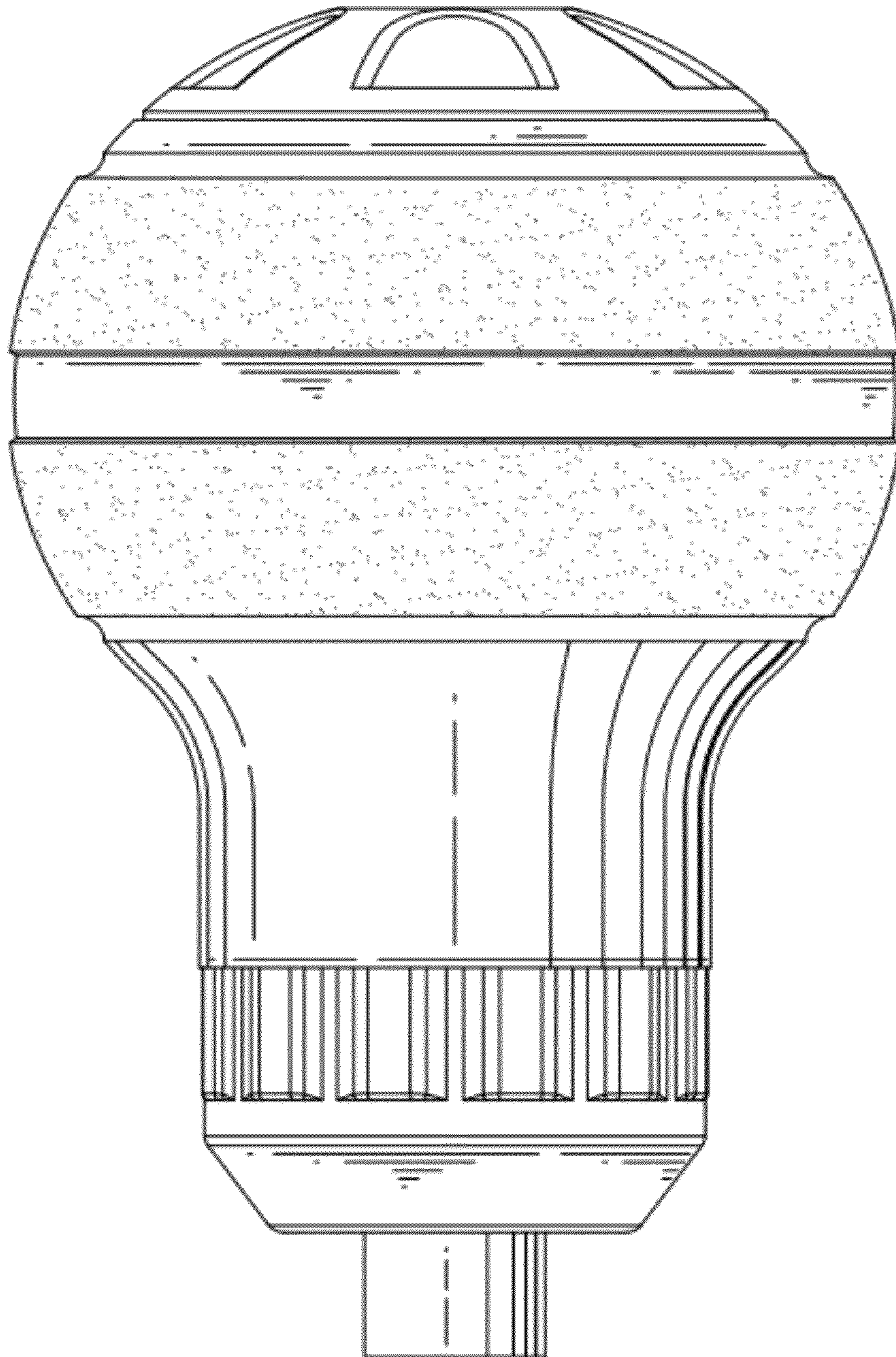


FIG. 2

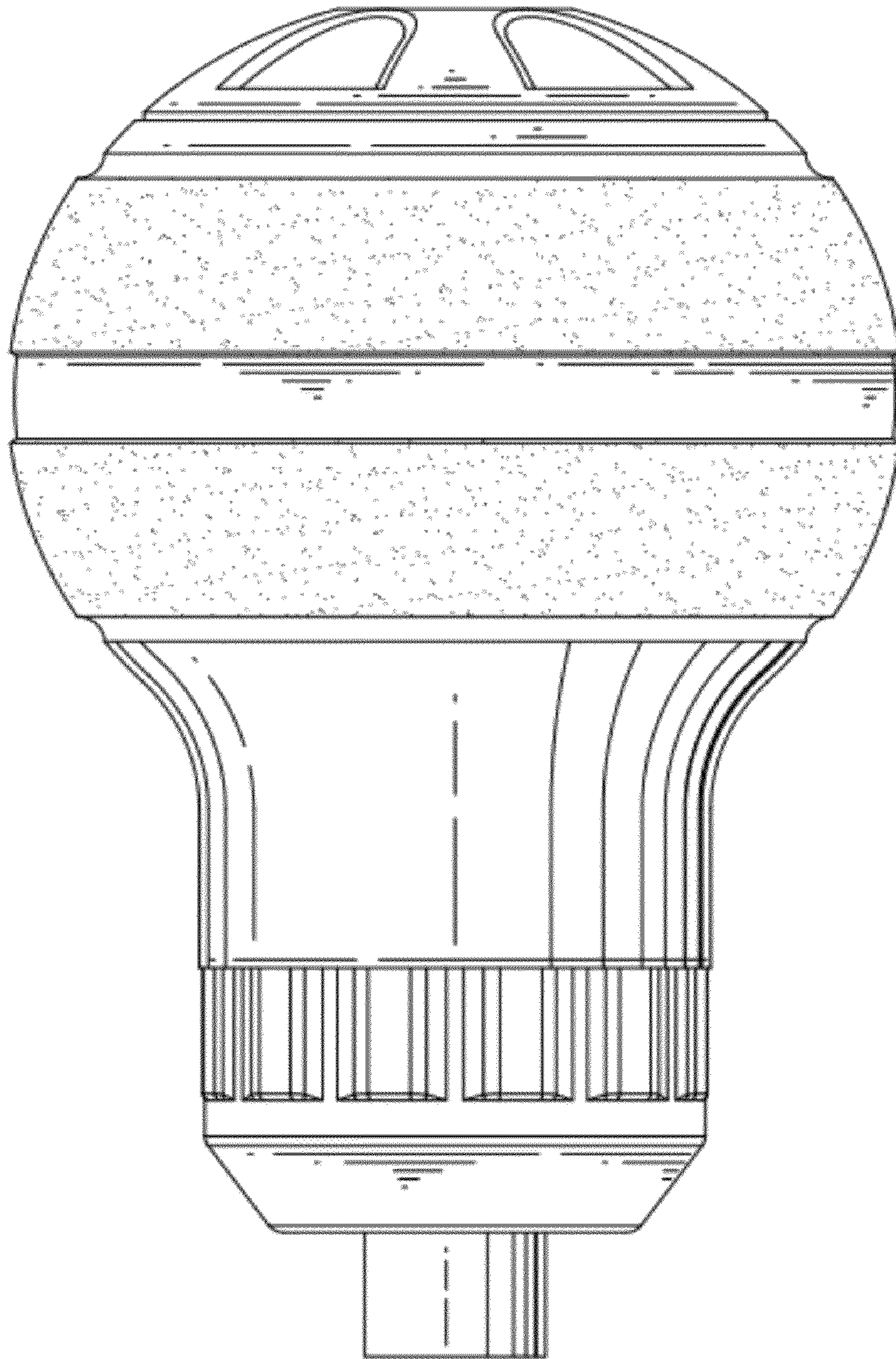


FIG. 3

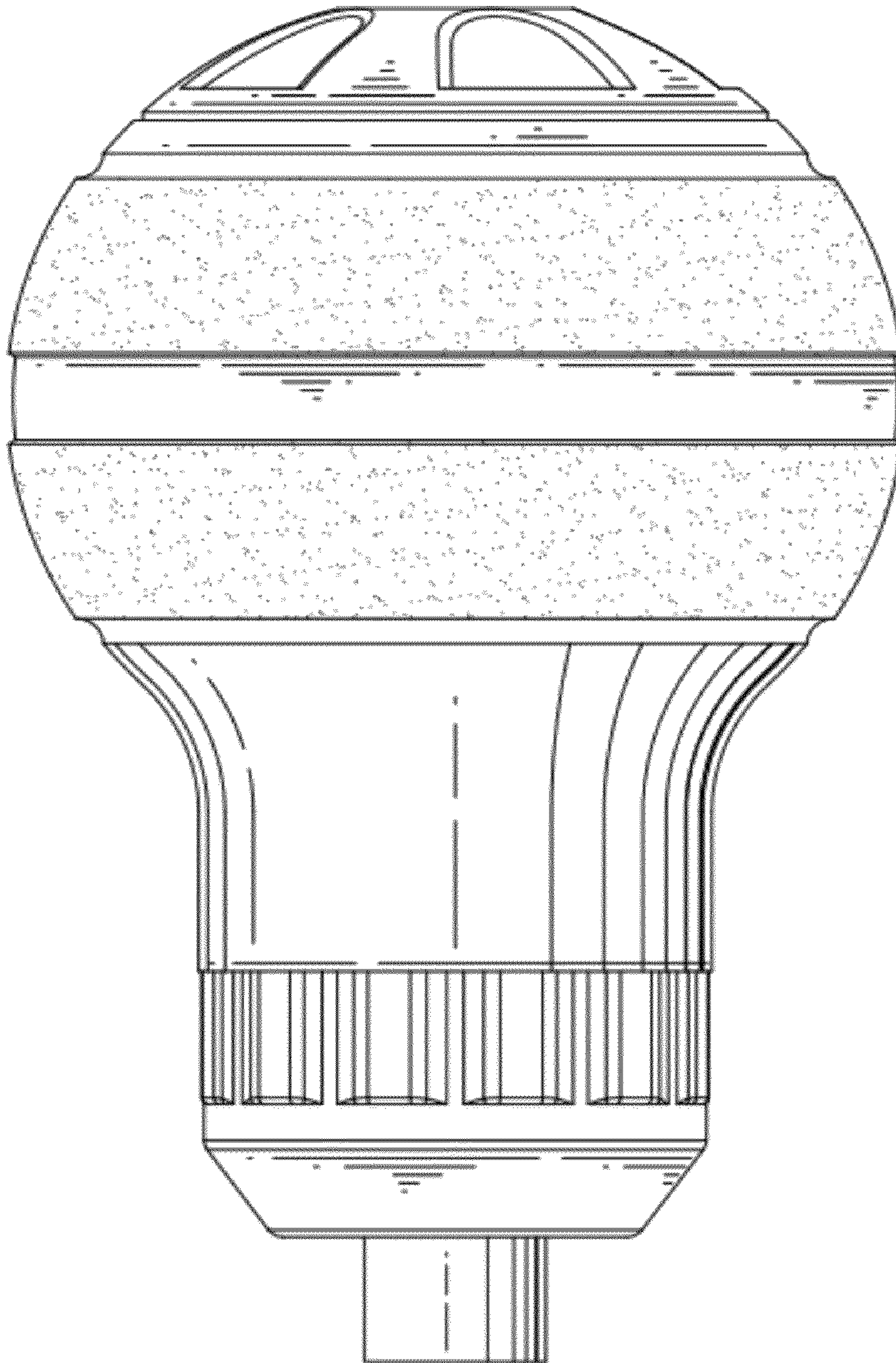


FIG. 4

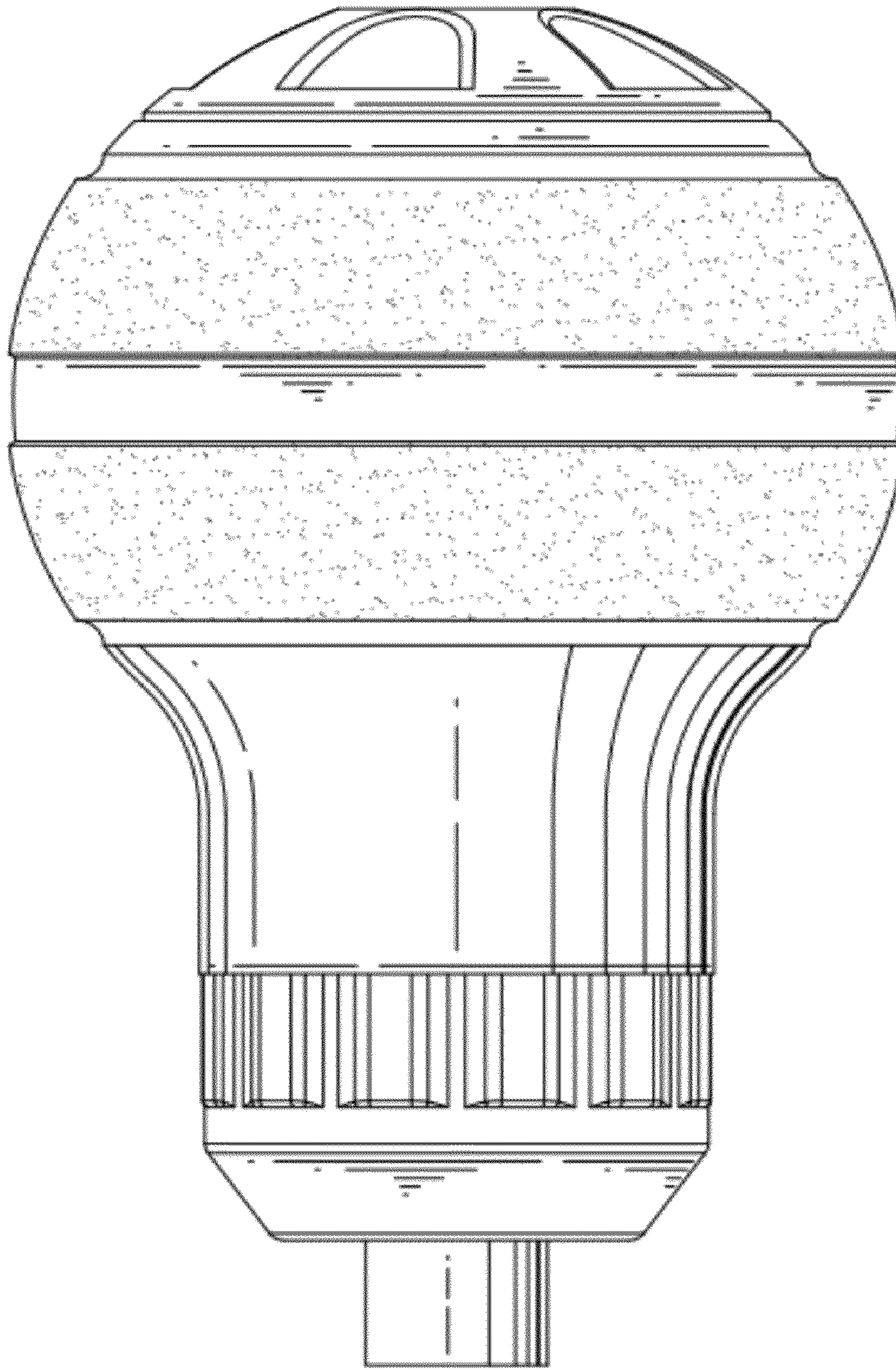


FIG. 5

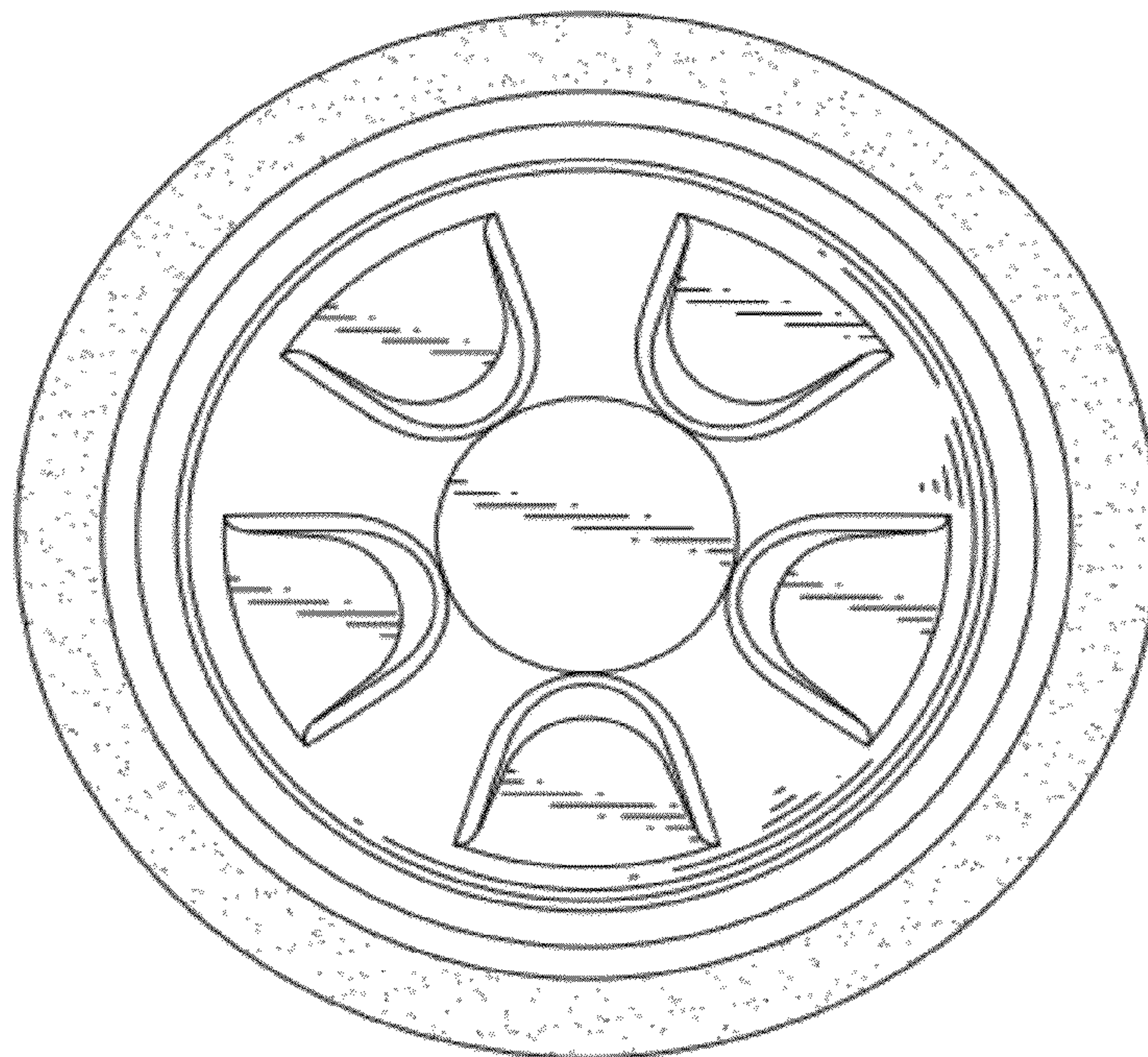


FIG. 6

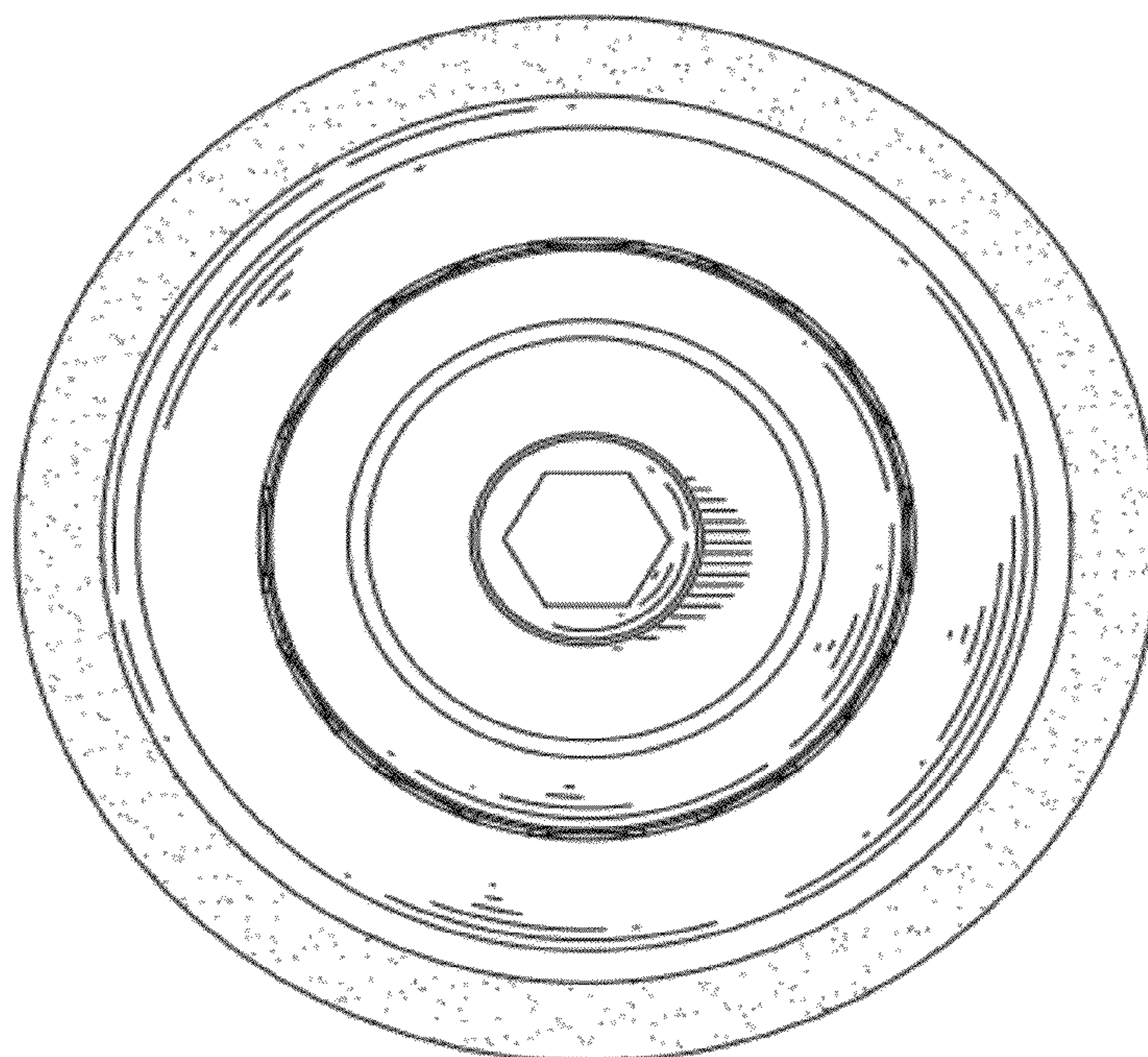


FIG. 7

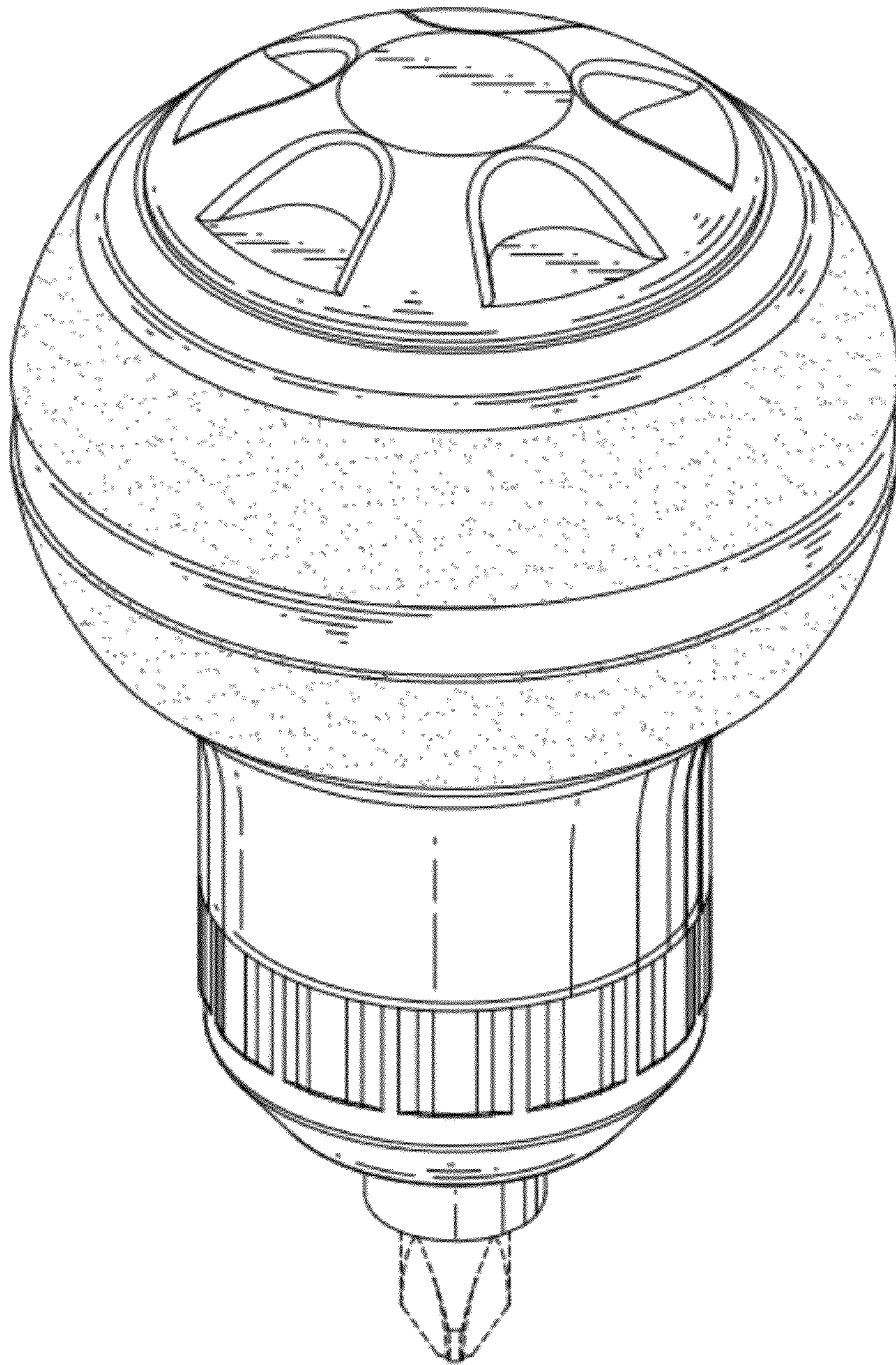


FIG. 8