



US00D657212S

(12) **United States Design Patent**
Paré et al.

(10) **Patent No.:** **US D657,212 S**
(45) **Date of Patent:** **** Apr. 10, 2012**

(54) **WEEDER**

(75) Inventors: **Richard Paré**, Boucherville (CA);
François Gaucher, Beloeil (CA);
Benoit Orban, St-Lambert (CA);
Patrick Mainville, Montreal (CA);
David Boies, Lévis (CA); **Alex**
Raymond, Lévis (CA); **Patrick Juliën**,
Lévis (CA)

(73) Assignee: **Garant GP**, Saint-François (CA)

(**) Term: **14 Years**

(21) Appl. No.: **29/386,055**

(22) Filed: **Feb. 24, 2011**

(51) **LOC (9) Cl.** **08-01**

(52) **U.S. Cl.** **D8/8**

(58) **Field of Classification Search** D8/8, 1,
D8/7; D15/12; 172/381; 294/50.7-50.9,
294/65.5

See application file for complete search history.

(56) **References Cited**

U.S. PATENT DOCUMENTS

D234,018	S	*	12/1974	De Brey	D8/8
5,232,256	A	*	8/1993	Forbes	294/50.9
5,234,241	A		8/1993	Ikerd		
5,441,118	A		8/1995	Cruz, Jr.		
6,076,614	A		6/2000	Gracy		
6,257,346	B1		7/2001	Schofield et al.		
6,330,921	B1		12/2001	Barber		
6,349,776	B1		2/2002	Hus		
6,662,879	B1		12/2003	Costa		

6,739,401	B1		5/2004	Sova		
6,827,153	B2		12/2004	Constable		
6,951,254	B2		10/2005	Morrison		
7,063,168	B2		6/2006	Paloheimo et al.		
7,117,954	B2		10/2006	Vipond		
D550,525	S	*	9/2007	Aglassinger	D8/8
7,314,095	B2		1/2008	Cobb		
7,344,171	B1		3/2008	McMullan		
7,347,276	B2		3/2008	Basek		
D585,253	S	*	1/2009	Aglassinger	D8/8
7,819,447	B1	*	10/2010	Ange	294/50.9
D646,131	S	*	10/2011	Renfu	D8/7

* cited by examiner

Primary Examiner — Cynthia M Chin

Assistant Examiner — Sheryl Lane

(74) *Attorney, Agent, or Firm* — Goudreau Gage Dubuc;
Gwendoline Bruneau

(57) **CLAIM**

The ornamental design for a weeder, as shown and described.

DESCRIPTION

FIG. 1 is a perspective front view of a weeder showing the new design;

FIG. 2 is a first side view of the weeder of FIG. 1;

FIG. 3 is a second side view of the weeder of FIG. 1;

FIG. 4 is a front view of the weeder of FIG. 1;

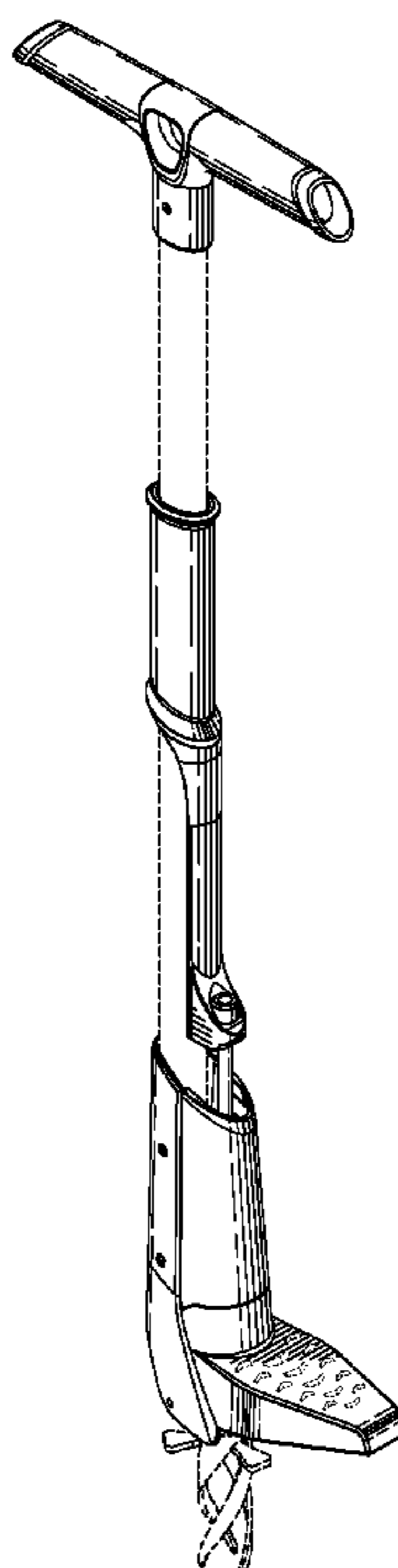
FIG. 5 is a top view of the weeder of FIG. 1;

FIG. 6 is a back view of the weeder of FIG. 1; and,

FIG. 7 is a bottom view of the weeder of FIG. 1.

The design consists of the features of shape, pattern, configuration and ornamentation of the weeder as shown in solid lines. The broken lines do not form part of the design.

1 Claim, 5 Drawing Sheets



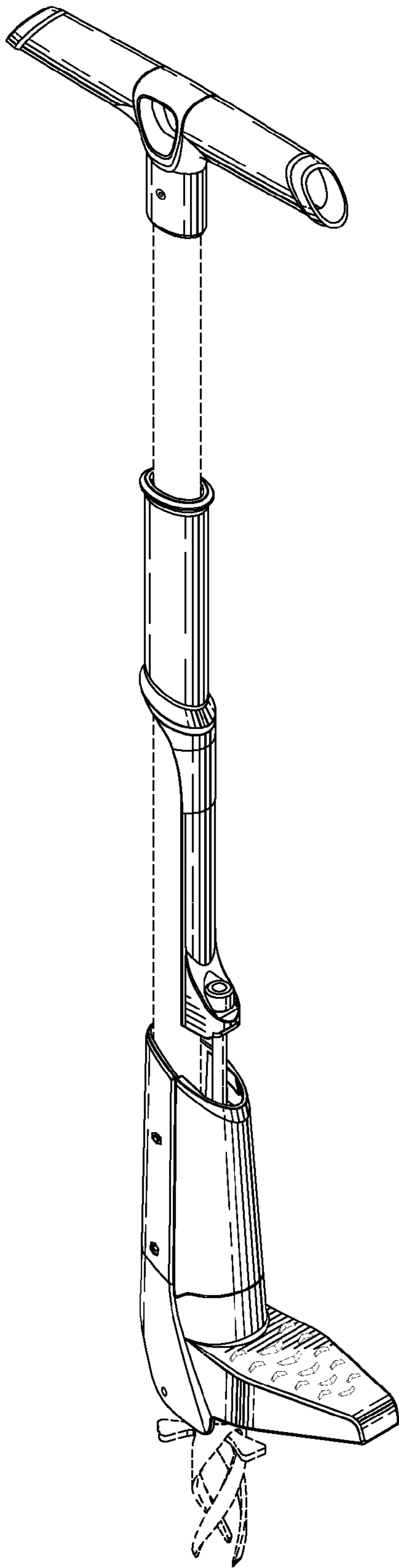
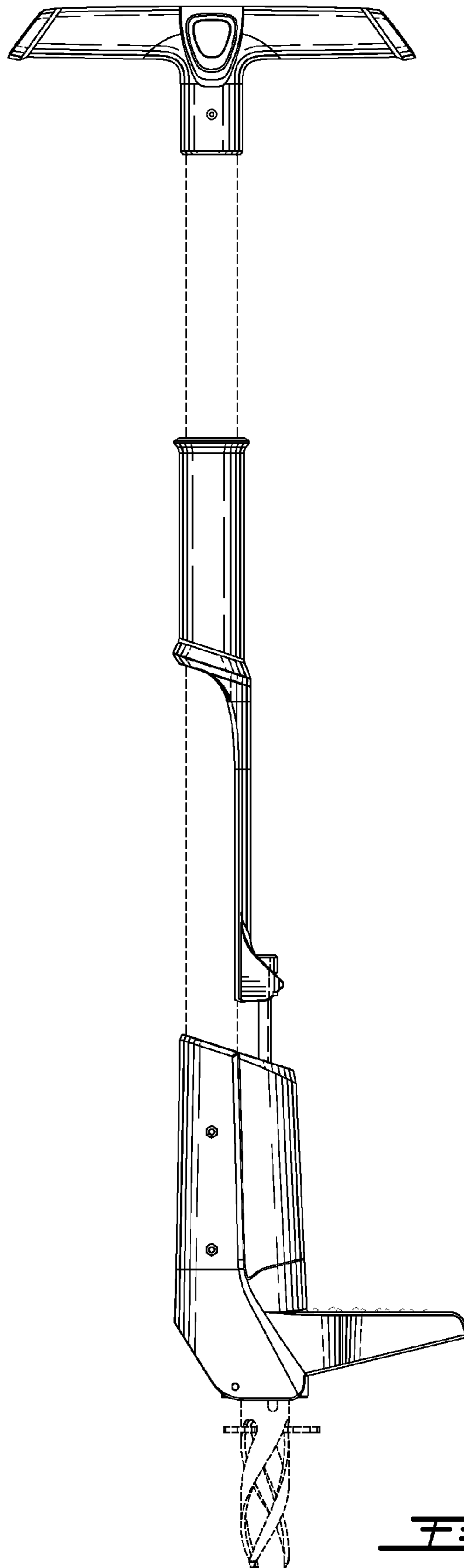


FIG. 1



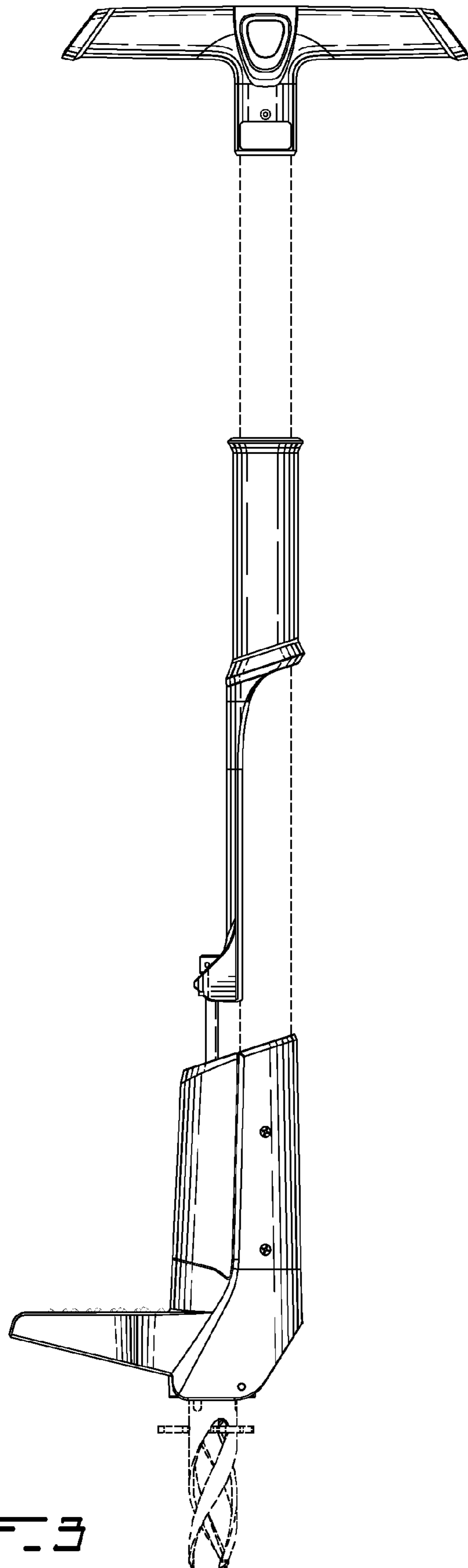


FIG. 3

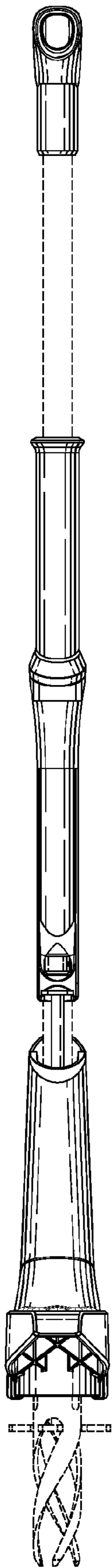


FIG. 4

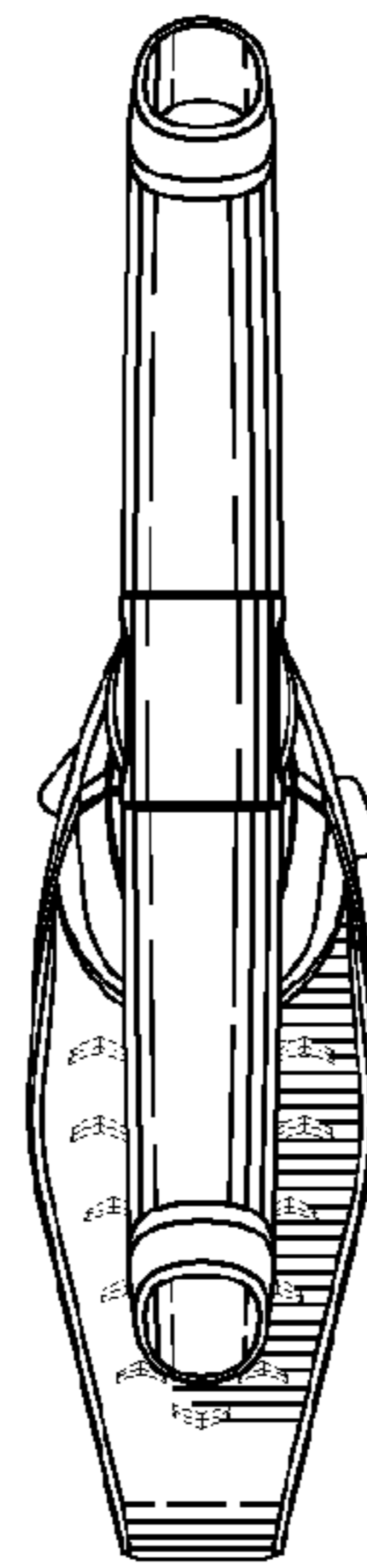


FIG. 5

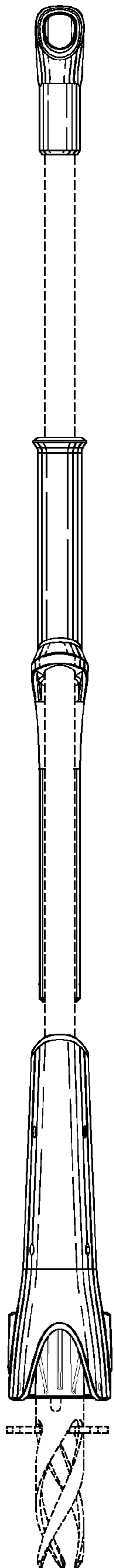


FIG. 6

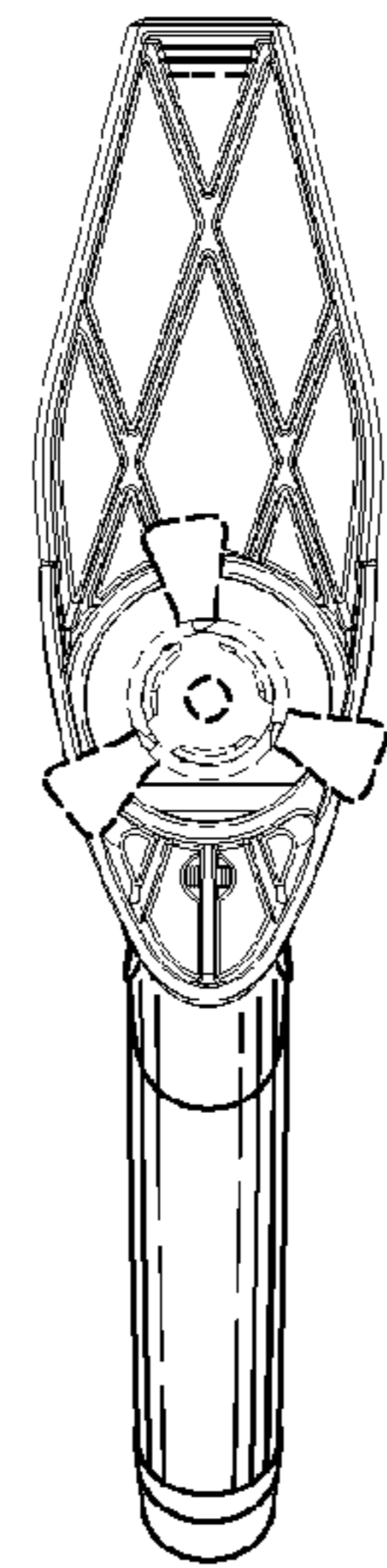


FIG. 7