



US00D657211S

(12) **United States Design Patent**  
**Kosugi et al.**

(10) **Patent No.:** **US D657,211 S**  
(45) **Date of Patent:** **\*\* Apr. 10, 2012**

(54) **PRUNING MACHINE**

(75) Inventors: **Shingo Kosugi**, Hitachinaka (JP);  
**Shinichi Kakefuda**, Hitachinaka (JP);  
**Fukushi Tamura**, Hitachinaka (JP)

(73) Assignee: **Hitachi Koki Co., Ltd.**, Tokyo (JP)

(\*\*) Term: **14 Years**

(21) Appl. No.: **29/380,279**

(22) Filed: **Dec. 2, 2010**

(30) **Foreign Application Priority Data**

Jun. 3, 2010 (JP) ..... 2010-013692

(51) **LOC (9) Cl.** ..... **08-01**

(52) **U.S. Cl.** ..... **D8/8**

(58) **Field of Classification Search** ..... D8/8, 7,  
D8/9; D15/17, 1; 30/276, 208-210, 347,  
30/228, 382-383; 56/12.7, 22-234  
See application file for complete search history.

(56) **References Cited**

**U.S. PATENT DOCUMENTS**

D463,229 S \* 9/2002 Gabriel ..... D8/8  
D468,600 S \* 1/2003 Evans ..... D8/8  
D543,805 S \* 6/2007 Houghton ..... D8/8  
D580,238 S \* 11/2008 Murray ..... D8/8

D580,239 S \* 11/2008 Murray ..... D8/8  
D582,225 S \* 12/2008 Bochmann et al. .... D8/8  
D623,487 S \* 9/2010 Tinius ..... D8/8  
D623,909 S \* 9/2010 Tate et al. .... D8/8  
D624,371 S \* 9/2010 Tinius ..... D8/8

\* cited by examiner

*Primary Examiner* — Cynthia M Chin

*Assistant Examiner* — Sheryl Lane

(74) *Attorney, Agent, or Firm* — Sughrue Mion PLLC

(57) **CLAIM**

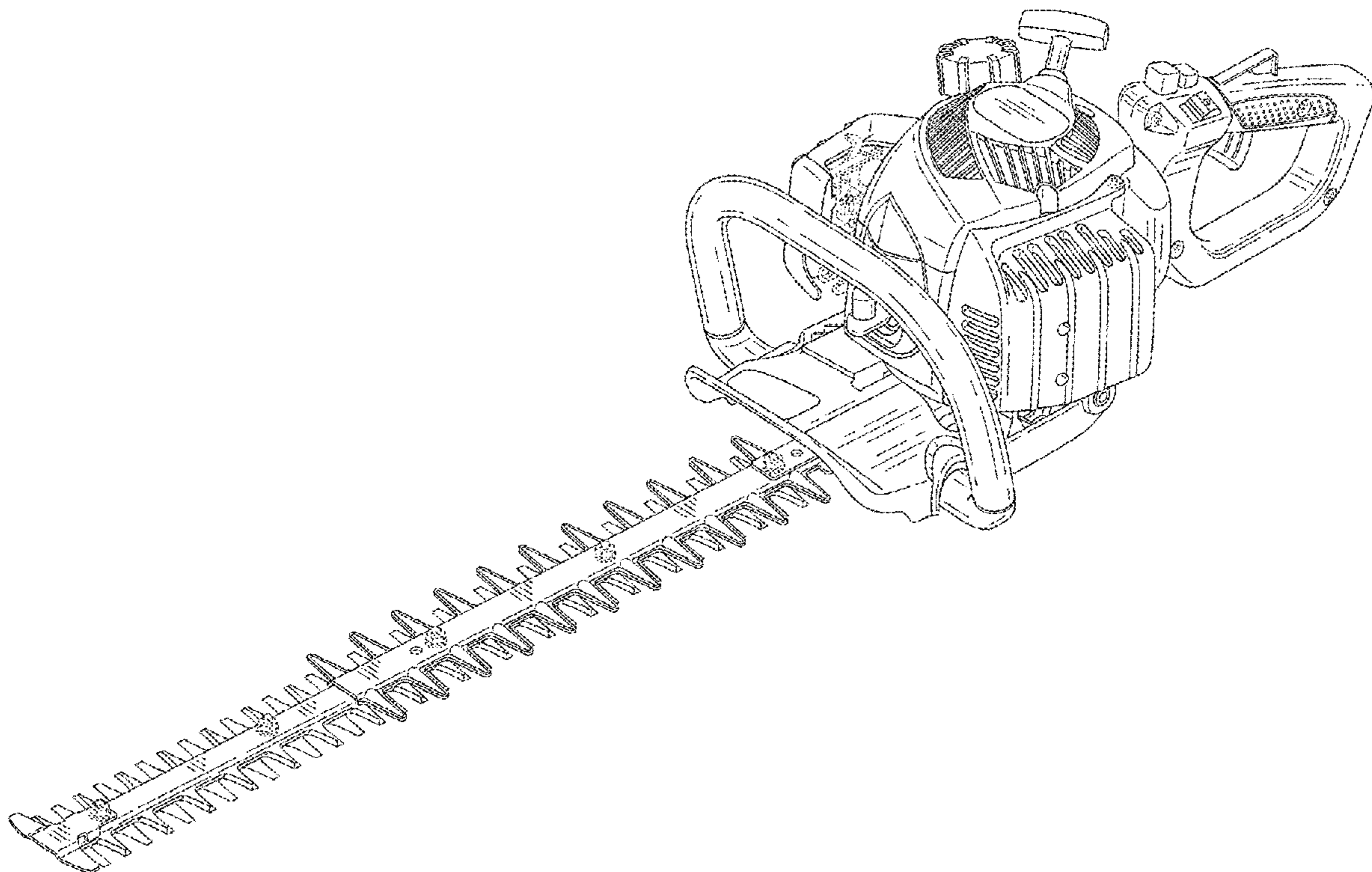
The ornamental design for a pruning machine, as shown and described.

**DESCRIPTION**

FIG. 1 is a perspective view of top, front and left side of a pruning machine showing our new design;  
FIG. 2 is a perspective view of top, rear and right side of a pruning machine showing our new design;  
FIG. 3 is a front view thereof;  
FIG. 4 is a rear view thereof;  
FIG. 5 is a top plan view thereof;  
FIG. 6 is a bottom view thereof;  
FIG. 7 is a left side view thereof; and,  
FIG. 8 is a right side view thereof.

The broken line showing of the pruning device is included for the purpose of illustrating portions of the article that form no part of the claimed design.

**1 Claim, 5 Drawing Sheets**



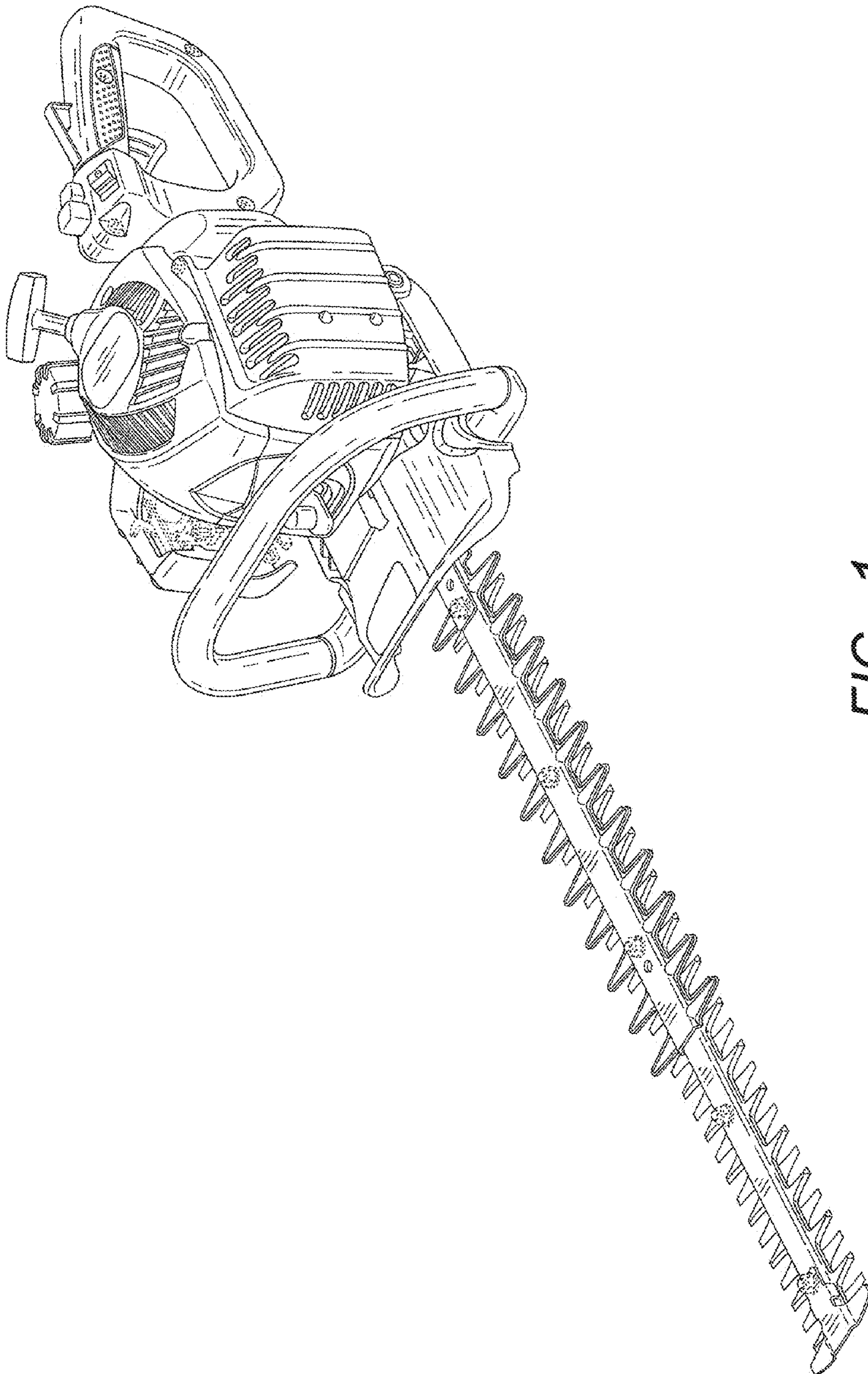


FIG. 1

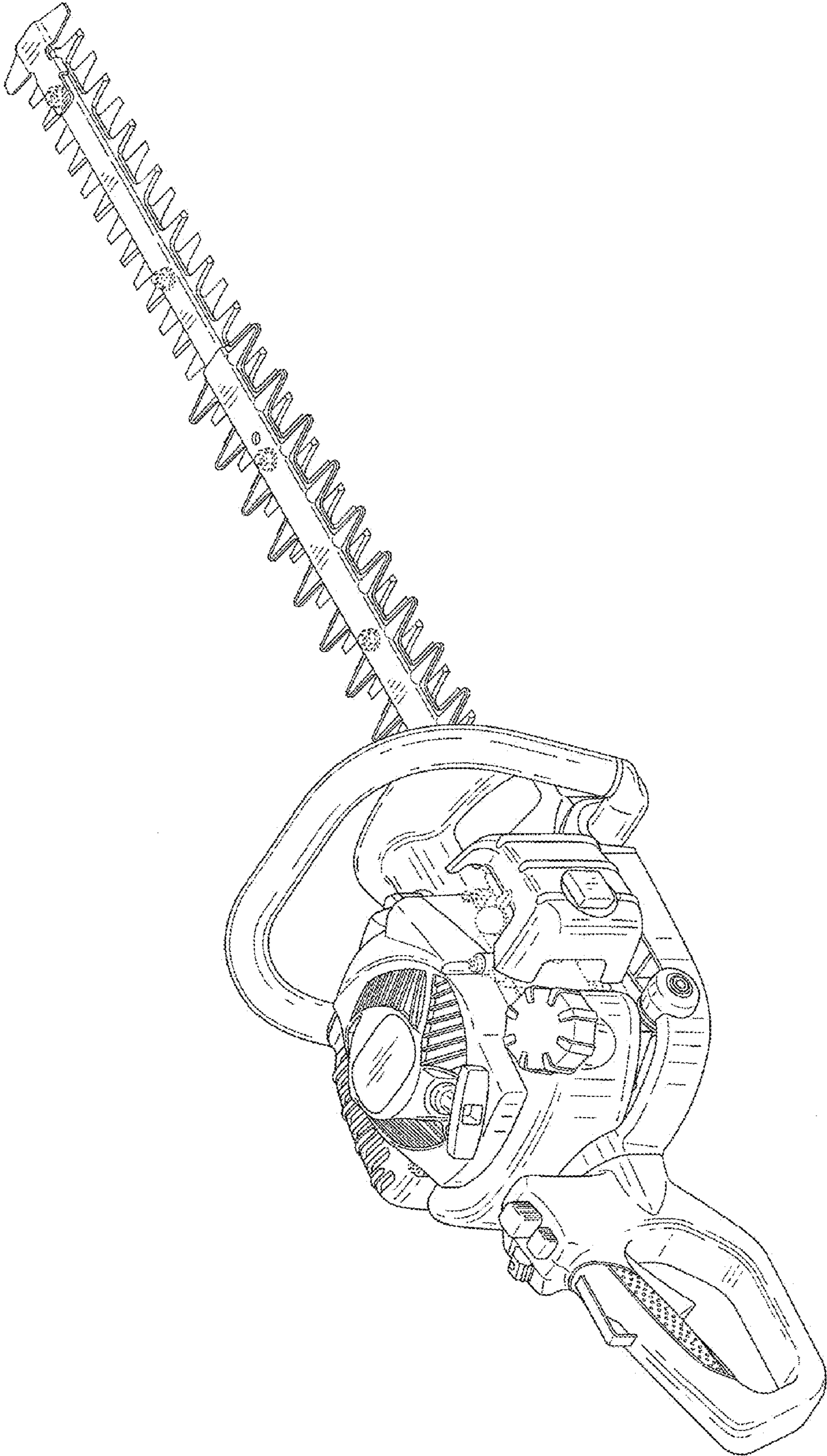


FIG. 2

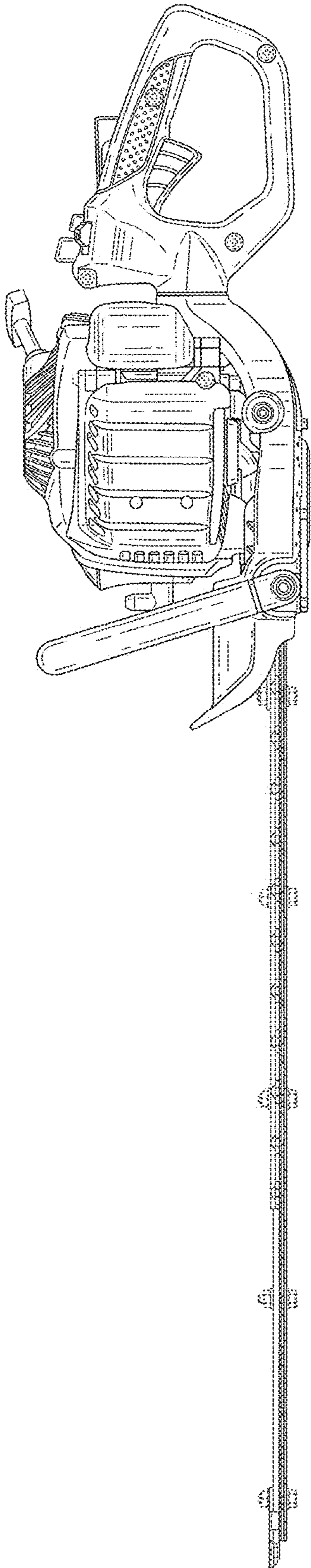


FIG. 3

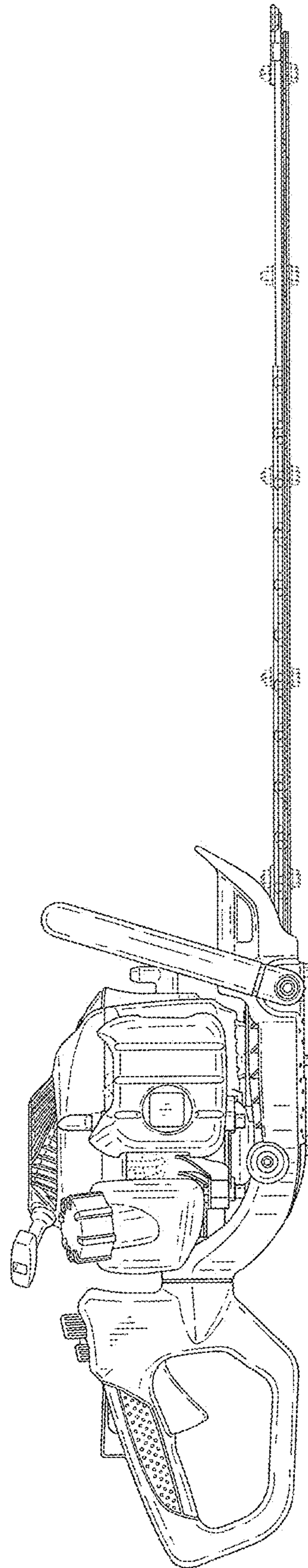


FIG. 4

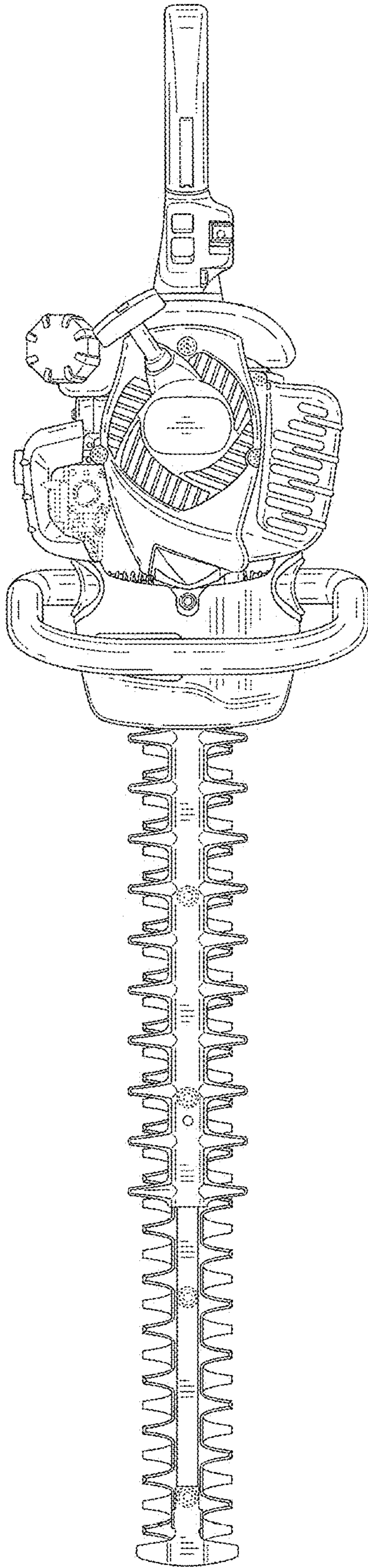


FIG. 5

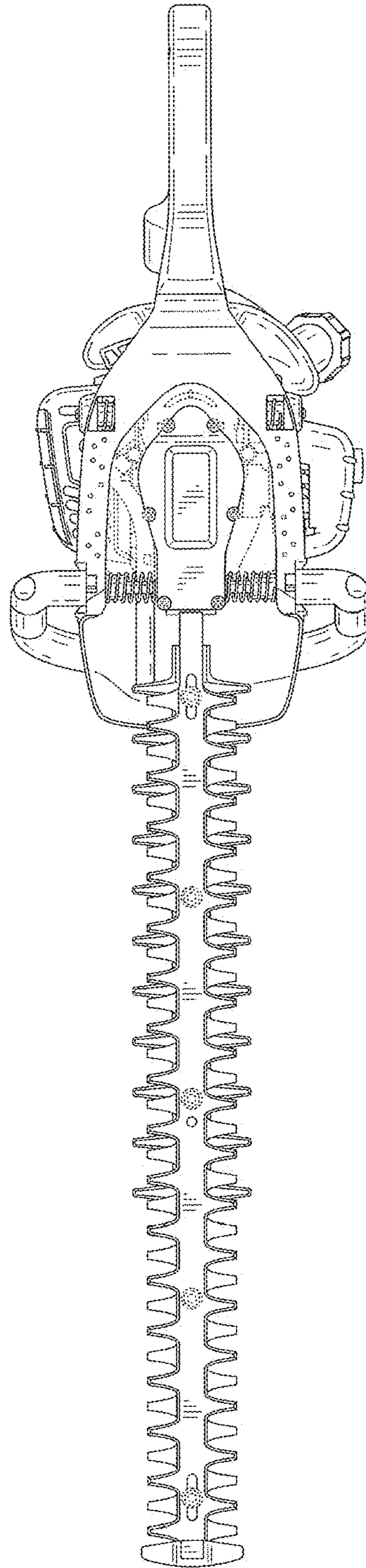


FIG. 6

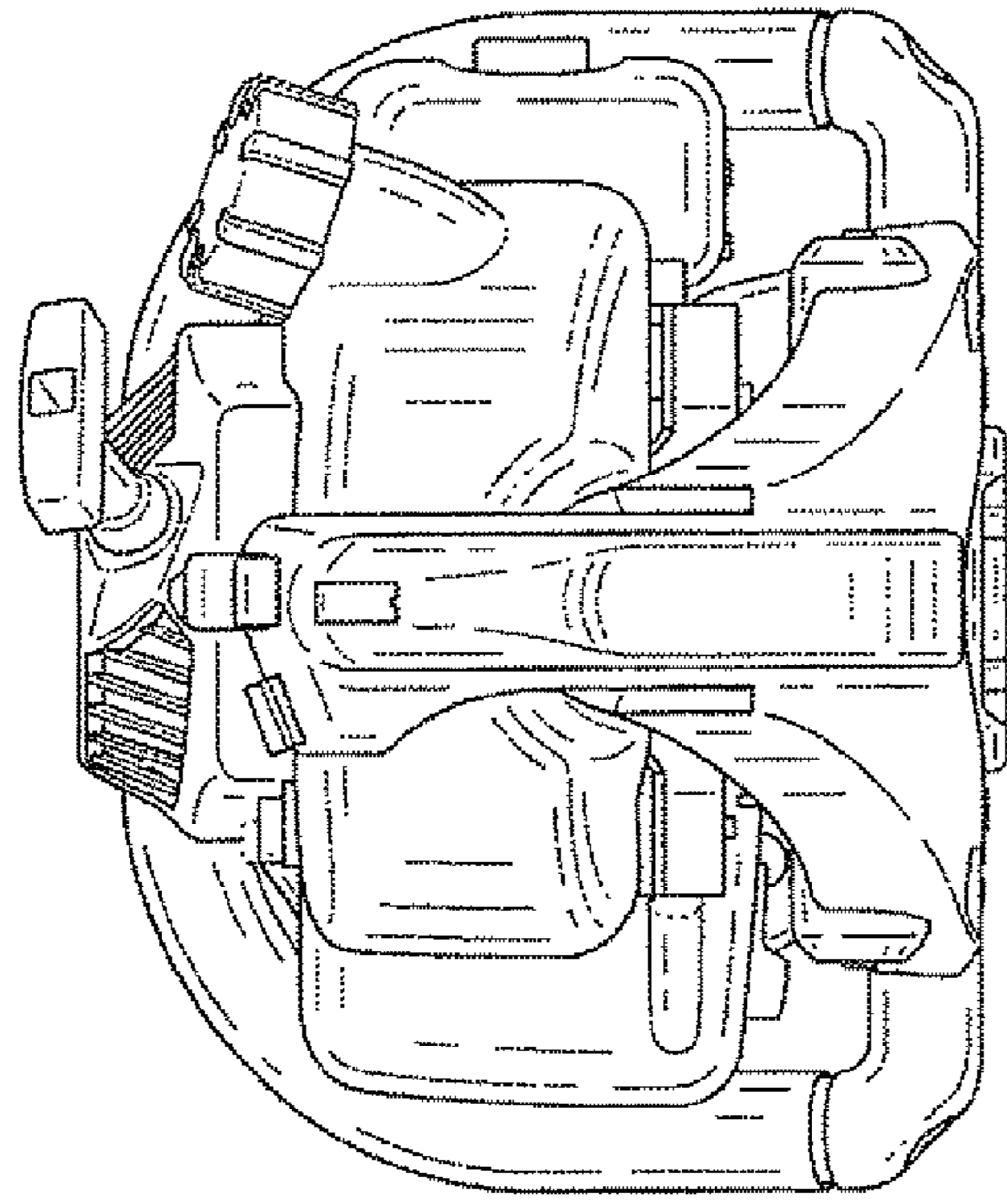


FIG. 7

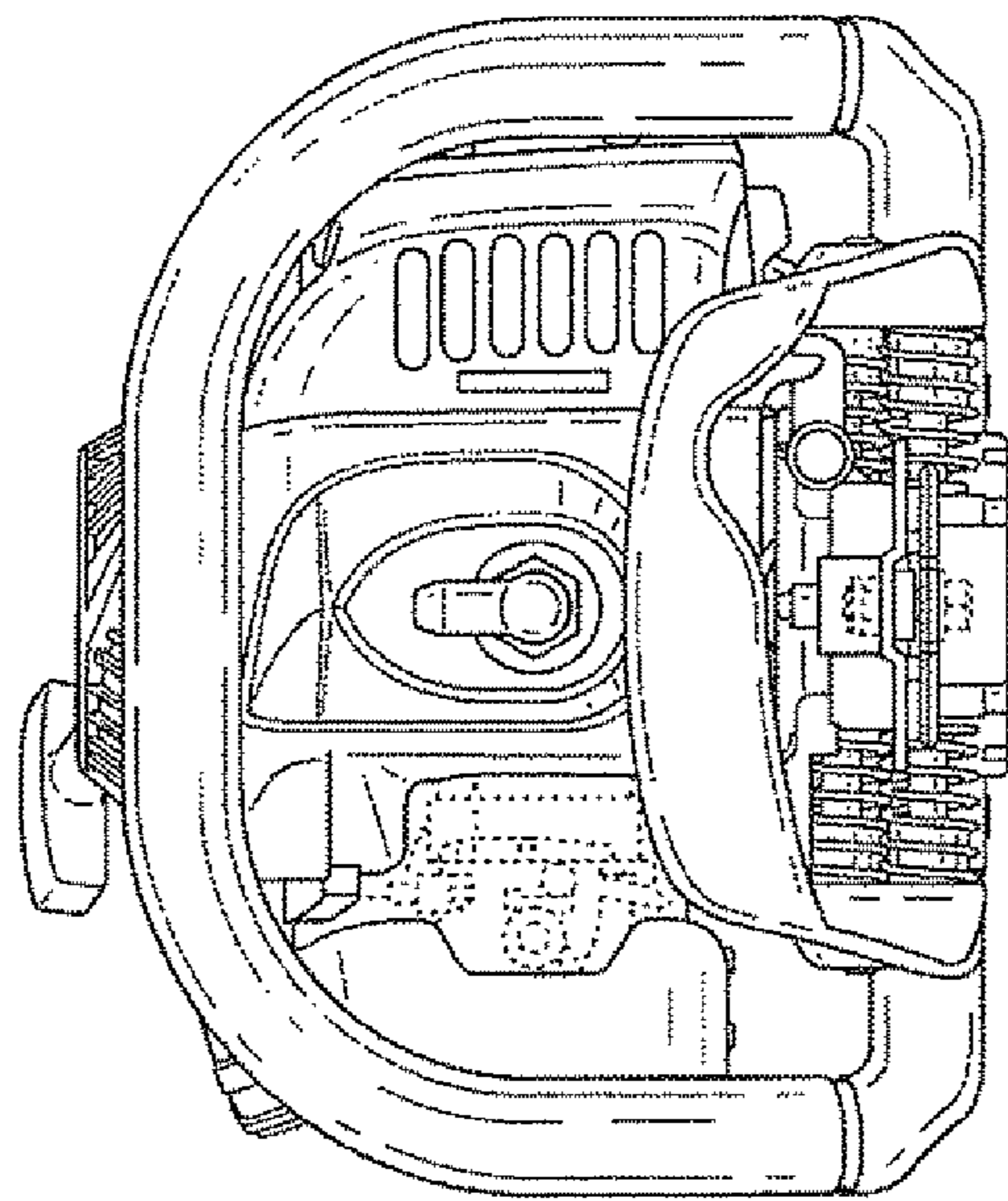


FIG. 8