



US00D657209S

(12) **United States Design Patent**  
**Getzinger et al.**

(10) **Patent No.:** **US D657,209 S**  
(45) **Date of Patent:** **\*\* Apr. 10, 2012**

(54) **CONSUMER PIZZA CUTTING BOARD**  
(75) Inventors: **Greg Getzinger**, Hudson, OH (US);  
**Andrew R. Spriegel**, Hudson, OH (US)  
(73) Assignee: **NuVoGrand, LLC**, Hudson, OH (US)  
(\*\*) Term: **14 Years**  
(21) Appl. No.: **29/403,318**

2,790,436 A *	4/1957	Pearcy	96/148
3,060,838 A *	10/1962	Priore	99/430
D230,459 S *	2/1974	Gulotta	D7/360
4,100,676 A *	7/1978	Ferguson	30/292
D251,176 S *	2/1979	Lewis	D7/359
5,903,981 A *	5/1999	Grow, II	30/114
D458,798 S *	6/2002	Kellermann	D7/360
D535,164 S *	1/2007	St. Germain et al.	D7/674
D552,925 S *	10/2007	Kloppsteck	D7/361
D562,060 S *	2/2008	Kloppsteck	D7/361
D589,741 S *	4/2009	Gerlach	D7/361

\* cited by examiner

(22) Filed: **Oct. 4, 2011**  
(51) **LOC (9) Cl.** ..... **07-04**  
(52) **U.S. Cl.** ..... **D7/698; D7/361**  
(58) **Field of Classification Search** ..... D7/352,  
D7/354, 359-362, 368, 388, 392.1, 396.1,  
D7/407-409, 412, 505, 549, 550.1, 552.1-552.2,  
D7/553.1, 553.5, 553.8, 554.3-554.4, 555,  
D7/586, 637, 673-674, 698-699; 30/114,  
30/292; 96/148; 99/324, 357, 425, 430,  
99/449-450; 269/13, 15-16, 289 R, 302.1,  
269/575

*Primary Examiner* — Ricky Pham  
(74) *Attorney, Agent, or Firm* — Spriegel & Associates,  
LLC; Andrew R. Spriegel

(57) **CLAIM**  
The ornamental design for a consumer pizza cutting board, as shown and described.

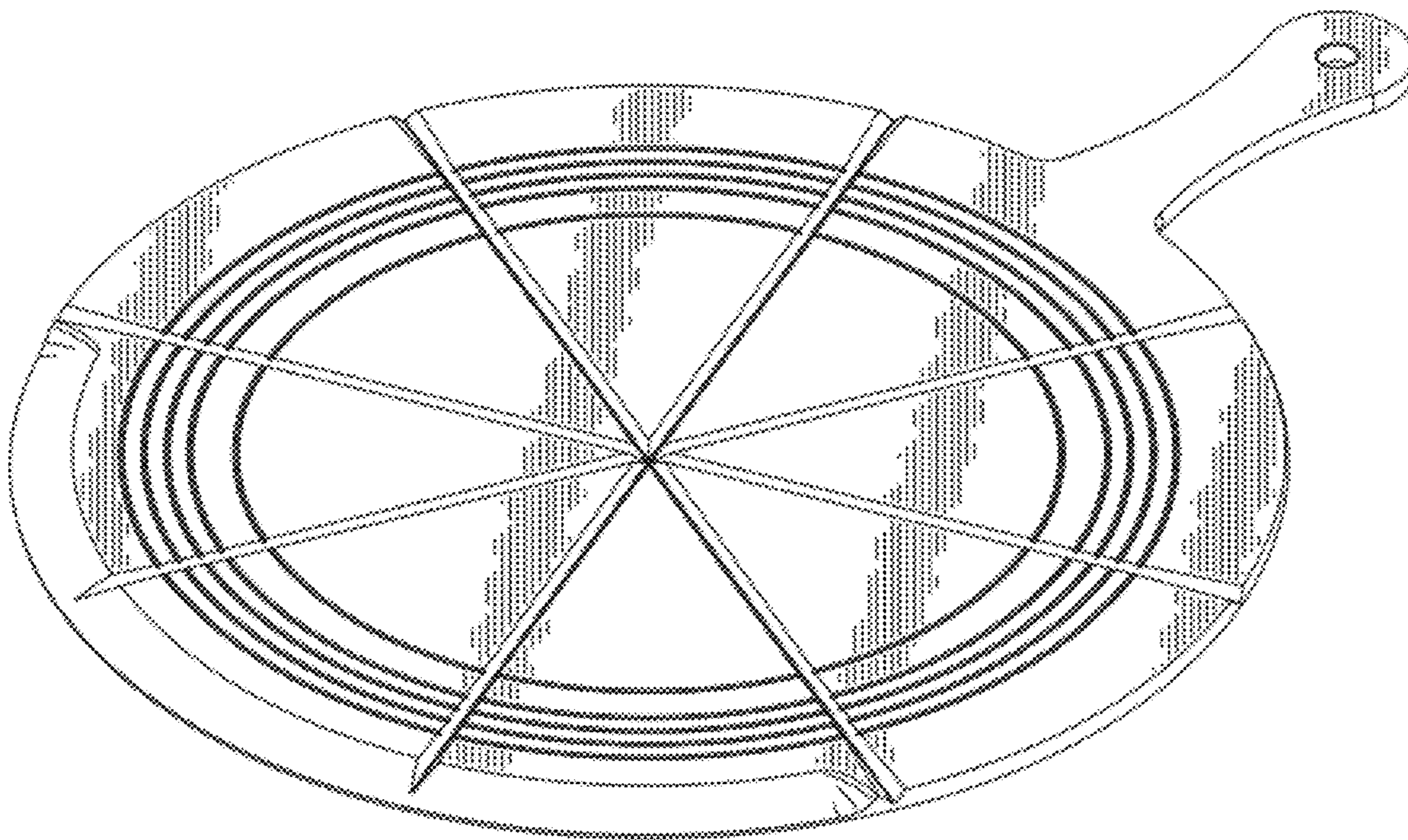
See application file for complete search history.

**DESCRIPTION**

FIG. 1 is a top perspective view of the consumer pizza cutting board showing our new design;  
FIG. 2 is a bottom perspective view thereof;  
FIG. 3 is a top view thereof;  
FIG. 4 is a bottom view thereof;  
FIG. 5 is a left side view thereof, the right side view being a mirror image of such left side view;  
FIG. 6 is a front view thereof; and,  
FIG. 7 is a rear view thereof.

(56) **References Cited**  
**U.S. PATENT DOCUMENTS**  
1,447,813 A \* 3/1923 Patrick ..... 99/425  
D179,087 S \* 10/1956 Kelso ..... D7/352

**1 Claim, 5 Drawing Sheets**



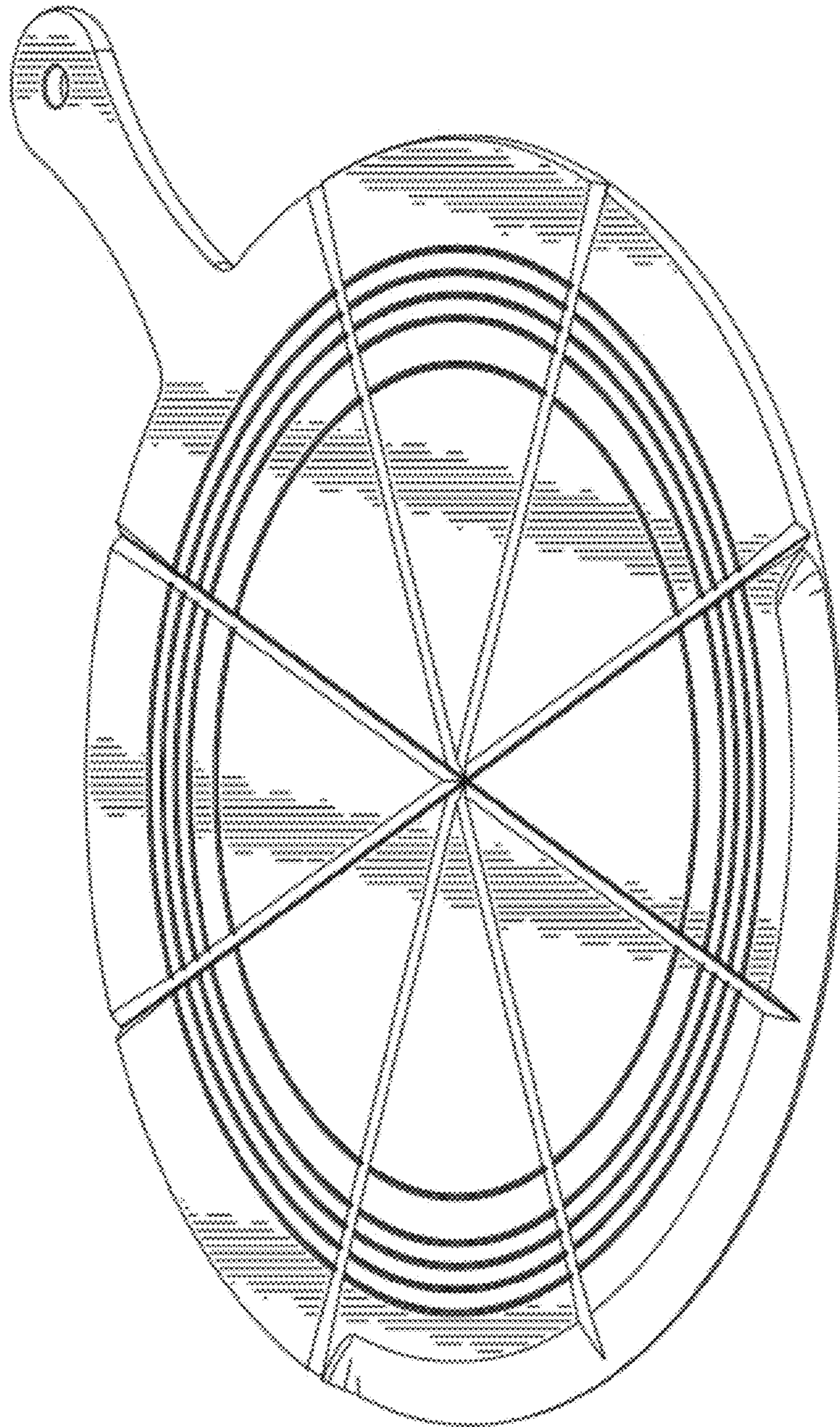


FIG-1

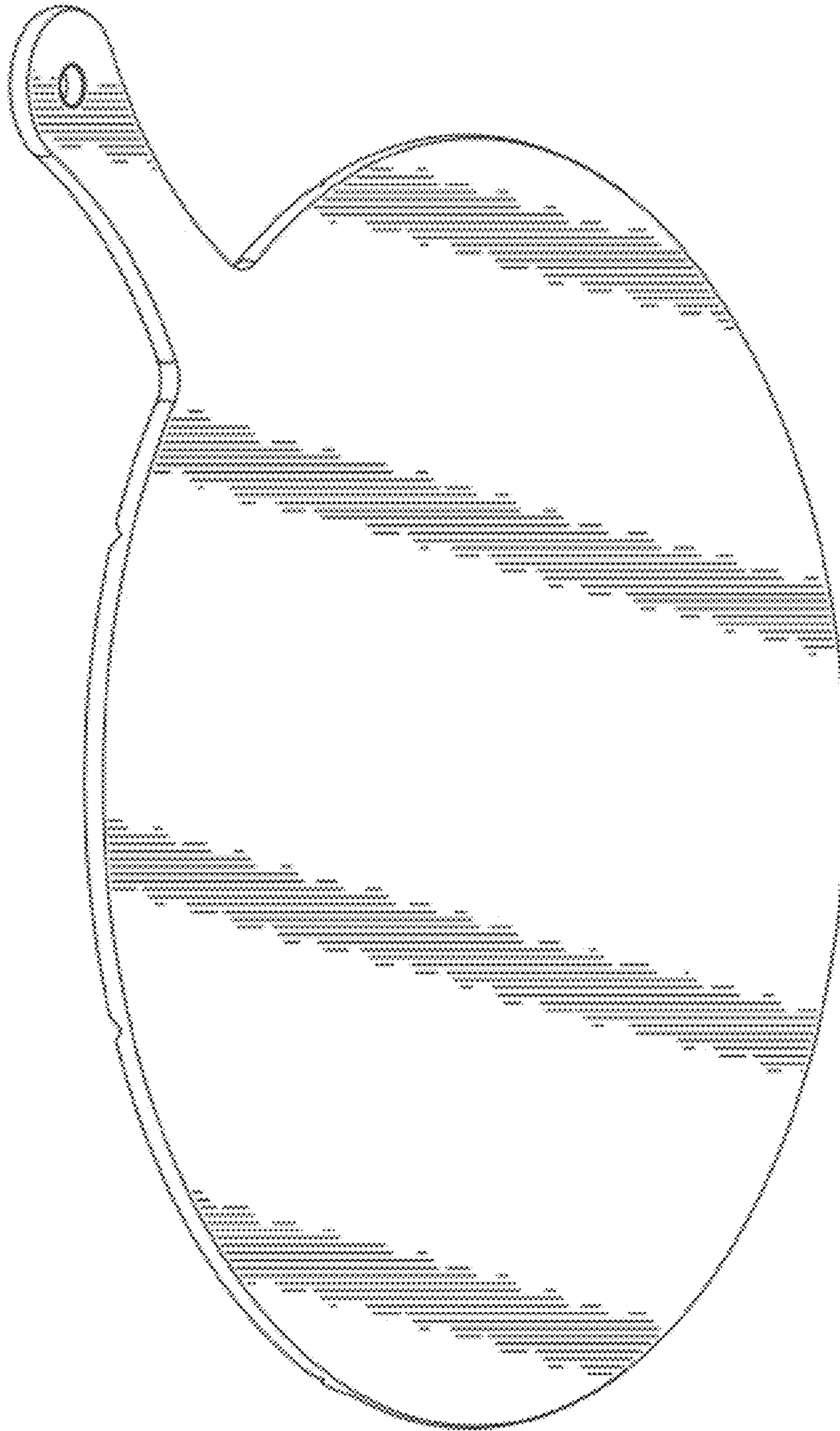


FIG-2

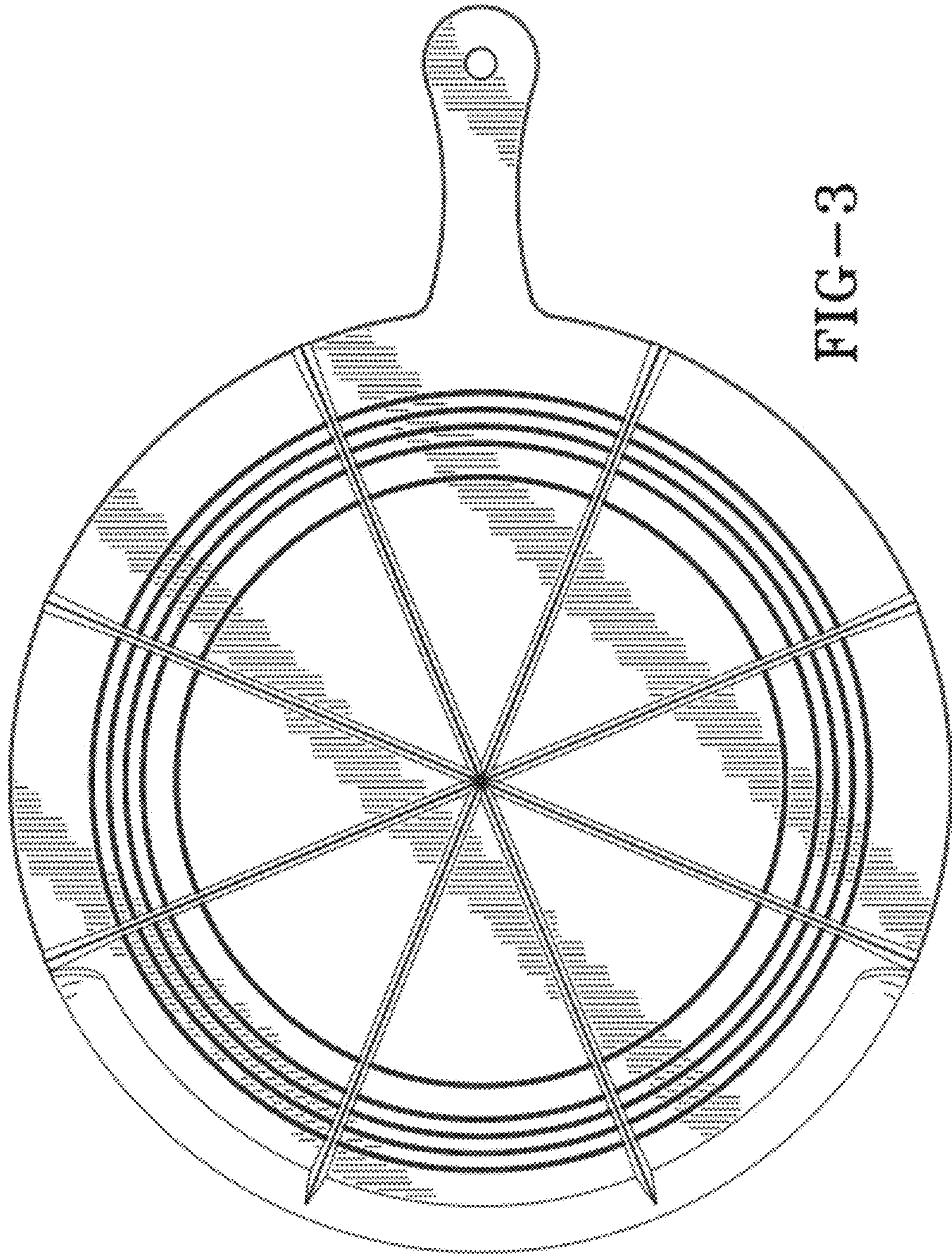


FIG-3

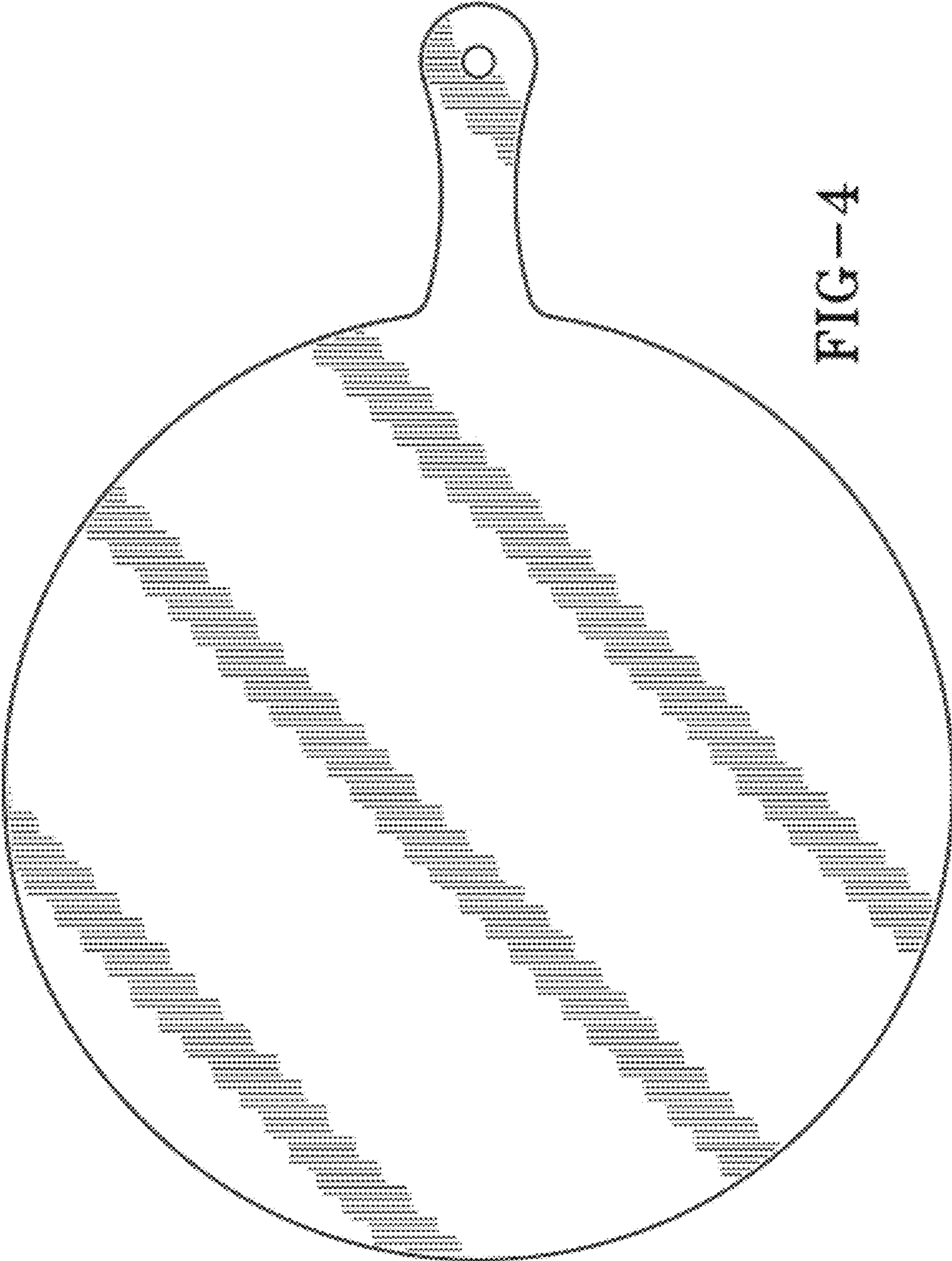


FIG-4

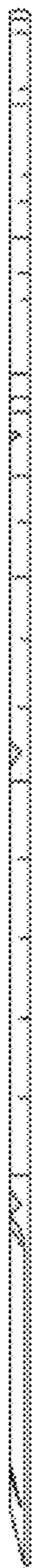


FIG-5



FIG-6



FIG-7