



US00D657207S

(12) **United States Design Patent**
Habig et al.

(10) **Patent No.:** **US D657,207 S**
(45) **Date of Patent:** **** Apr. 10, 2012**

(54) **TOASTER FORK**

(75) Inventors: **Michael M. Habig**, Minneapolis, MN (US); **Sara L. Pedersen**, Minneapolis, MN (US); **Mari L. Anderson**, Minneapolis, MN (US)

(73) Assignee: **Target Brands, Inc.**, Minneapolis, MN (US)

(**) Term: **14 Years**

(21) Appl. No.: **29/369,032**

(22) Filed: **Sep. 1, 2010**

(51) **LOC (9) Cl.** **07-06**

(52) **U.S. Cl.** **D7/683**

(58) **Field of Classification Search** D7/653, D7/654, 659, 660, 661, 669, 671, 683, 688, D7/689, 690, 381, 300.2, 393, 395; 99/419, 99/421 R, 421 A, 427, 421 H, 441; 294/120, 294/125, 126, 127, 26, 49, 50, 55.5, 61; 16/110.1; 30/137, 322, 323, 142, 123

See application file for complete search history.

(56) **References Cited**

U.S. PATENT DOCUMENTS

2,649,042	A *	8/1953	Wickman	99/441
2,838,990	A *	6/1958	Stiburski	99/419
D185,377	S *	6/1959	May	D7/683
D189,441	S *	12/1960	Bonnell	D7/683
3,078,787	A *	2/1963	Arseneault	99/419
3,339,478	A *	9/1967	Crow	99/355
3,410,457	A *	11/1968	Brown	222/191
3,628,819	A *	12/1971	Fowler	294/50
4,332,409	A *	6/1982	Stachowicz	294/2
D268,561	S *	4/1983	Risser	D7/683
D329,966	S *	10/1992	Neie	D7/683
D332,033	S *	12/1992	Balibrea	D7/683
D344,216	S *	2/1994	Shepherd et al.	D7/683
D359,203	S *	6/1995	Wedderburn	D7/683
D361,698	S *	8/1995	Stark	D7/683

D361,699	S *	8/1995	McHugh	D7/683
D377,888	S *	2/1997	Griffin	D7/683
D395,988	S *	7/1998	Badour	D7/683
D411,083	S *	6/1999	Clark et al.	D7/683
D445,653	S *	7/2001	Smith	D7/683
D479,444	S *	9/2003	Conigliaro	D7/683
D482,937	S *	12/2003	Renault	D7/683
D482,938	S *	12/2003	Renault	D7/683
D484,756	S *	1/2004	Conigliaro	D7/683
D496,835	S *	10/2004	Scott	
D501,121	S *	1/2005	Dow et al.	D7/683
D513,573	S *	1/2006	Settele	D7/683
D519,331	S *	4/2006	Camp	D7/683
D524,124	S *	7/2006	Tashjian	D7/683
D540,128	S *	4/2007	Pontzious	D7/683
D555,436	S *	11/2007	Slothower	D7/683
D588,419	S *	3/2009	Lu	D7/683
D592,467	S *	5/2009	Heintzinger	
D622,557	S *	8/2010	Kerulis et al.	D7/683
D636,234	S *	4/2011	Lion et al.	D7/683

* cited by examiner

Primary Examiner — Elizabeth J Oswecki

(74) *Attorney, Agent, or Firm* — Leanne Taveggia Farrell; Westman, Champlin & Kelly, P.A.

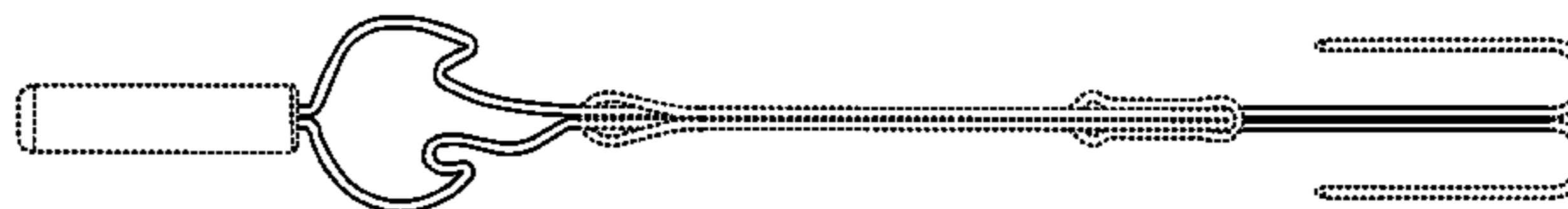
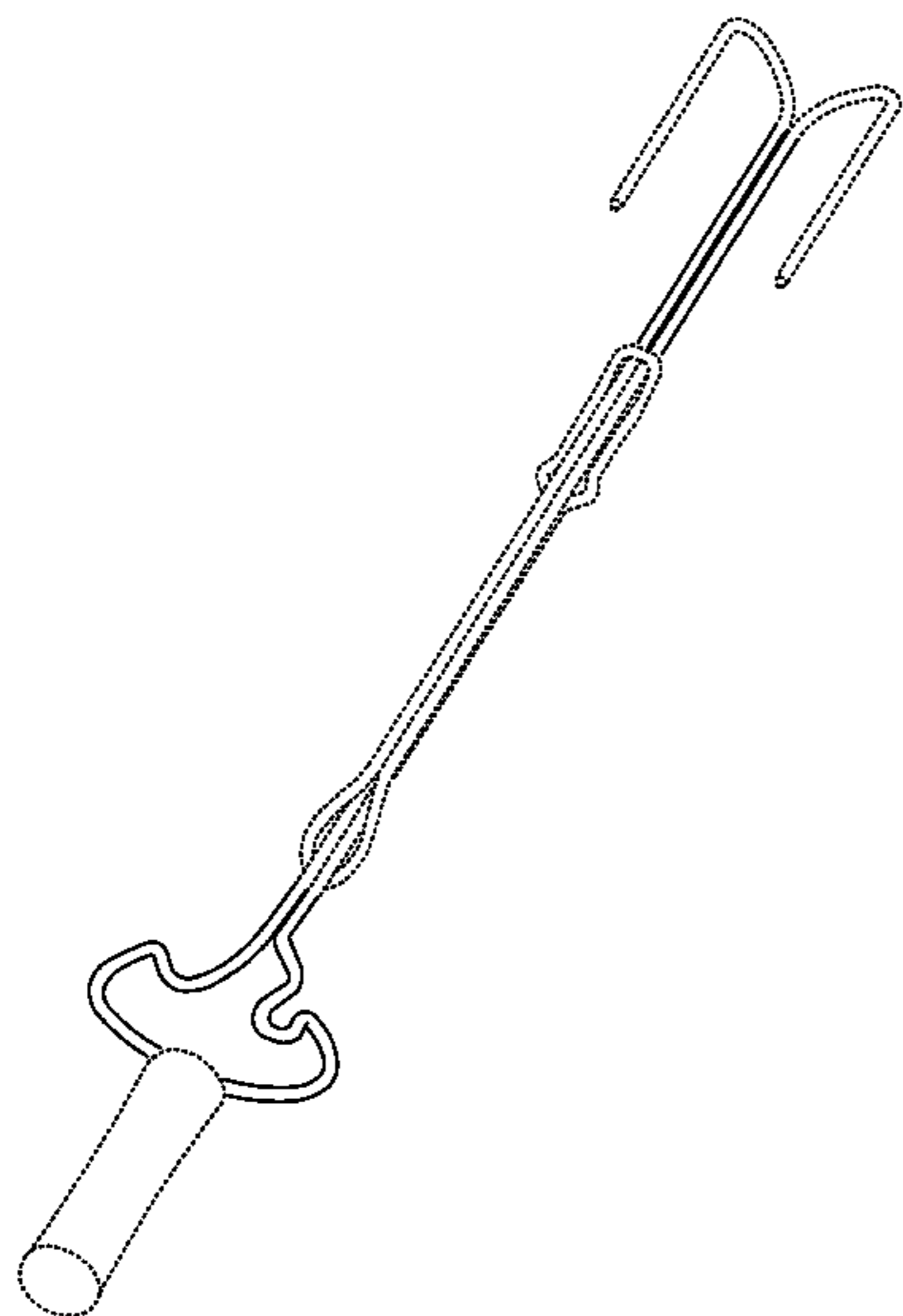
(57) **CLAIM**

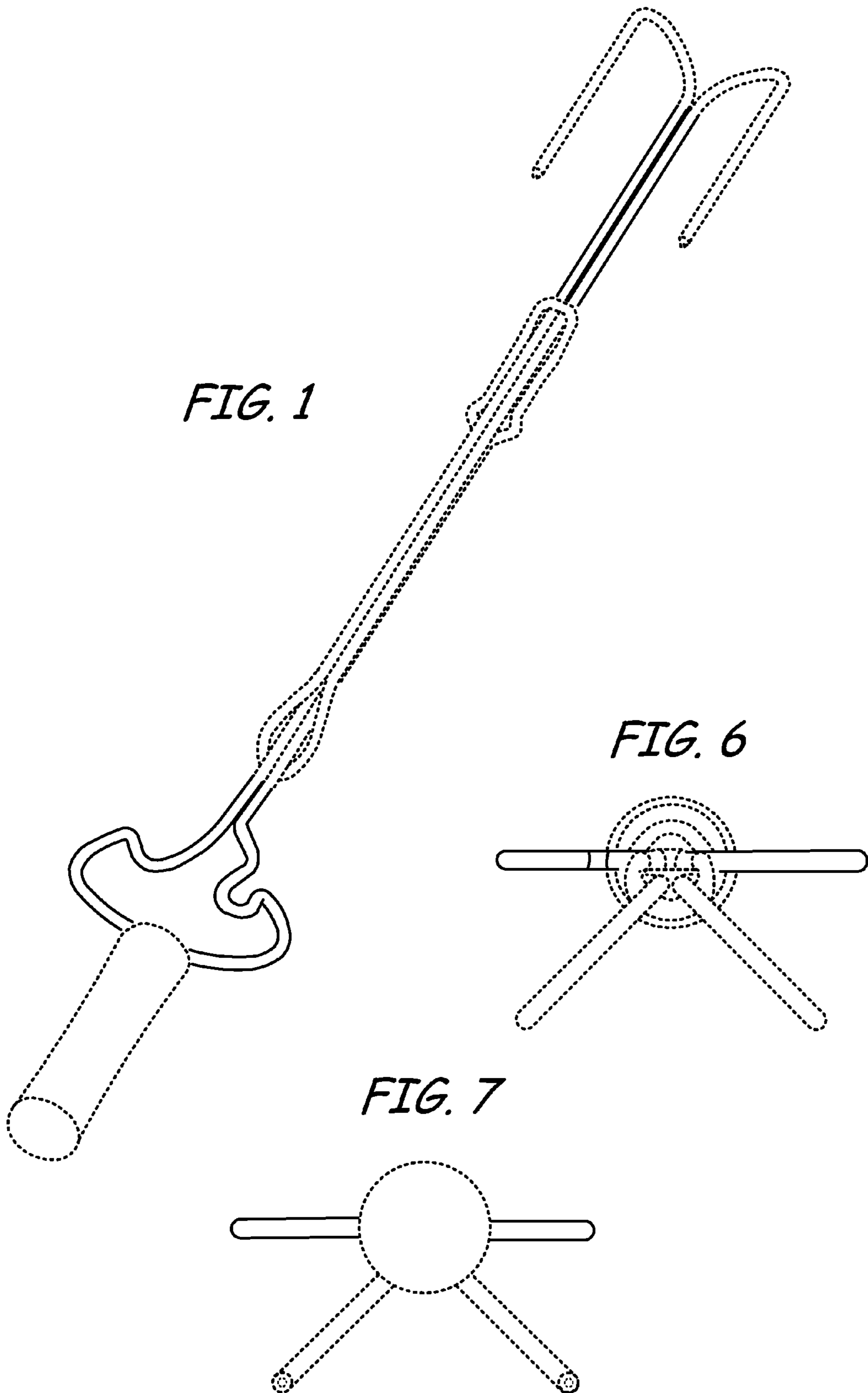
The ornamental design for a toaster fork, as shown and described.

DESCRIPTION

FIG. 1 is a perspective view of a toaster fork showing our new design;
FIG. 2 is a front view thereof;
FIG. 3 is a right side view thereof;
FIG. 4 is a back view thereof;
FIG. 5 is a left side view thereof;
FIG. 6 is an enlarged top view thereof; and,
FIG. 7 is an enlarged bottom view thereof.
The broken lines of FIGS. 1-7 form no part of the claimed design.

1 Claim, 2 Drawing Sheets





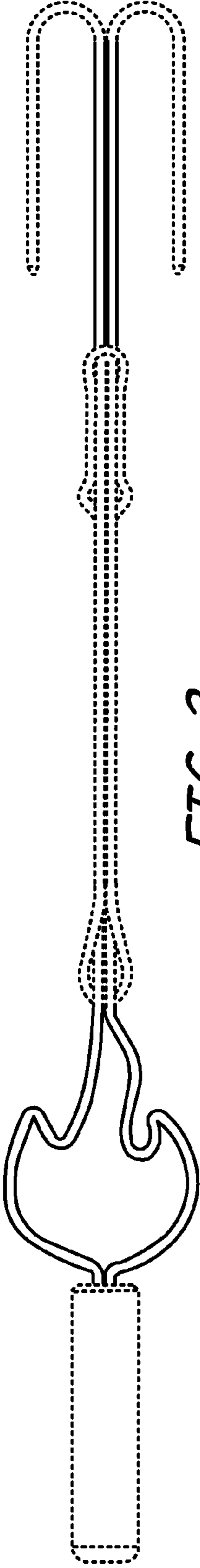


FIG. 2

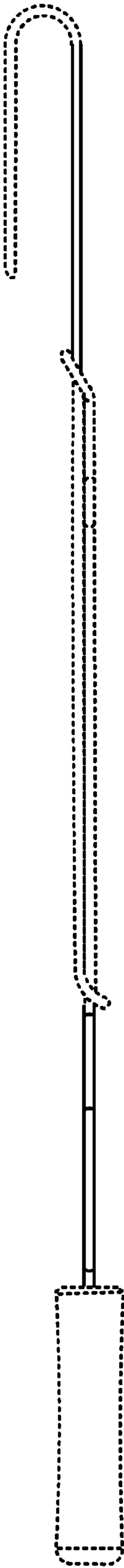


FIG. 3



FIG. 4

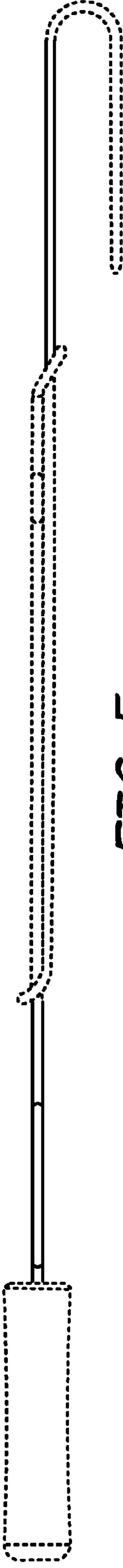


FIG. 5