



US00D657206S

(12) **United States Design Patent**
Yoham

(10) **Patent No.:** **US D657,206 S**

(45) **Date of Patent:** **** Apr. 10, 2012**

(54) **NAPKIN RING**

(76) **Inventor:** **Mark Addison Yoham**, New York, NY
(US)

(**) **Term:** **14 Years**

(21) **Appl. No.:** **29/393,027**

(22) **Filed:** **May 27, 2011**

(51) **LOC (9) Cl.** **07-06**

(52) **U.S. Cl.** **D7/633**

(58) **Field of Classification Search** D7/631-634,
D7/619.1, 601; 24/7, 9; D11/3, 4, 26
See application file for complete search history.

(56) **References Cited**

U.S. PATENT DOCUMENTS

4,164,058 A * 8/1979 Barna 24/1
D273,261 S * 4/1984 Sun D7/633

D285,275 S * 8/1986 Pollitz D7/633
D356,235 S * 3/1995 Yee D7/633
6,694,779 B1 * 2/2004 Dreger 63/33

* cited by examiner

Primary Examiner — Terry Wallace

(74) *Attorney, Agent, or Firm* — Steptoe & Johnson LLP

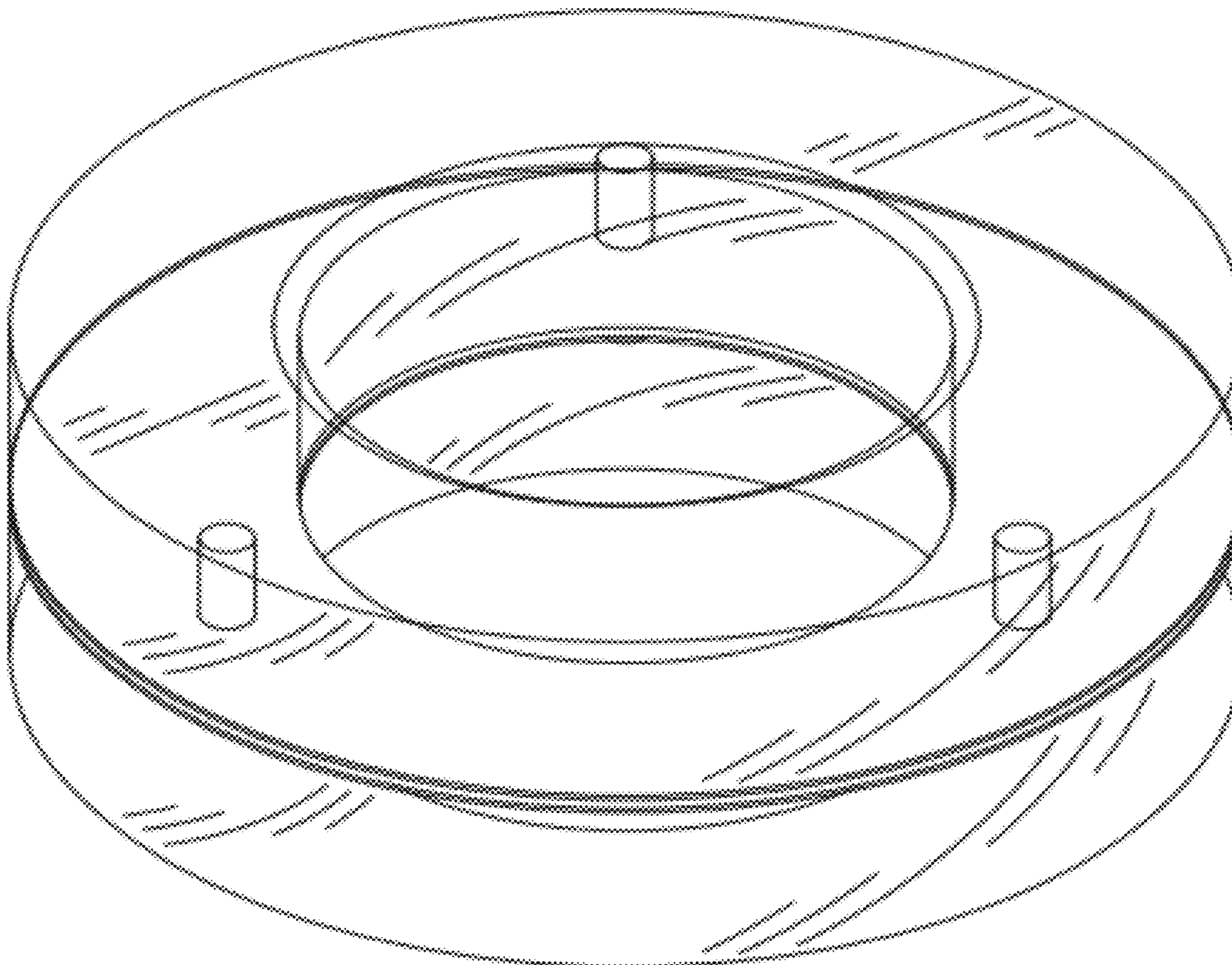
(57) **CLAIM**

The ornamental design for a napkin ring, as shown and described.

DESCRIPTION

FIG. 1 is a top perspective view of a napkin ring;
FIG. 2 is a front view of the napkin ring of FIG. 1;
FIG. 3 is a rear view of the napkin ring of FIG. 1;
FIG. 4 is a left side view of the napkin ring of FIG. 1;
FIG. 5 is a right side view of the napkin ring of FIG. 1;
FIG. 6 is a top view of the napkin ring of FIG. 1; and,
FIG. 7 is a bottom view of the napkin ring of FIG. 1.

1 Claim, 4 Drawing Sheets



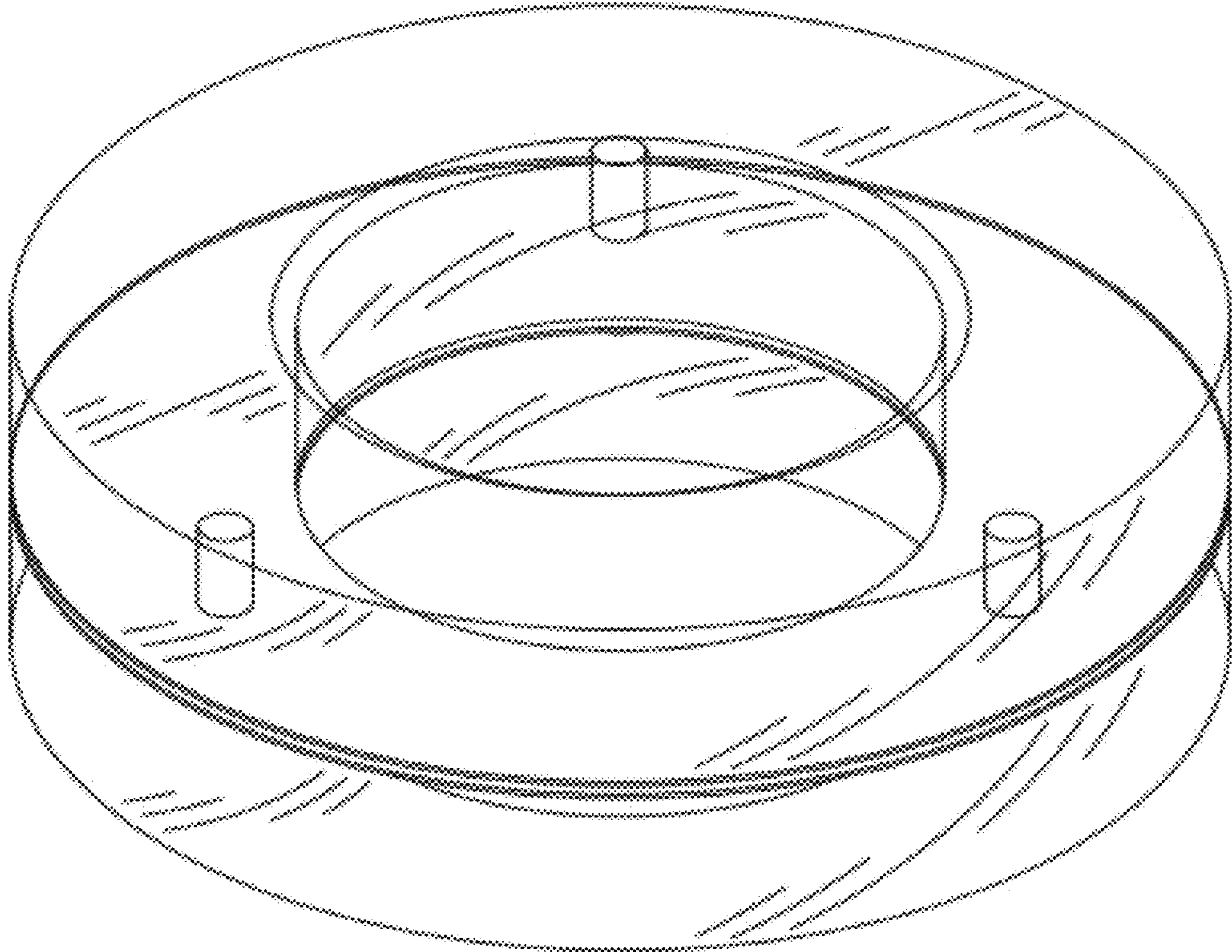


FIG. 1

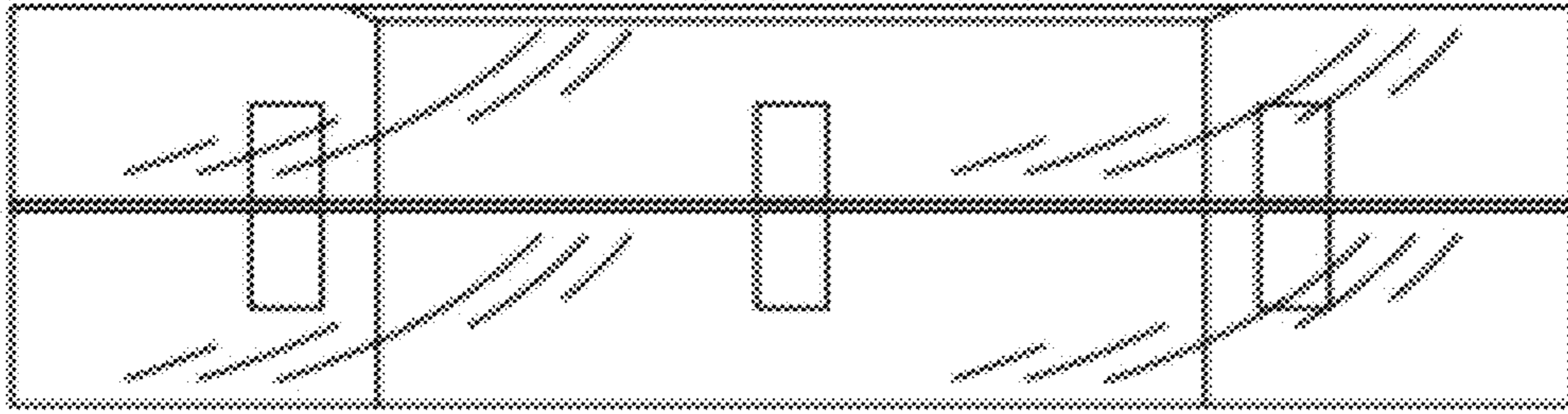


FIG. 2

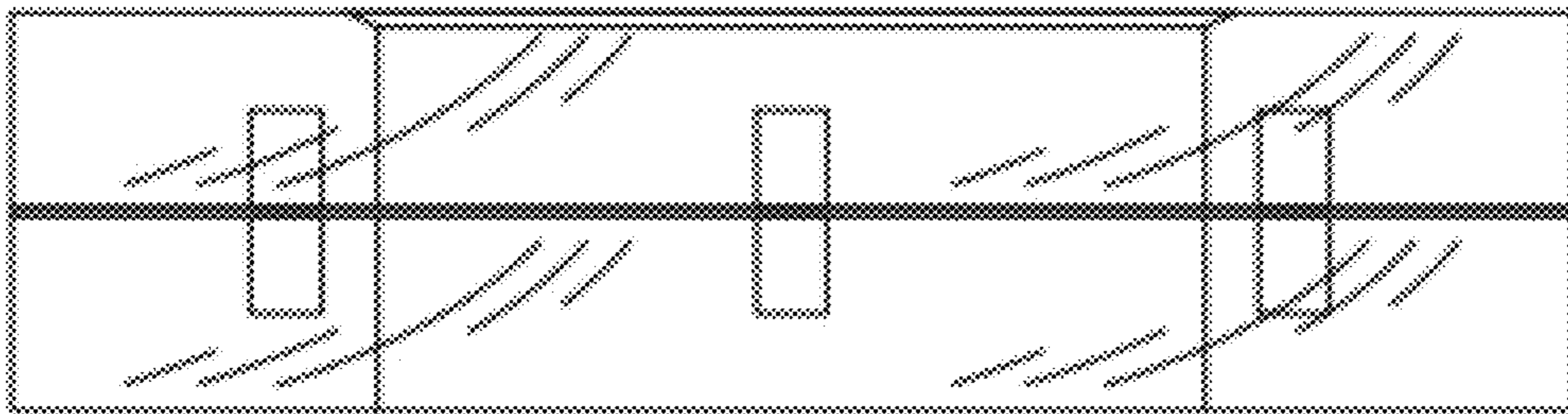


FIG. 3

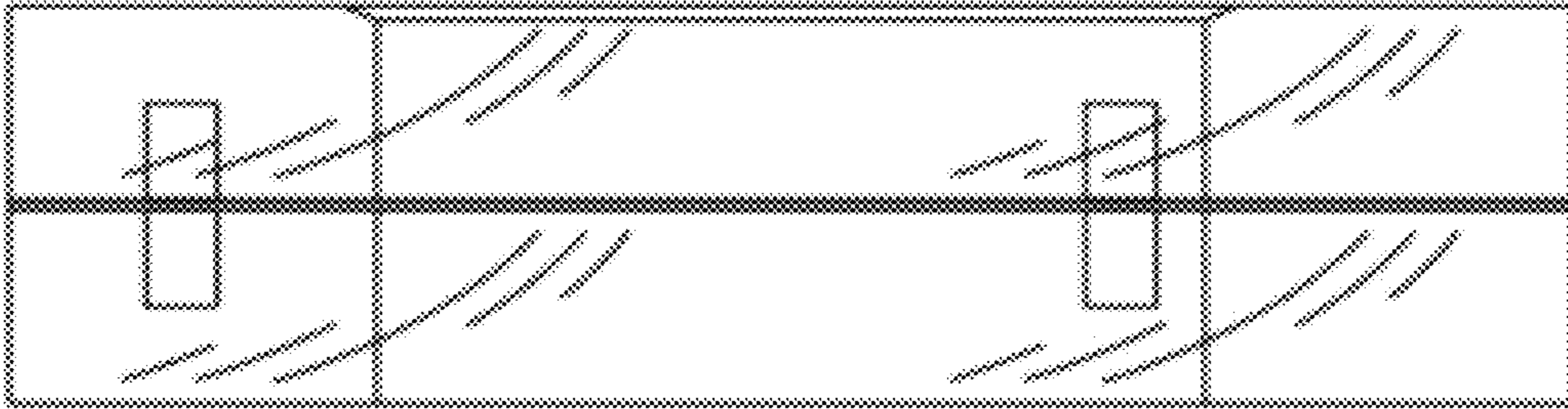


FIG. 4

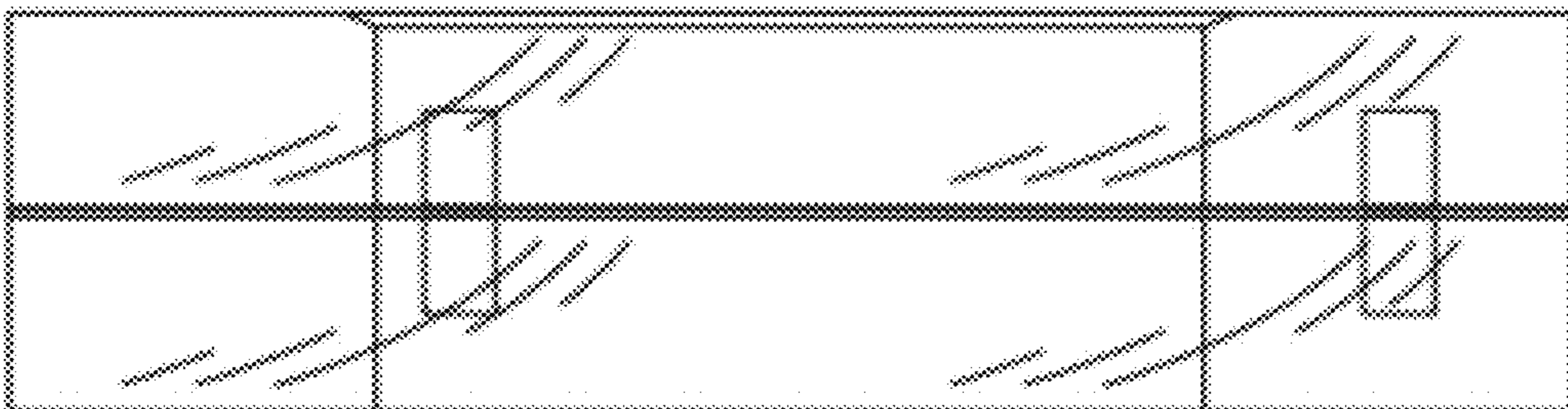


FIG. 5

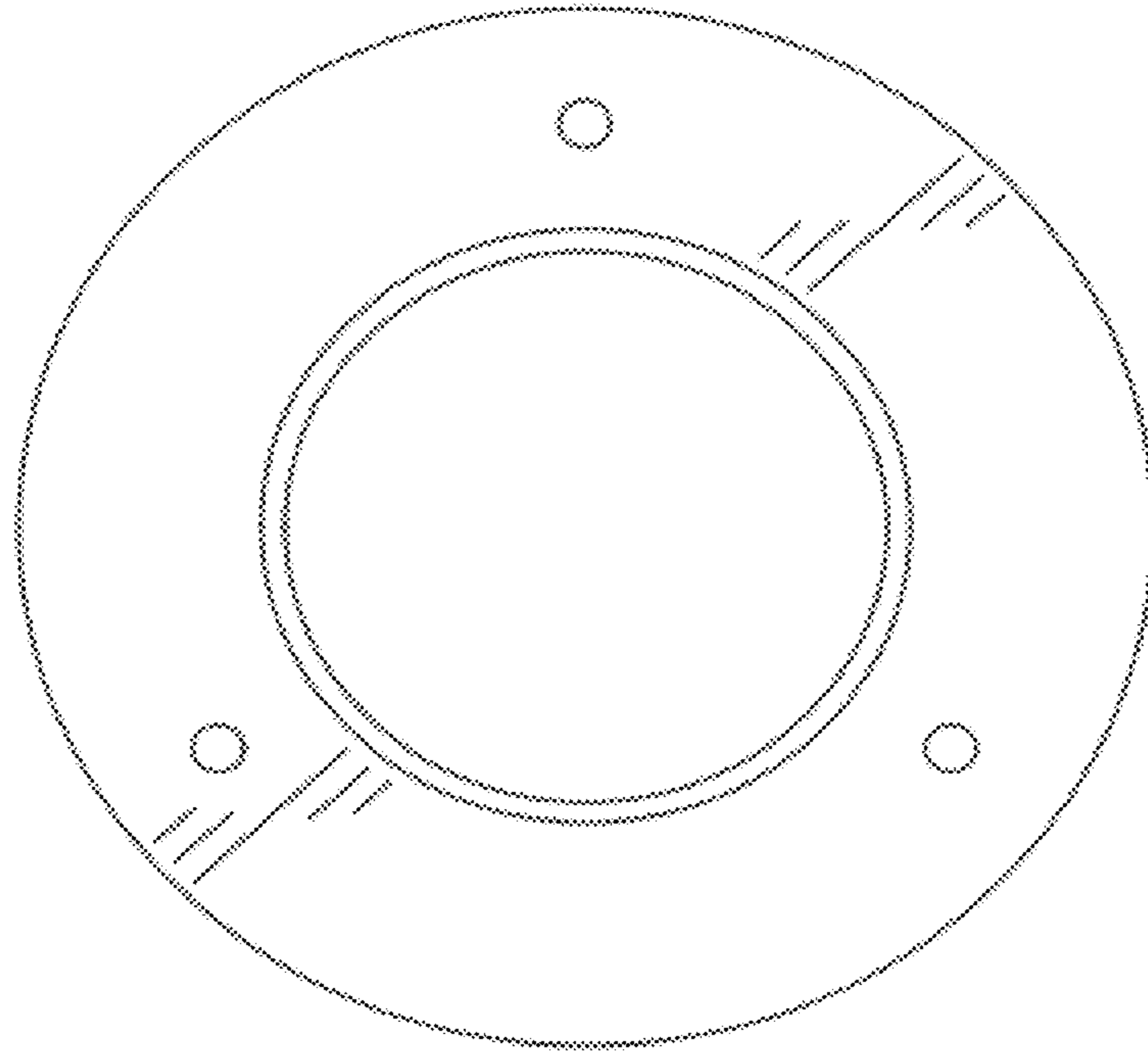


FIG. 6

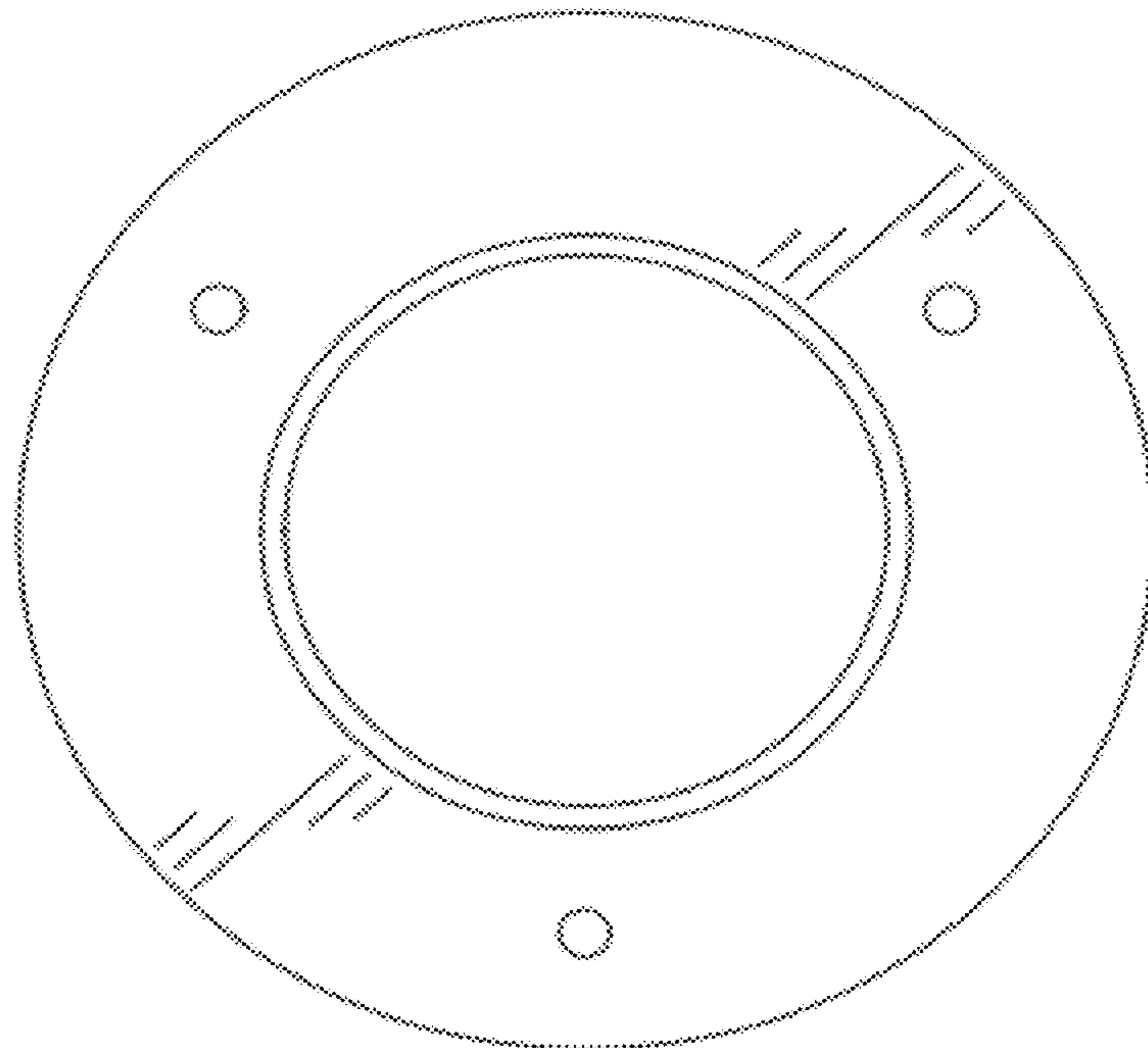


FIG. 7