



US00D657205S

(12) **United States Design Patent**  
**Ablo et al.**

(10) **Patent No.:** **US D657,205 S**  
(45) **Date of Patent:** **\*\* Apr. 10, 2012**

(54) **NAPKIN HOLDER**

(75) Inventors: **Famia E. Ablo**, Accra (GH); **Brian F. Rutledge**, Kissimmee, FL (US)

(73) Assignee: **Dart Industries Inc.**, Orlando, FL (US)

(\*\*) Term: **14 Years**

(21) Appl. No.: **29/373,812**

(22) Filed: **May 24, 2011**

(51) **LOC (9) Cl.** ..... **07-06**

(52) **U.S. Cl.** ..... **D7/631**

(58) **Field of Classification Search** ..... D7/631-634,  
D7/601, 629; 221/33, 36-38, 47-48, 51-54;  
206/457

See application file for complete search history.

(56) **References Cited**

**U.S. PATENT DOCUMENTS**

D195,881 S *	8/1963	Holsworth	.....	D7/631
3,826,407 A	7/1974	Keating		
3,878,966 A	4/1975	Haboush		
D276,206 S *	11/1984	Williams	.....	D7/633
5,067,628 A *	11/1991	Evenson	.....	221/52
5,161,712 A *	11/1992	Olson	.....	221/45

5,165,570 A *	11/1992	Windorski et al.	.....	221/46
D460,666 S	7/2002	Michaeli		
D486,998 S	2/2004	Liu		
D498,647 S	11/2004	Angeletti et al.		
D501,629 S	2/2005	Heiberg		
D507,156 S	7/2005	Heiberg		
2008/0264965 A1	10/2008	Reinsel et al.		

\* cited by examiner

*Primary Examiner* — Terry Wallace

(74) *Attorney, Agent, or Firm* — John A. Doninger

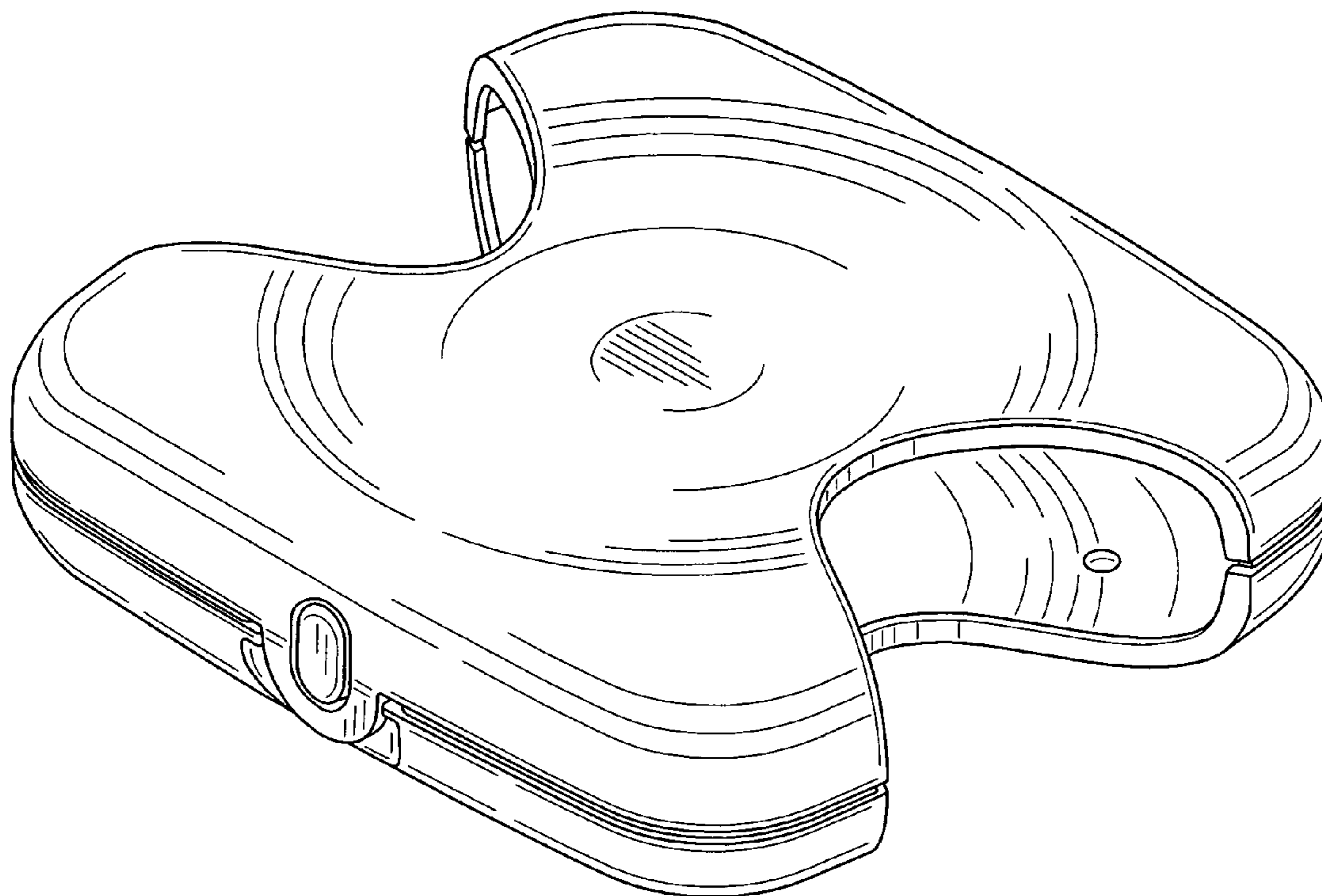
(57) **CLAIM**

The ornamental design for a napkin holder, as shown and described.

**DESCRIPTION**

FIG. 1 is a top, side and front perspective view of a napkin holder showing my new design;  
FIG. 2 is a bottom, side and rear perspective view thereof;  
FIG. 3 is a top plan view thereof;  
FIG. 4 is a bottom plan view thereof;  
FIG. 5 is a front elevation view thereof;  
FIG. 6 is a rear elevation view thereof; and,  
FIG. 7 is a right side elevation view, the left side being a mirror image thereof.

**1 Claim, 3 Drawing Sheets**



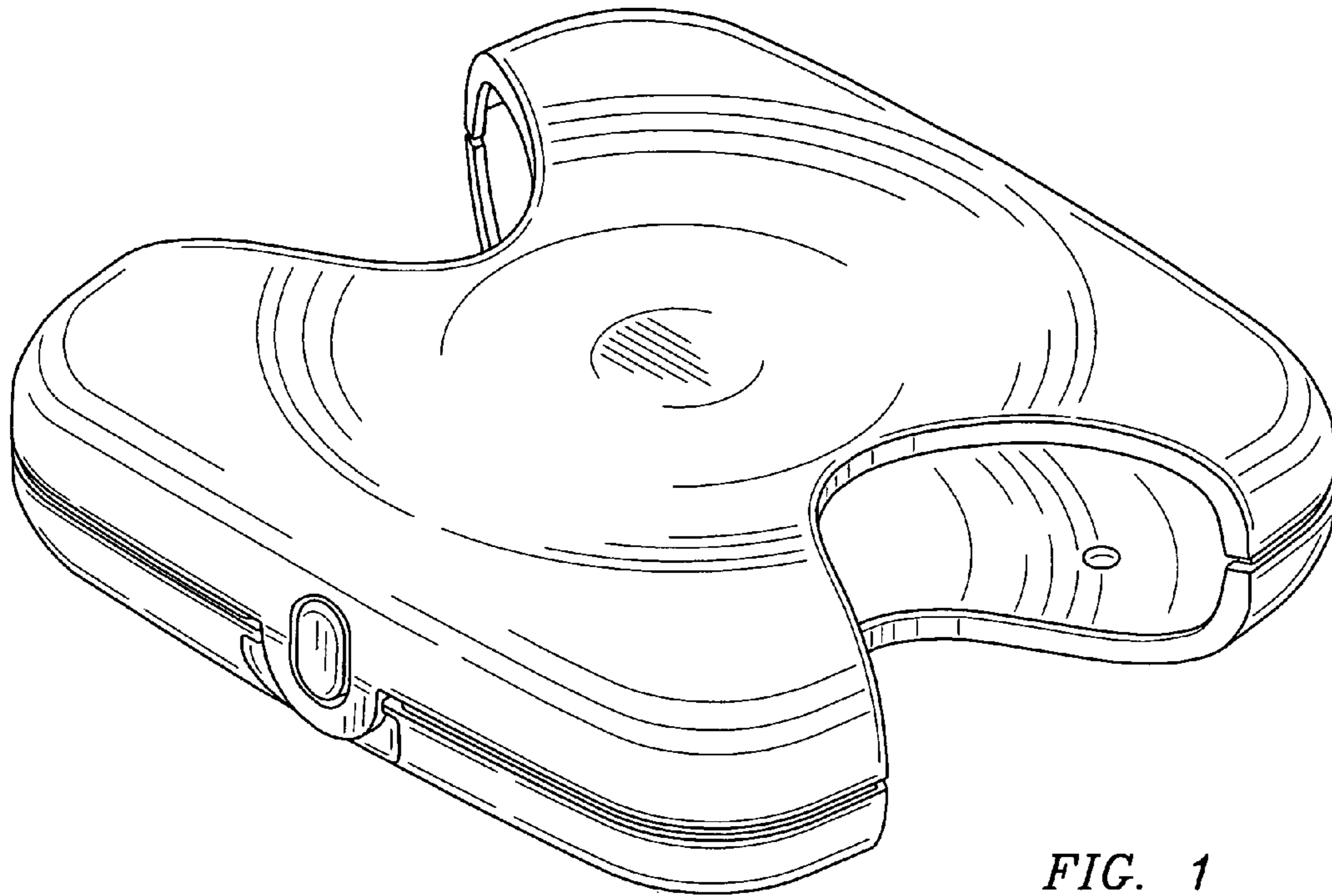


FIG. 1

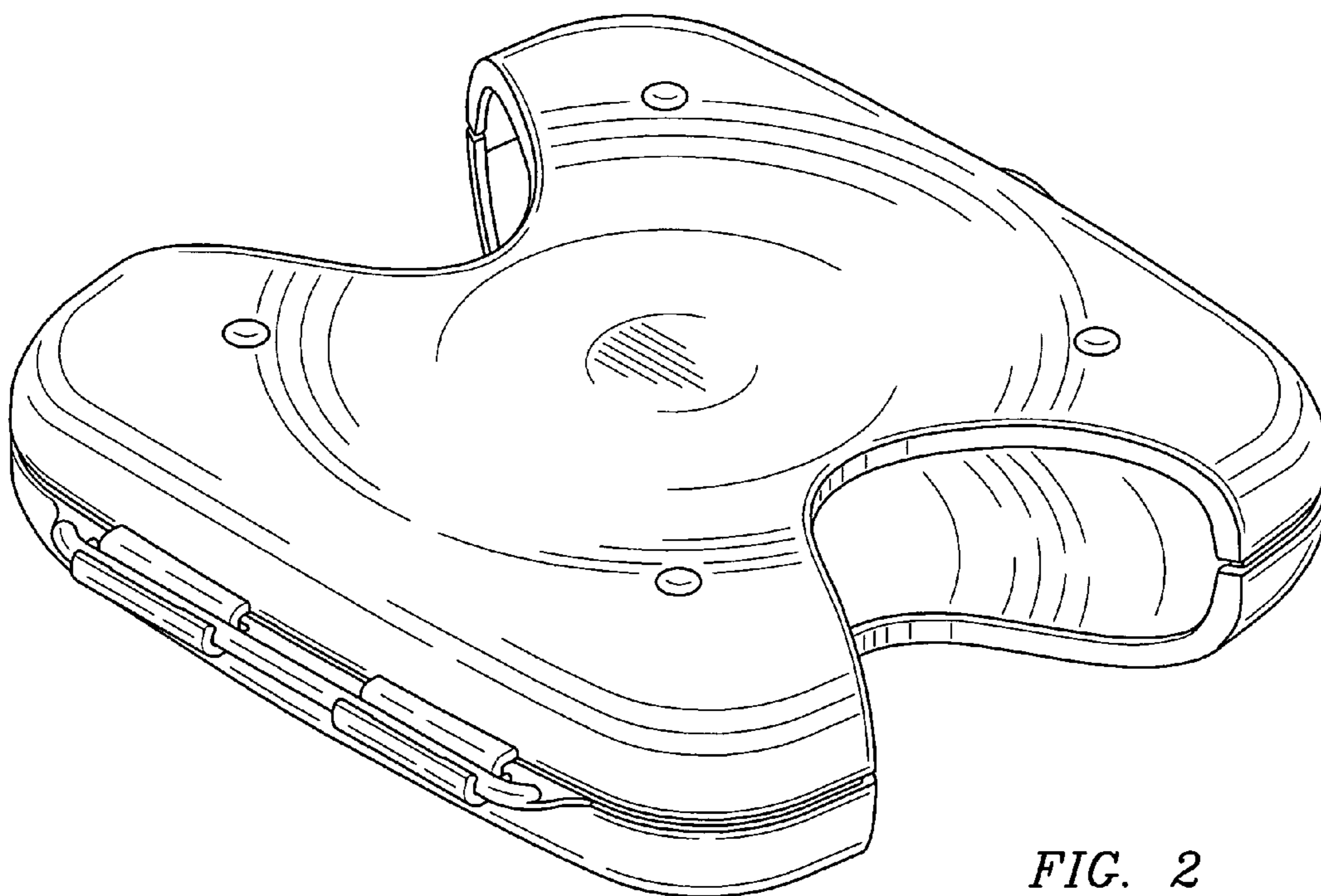


FIG. 2

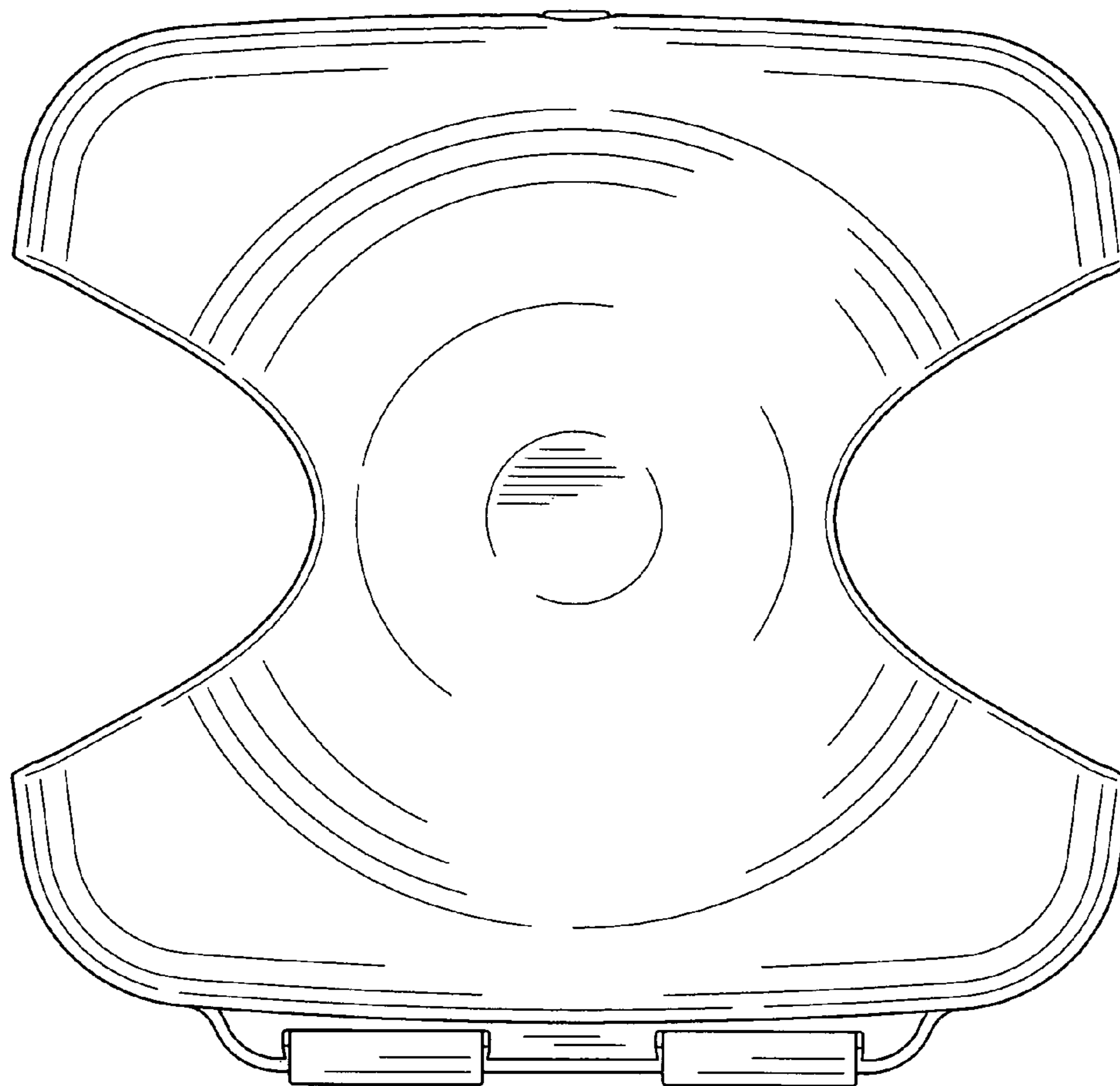


FIG. 3

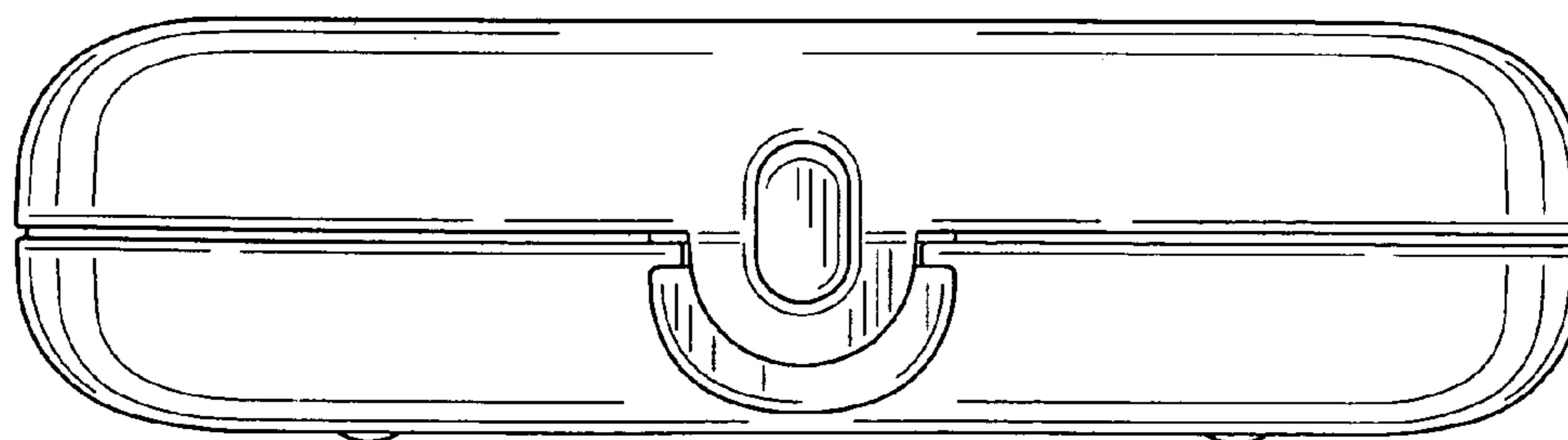


FIG. 5

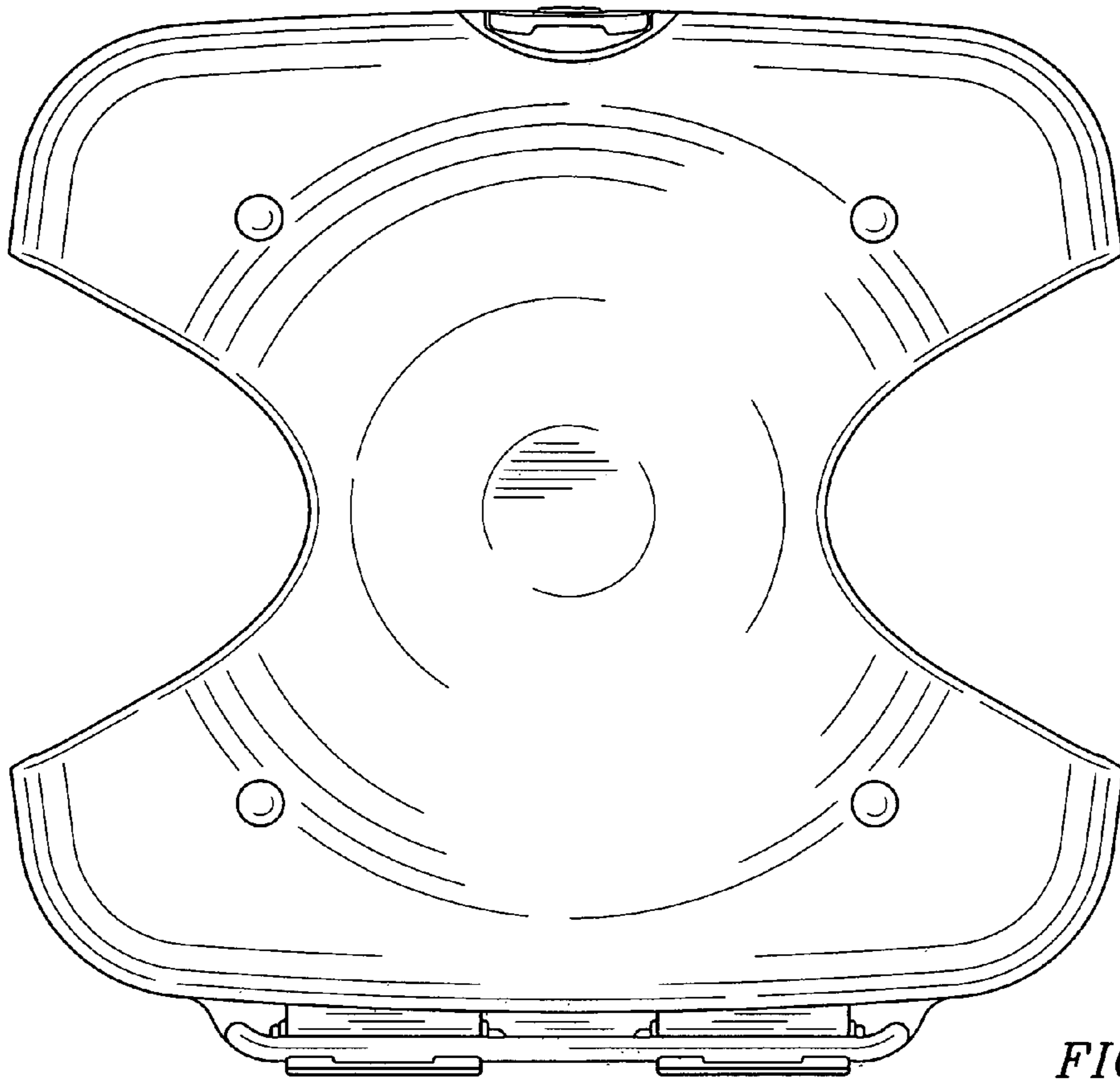


FIG. 4

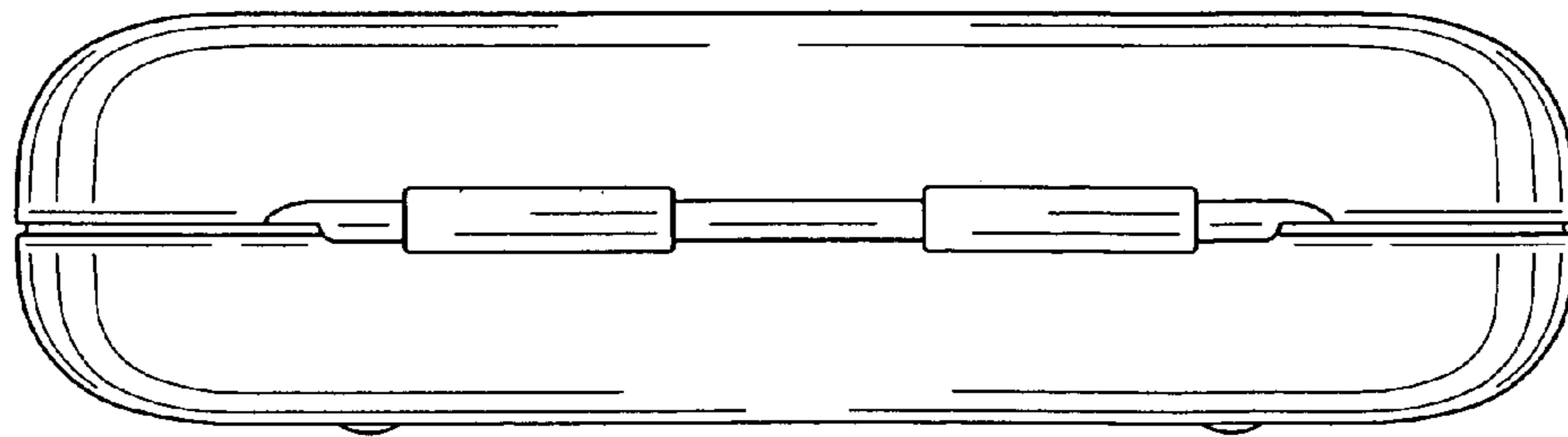


FIG. 6

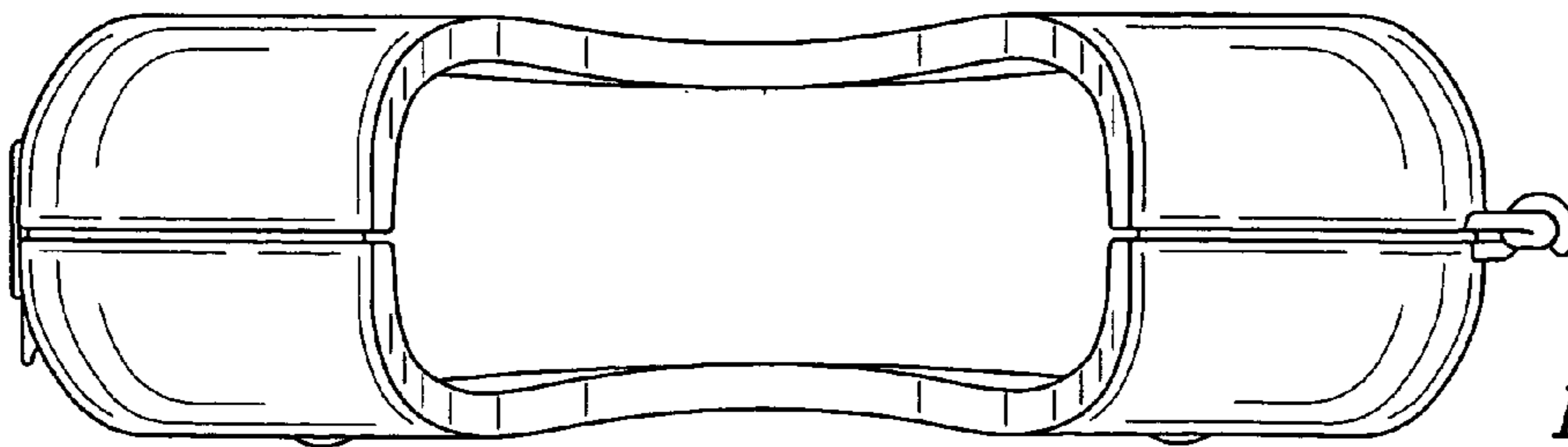


FIG. 7