



US00D657204S

(12) **United States Design Patent**
Seehoff et al.

(10) **Patent No.:** **US D657,204 S**
(45) **Date of Patent:** **** Apr. 10, 2012**

(54) **FOOD HOLDER**

(75) Inventors: **Gary Stanley Seehoff**, Encino, CA
(US); **Huy Kha Nguyen**, Anaheim, CA
(US)

(73) Assignee: **Evriholder Products, LLC**, Anaheim,
CA (US)

(**) Term: **14 Years**

(21) Appl. No.: **29/390,949**

(22) Filed: **Apr. 30, 2011**

(51) **LOC (9) Cl.** **07-07**

(52) **U.S. Cl.** **D7/629**

(58) **Field of Classification Search** D7/601,
D7/602, 629, 630, 538-542, 612-615, 584,
D7/586, 587; D9/424-432; D3/273; 229/107,
229/406, 120, 125.17; 220/669-673, 675,
220/574-575, 573.1, 660, 326, 236, 780-806,
220/4.21, 4.24, 288, 260

See application file for complete search history.

(56) **References Cited**

U.S. PATENT DOCUMENTS

4,412,630 A * 11/1983 Daenen 220/792
D279,251 S * 6/1985 Daenen et al. D7/629
D342,193 S * 12/1993 Smith D7/629

D355,814 S * 2/1995 VanValkenburg et al. D7/629
D490,278 S * 5/2004 Welsh D7/629
D542,100 S * 5/2007 Kim D7/629
D568,694 S * 5/2008 Furlong D7/629
D575,114 S * 8/2008 Moghavem D7/629
D591,148 S * 4/2009 Parikh et al. D9/425

* cited by examiner

Primary Examiner — Terry Wallace

(57) **CLAIM**

The ornamental design for a food holder, as shown and described.

DESCRIPTION

FIG. 1 illustrates a top view of the claimed design for a food holder;

FIG. 2 illustrates a front view thereof;

FIG. 3 illustrates a left-side view thereof;

FIG. 4 illustrates a right-side view thereof;

FIG. 5 illustrates a rear view thereof;

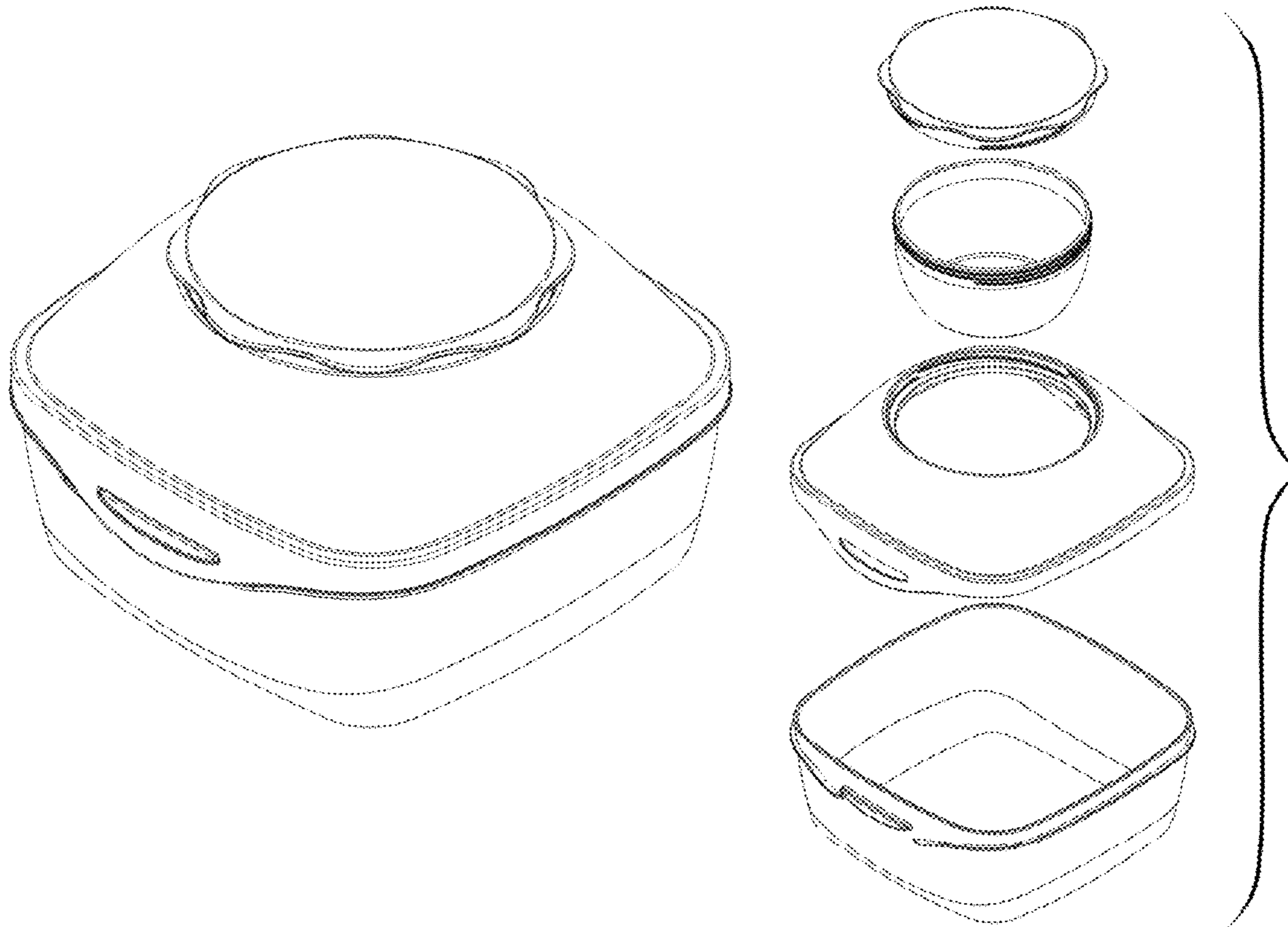
FIG. 6 illustrates a bottom view thereof;

FIG. 7 illustrates a cross-sectional view thereof, taken along line 7-7 of FIG. 2;

FIG. 8 illustrates a perspective view thereof; and,

FIG. 9 illustrates an exploded view thereof.

1 Claim, 9 Drawing Sheets



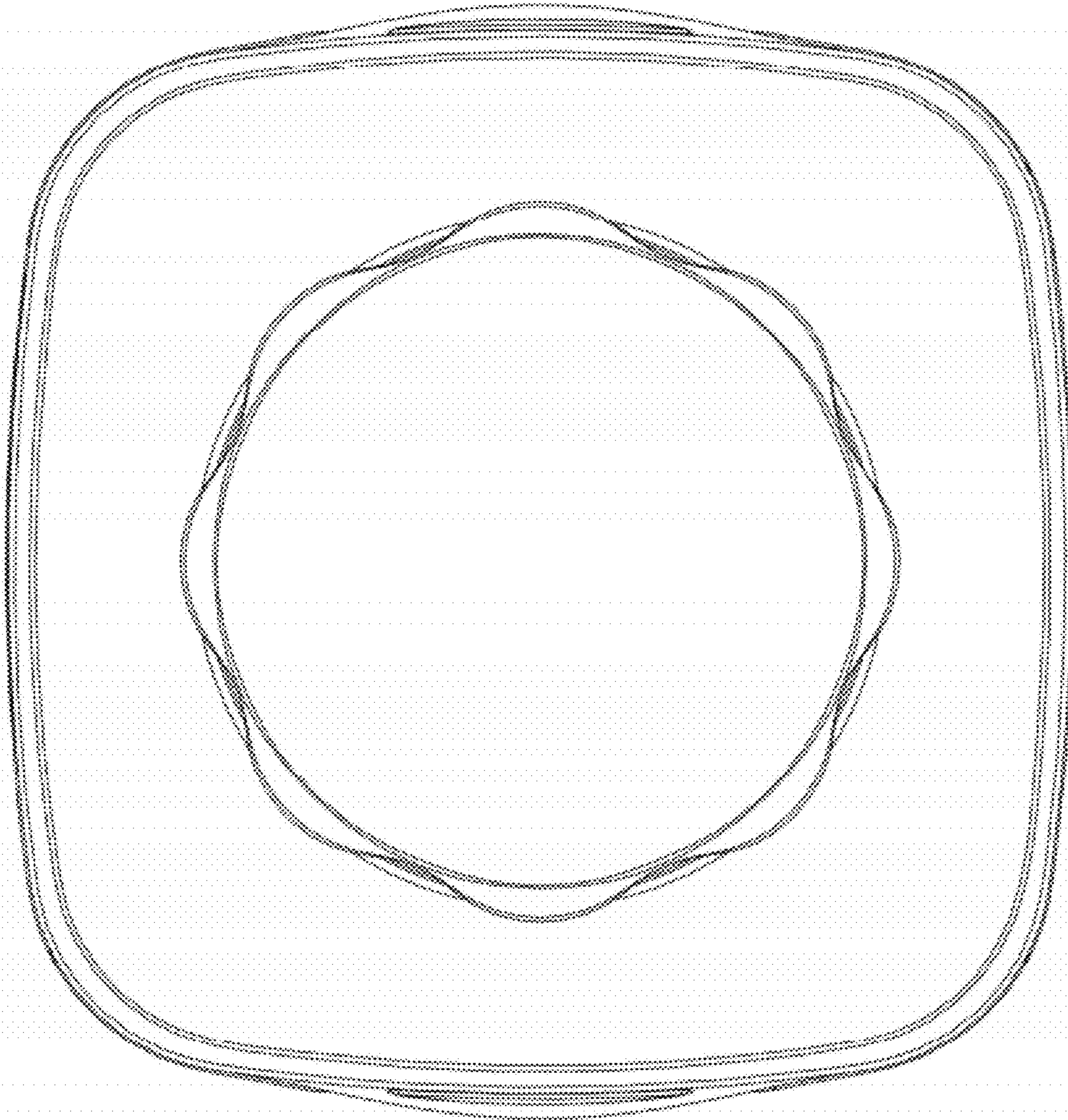


FIG 1

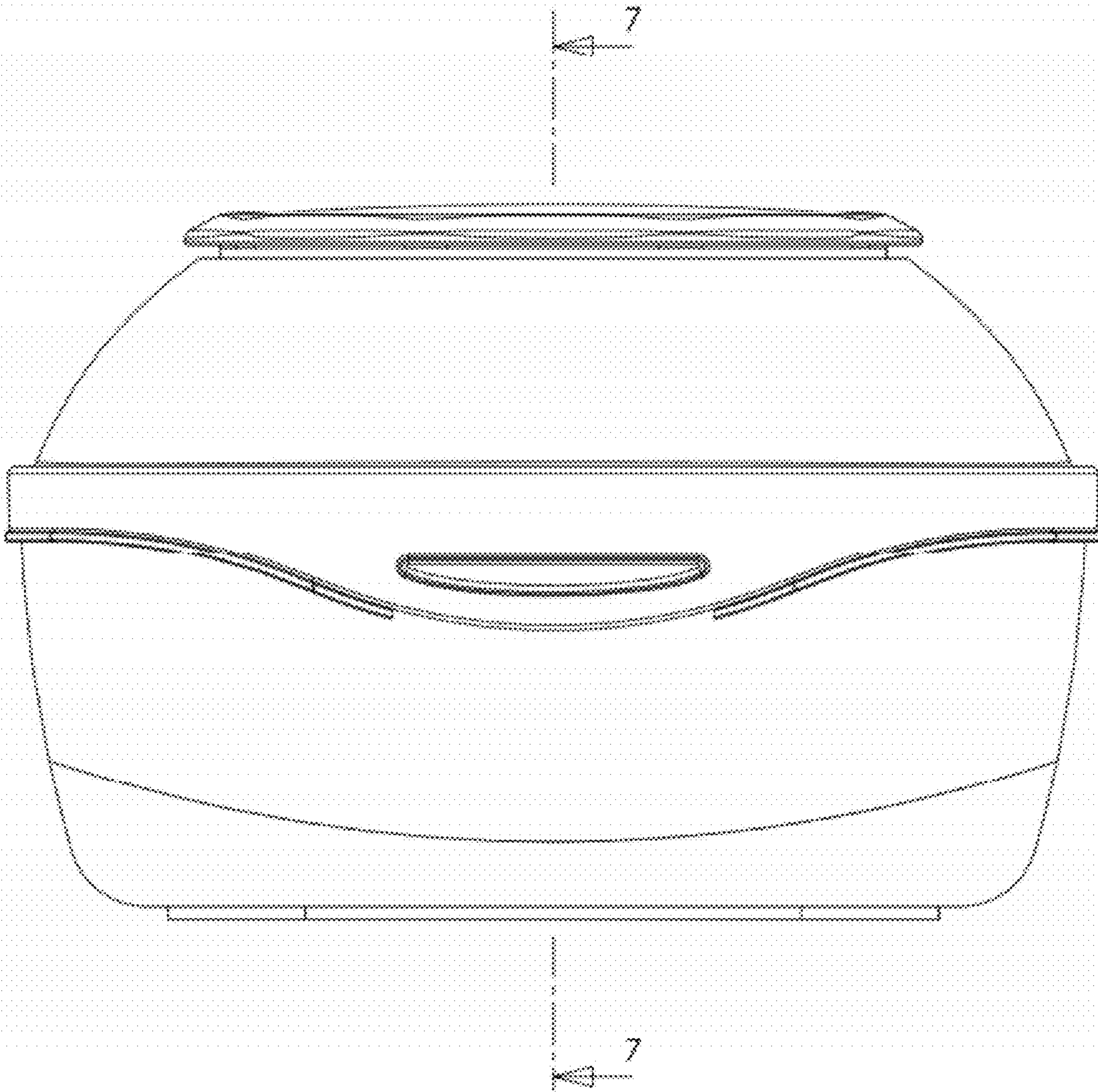


FIG 2

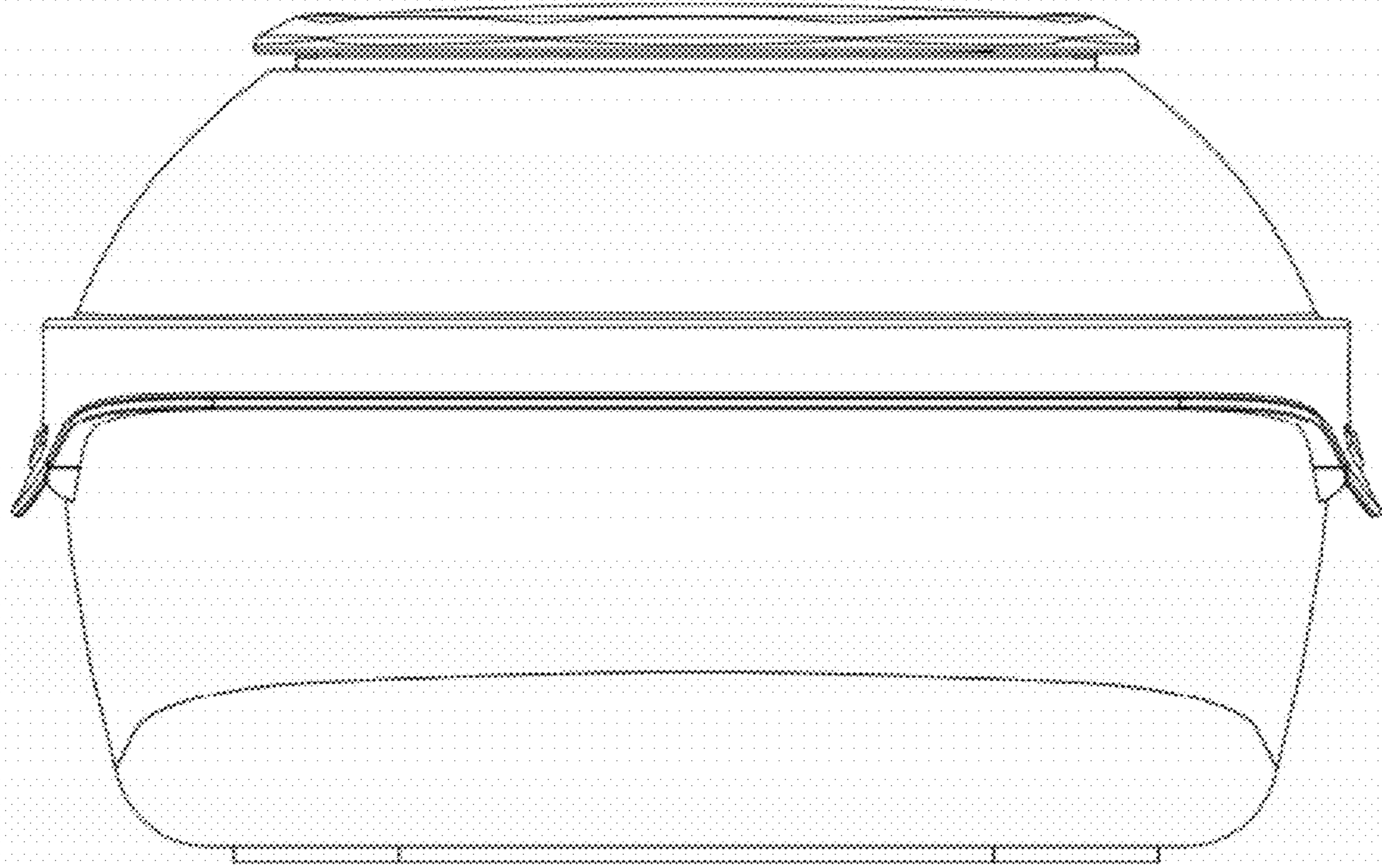


FIG 3

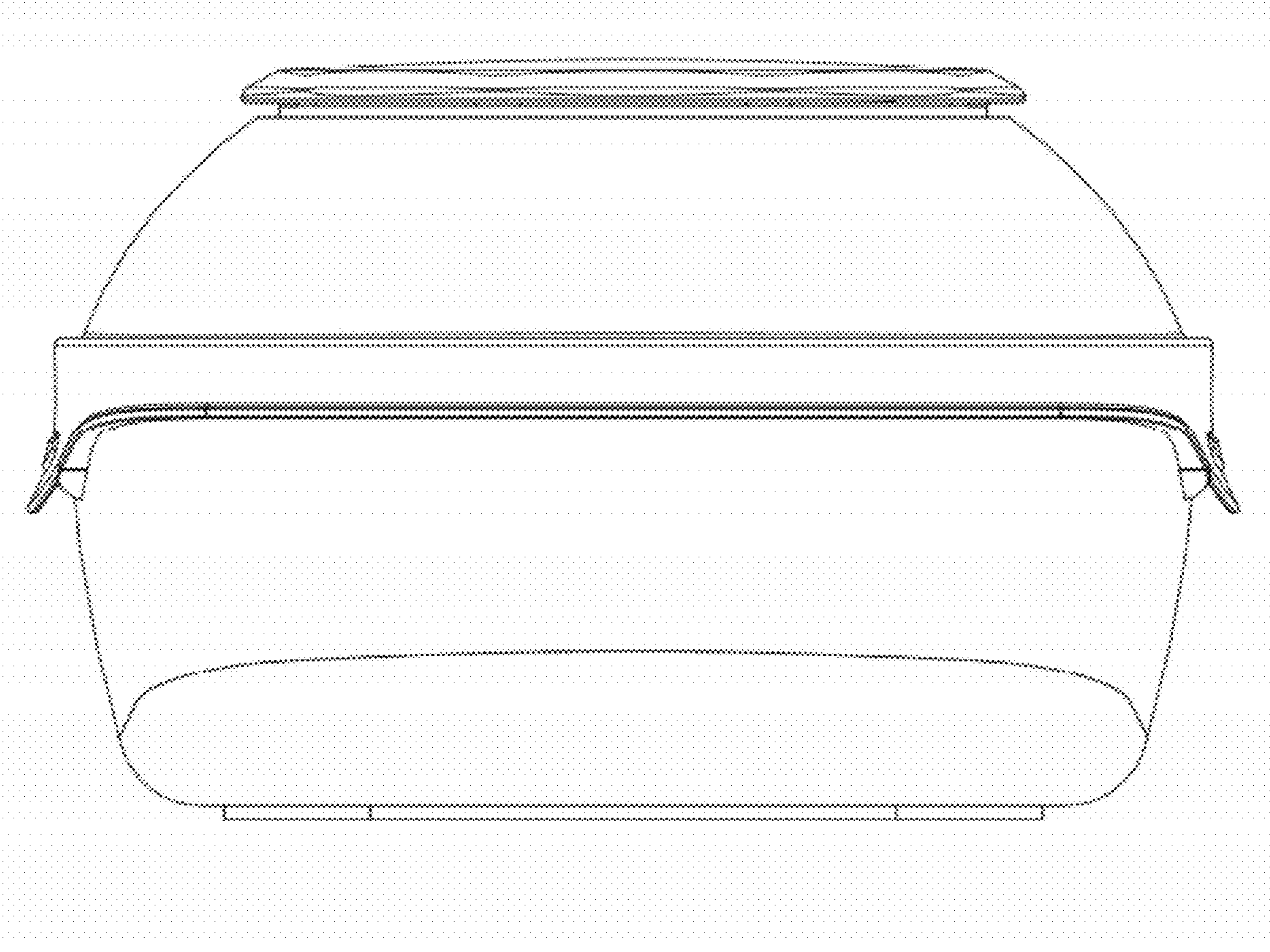


FIG 4

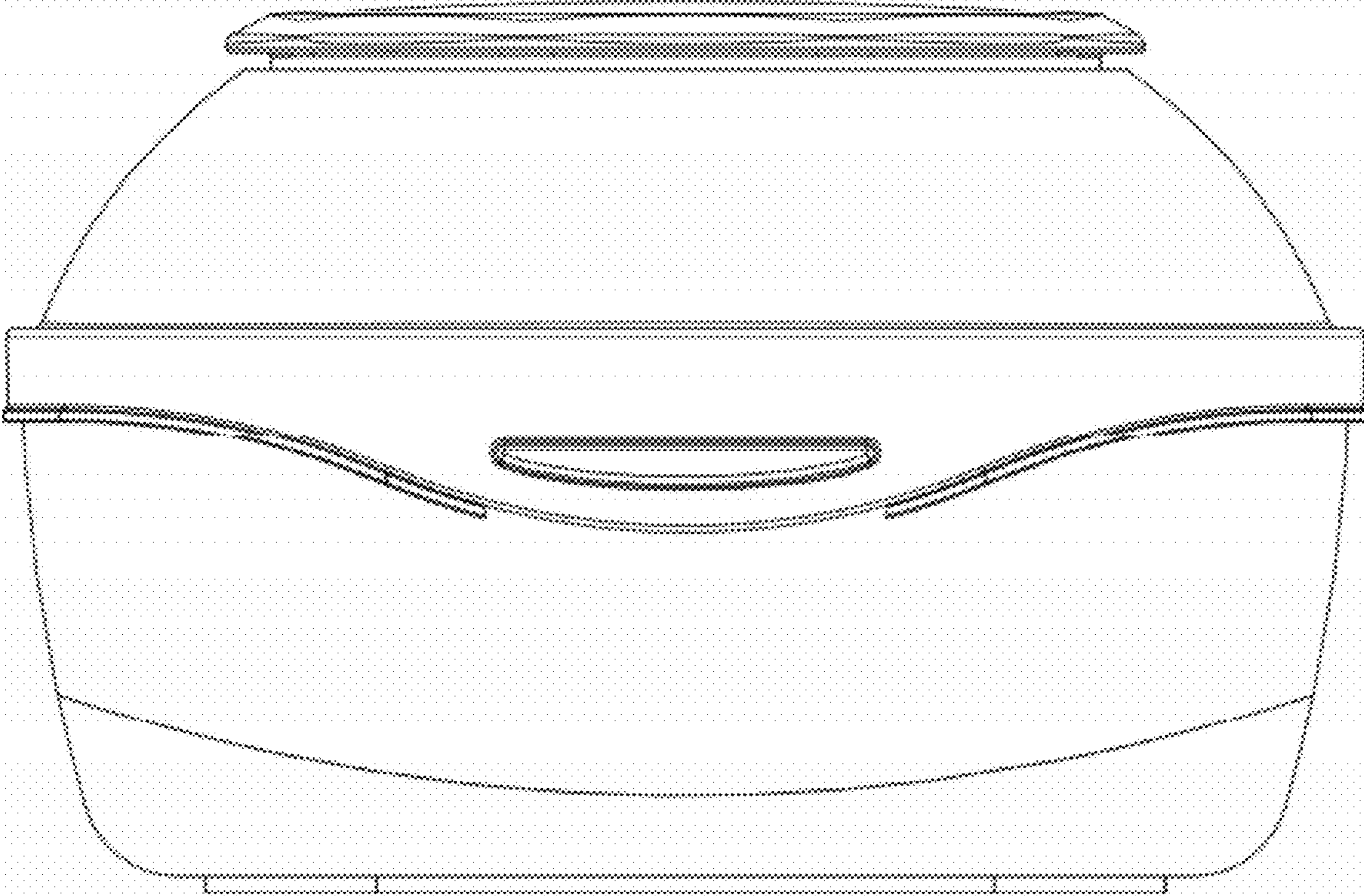


FIG 5

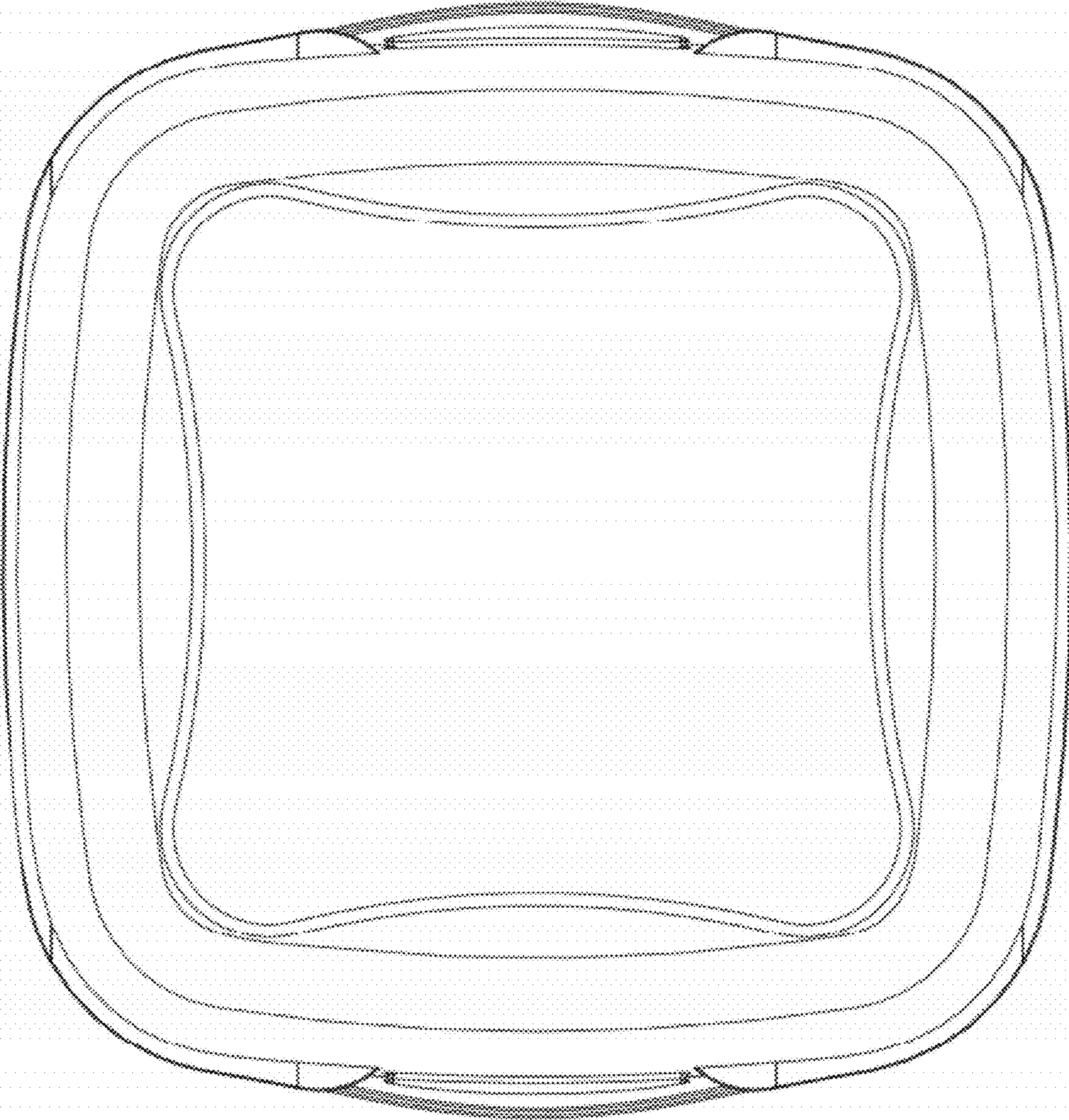


FIG 6

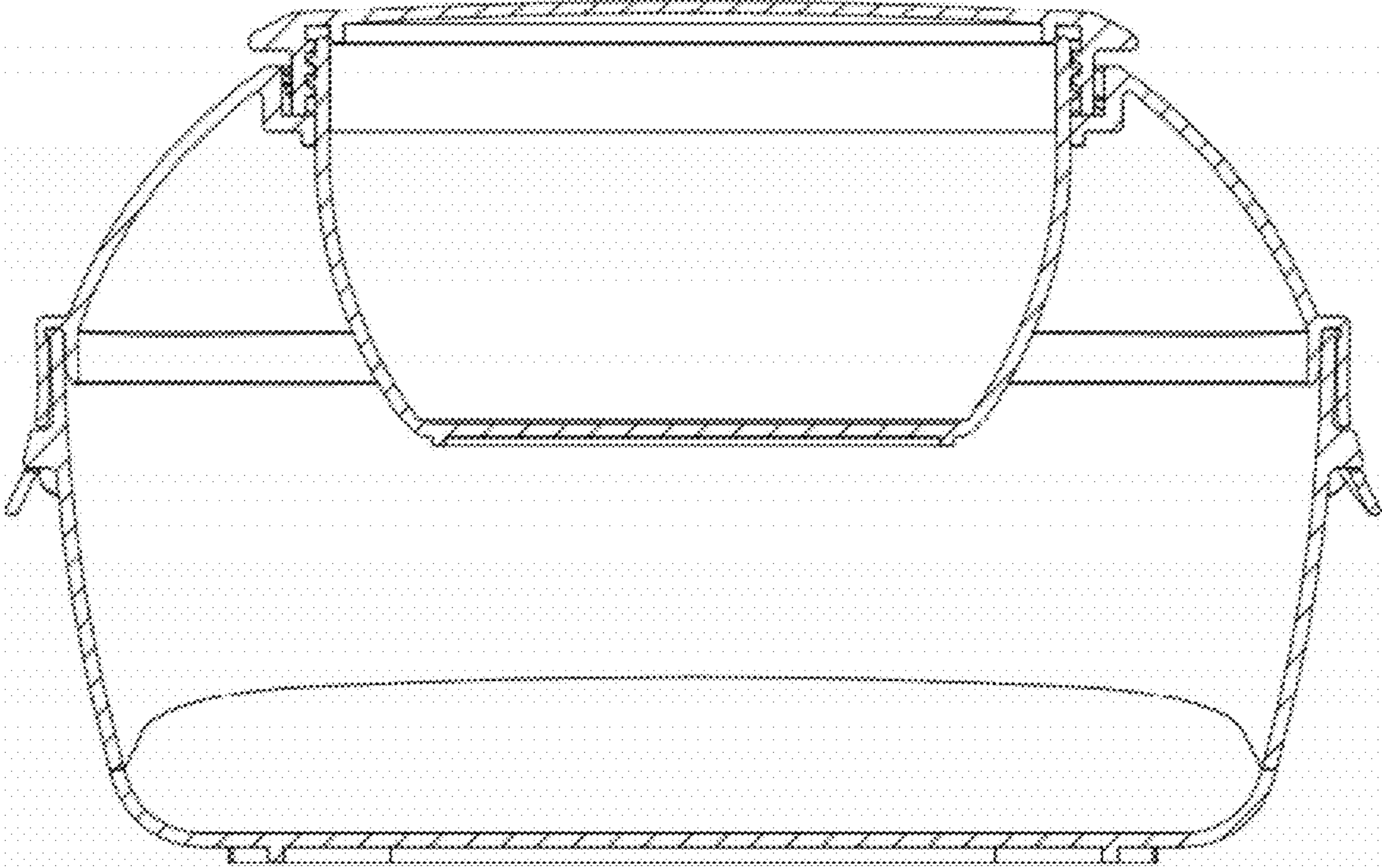


FIG 7

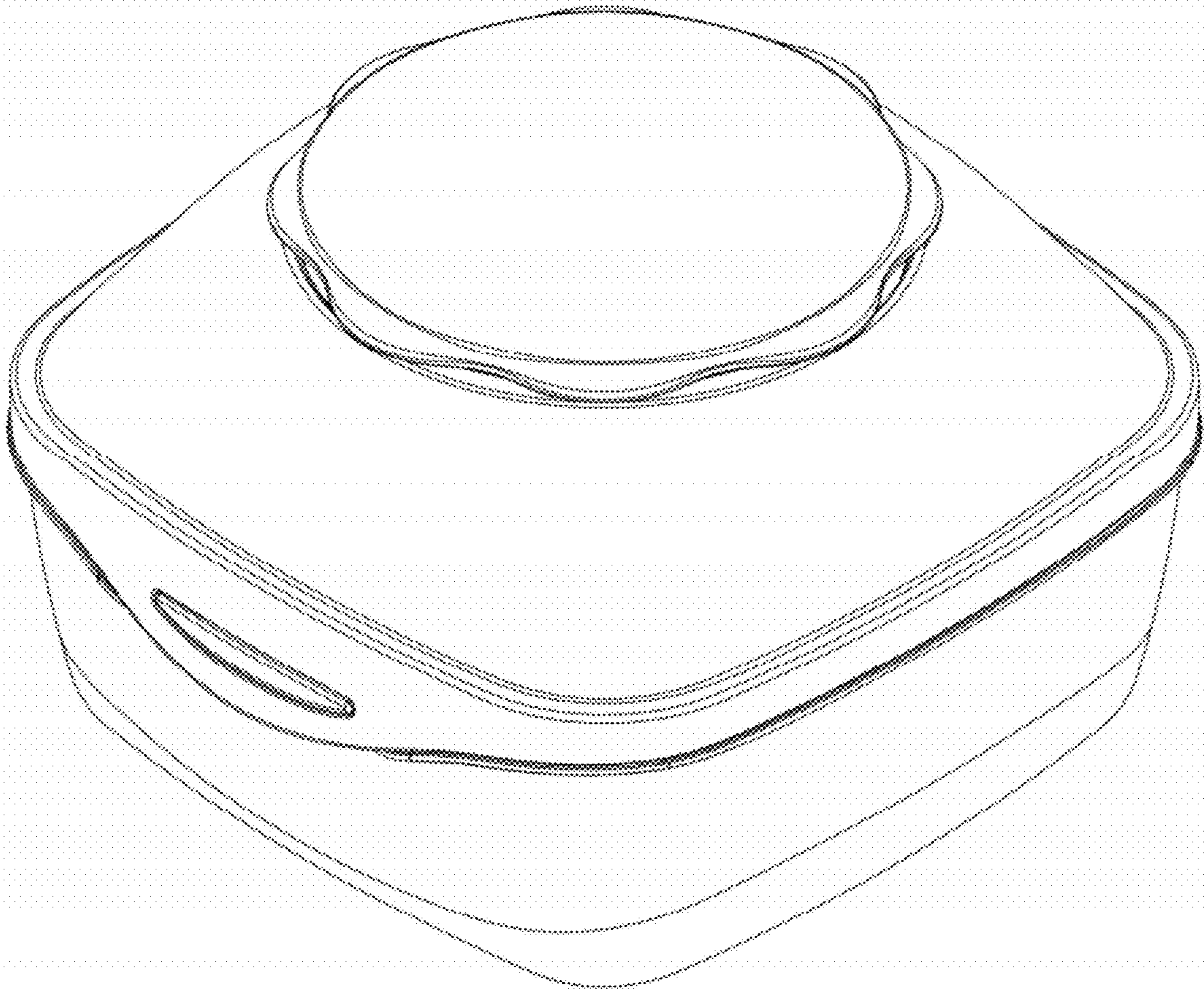


FIG 8

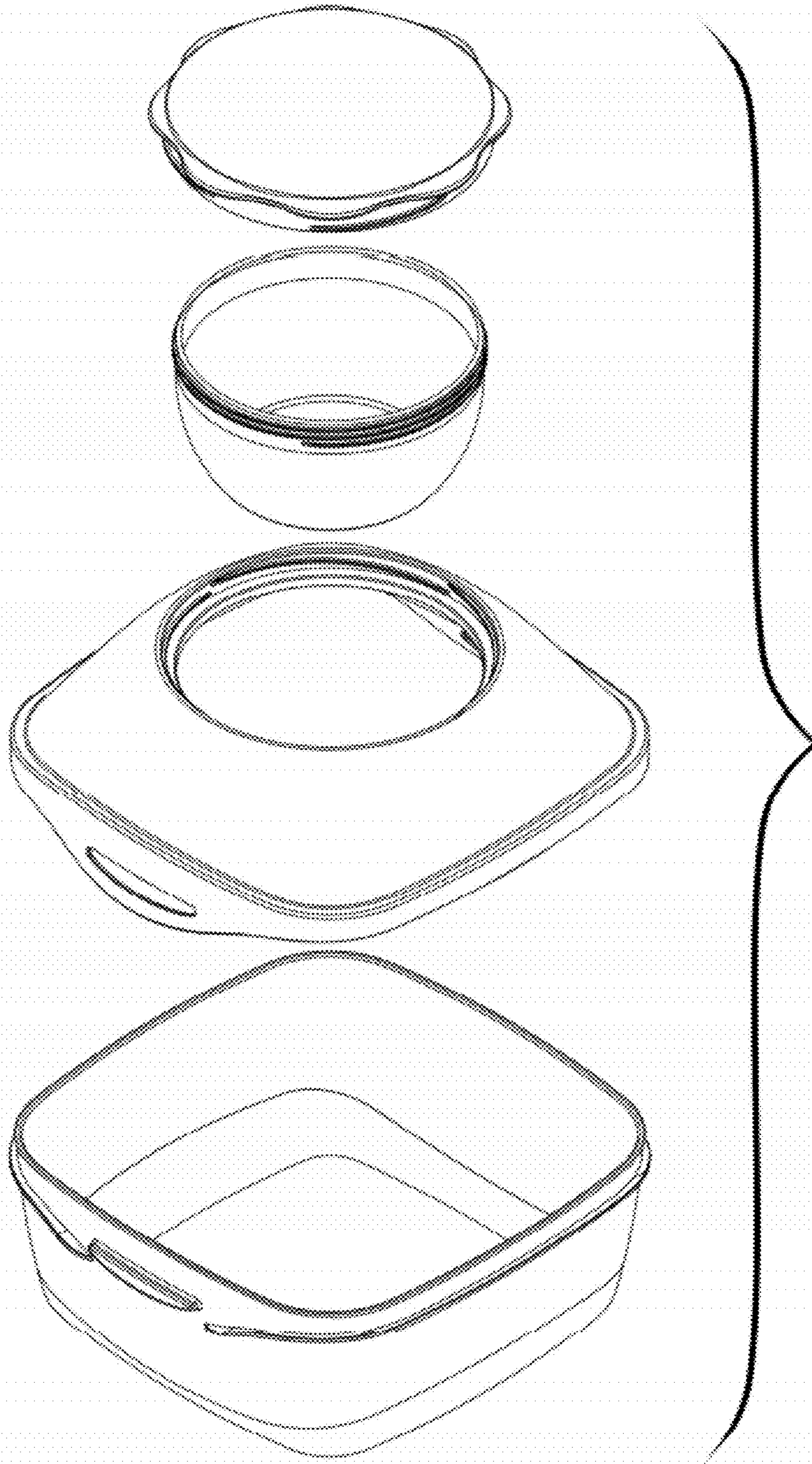


FIG 9