



US00D657202S

(12) **United States Design Patent**  
**Sanders**

(10) **Patent No.:** **US D657,202 S**

(45) **Date of Patent:** **\*\* Apr. 10, 2012**

(54) **CONTAINER SLEEVE**

(75) Inventor: **Scott Sanders**, Moreland Hills, OH (US)

(73) Assignee: **Scott Sanders**, Moreland Hills, OH (US)

(\*\*) Term: **14 Years**

(21) Appl. No.: **29/399,951**

(22) Filed: **Aug. 22, 2011**

**Related U.S. Application Data**

(62) Division of application No. 29/389,894, filed on Apr. 18, 2011, now Pat. No. Des. 648,185.

(51) **LOC (9) Cl.** ..... **07-06**

(52) **U.S. Cl.** ..... **D7/624.2**

(58) **Field of Classification Search** ..... D7/601-602,  
D7/619.1, 624.1, 624.2, 388; D9/444, 455,  
D9/501, 517, 433; D24/199; 215/11.6; 220/592.16,  
220/592.17, 737-739, 902-903; 229/89-91  
See application file for complete search history.

(56) **References Cited**

**U.S. PATENT DOCUMENTS**

6,032,826 A \* 3/2000 Libit et al. .... 220/738  
6,273,333 B1 \* 8/2001 Ward ..... 229/402  
7,858,015 B2 \* 12/2010 Urquhart et al. .... 264/301  
D634,588 S \* 3/2011 Cook et al. .... D7/619.1

D634,589 S \* 3/2011 Cook et al. .... D7/619.1  
D648,185 S \* 11/2011 Sanders ..... D7/624.2  
2006/0000882 A1 \* 1/2006 Darzinskas ..... 229/403

\* cited by examiner

*Primary Examiner* — Ian Simmons

*Assistant Examiner* — Dana L Sipos

(74) *Attorney, Agent, or Firm* — Fay Sharpe LLP; Brian E. Turung

(57) **CLAIM**

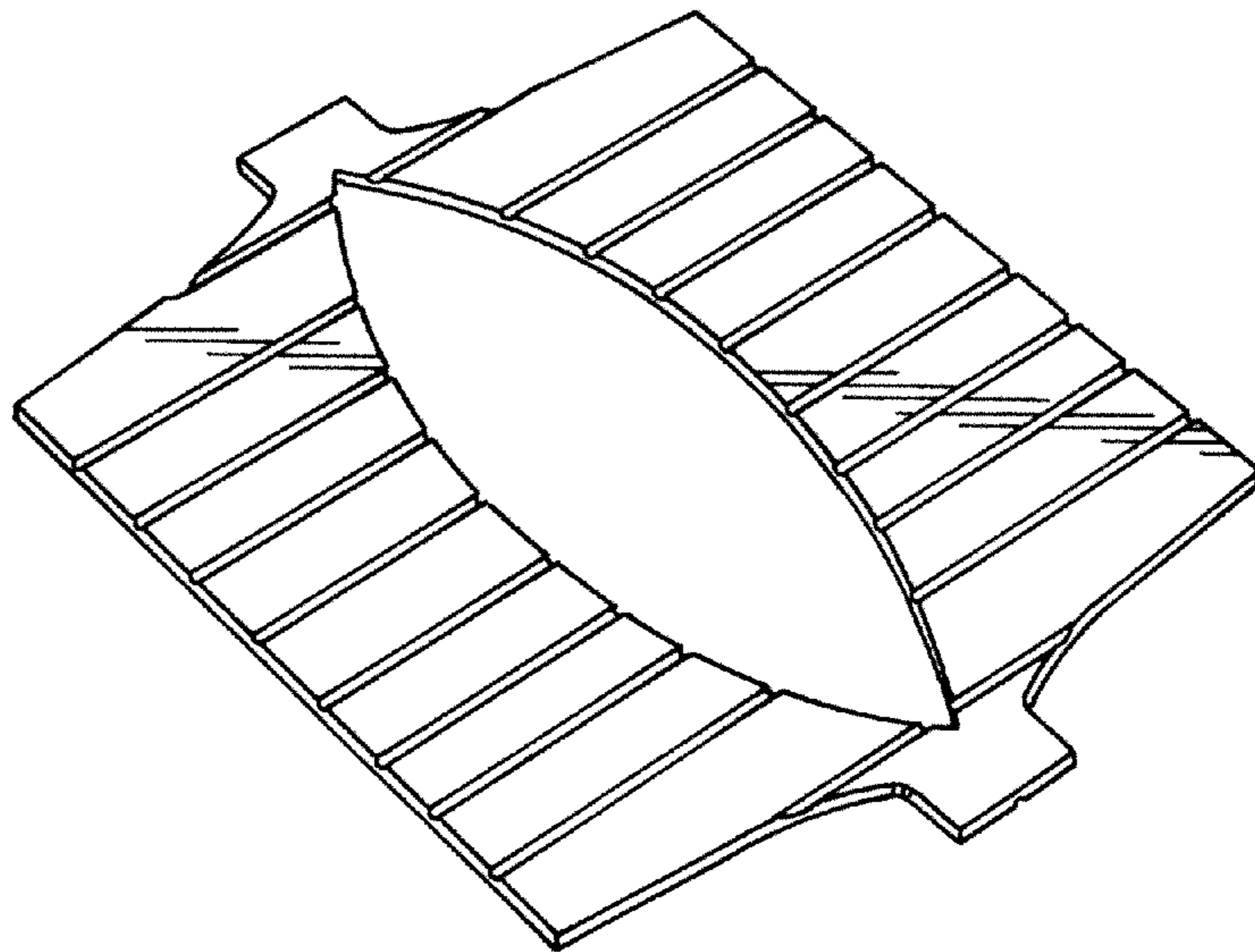
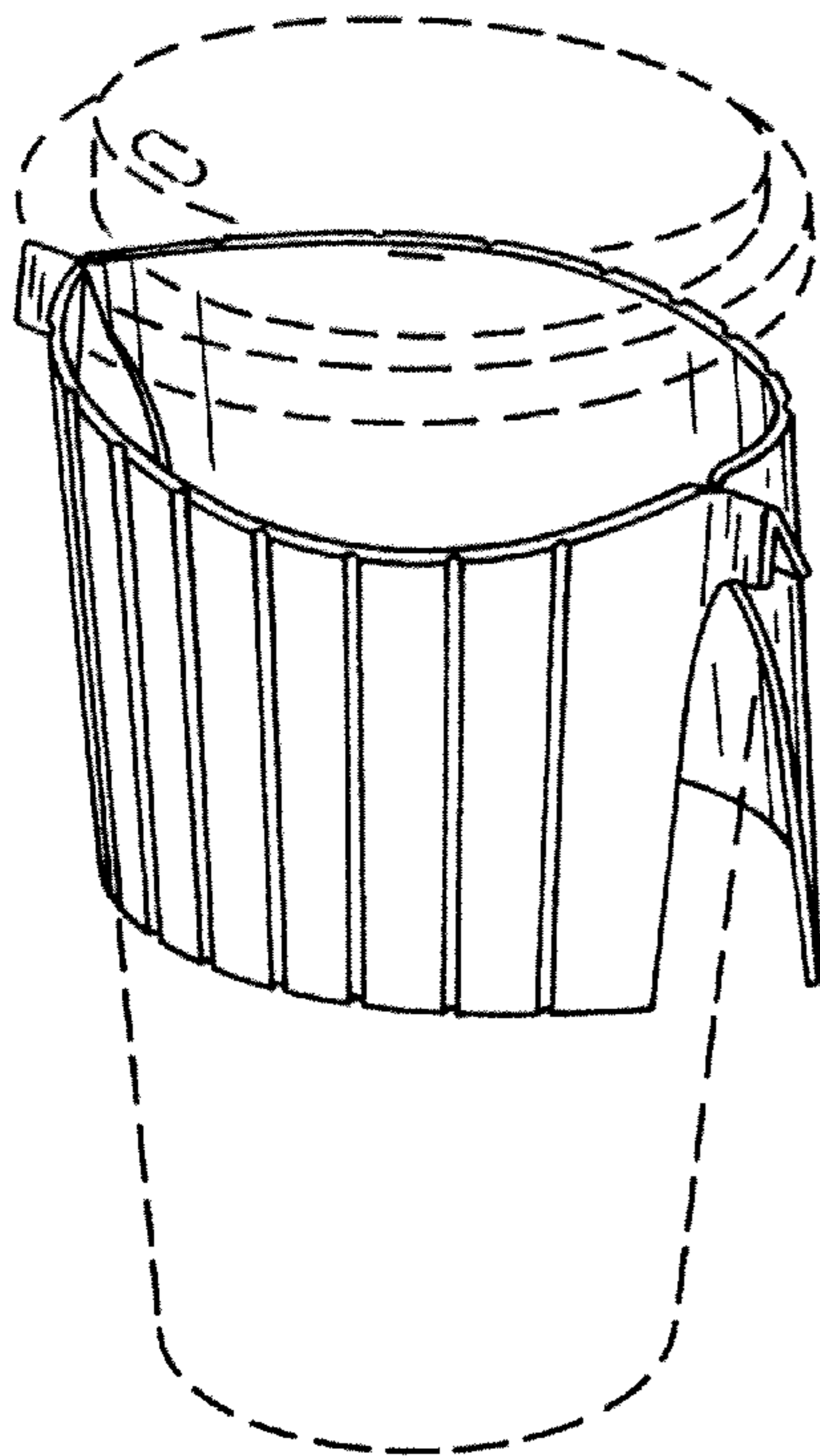
The ornamental design for a container sleeve, as shown and described.

**DESCRIPTION**

FIG. 1 is a top perspective view of a container sleeve showing my new design, shown in use;  
FIG. 2 is a top, front, right side perspective view of the container sleeve of FIG. 1, when not in use;  
FIG. 3 is a front elevation view thereof;  
FIG. 4 is a left side elevation view thereof;  
FIG. 5 is a right side elevation view thereof;  
FIG. 6 is a top plan view thereof;  
FIG. 7 is a bottom plan view thereof; and,  
FIG. 8 is a rear elevation view thereof.

In the drawings, the broken lines depict environmental subject matter only and form no part of the claimed design.

**1 Claim, 3 Drawing Sheets**



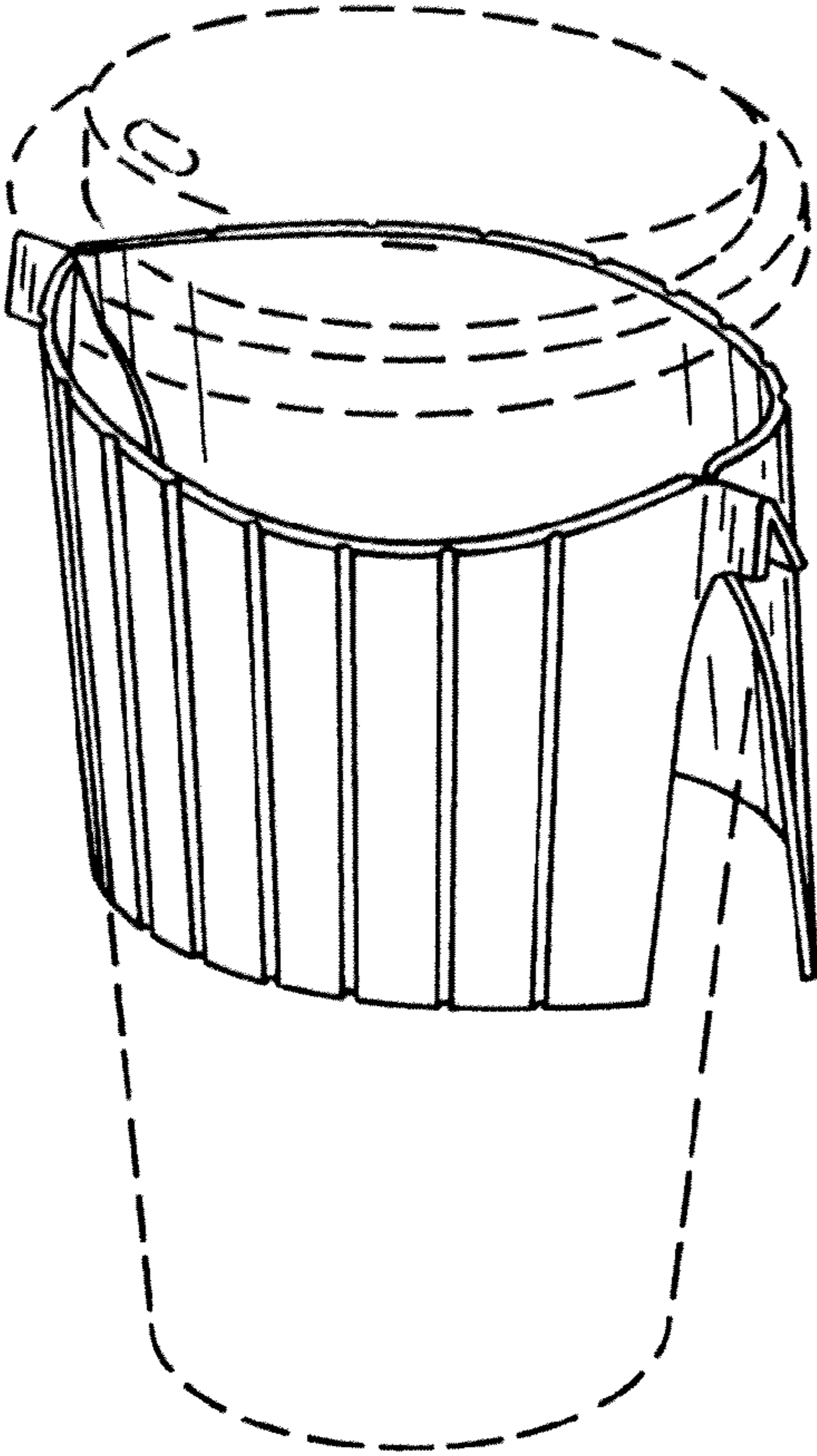


FIG. 1

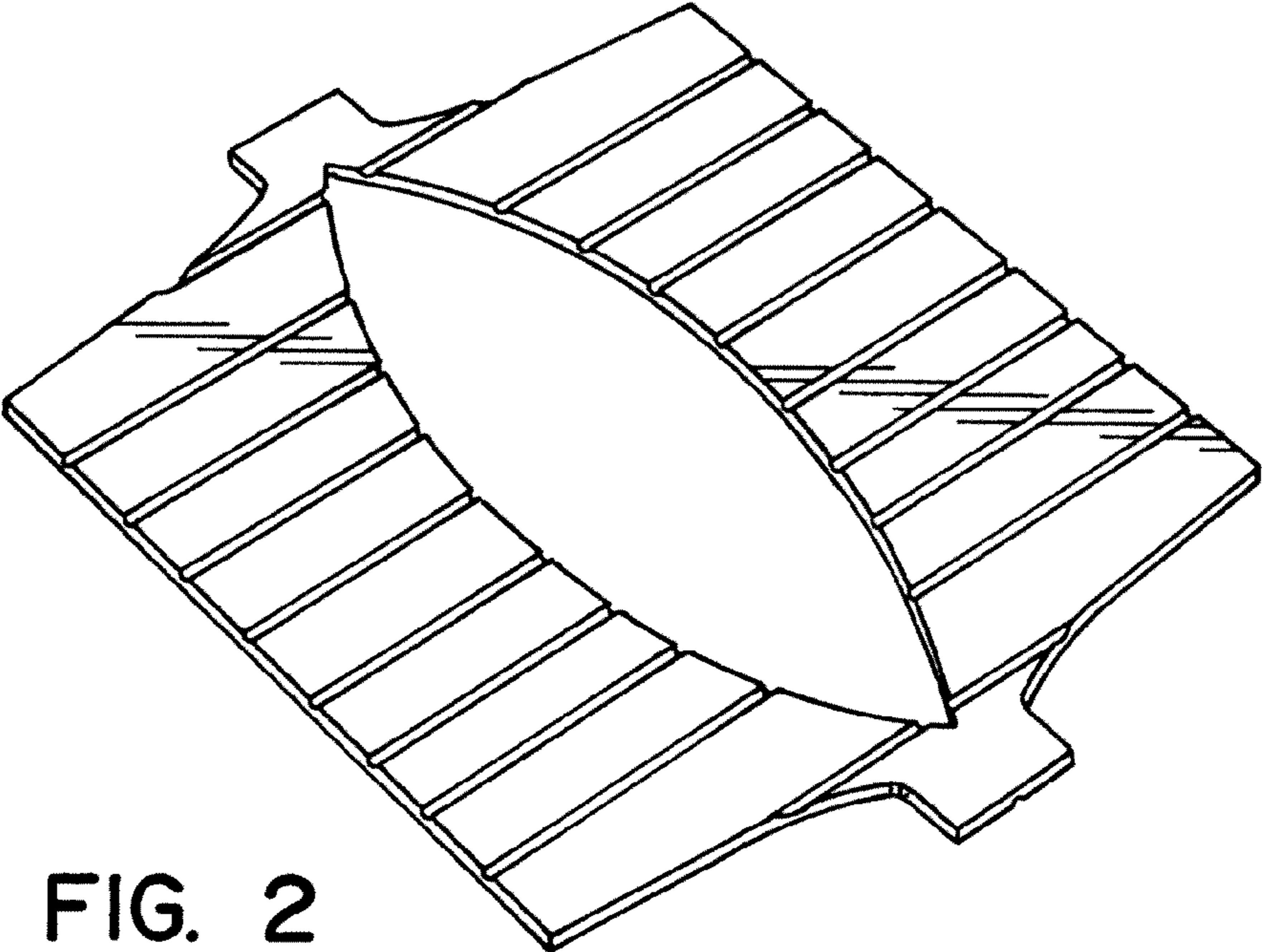


FIG. 2

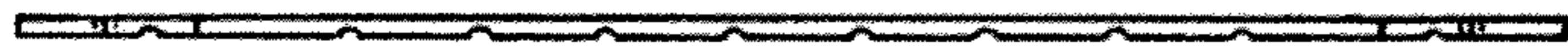


FIG. 6



FIG. 4

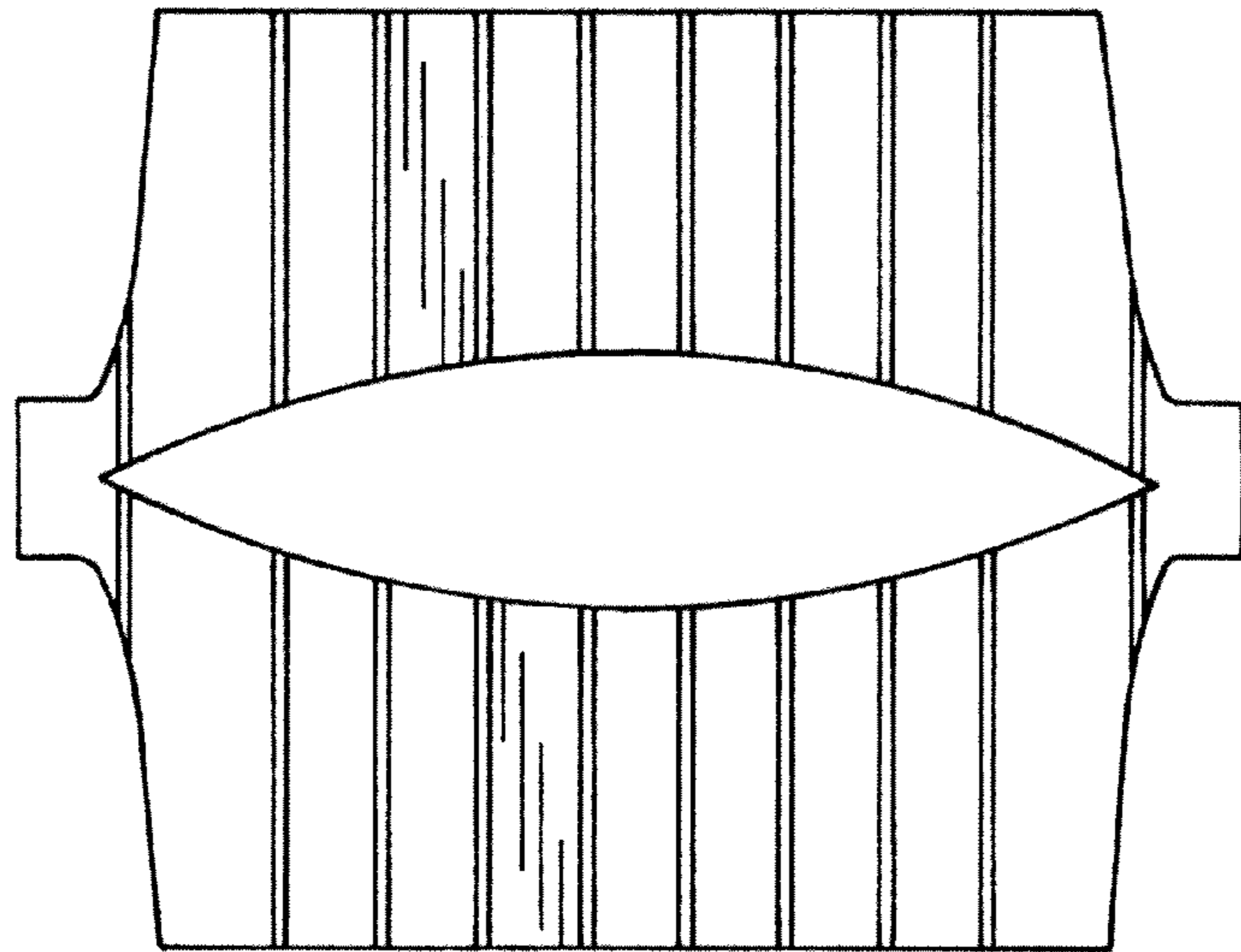


FIG. 3



FIG. 5

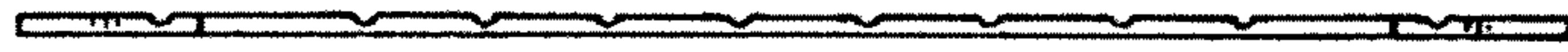


FIG. 7

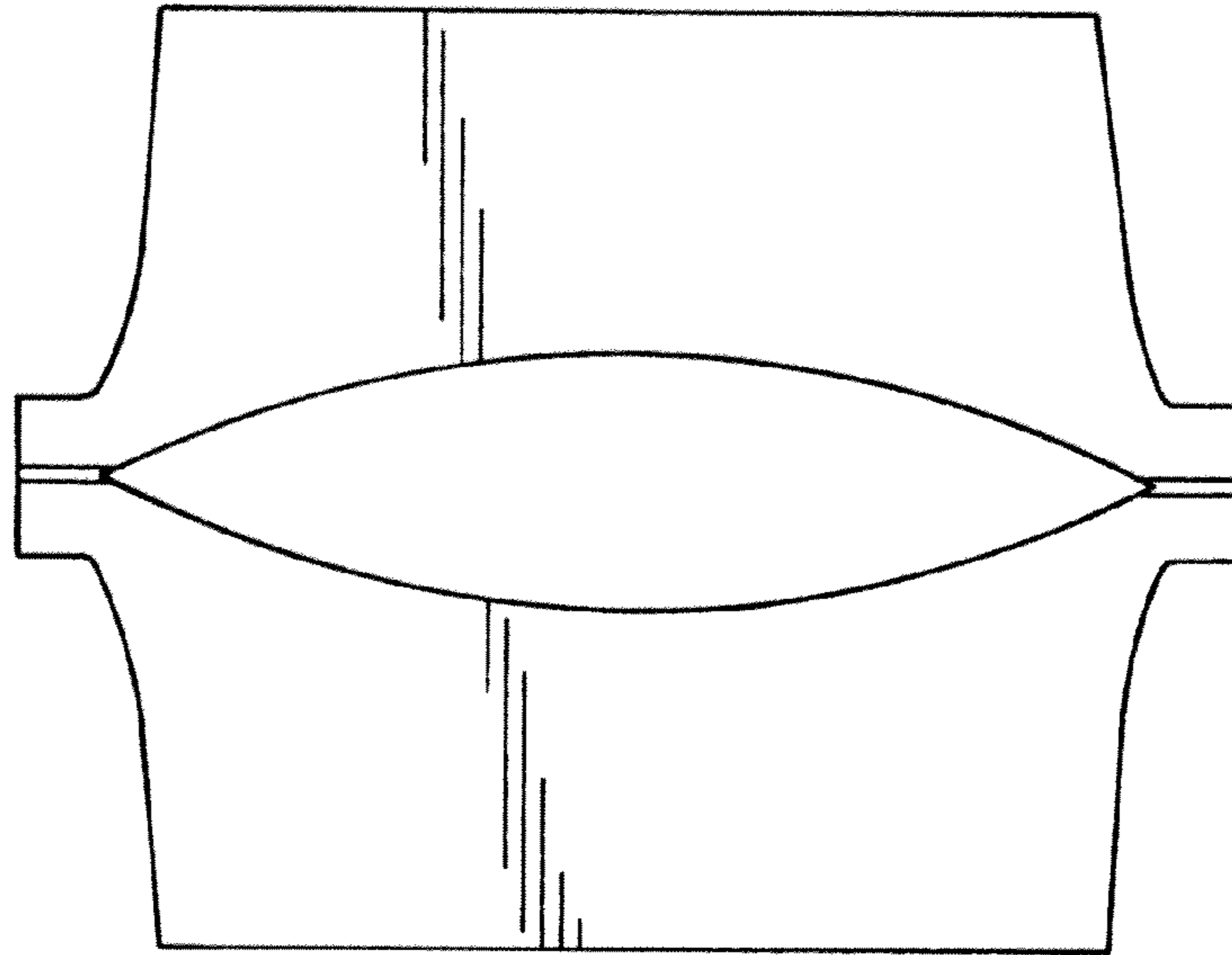


FIG. 8