



US00D657200S

(12) **United States Design Patent**  
**Chen**

(10) **Patent No.:** **US D657,200 S**

(45) **Date of Patent:** **\*\* Apr. 10, 2012**

(54) **SUPPORTING FRAME FOR CUP LIKE OBJECT**

6,457,691 B1 \* 10/2002 Kao ..... 248/311.2  
D538,608 S \* 3/2007 Goodman et al. .... D7/704  
2004/0216372 A1 \* 11/2004 Voogt ..... 47/47

(76) Inventor: **Fang-Yin Chen**, Taichung Hsien (TW)

\* cited by examiner

(\*\*) Term: **14 Years**

*Primary Examiner* — Terry Wallace

(21) Appl. No.: **29/396,547**

(57) **CLAIM**

(22) Filed: **Jul. 1, 2011**

The ornamental design for a supporting frame for cup like object, as shown and described.

(51) **LOC (9) Cl.** ..... **07-06**

(52) **U.S. Cl.** ..... **D7/600.1**

(58) **Field of Classification Search** .... D7/600.1–600.4,  
D7/701–708; D6/408, 462, 463, 417, 512–515,  
D6/517, 535, 552, 556; 312/45; 47/39, 41.14,  
47/47; 211/13.1, 14, 49.1, 59.1, 59.2, 71.01,  
211/85.11, 106, 181.1

See application file for complete search history.

**DESCRIPTION**

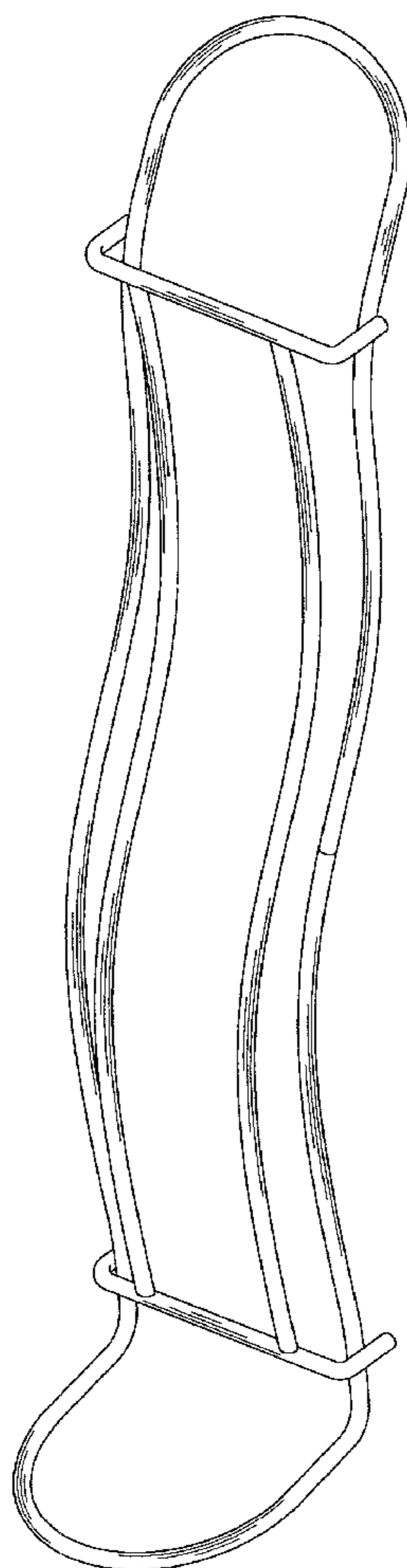
FIG. 1 is a perspective view of a supporting frame for cup like object showing my new design  
FIG. 2 is a front elevational view thereof  
FIG. 3 is a rear elevational view thereof.  
FIG. 4 is a left side view thereof  
FIG. 5 is a right side view thereof  
FIG. 6 is a top plan view thereof  
FIG. 7 is a bottom plan view thereof; and,  
FIG. 8 is a perspective view showing the application of the present invention, where those indicated by dashed lines are not claimed.

(56) **References Cited**

**U.S. PATENT DOCUMENTS**

D250,776 S \* 1/1979 Hard ..... D6/566  
4,421,238 A \* 12/1983 Patton ..... 211/85.11  
D361,449 S \* 8/1995 Rittenberg ..... D6/462  
D461,987 S \* 8/2002 Smith ..... D6/566

**1 Claim, 5 Drawing Sheets**



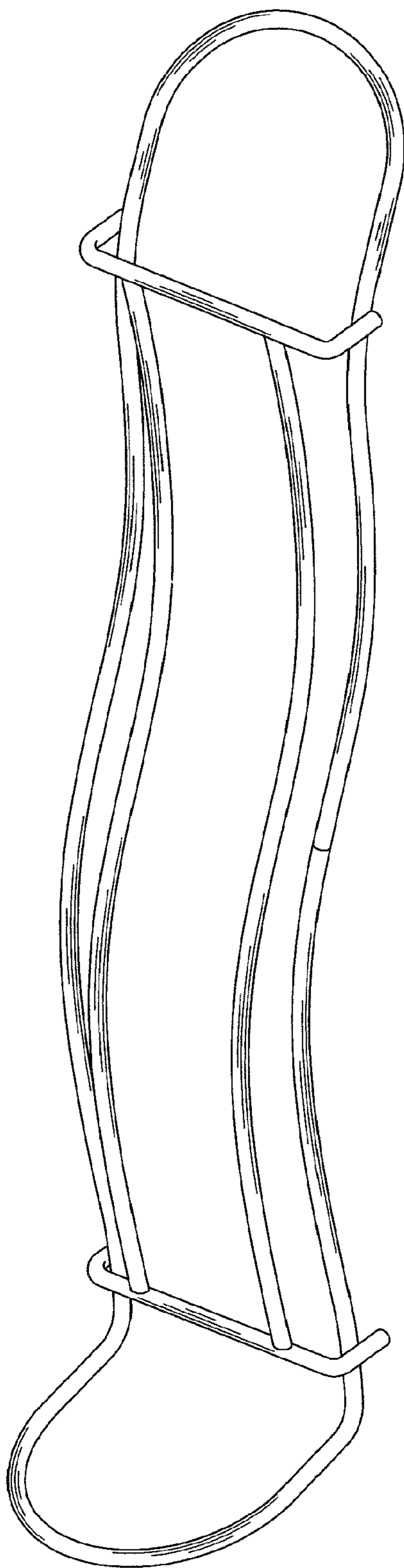


FIG. 1

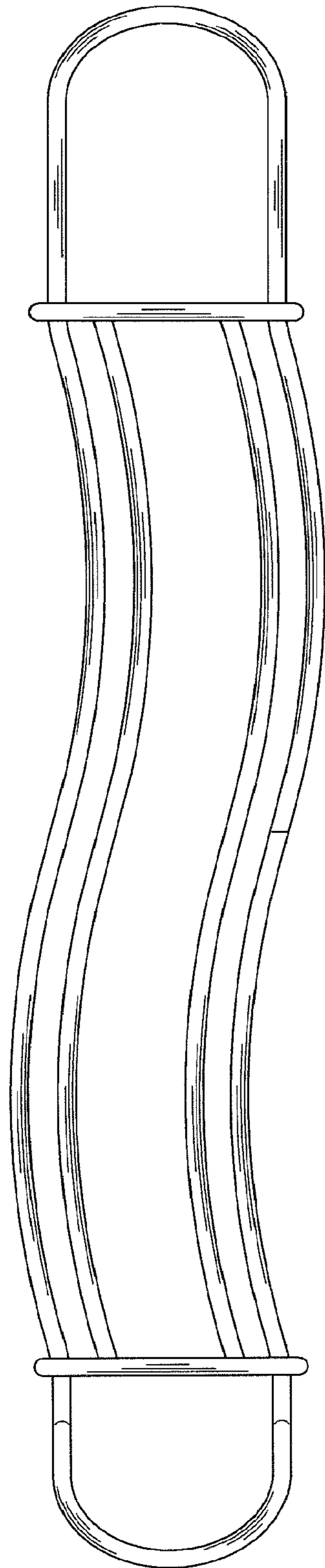


FIG. 2

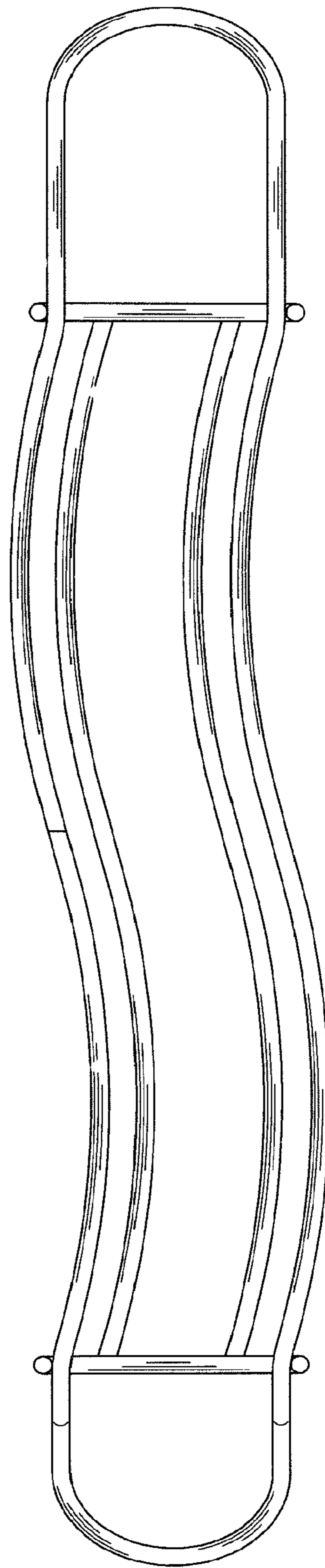


FIG. 3

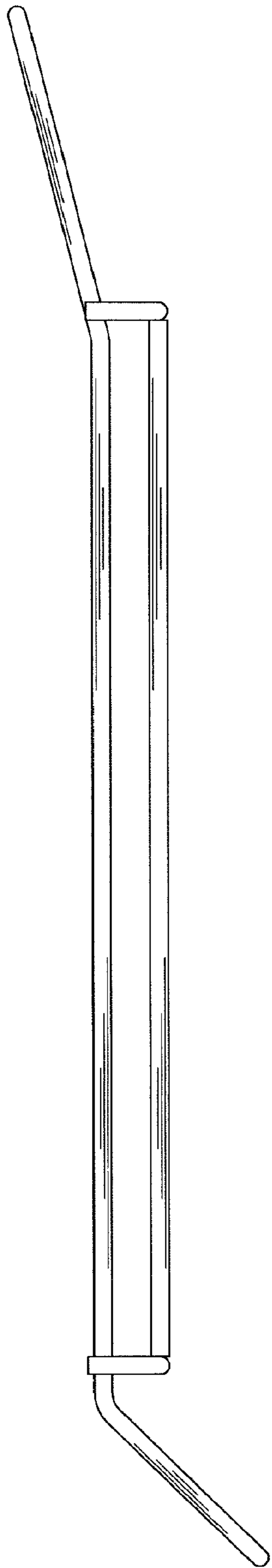


FIG. 4

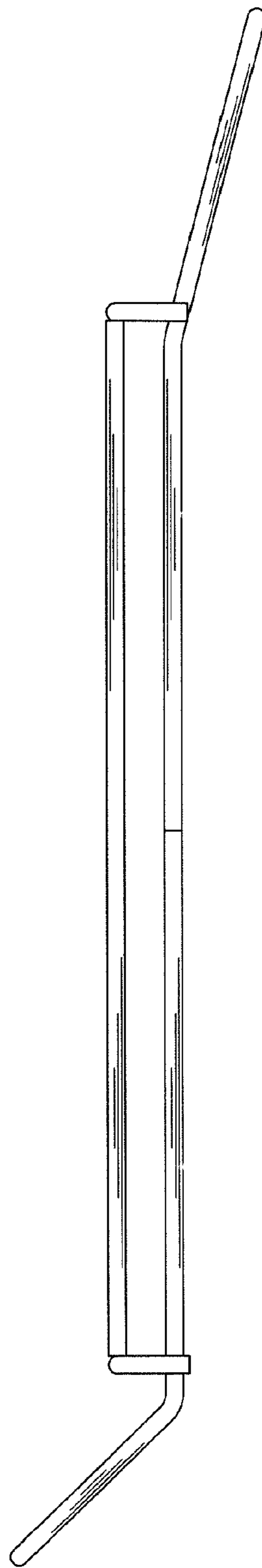


FIG. 5

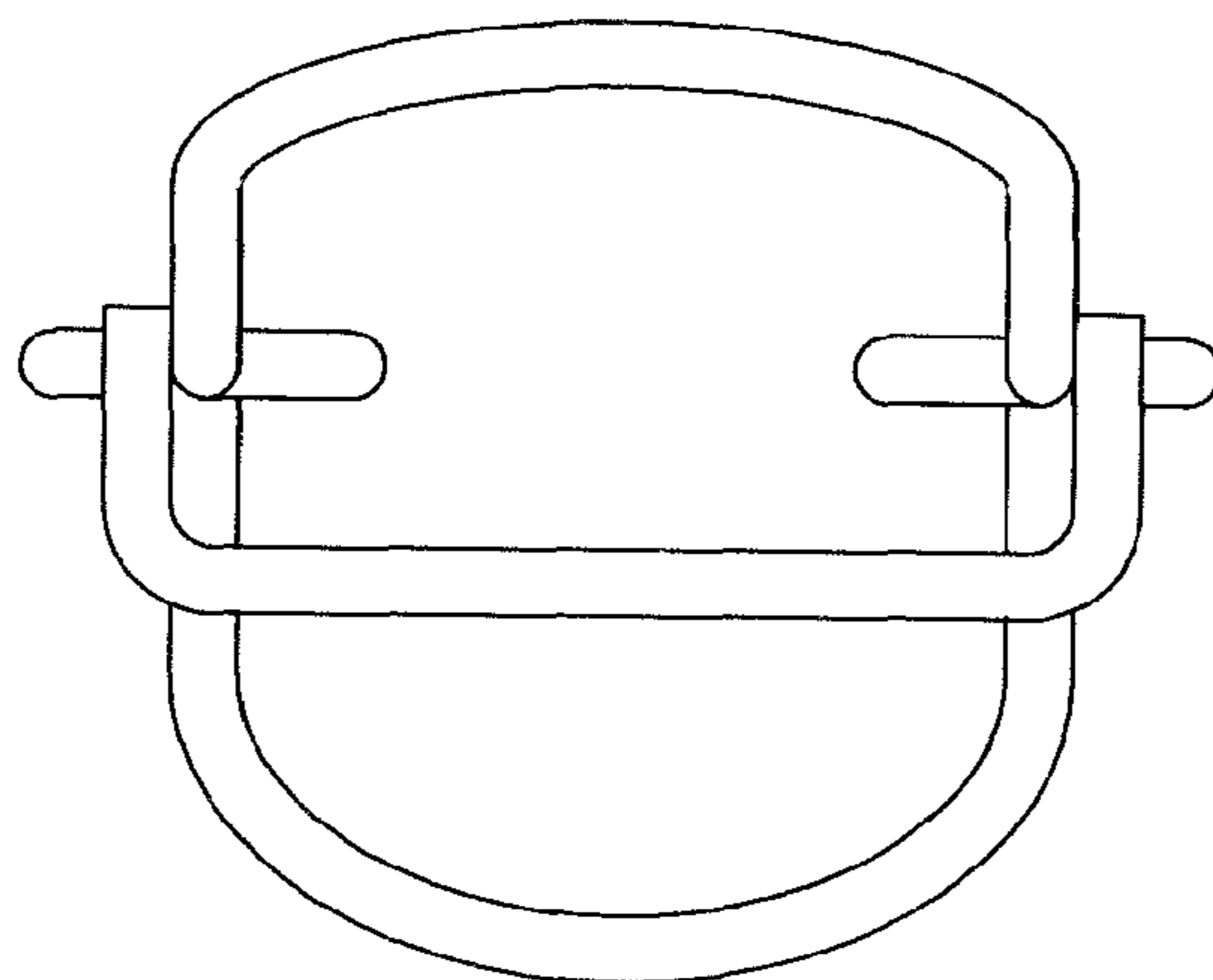


FIG. 6

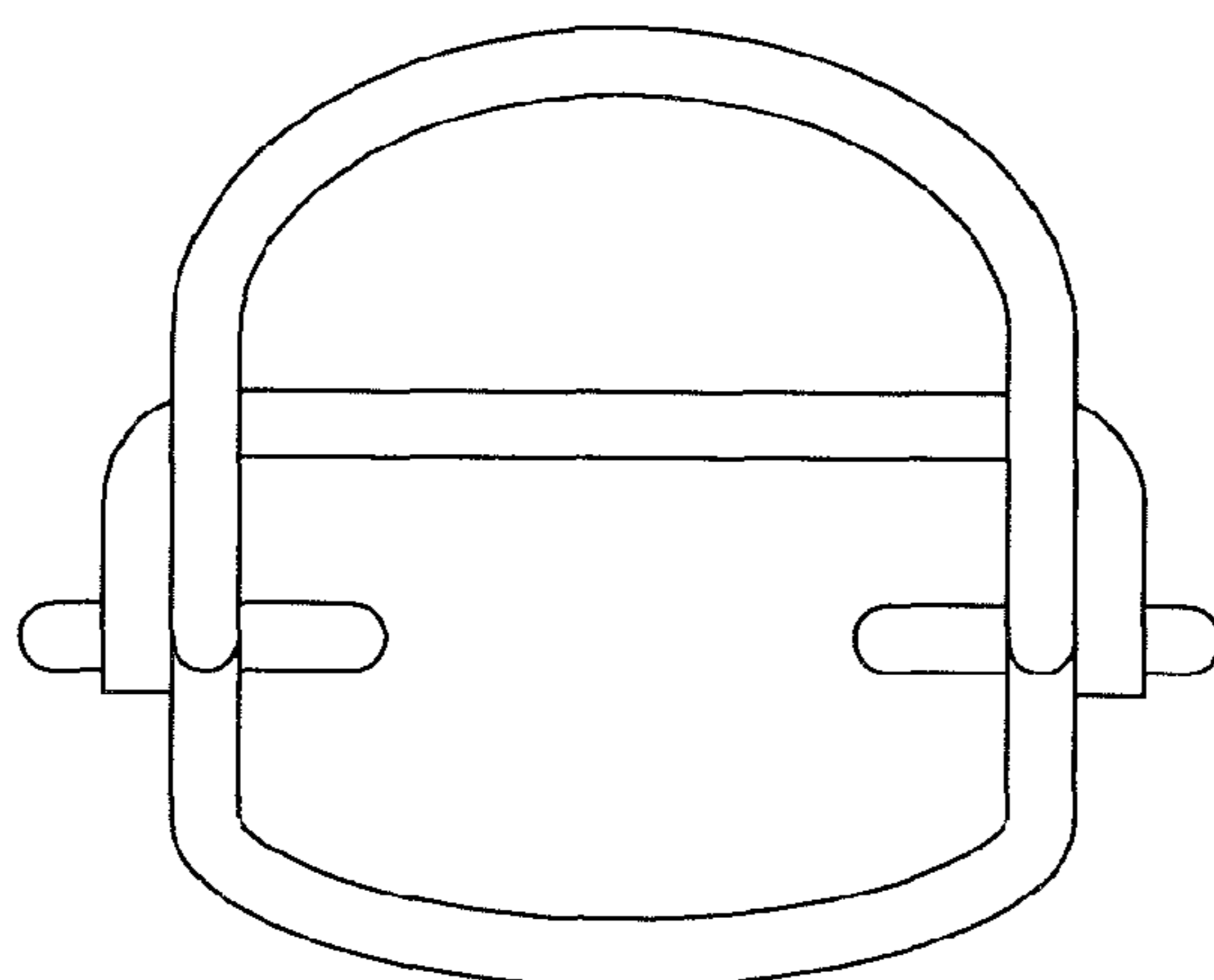


FIG. 7

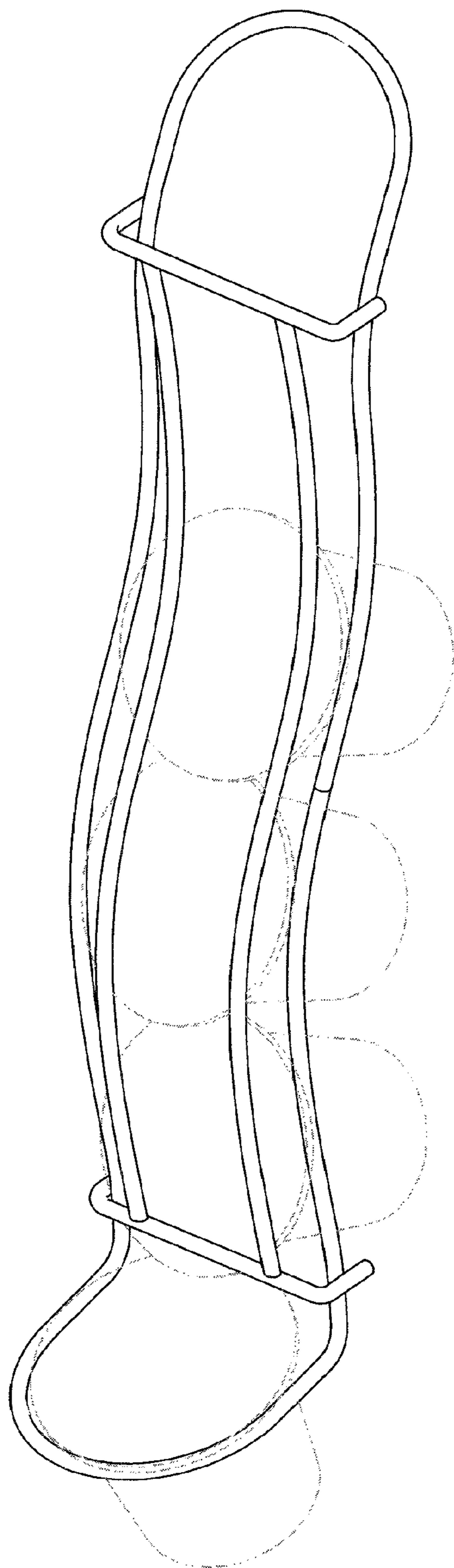


FIG. 8