



US00D657198S

(12) **United States Design Patent**
Bodum

(10) **Patent No.:** **US D657,198 S**

(45) **Date of Patent:** **** Apr. 10, 2012**

(54) **BOWL**

(75) **Inventor:** **Jorgen Bodum**, Meggen (CH)

(73) **Assignee:** **PI-Design AG**, Triengen (CH)

(**) **Term:** **14 Years**

(21) **Appl. No.:** **29/384,280**

(22) **Filed:** **Jan. 28, 2011**

(30) **Foreign Application Priority Data**

Aug. 4, 2010 (WO) DM/074 185

(51) **LOC (9) Cl.** **07-01**

(52) **U.S. Cl.** **D7/560; D7/523; D7/586**

(58) **Field of Classification Search** D7/545,
D7/586, 500, 543, 566, 620, 629, 552.1, 354,
D7/584, 360, 361, 523, 560; 220/751, 23.4,
220/574; D9/432; D30/127

See application file for complete search history.

(56) **References Cited**

U.S. PATENT DOCUMENTS

D50,459 S *	3/1917	Andrews	D7/562
D55,366 S *	6/1920	Churchill	D7/354
D239,999 S *	5/1976	Christain	D7/584
D333,758 S *	3/1993	Lillelund	D7/612
D468,590 S *	1/2003	Jalet et al.	D7/586
D547,661 S *	7/2007	Blasko et al.	D9/529
D548,012 S *	8/2007	Tien	D7/532
D548,017 S *	8/2007	Chiang et al.	D7/629

D562,638 S *	2/2008	Hamberger et al.	D7/560
D596,464 S *	7/2009	Holcomb et al.	D7/587
D601,309 S *	9/2009	Babal	D30/129
D622,090 S *	8/2010	Bodum	D7/317
D634,159 S	3/2011	Bodum		

* cited by examiner

Primary Examiner — Cynthia Underwood

(74) *Attorney, Agent, or Firm* — Sughrue Mion, PLLC

(57) **CLAIM**

The ornamental design for a bowl, as shown and described.

DESCRIPTION

FIG. 1 is a perspective view of a first embodiment of the bowl showing my new design;

FIG. 2 is a front side elevation view thereof;

FIG. 3 is a back side elevation view thereof;

FIG. 4 is a right side elevation view thereof;

FIG. 5 is a left side elevation view thereof;

FIG. 6 is a top view thereof;

FIG. 7 is a bottom view thereof;

FIG. 8 is a perspective view of a second embodiment of the bowl showing my new design;

FIG. 9 is a front side elevation view thereof;

FIG. 10 is a back side elevation view thereof;

FIG. 11 is a right side elevation view thereof;

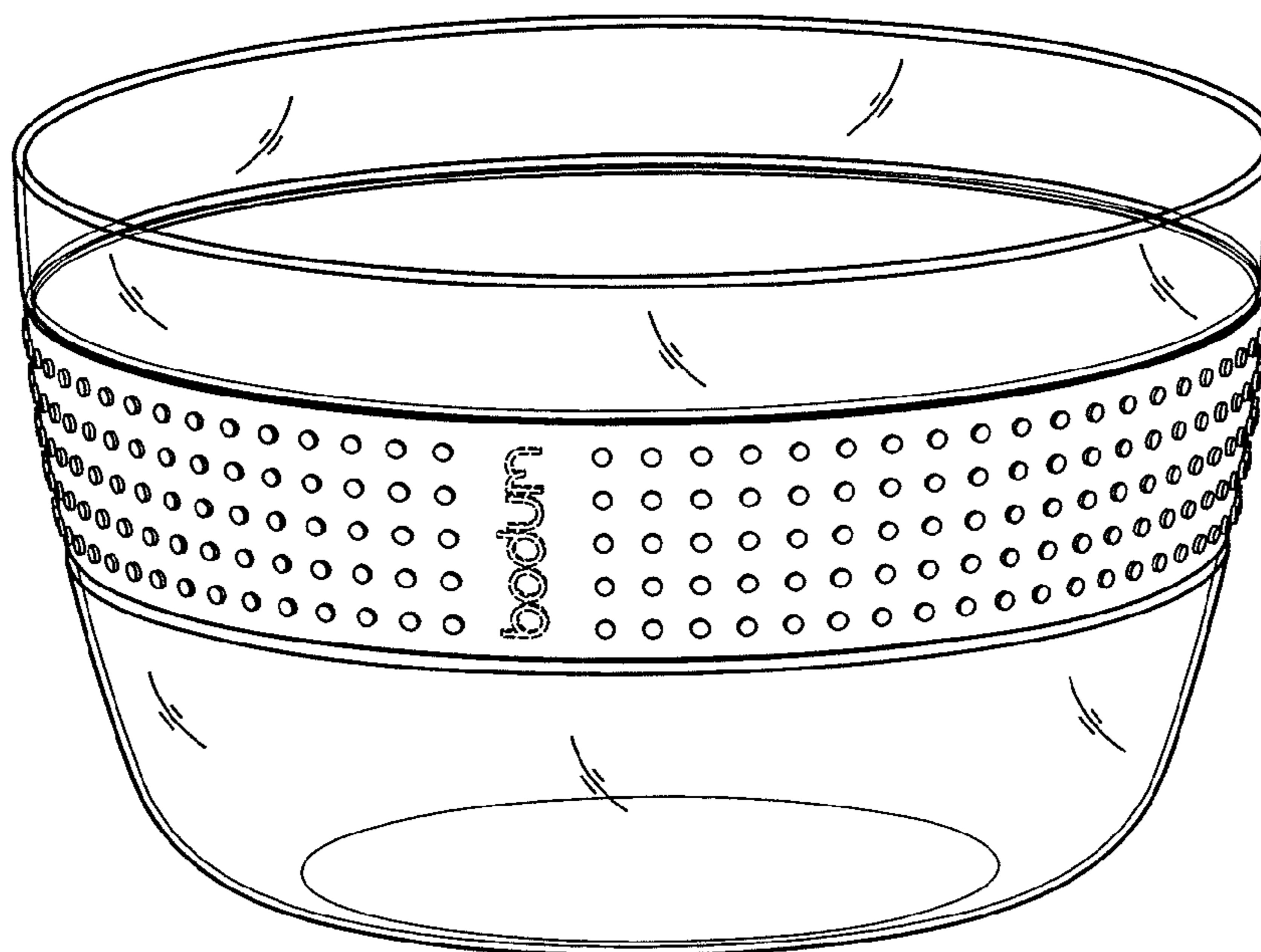
FIG. 12 is a left side elevation view thereof;

FIG. 13 is a top view thereof; and,

FIG. 14 is a bottom view thereof.

The broken lines depict environmental subject matter only and form no part of the claimed design.

1 Claim, 14 Drawing Sheets



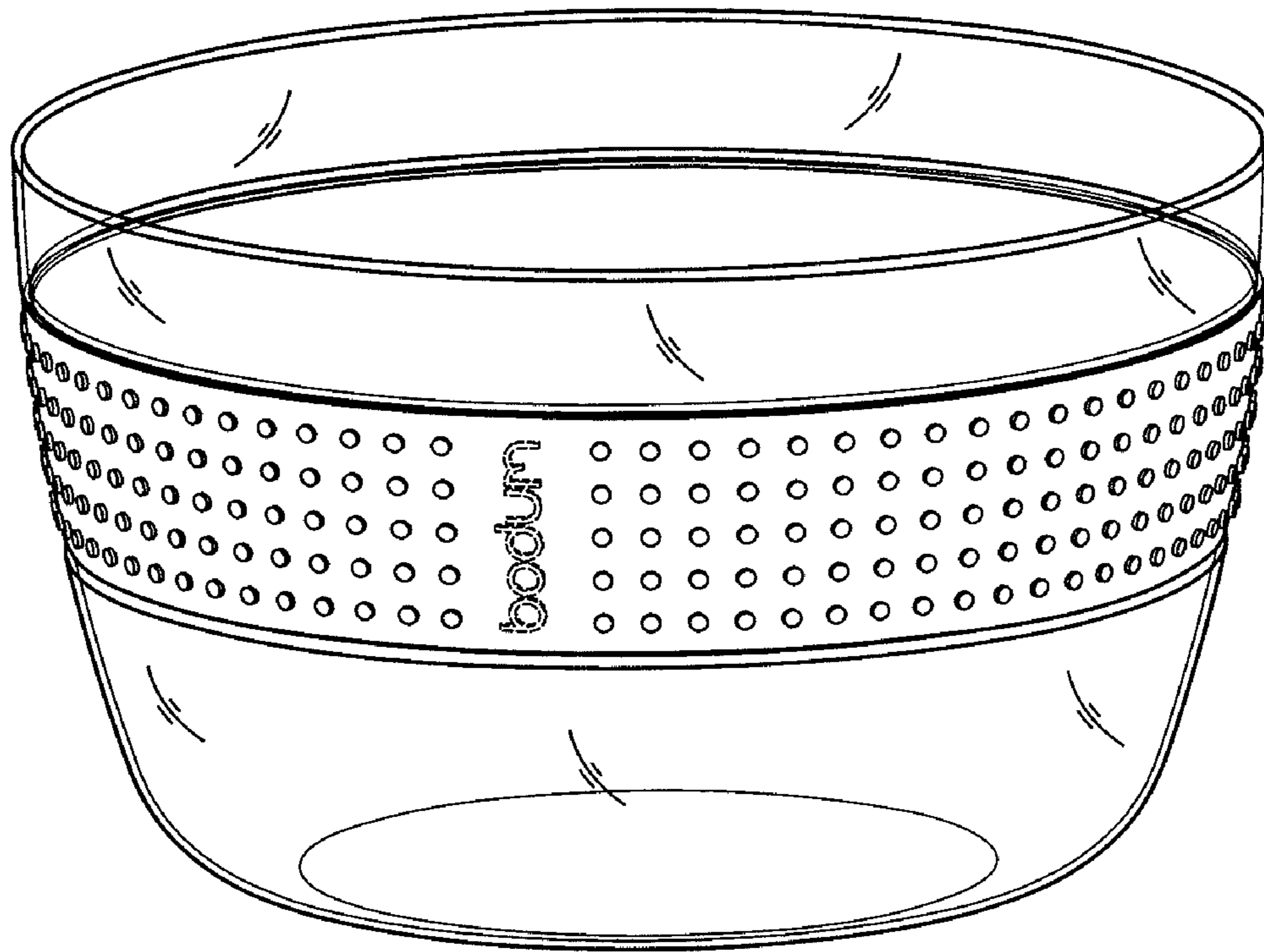


FIGURE 1

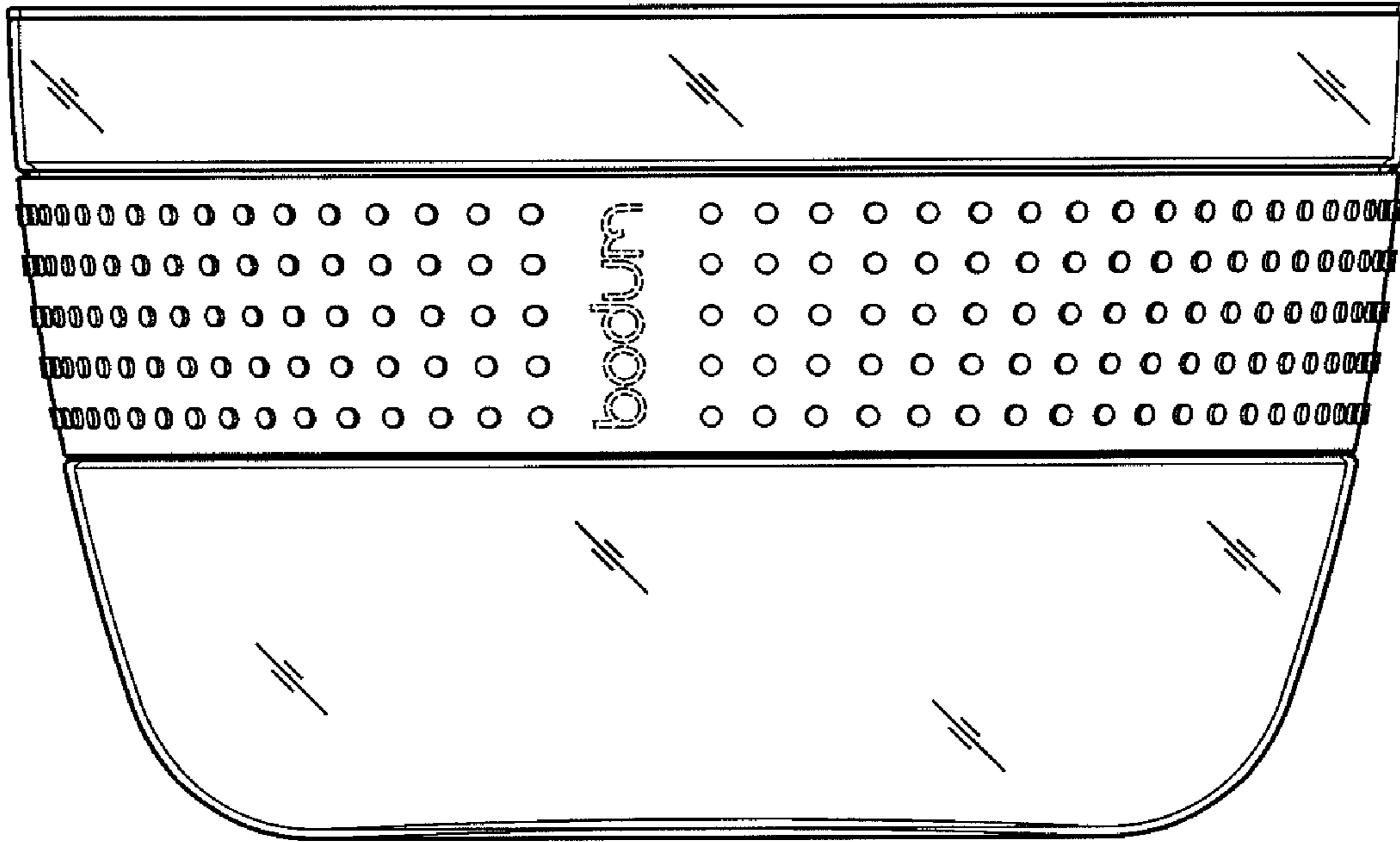


FIGURE 2

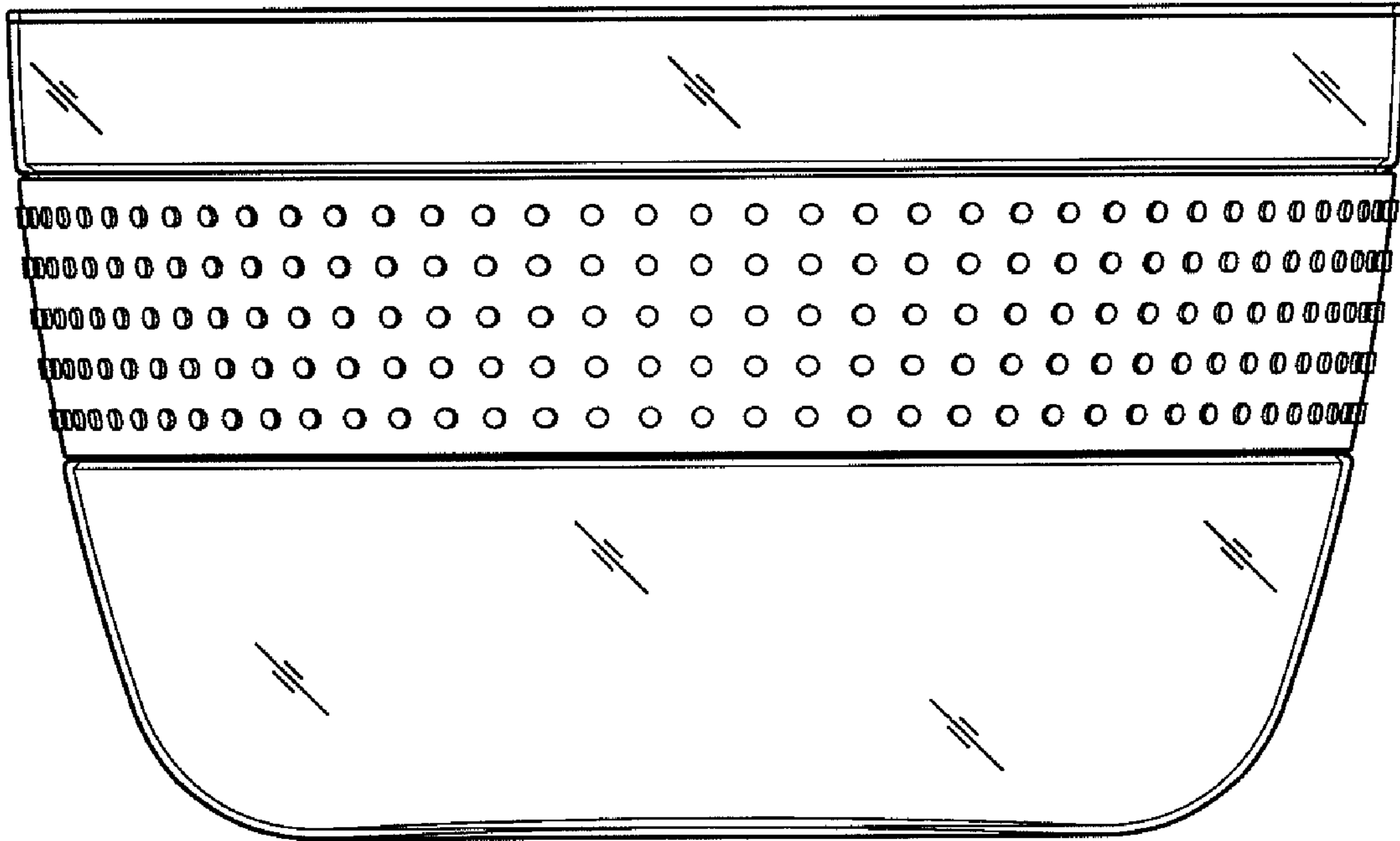


FIGURE 3

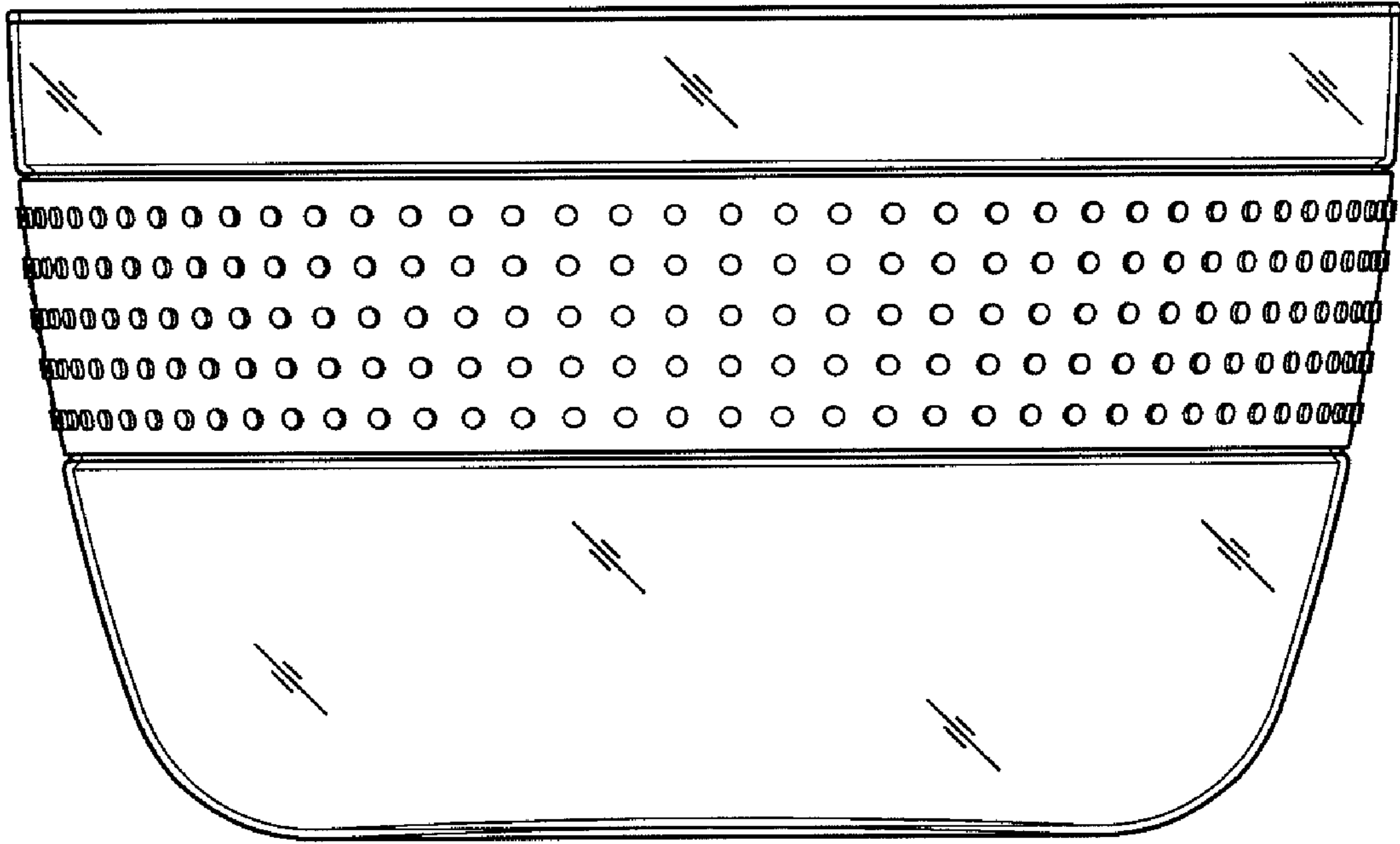


FIGURE 4

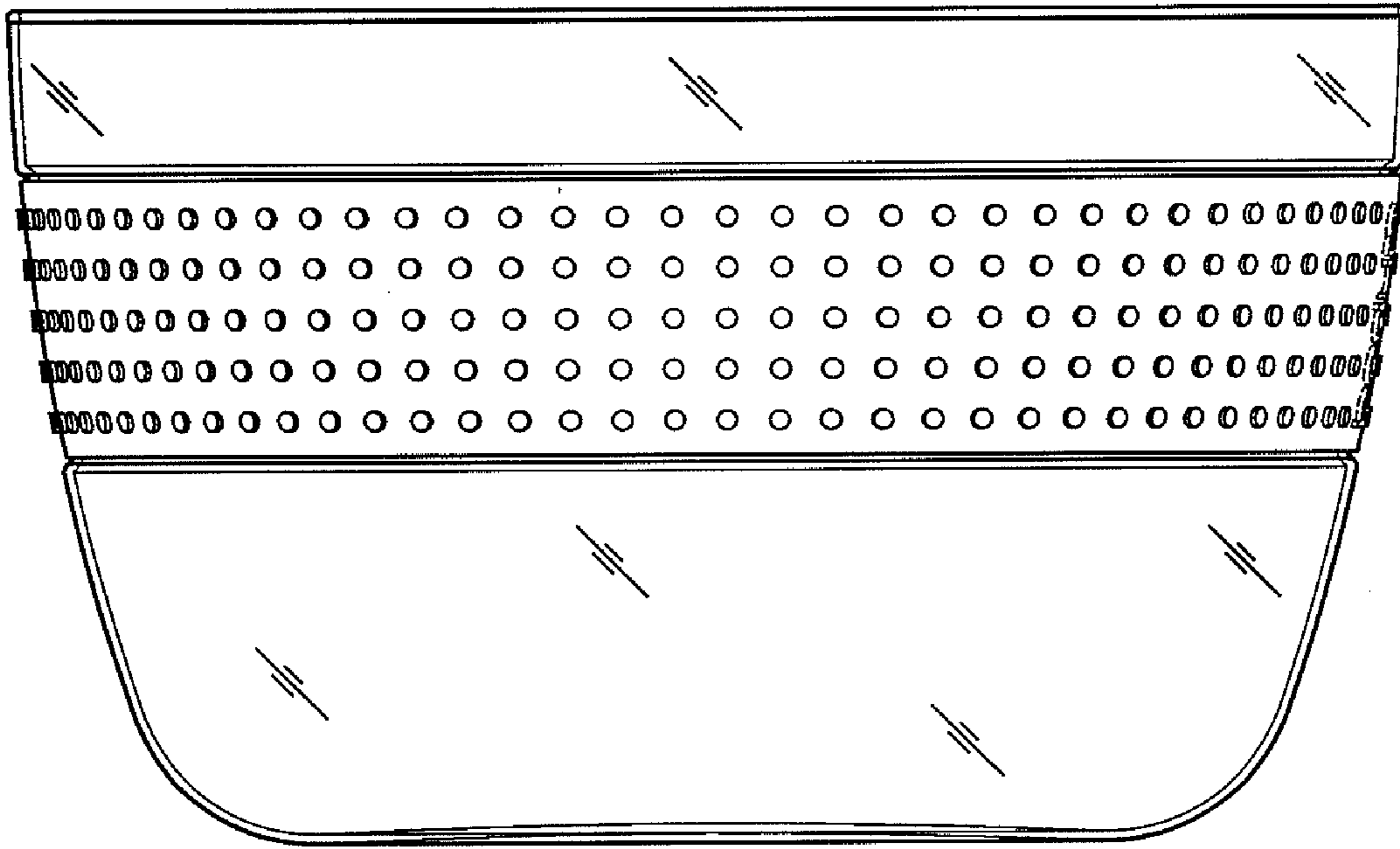


FIGURE 5

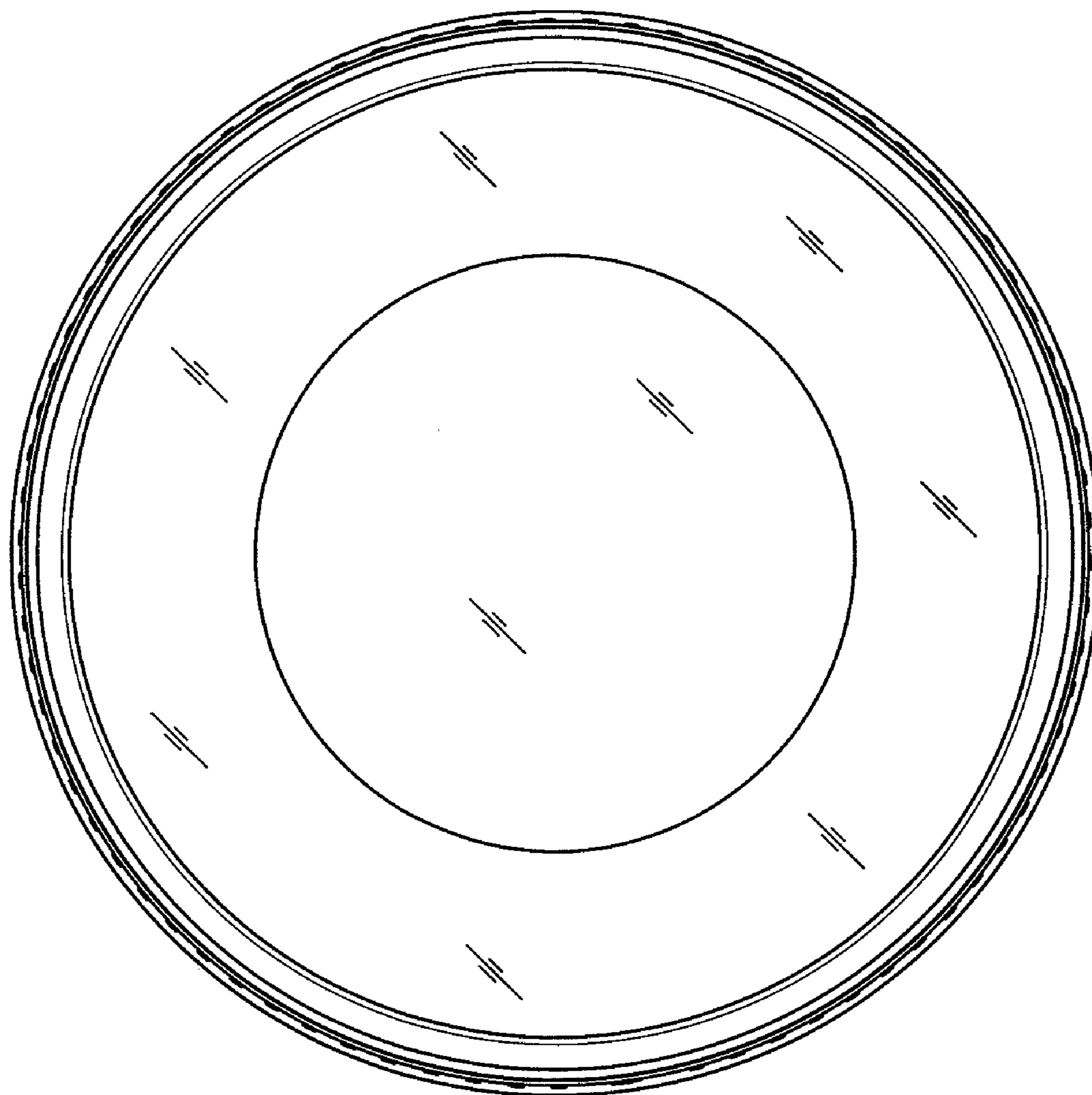


FIGURE 6

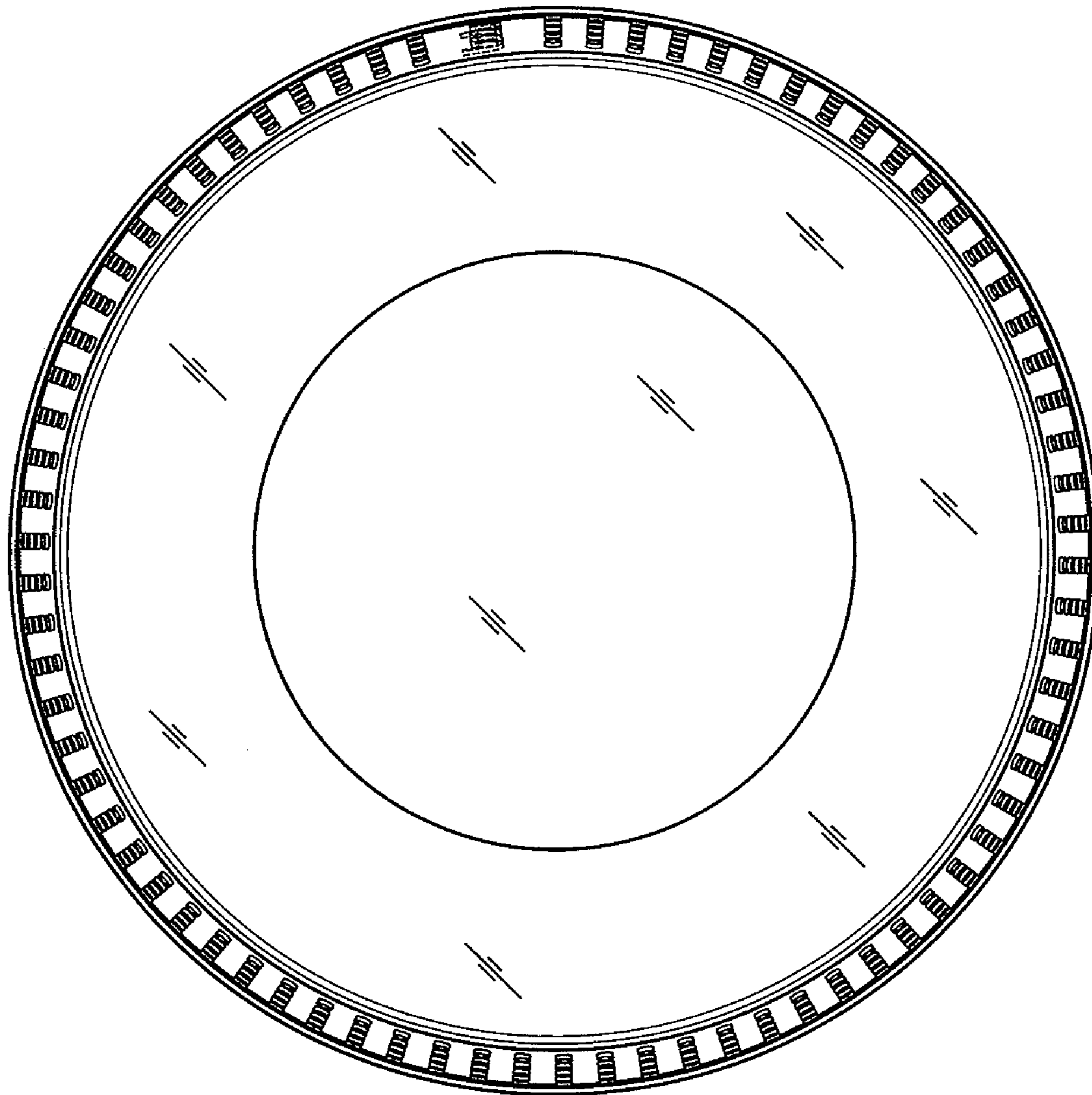


FIGURE 7

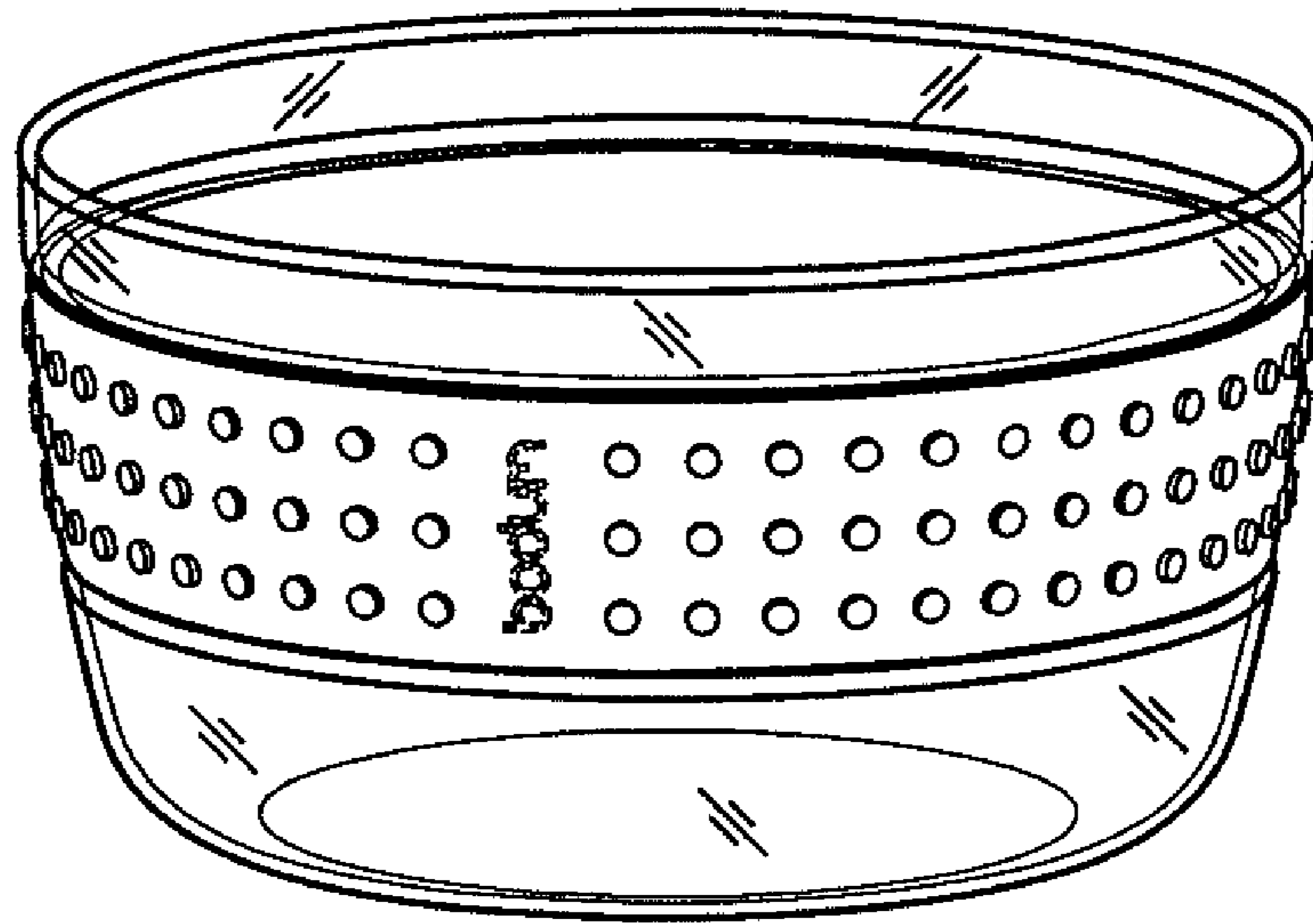


FIGURE 8

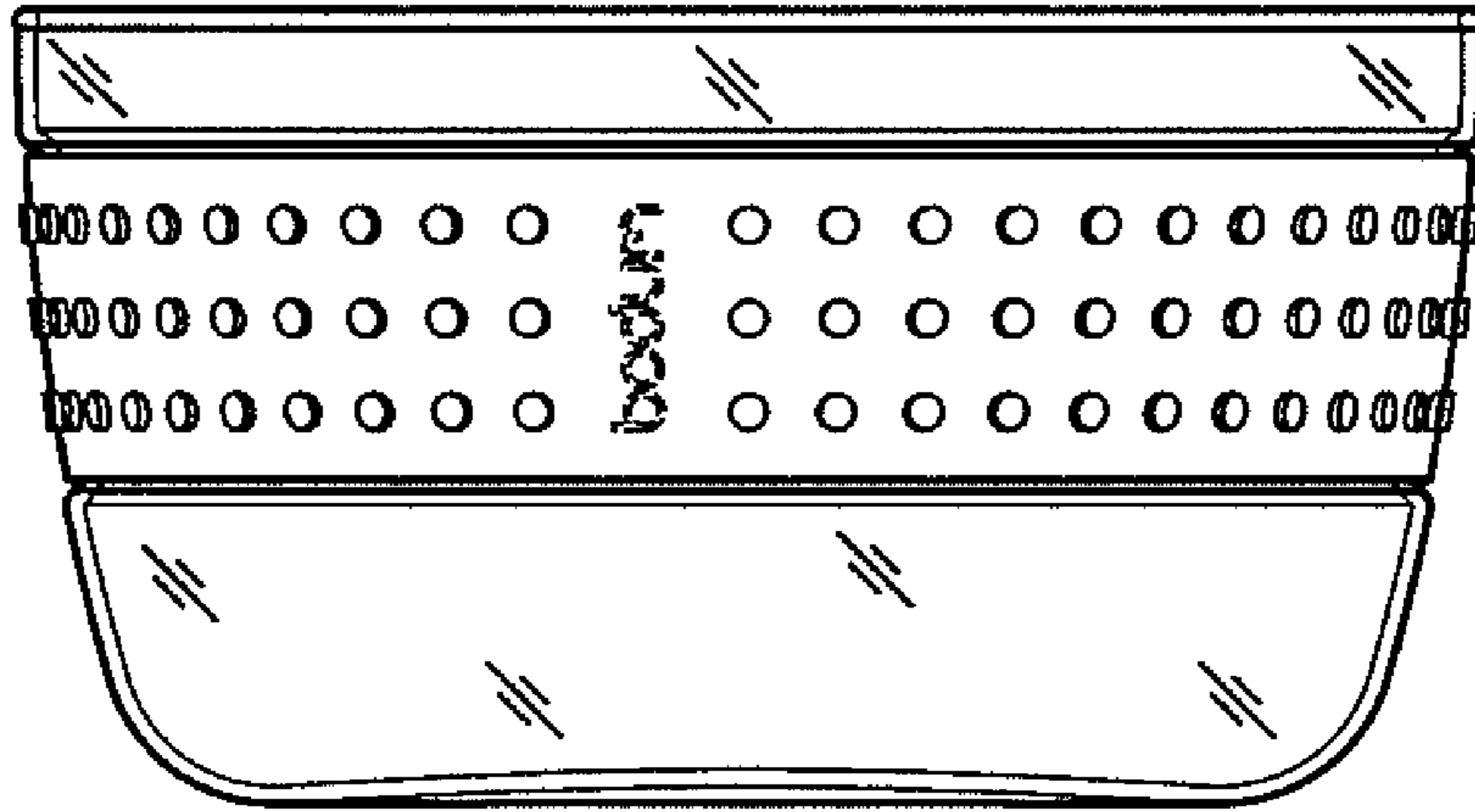


FIGURE 9

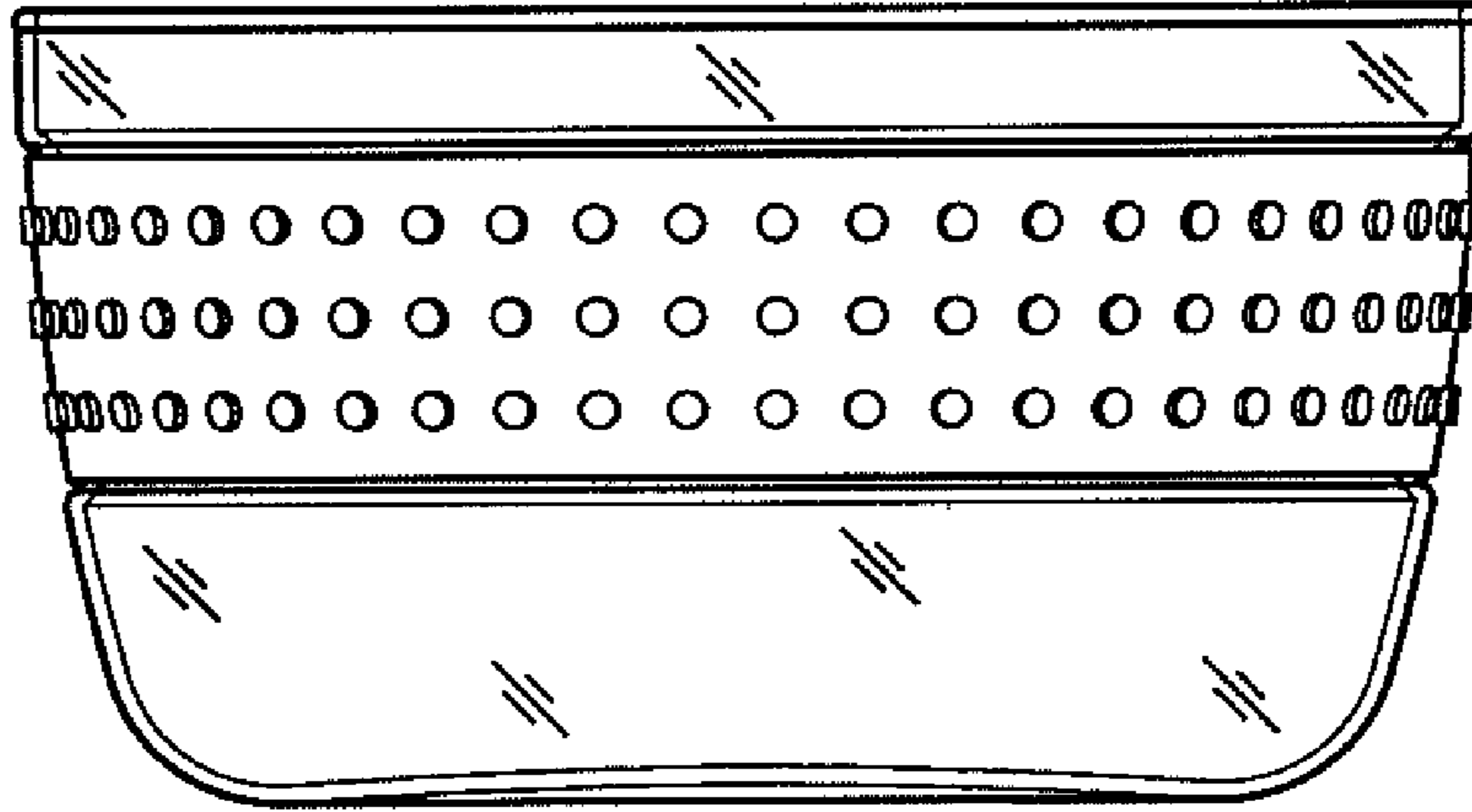


FIGURE 10

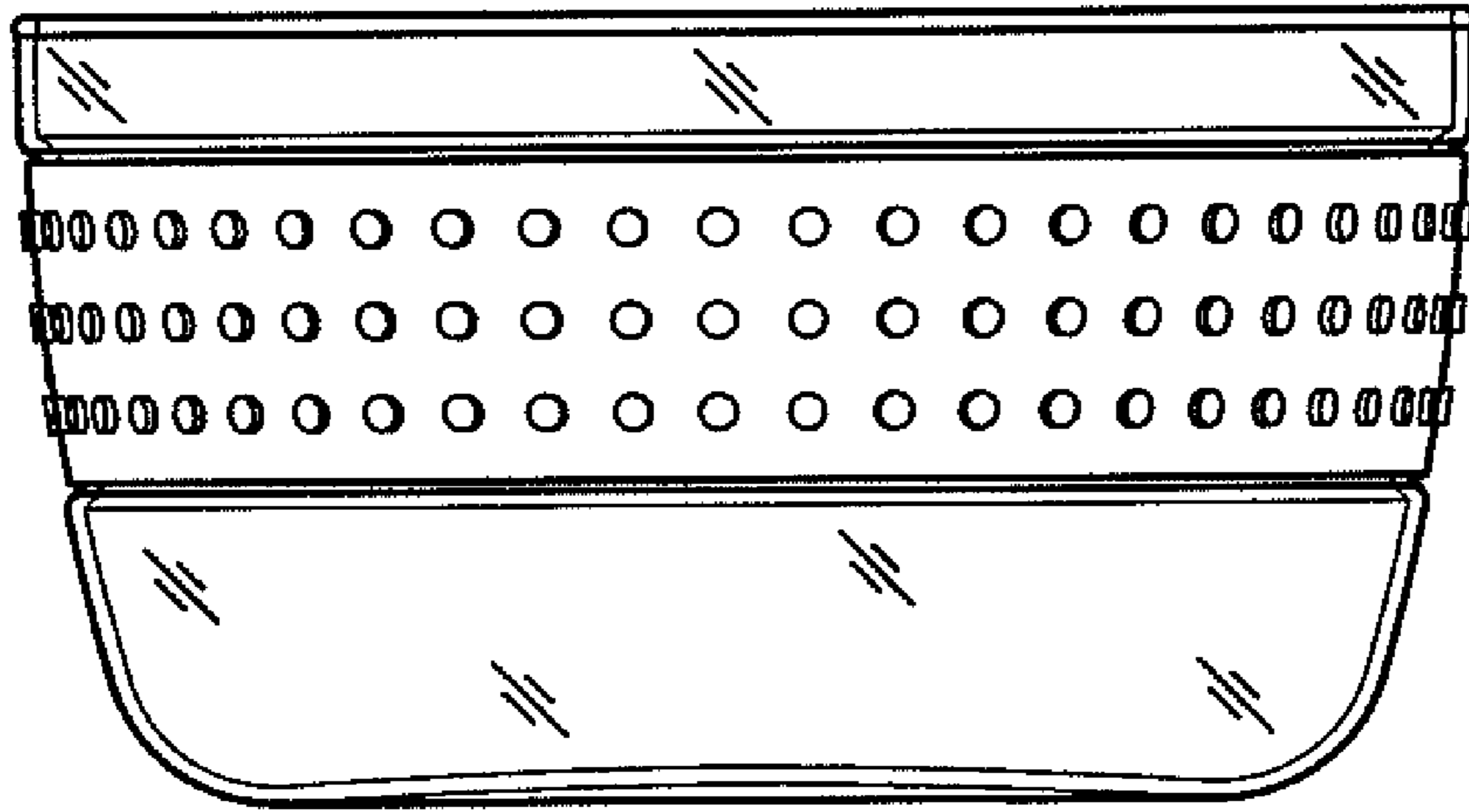


FIGURE 11

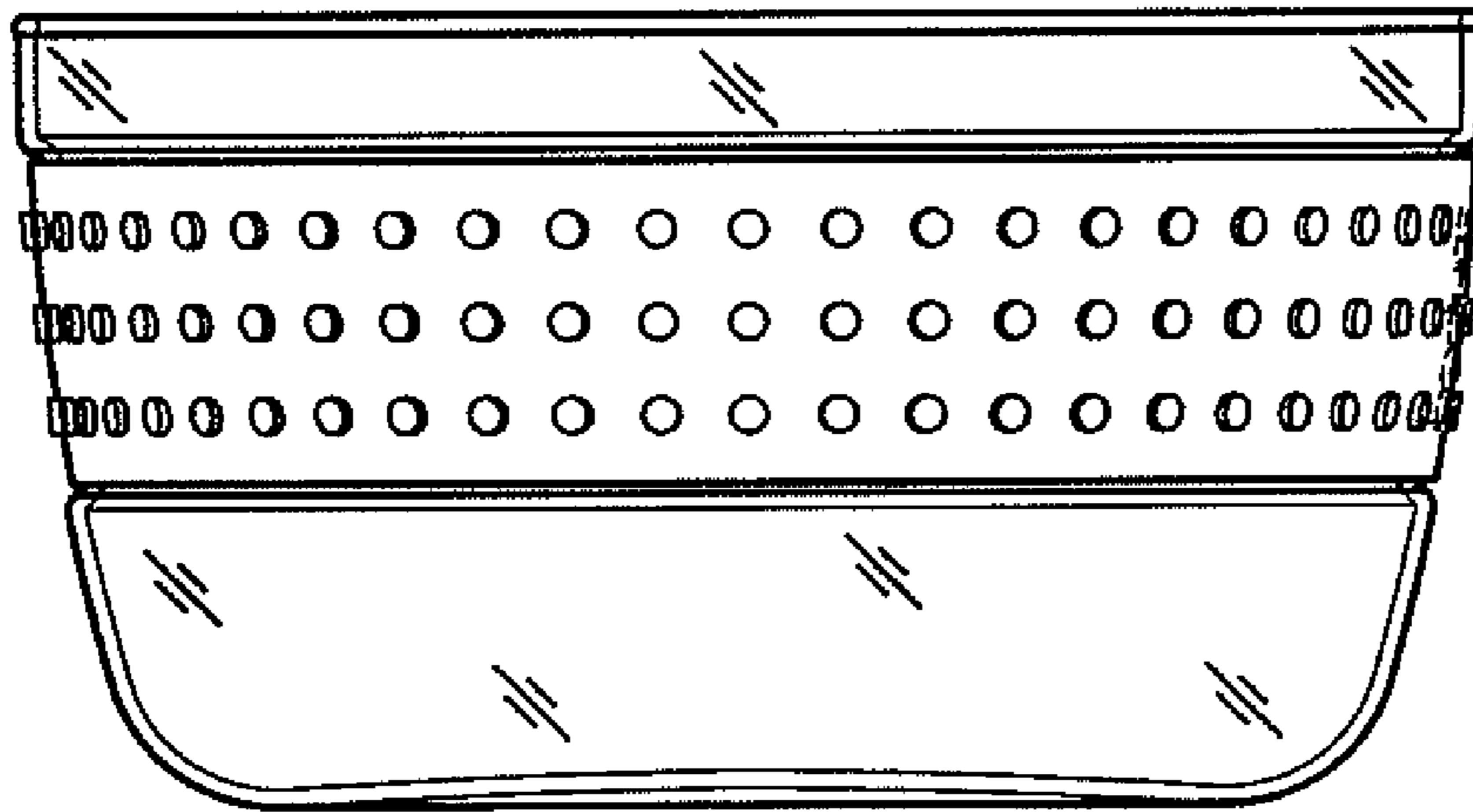


FIGURE 12

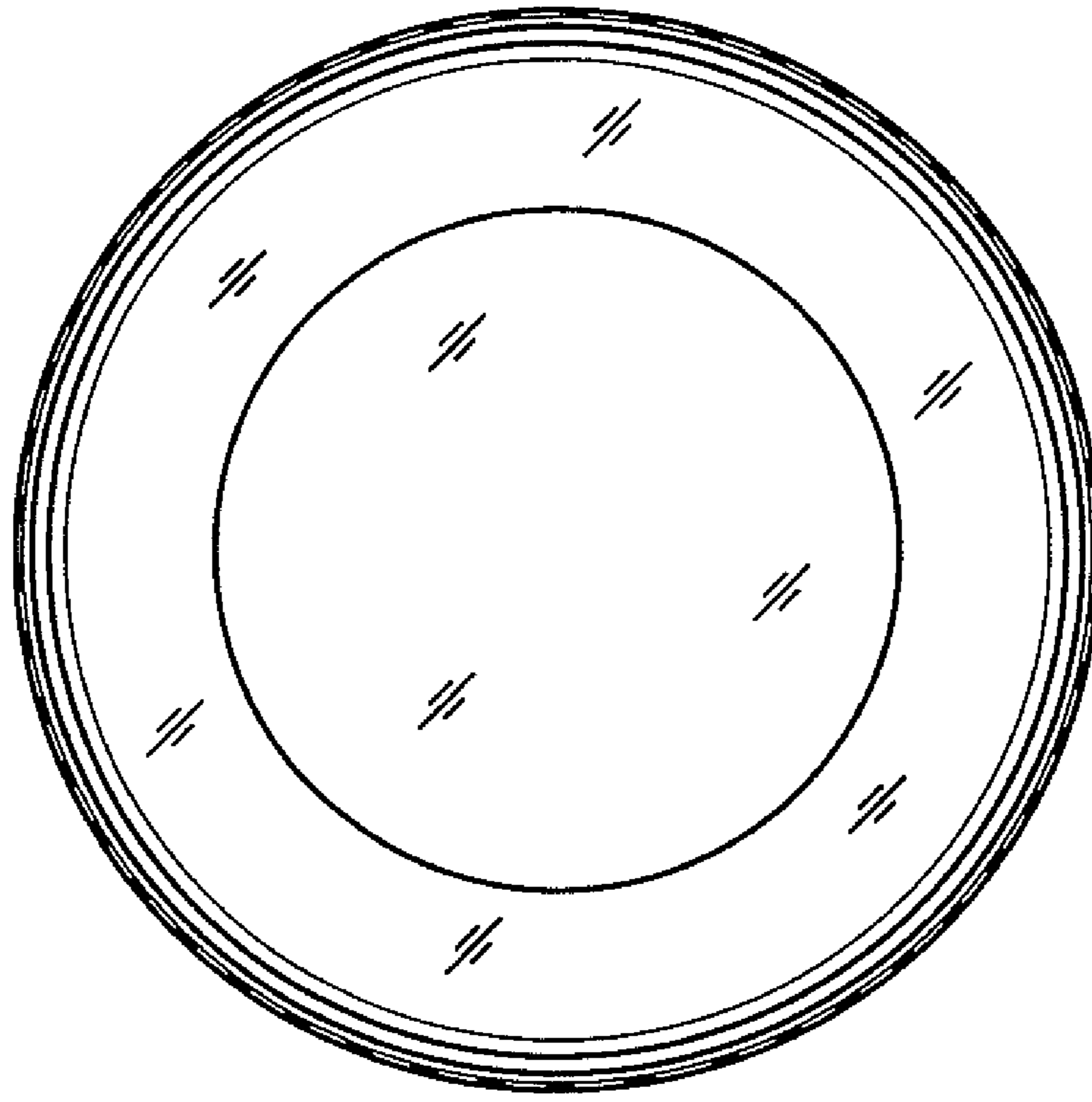


FIGURE 13

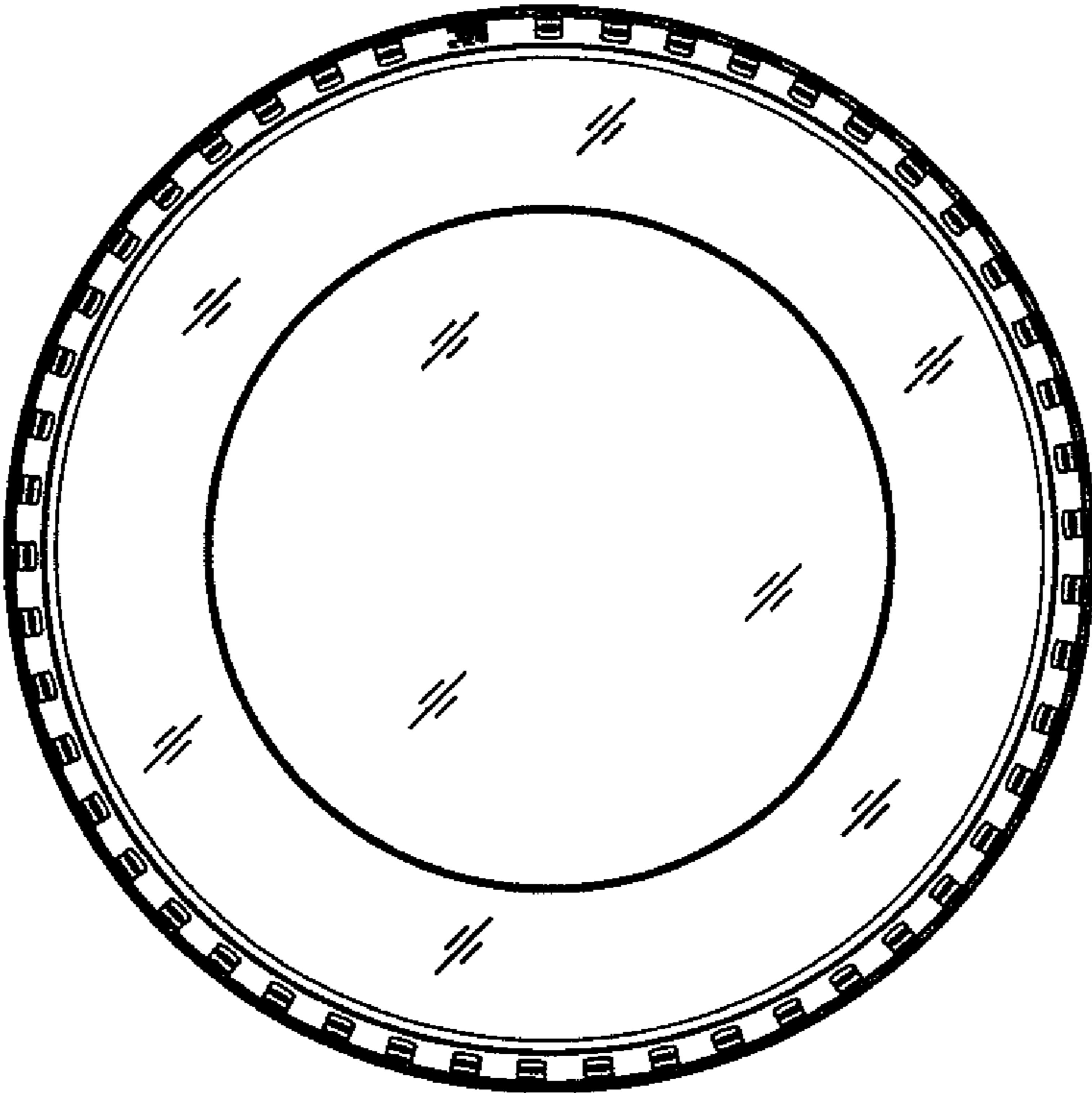


FIGURE 14