



US00D657197S

(12) **United States Design Patent**
McCleary

(10) **Patent No.:** **US D657,197 S**

(45) **Date of Patent:** **** Apr. 10, 2012**

(54) **GRADUATION SHOT GLASS**

(76) Inventor: **Anna Dee McCleary**, Plano, TX (US)

(**) Term: **14 Years**

(21) Appl. No.: **29/378,652**

(22) Filed: **Nov. 8, 2010**

(51) **LOC (9) Cl.** **07-01**

(52) **U.S. Cl.** **D7/515; D7/523**

(58) **Field of Classification Search** 2/171.01;
D7/507, 515, 625, 523; D2/865

See application file for complete search history.

(56) **References Cited**

U.S. PATENT DOCUMENTS

D92,312 S *	5/1934	Kanter	D7/507
D168,784 S *	2/1953	Del Mas	D7/514
2,987,731 A *	6/1961	Mills et al.	2/171.01
3,134,107 A *	5/1964	Kelly	2/171.01
D258,188 S *	2/1981	Wilson	D7/507
5,010,461 A *	4/1991	Saotome	362/101
D369,114 S *	4/1996	Davidov	D10/46.2
D384,859 S *	10/1997	Cundieff	D7/523
D395,379 S *	6/1998	Goodman	D7/513
D480,269 S *	10/2003	Currier	D7/515
D507,720 S *	7/2005	Fabrizio	D7/509
D543,785 S *	6/2007	Huff	D7/523
D561,534 S *	2/2008	Marks	D7/523

D566,467 S *	4/2008	Starck	D7/505
D580,228 S *	11/2008	Hayden	D7/513
D644,064 S *	8/2011	Dubois	D7/507

* cited by examiner

Primary Examiner — Marianne Pandozzi

(74) *Attorney, Agent, or Firm* — Dale J. Ream

(57) **CLAIM**

The ornamental design for a graduation shot glass, as shown and described.

DESCRIPTION

FIG. 1 is a perspective view of a graduation shot glass showing my new design;

FIG. 2 is a front view thereof;

FIG. 3 is a right side view thereof;

FIG. 4 is a left side view thereof;

FIG. 5 is a rear view thereof;

FIG. 6 is a bottom plan view thereof;

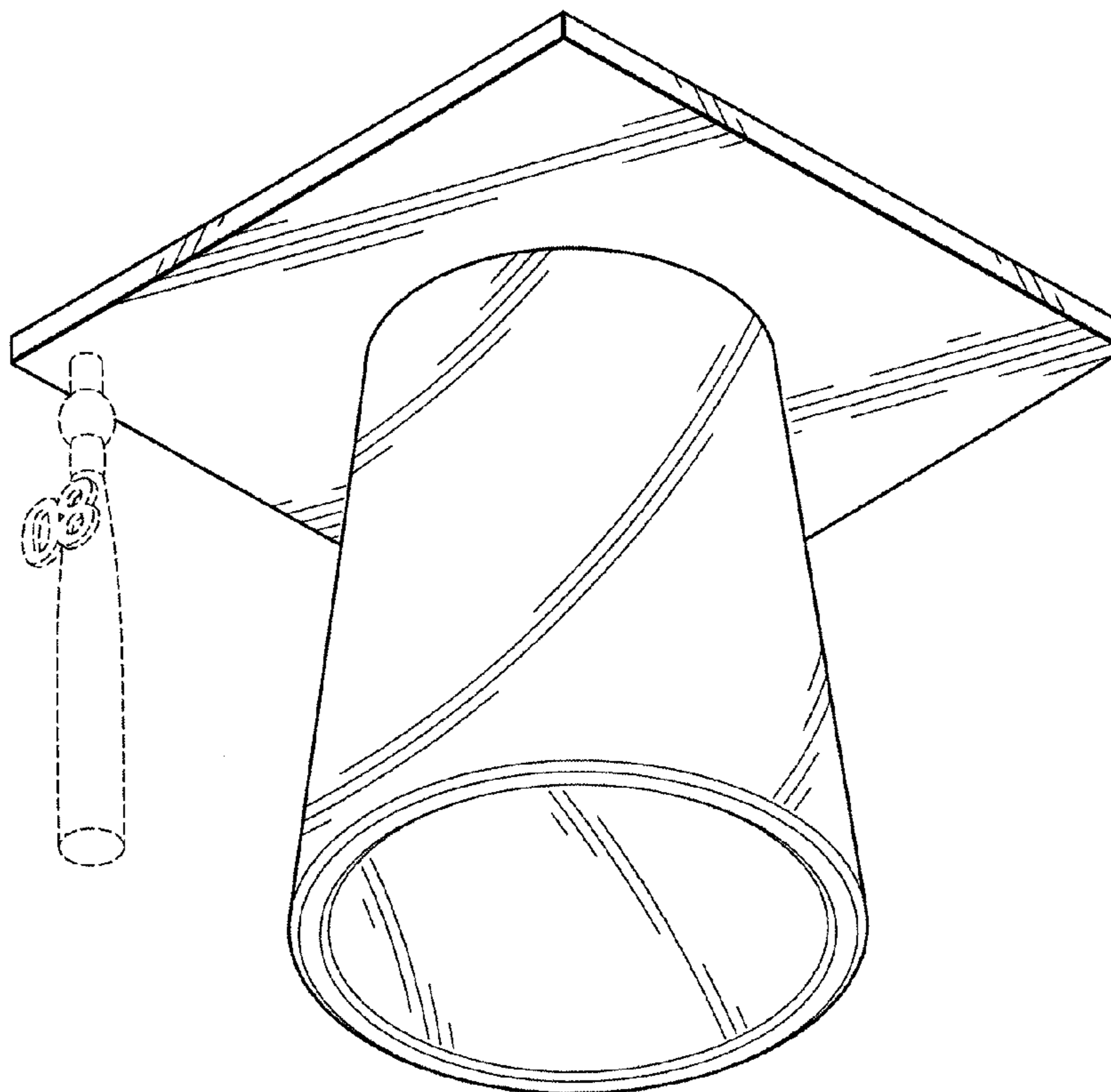
FIG. 7 is a top plan view thereof;

FIG. 8 is a perspective view showing a second embodiment of the graduation shot glass; and,

FIG. 9 is a perspective view showing a third embodiment of the graduation shot glass of my new design.

The broken lines in the drawings are for illustrative purposes only and form no part of the claimed design.

1 Claim, 5 Drawing Sheets



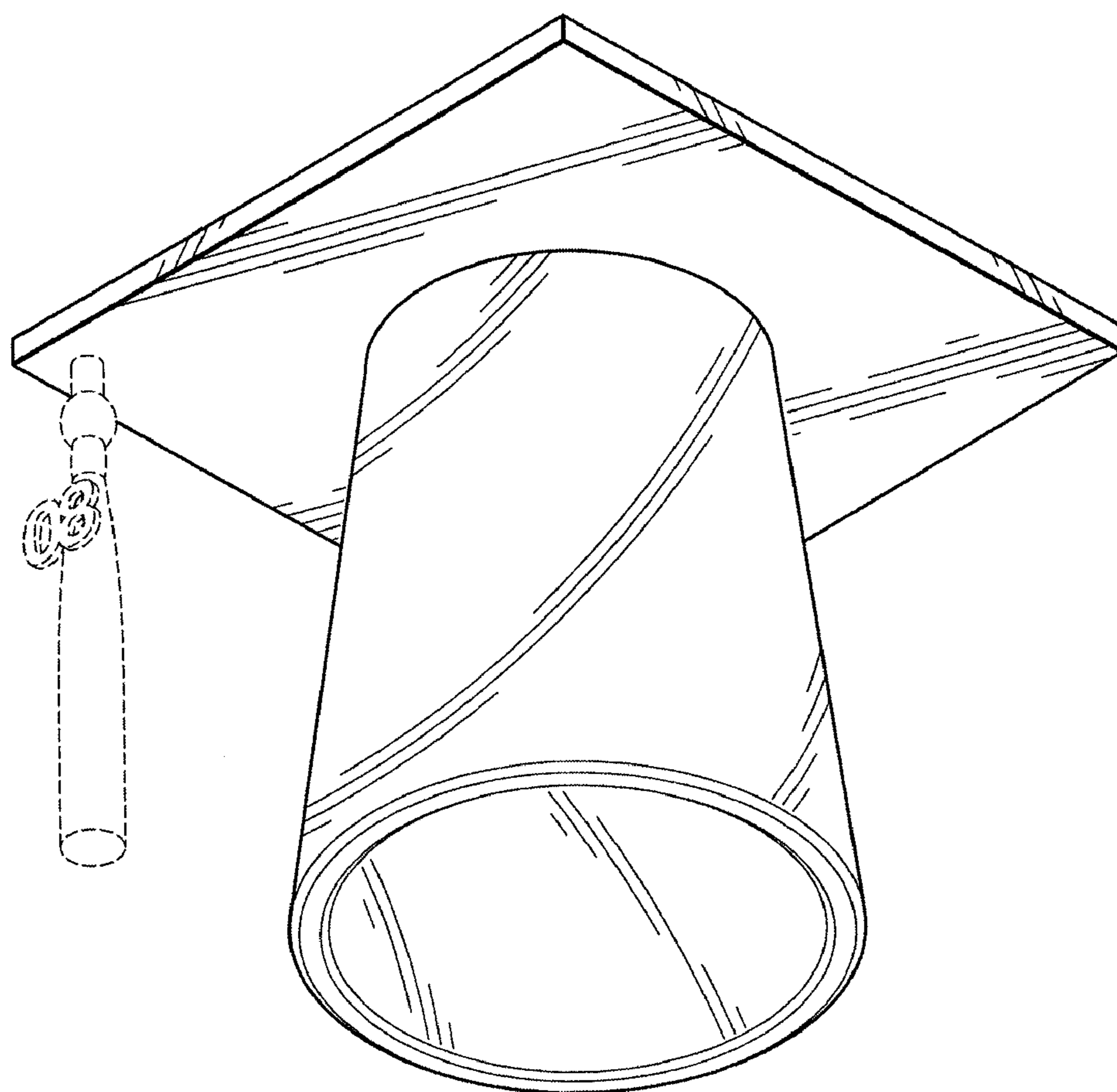


FIG. 1

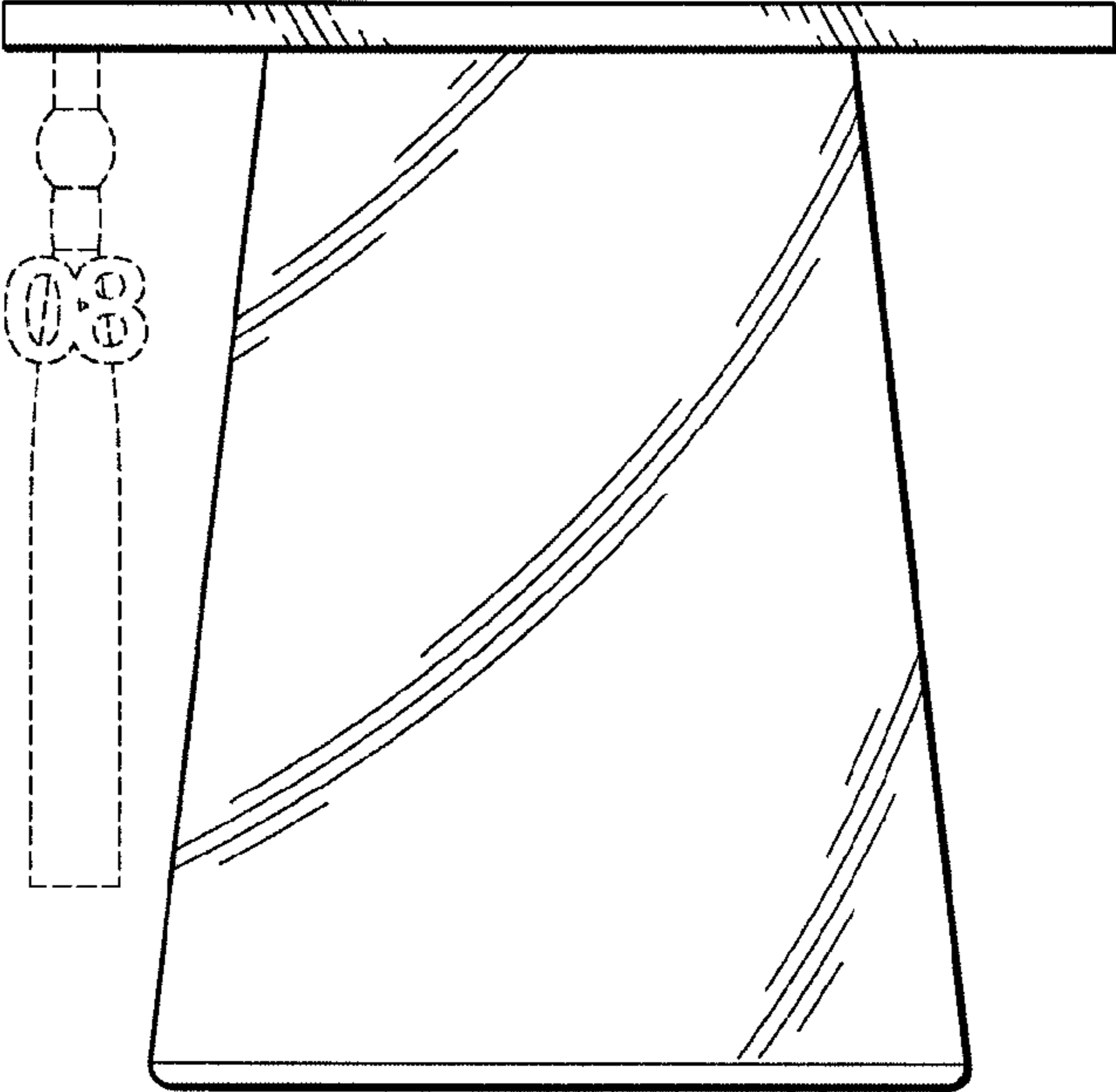


FIG. 2

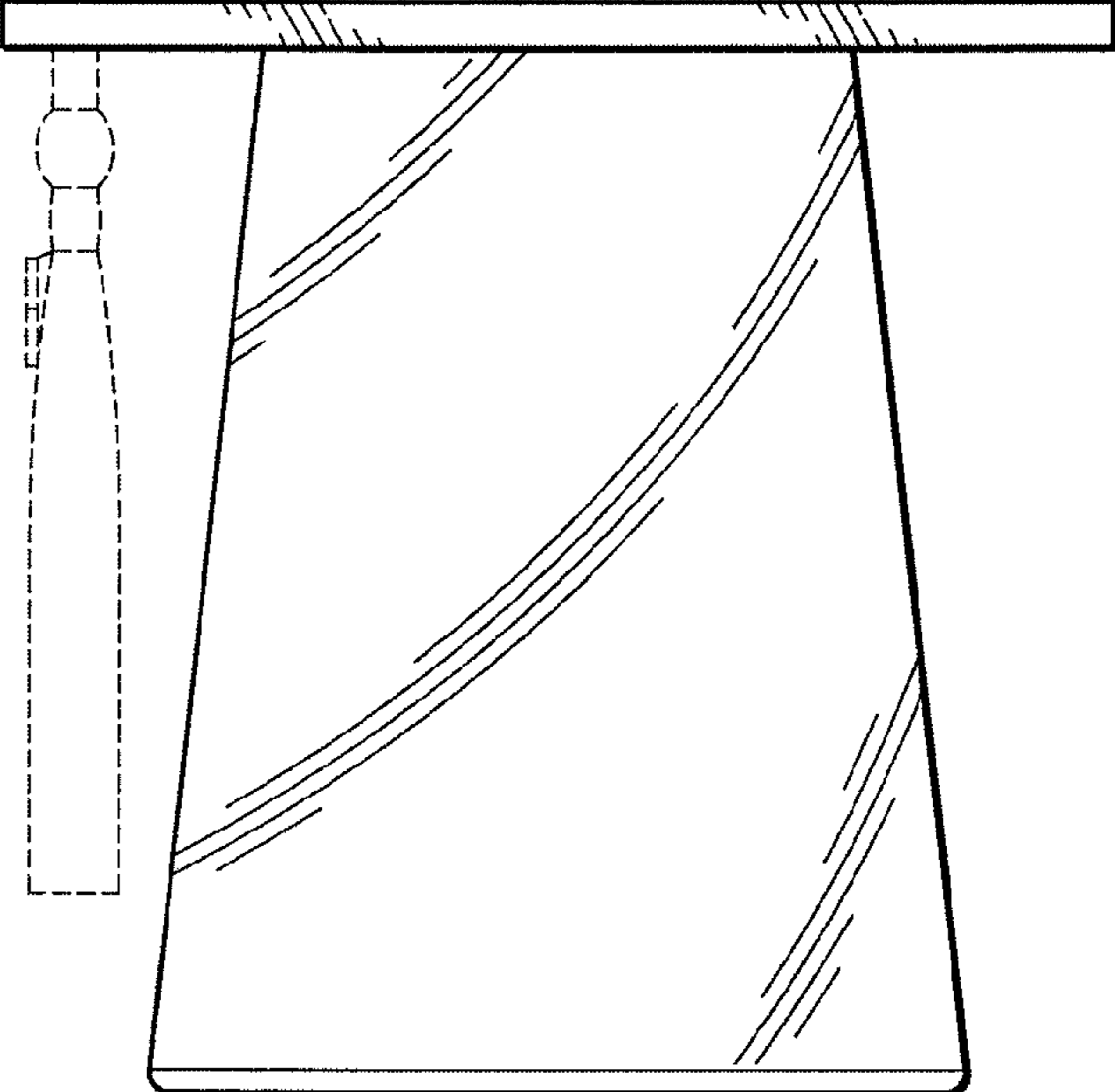


FIG. 3

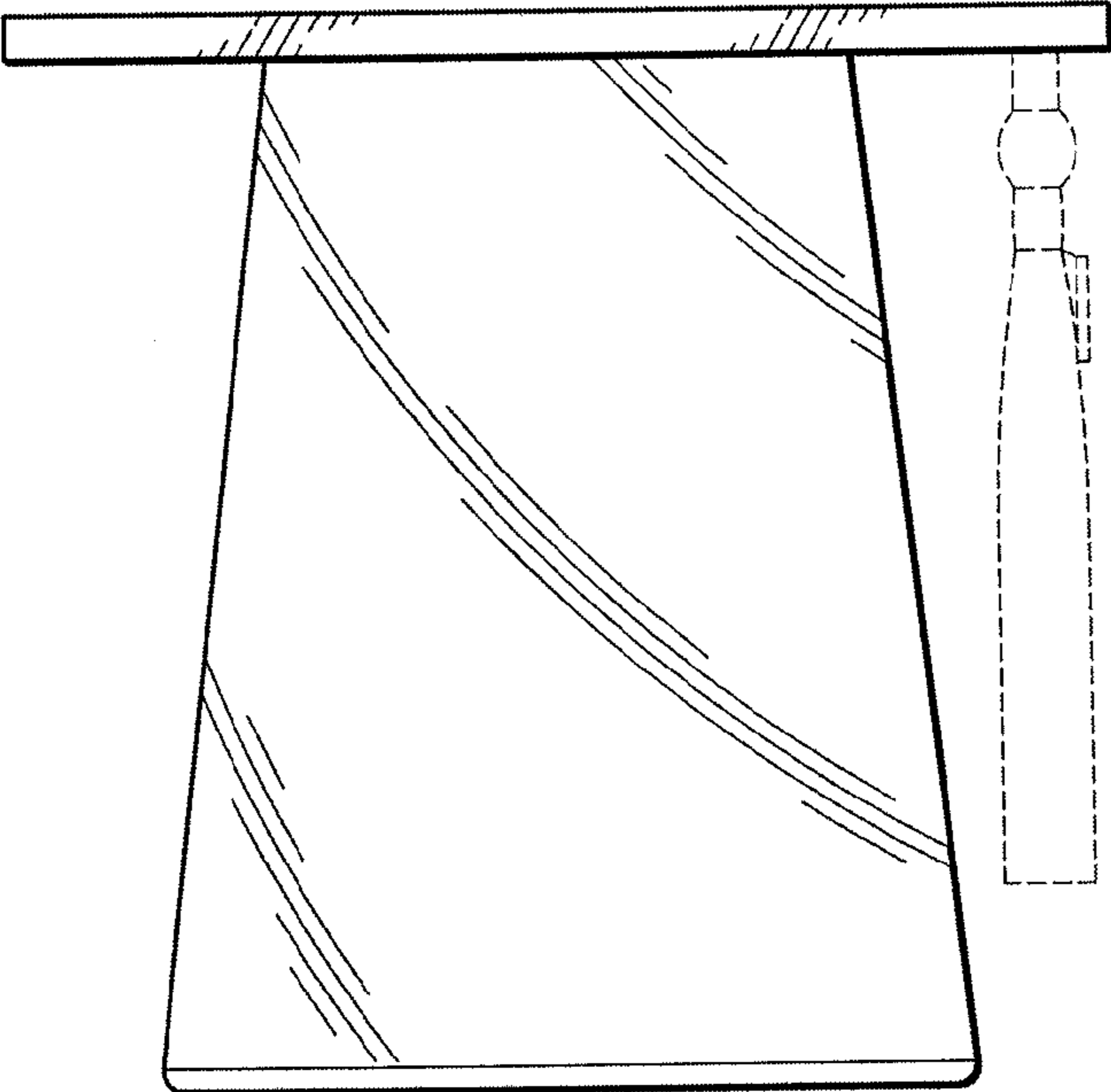


FIG. 4

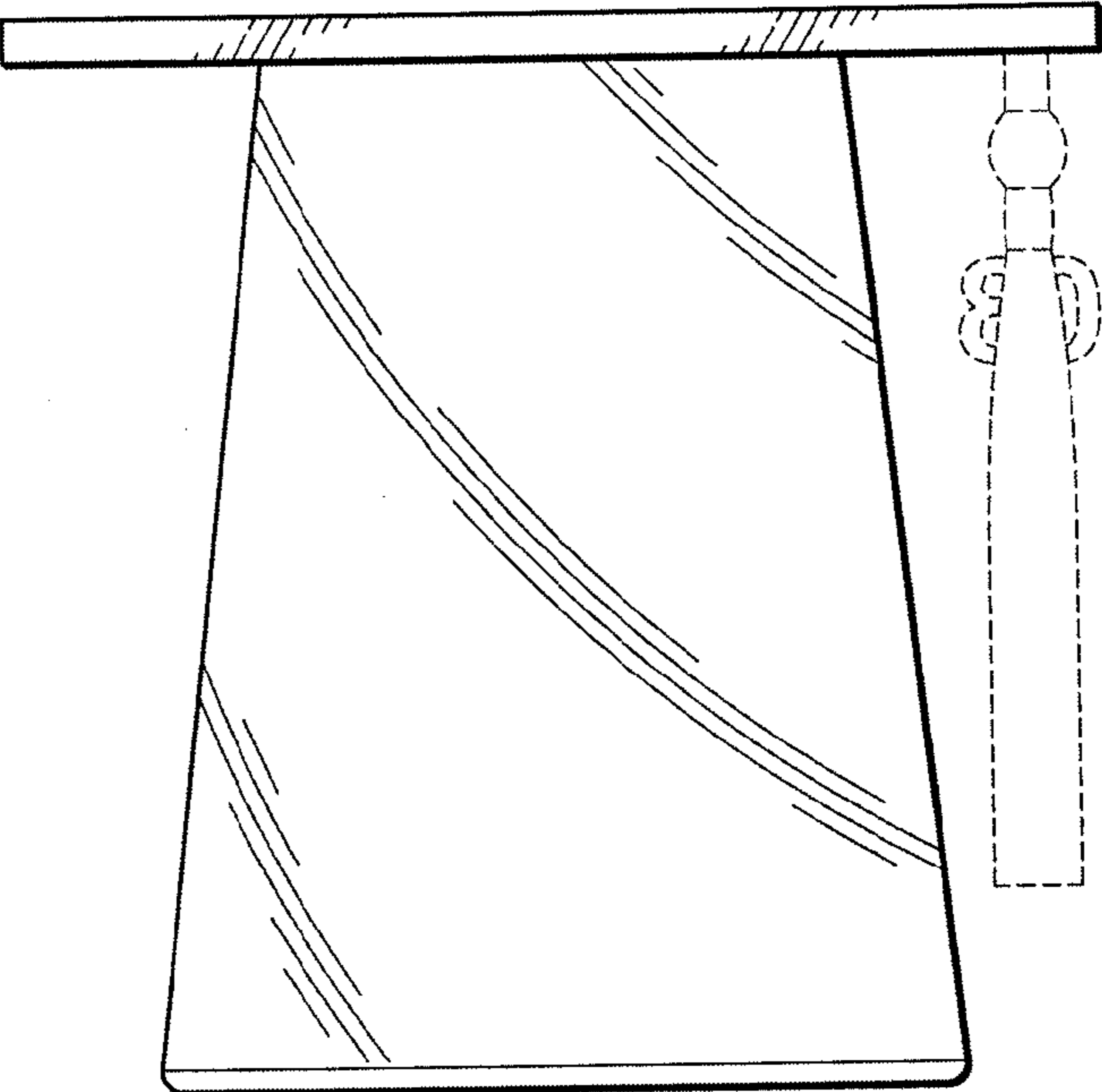


FIG. 5

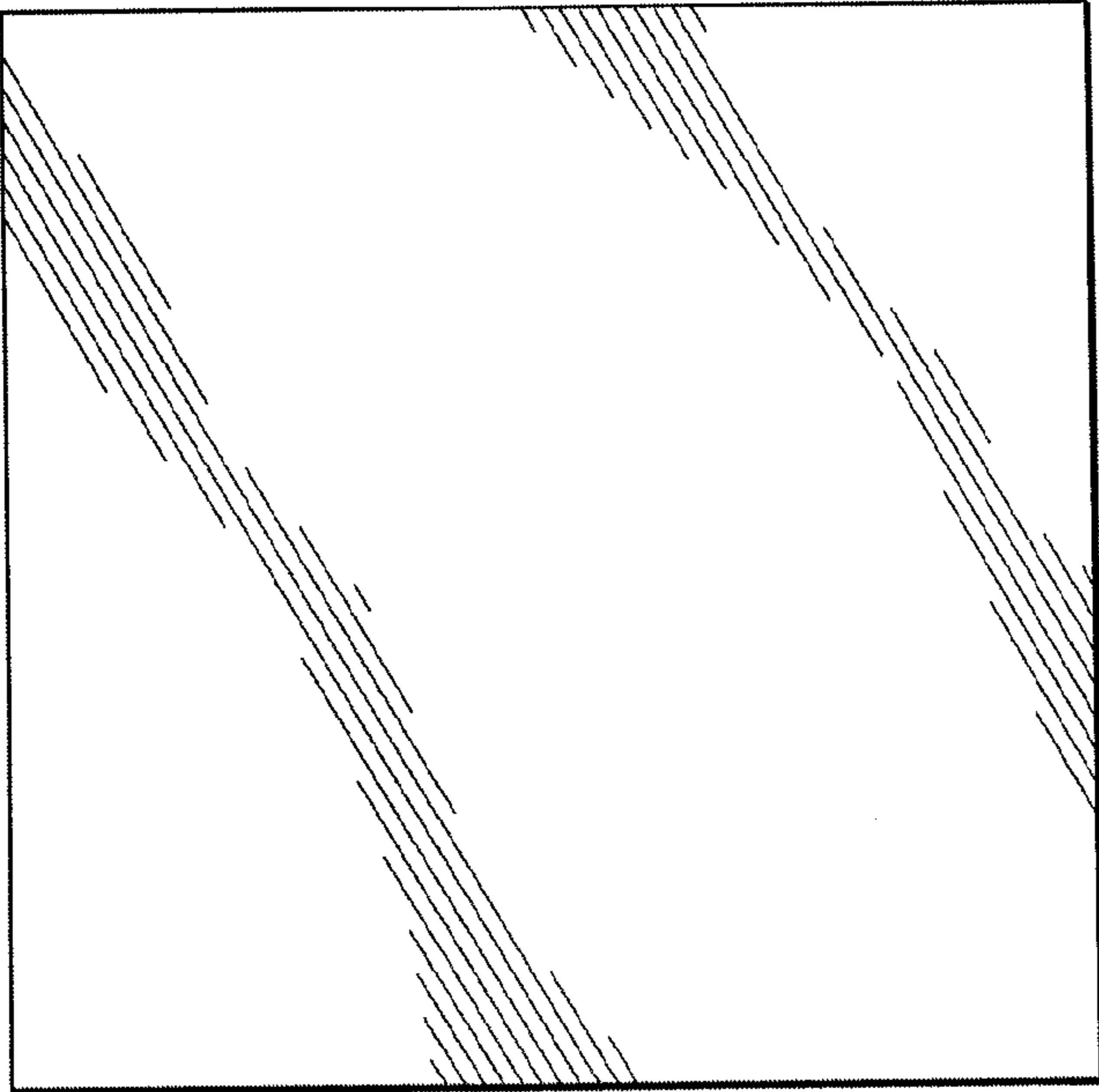


FIG. 6

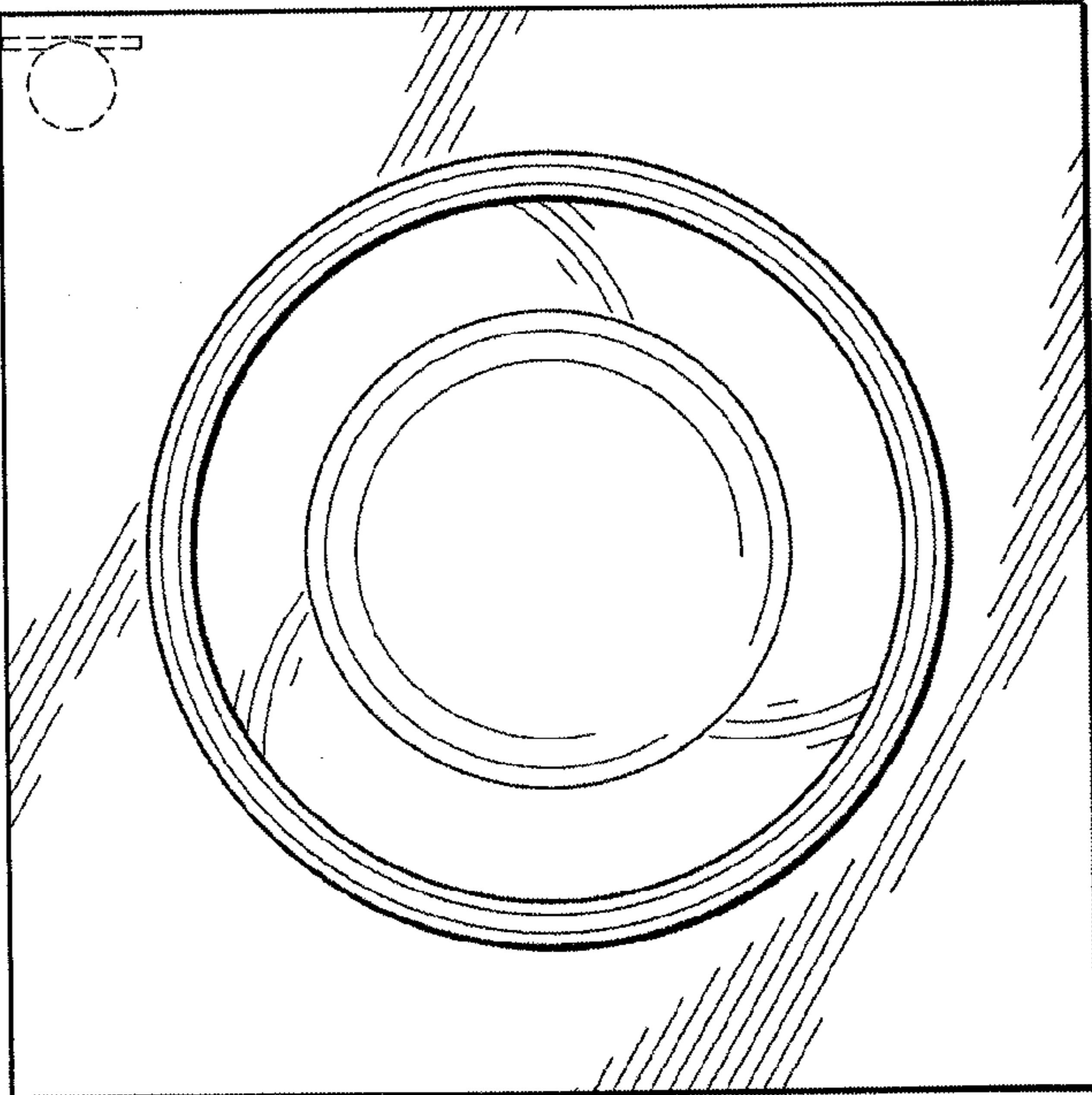


FIG. 7

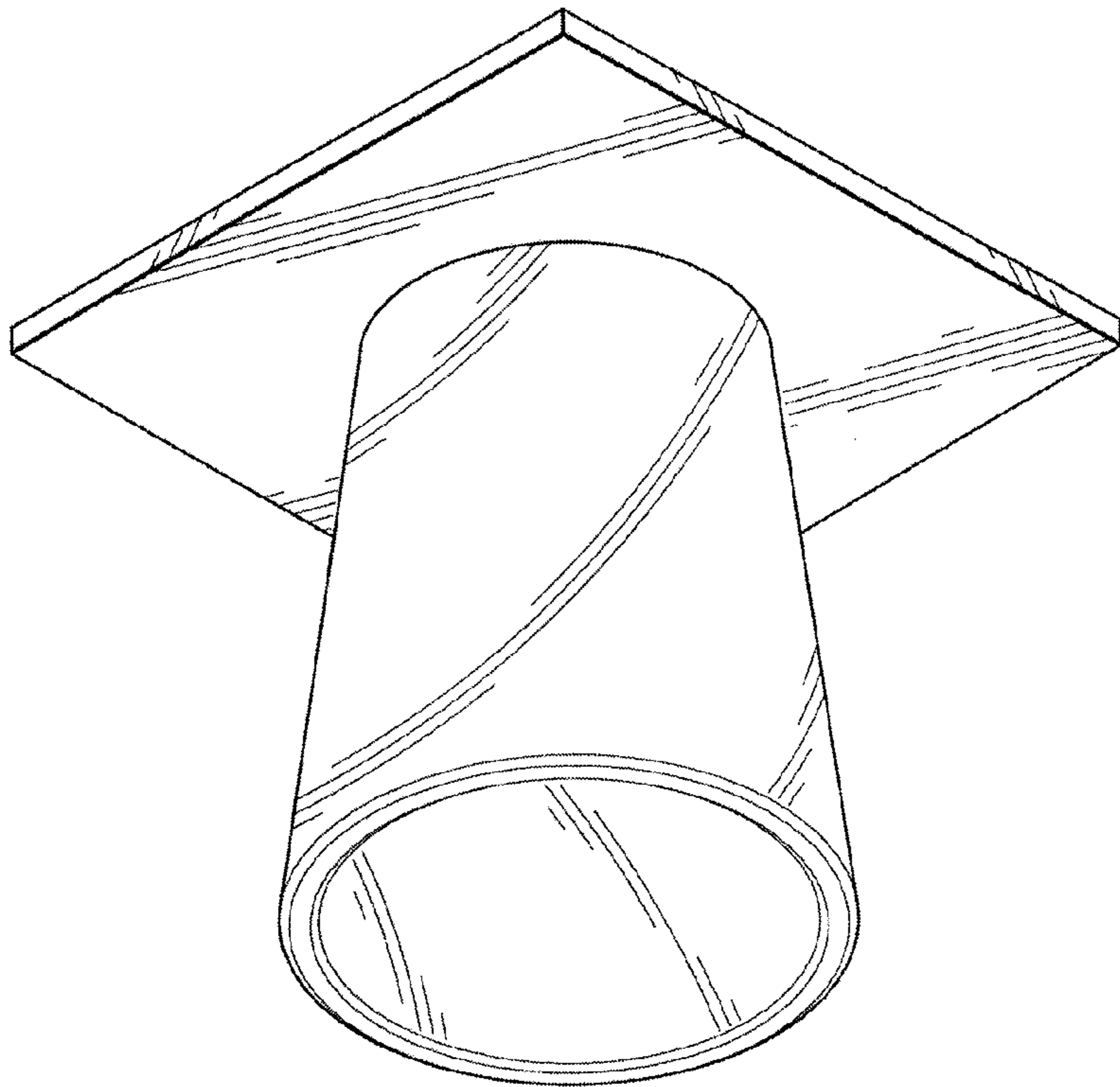


FIG. 8

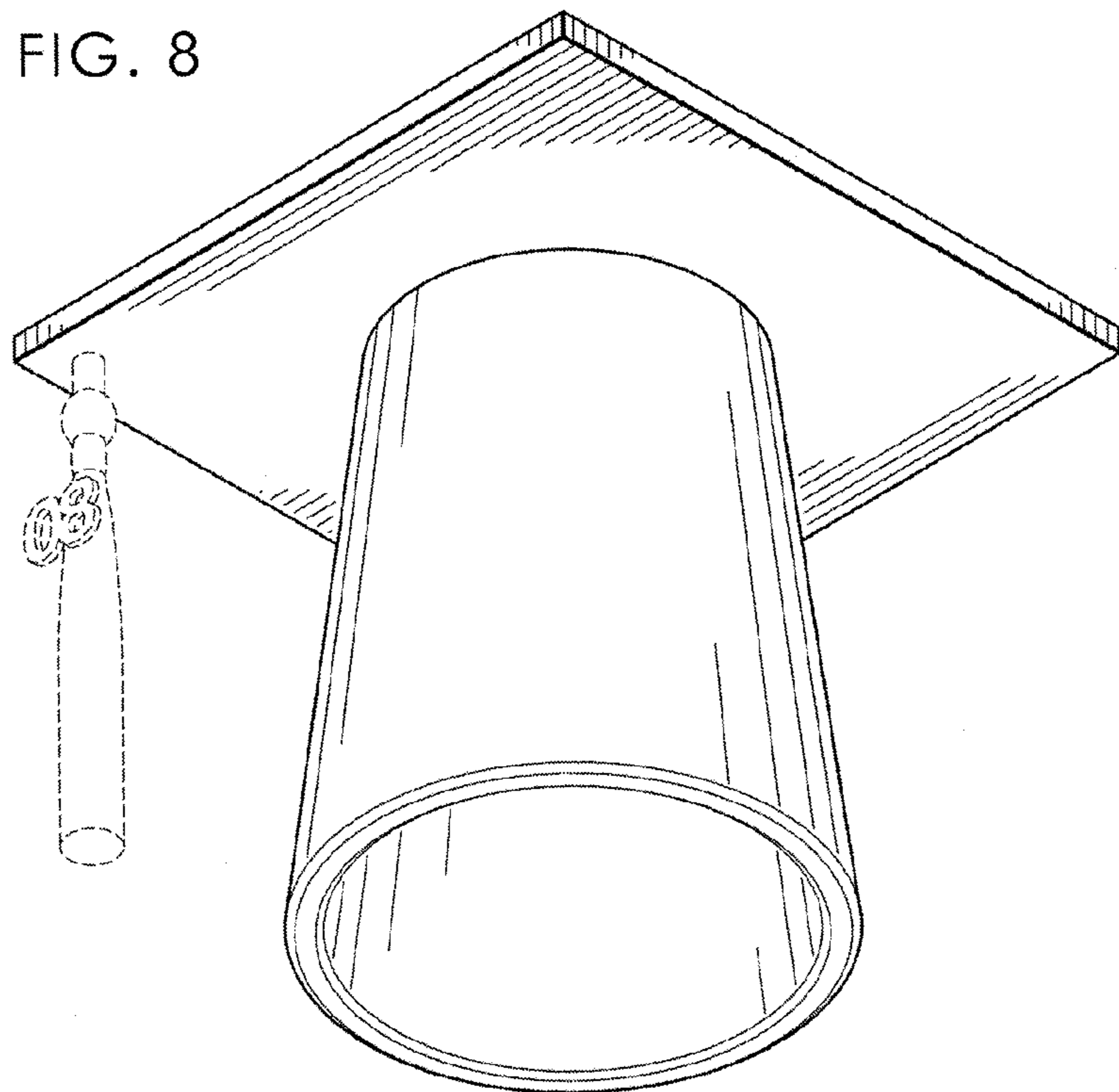


FIG. 9