

US00D657196S

(12) **United States Design Patent**
Beyers, III

(10) **Patent No.:** **US D657,196 S**

(45) **Date of Patent:** **** Apr. 10, 2012**

(54) **MULTI-CHAMBERED BOTTLE CAP**

(76) Inventor: **Wilfred C. Beyers, III**, Pana, IL (US)

(**) Term: **14 Years**

(21) Appl. No.: **29/386,110**

(22) Filed: **Feb. 24, 2011**

Related U.S. Application Data

(63) Continuation-in-part of application No. 11/845,861, filed on Aug. 28, 2007, now abandoned.

(51) **LOC (9) Cl.** **07-01**

(52) **U.S. Cl.** **D7/513; D7/542; D7/900**

(58) **Field of Classification Search** D7/510,
D7/511, 500, 532, 900, 507, 538, 505, 513;
215/121, 382, 388, 387; 220/674, 715, 713,
220/718, 592.16, 592.17, 709, 708; D9/529,
D9/500, 539

See application file for complete search history.

(56) **References Cited**

U.S. PATENT DOCUMENTS

D219,053 S * 10/1970 Gulotta D7/542
5,186,350 A * 2/1993 McBride 220/739
D458,134 S * 6/2002 Berish et al. D9/443

D476,231 S * 6/2003 Paquette D9/439
D516,865 S * 3/2006 Davies et al. D7/538
D616,744 S * 6/2010 Cresswell et al. D9/443
D626,416 S * 11/2010 Cresswell et al. D9/503
D628,486 S * 12/2010 Lane D9/503
D635,457 S * 4/2011 Lane D9/503
2011/0042337 A1* 2/2011 Kountotsis 215/6

* cited by examiner

Primary Examiner — Cynthia Underwood

(74) *Attorney, Agent, or Firm* — Dale J. Ream

(57) **CLAIM**

The ornamental design for a multi-chambered bottle cap, as shown and described.

DESCRIPTION

FIG. 1 is a perspective view of a multi-chambered bottle cap showing my new design;

FIG. 2 is another perspective view thereof;

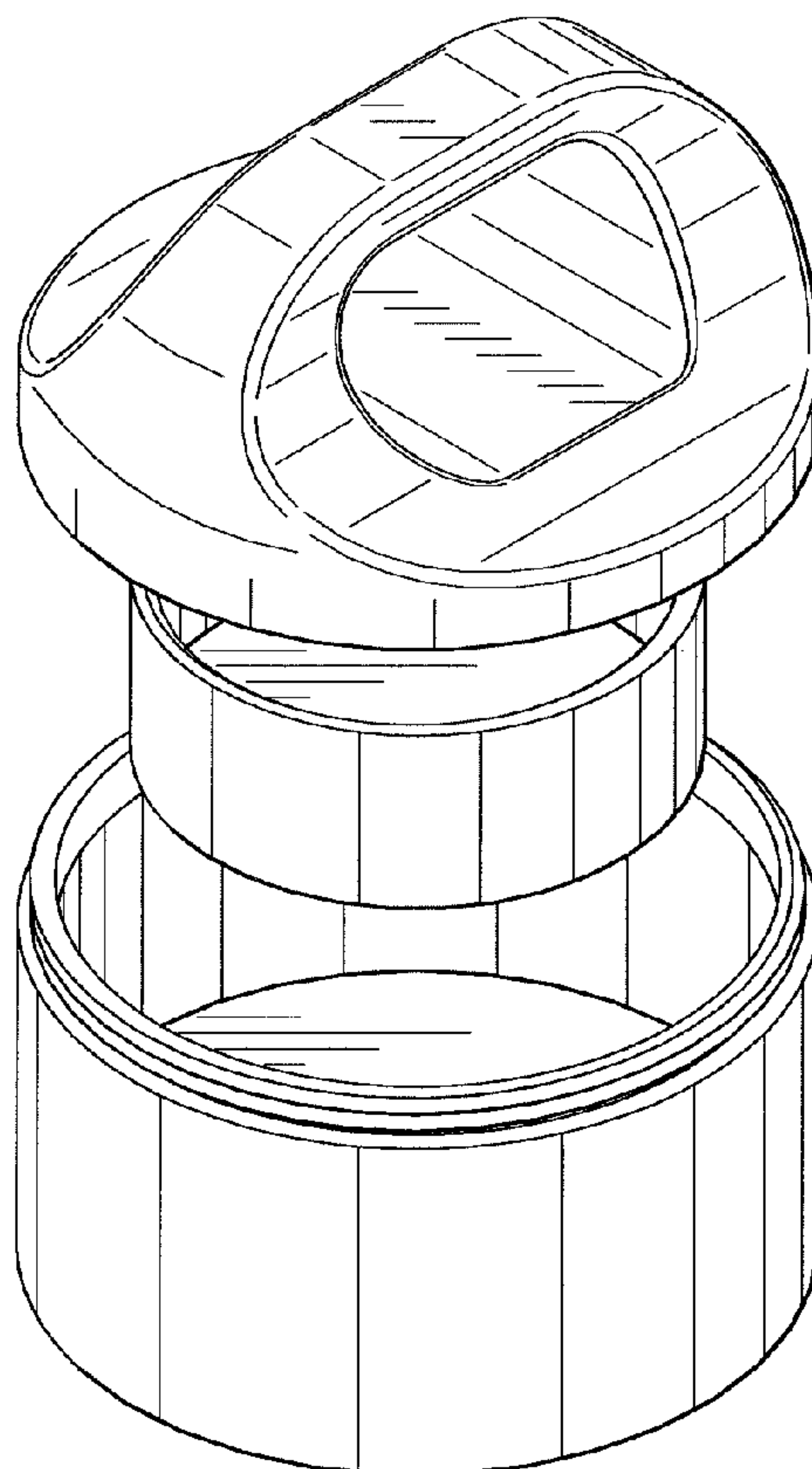
FIG. 3 is a front view, the back view being a mirror image thereof;

FIG. 4 is a left side view, the right side view being a mirror image thereof;

FIG. 5 is a top view thereof; and,

FIG. 6 is a bottom view thereof.

1 Claim, 5 Drawing Sheets



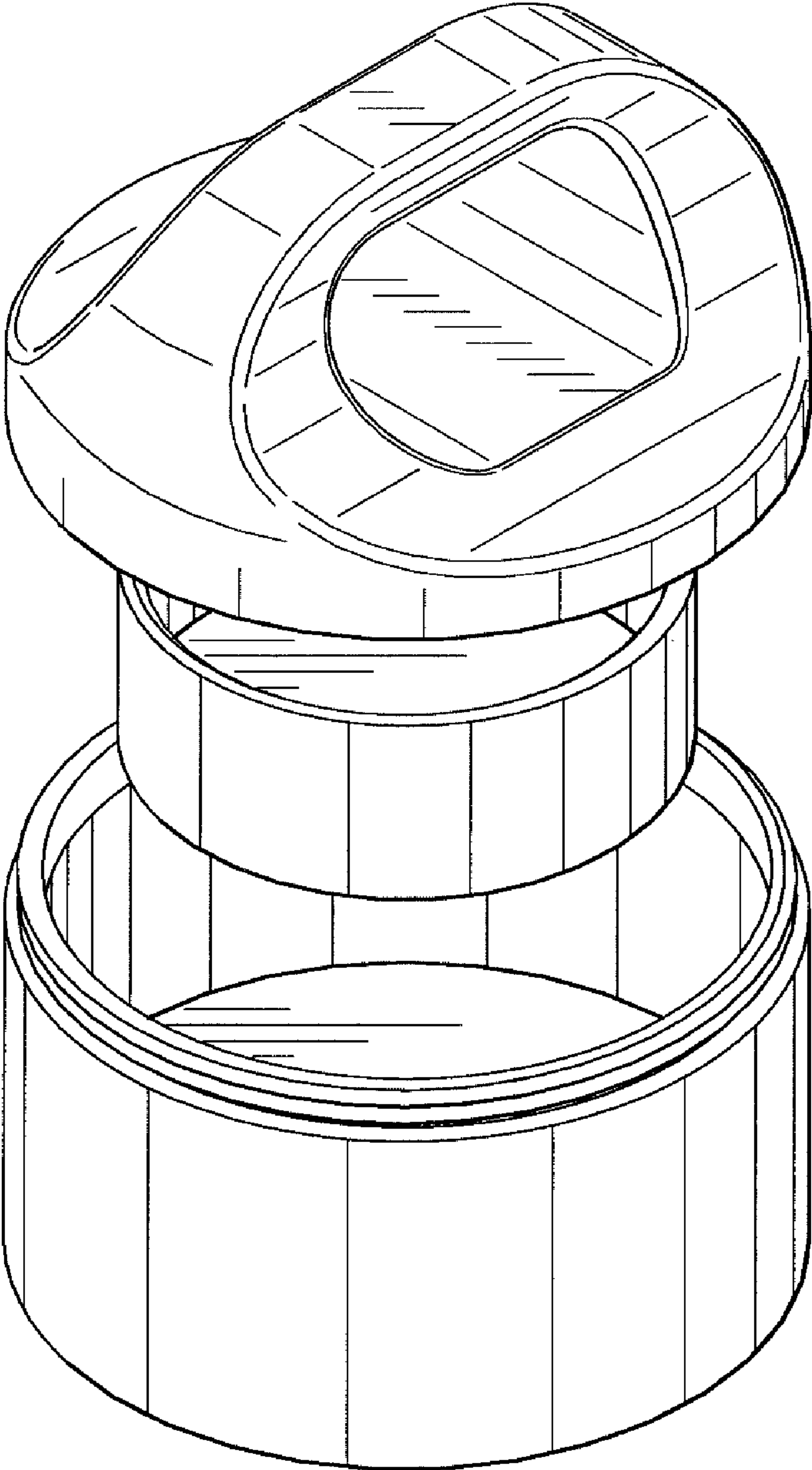


Fig. 1

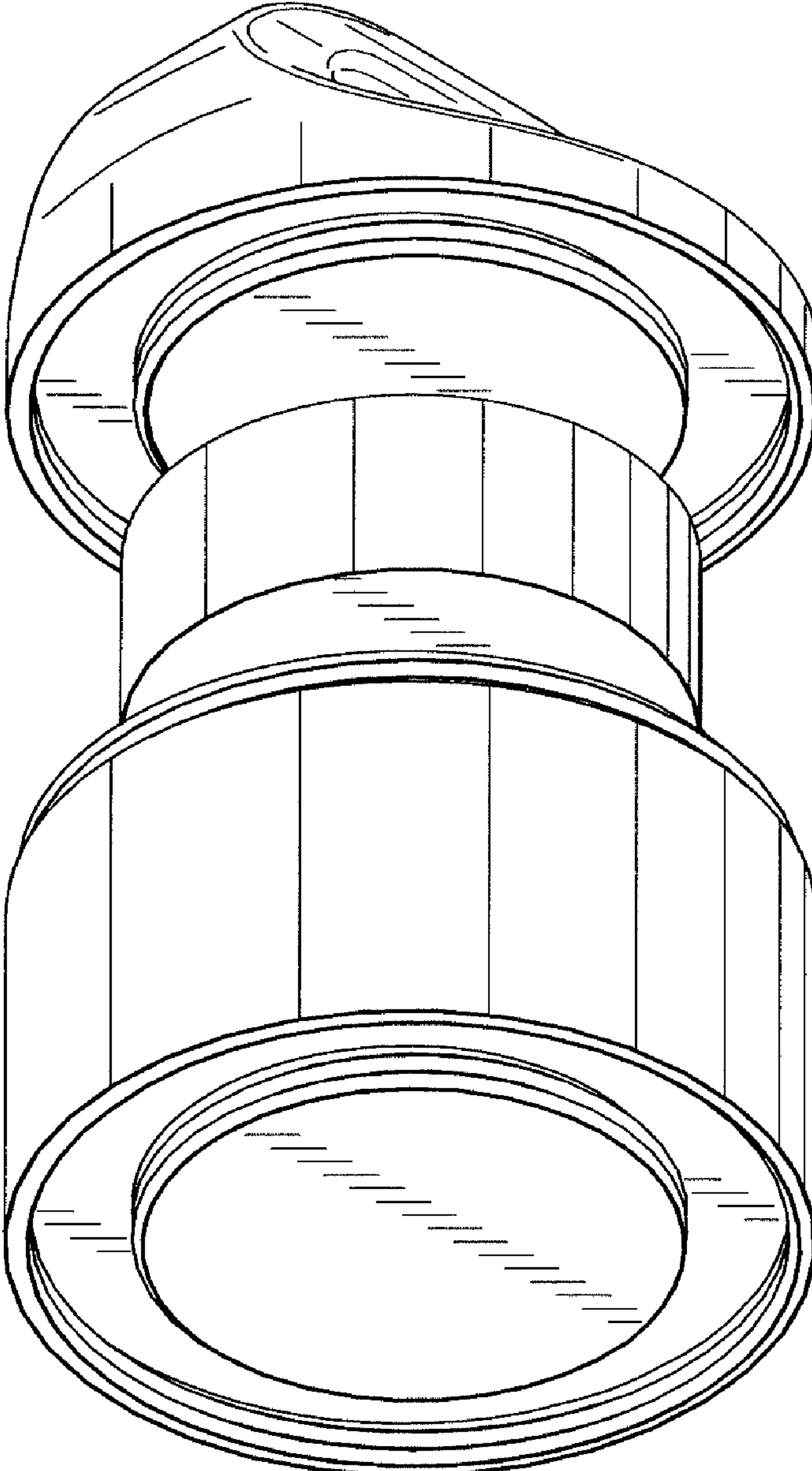


Fig. 2

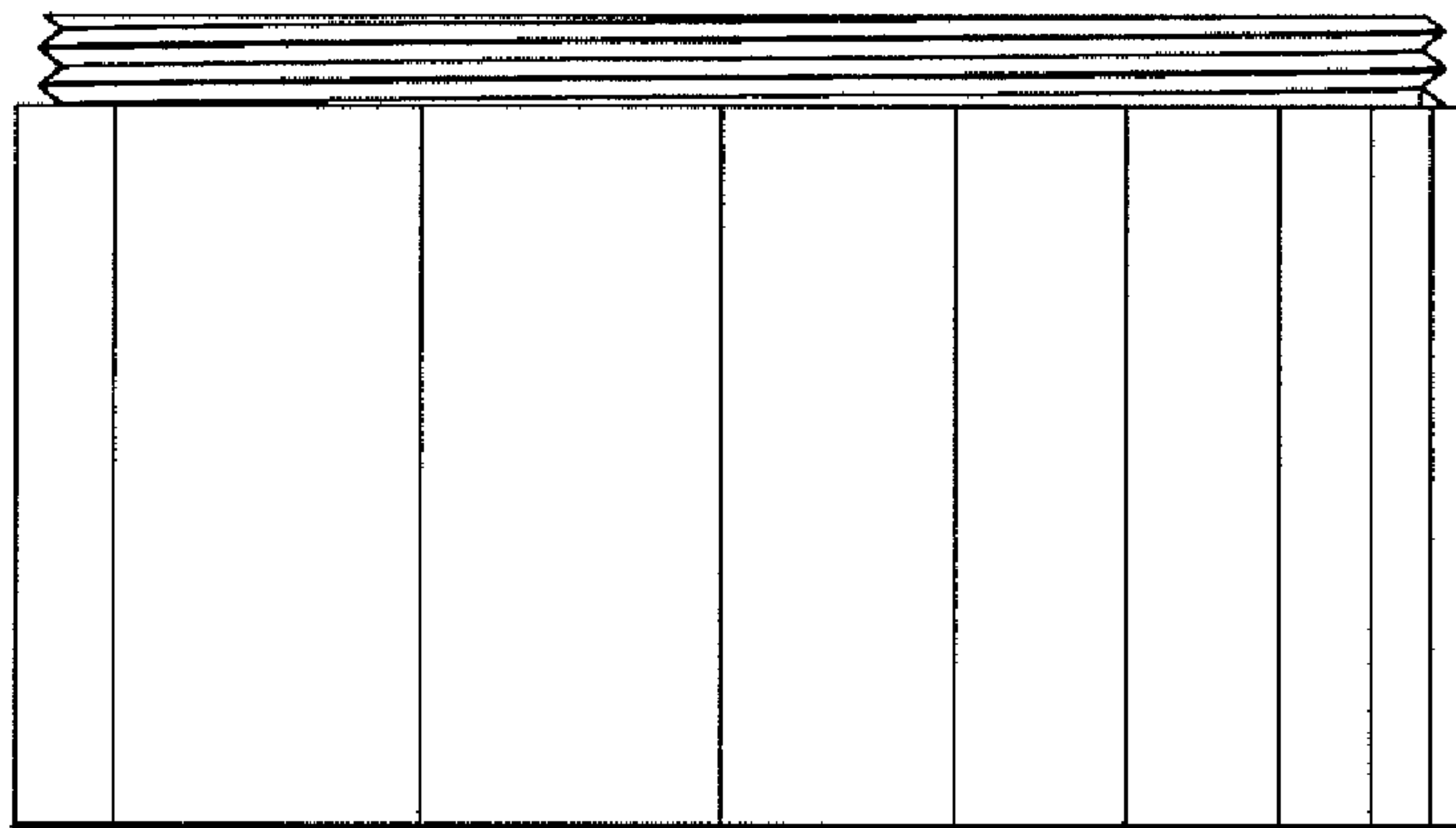
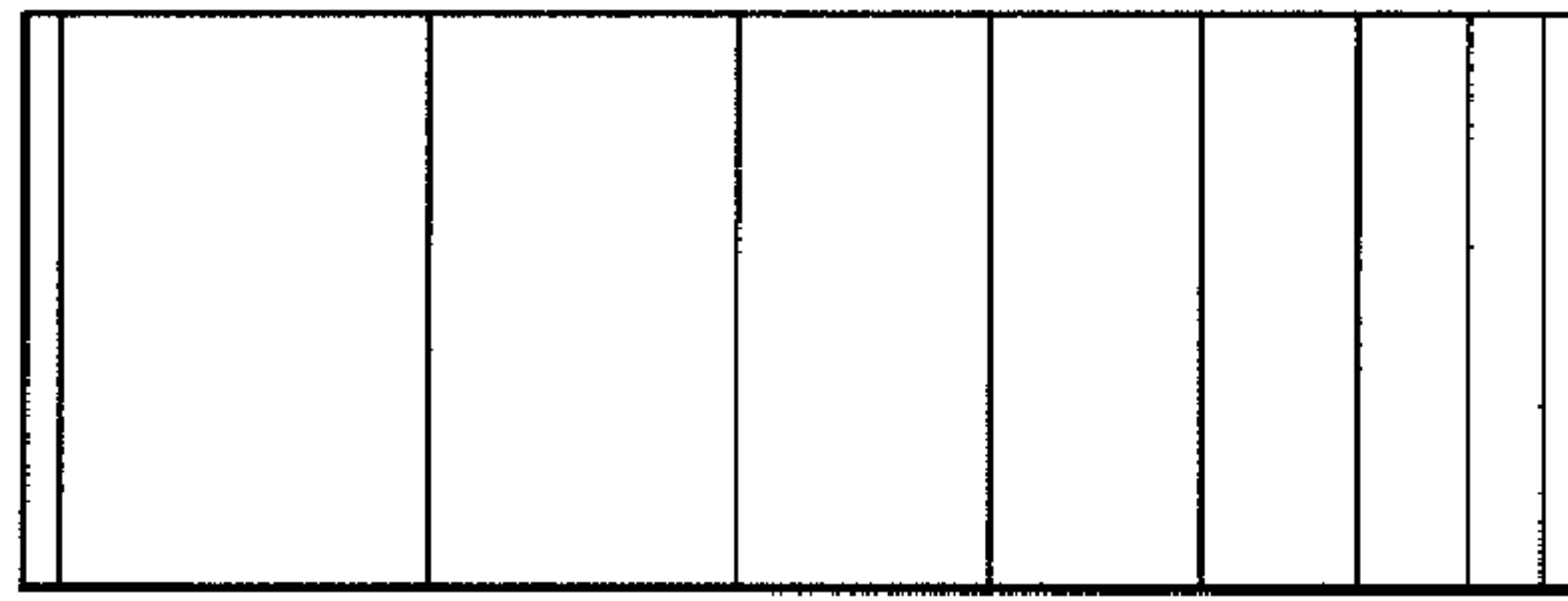
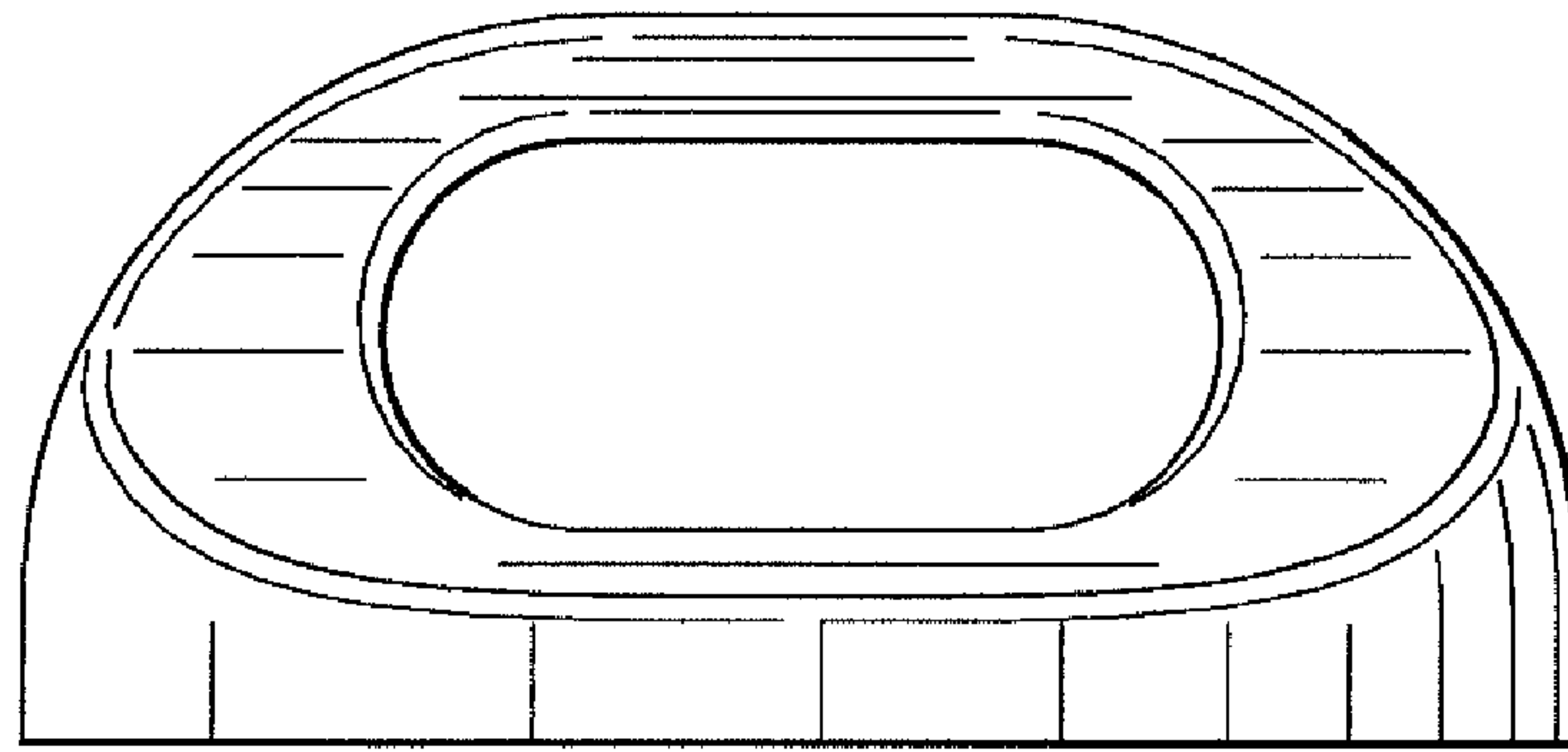


Fig. 3

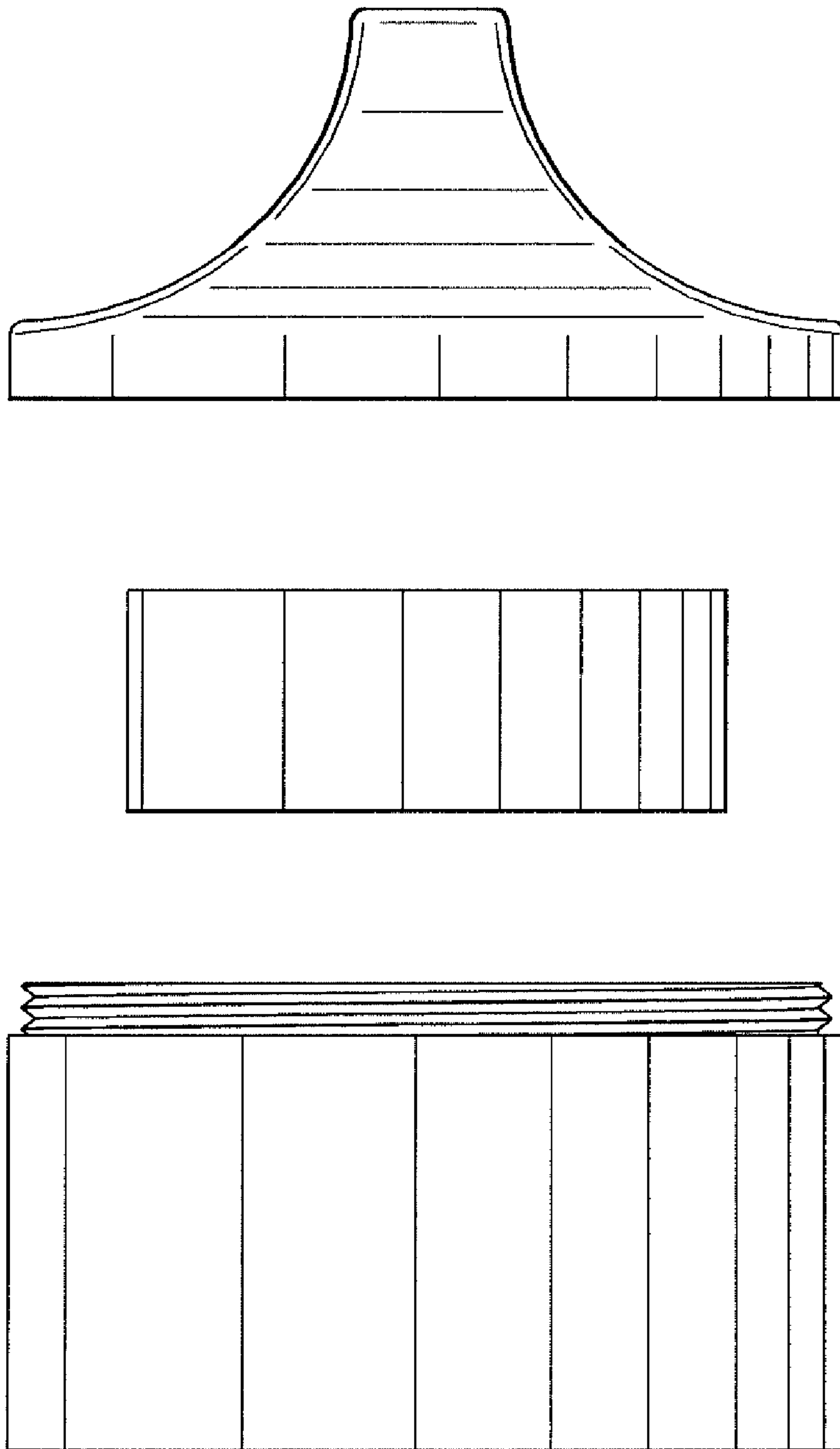


Fig. 4

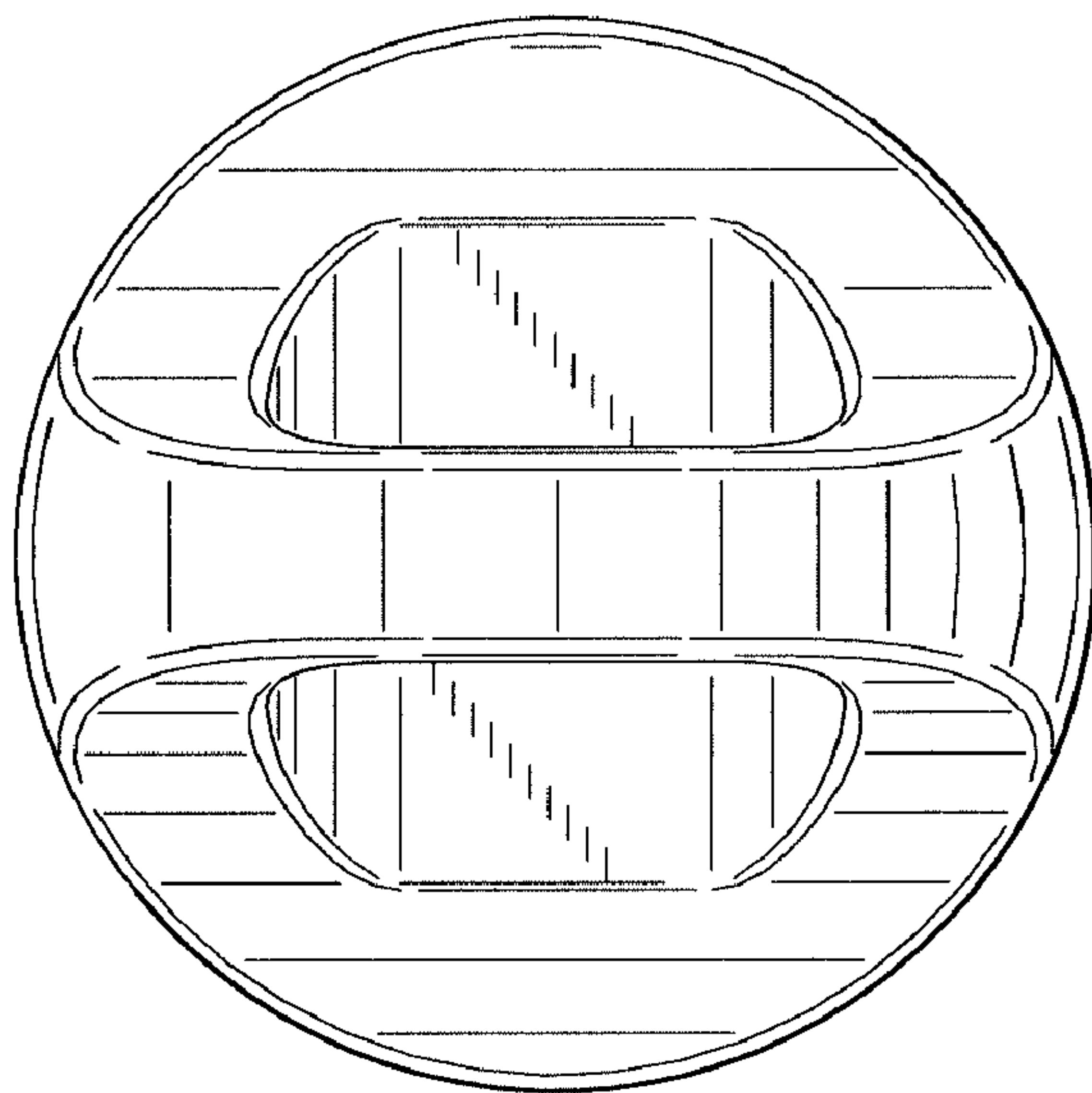


Fig. 5

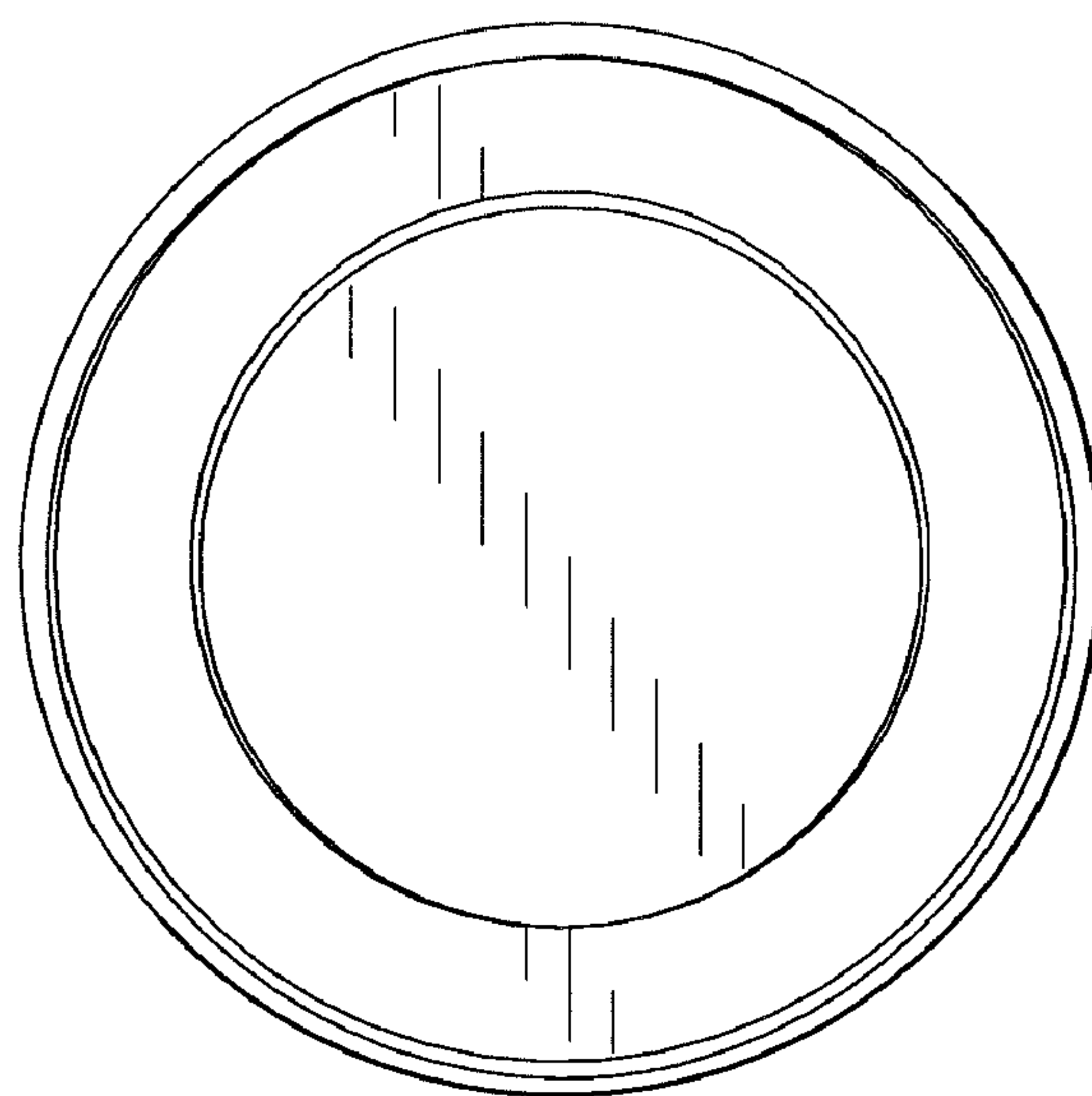


Fig. 6