



US00D657192S

(12) **United States Design Patent**  
**Trussell**

(10) **Patent No.:** **US D657,192 S**  
(45) **Date of Patent:** **\*\* Apr. 10, 2012**

(54) **STOVE GRILL**

(76) Inventor: **Roy Daniel Trussell**, Wabeno, WI (US)

(\*\*) Term: **14 Years**

(21) Appl. No.: **29/402,989**

(22) Filed: **Sep. 29, 2011**

(51) **LOC (9) Cl.** ..... **07-02**

(52) **U.S. Cl.** ..... **D7/408**

(58) **Field of Classification Search** ..... D7/339-341,  
D7/346, 354-361, 388, 402, 408-409, 435,  
D7/332; D23/346-347, 397; 99/385, 402,  
99/403, 427, 449-450, 421 A, 421 H, 421 R;  
126/211, 275 R; 220/491, 912

See application file for complete search history.

(56) **References Cited**

**U.S. PATENT DOCUMENTS**

D303,609 S *	9/1989	Binzer	.....	D7/408
D327,602 S *	7/1992	Walker	.....	D7/335
D343,336 S *	1/1994	Falk	.....	D7/346
D347,551 S *	6/1994	Gress	.....	D7/402
D353,300 S *	12/1994	Edman et al.	.....	D7/408
D367,205 S *	2/1996	O'Higgins	.....	D7/409
D369,939 S *	5/1996	Gibbs	.....	D7/332
D389,374 S *	1/1998	Miller	.....	D7/408
D439,110 S *	3/2001	Cozzolino	.....	D7/408
D492,156 S *	6/2004	Siegel et al.	.....	D7/408

D538,584 S *	3/2007	Scholze et al.	.....	D7/359
D569,180 S *	5/2008	Rathburn	.....	D7/409
D577,946 S *	10/2008	Carroll	.....	D7/336
D602,738 S *	10/2009	Bengtson et al.	.....	D7/408
D623,013 S *	9/2010	Alden et al.	.....	D7/409

\* cited by examiner

*Primary Examiner* — T. Chase Nelson

*Assistant Examiner* — Mark Cavanna

(74) *Attorney, Agent, or Firm* — Steven H Greenfield;  
Greenfield Invention and Patent Consulting Inc.

(57) **CLAIM**

The ornamental design for a stove grill, as shown and described.

**DESCRIPTION**

FIG. 1 is a top view and a bottom view of a stove grill showing my new design;

FIG. 2 is a first side plan view thereof;

FIG. 3 is a side plan view thereof;

FIG. 4 is a front side elevational view and a rear side elevational view thereof; and,

FIG. 5 is another front side elevational view and a rear side elevational view thereof.

The front and rear views of the stove grill are identical. Opposite side views of the stove grill are identical.

**1 Claim, 5 Drawing Sheets**

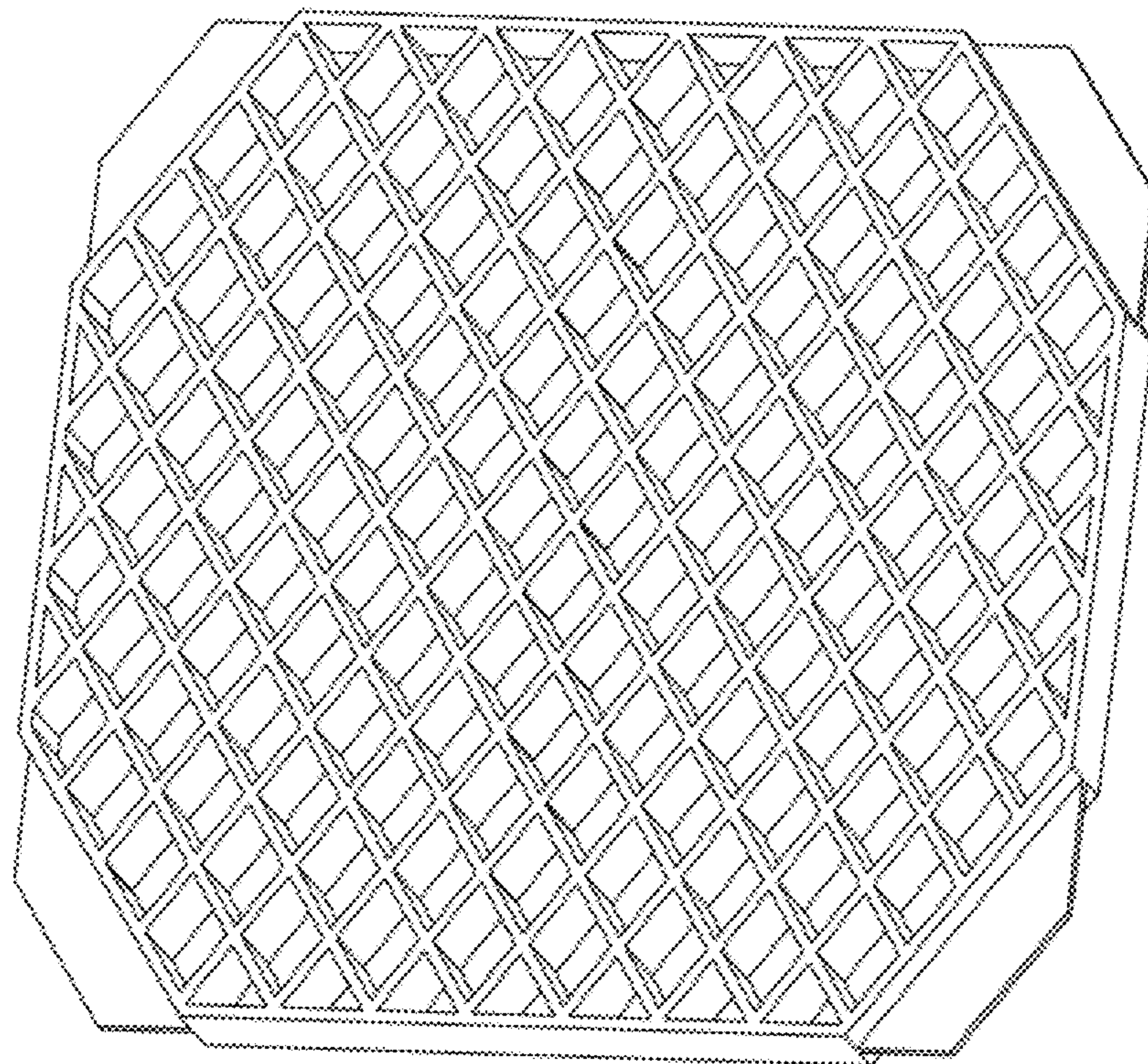




FIG. 1

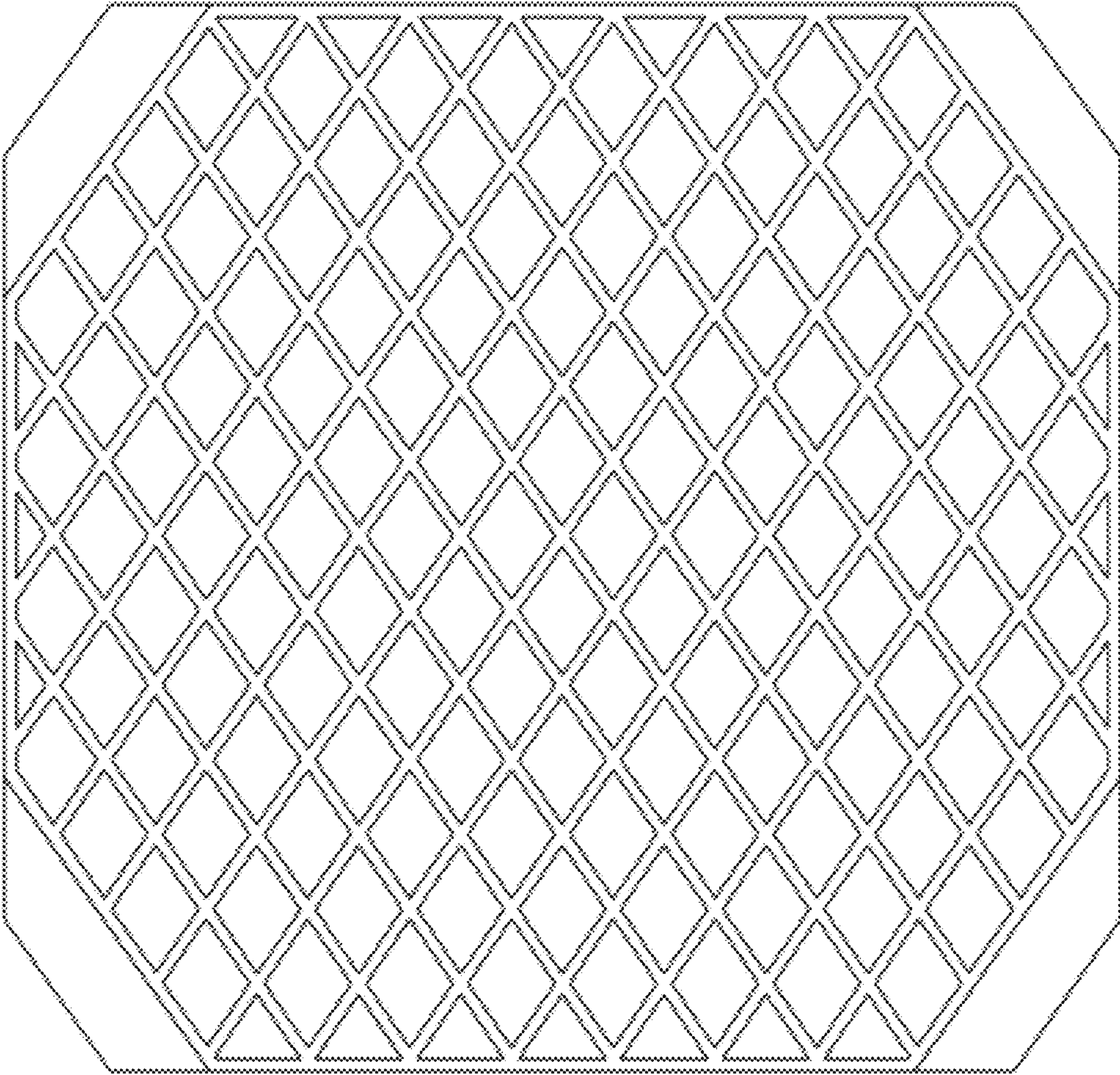


FIG. 2



FIG. 3



FIG. 4

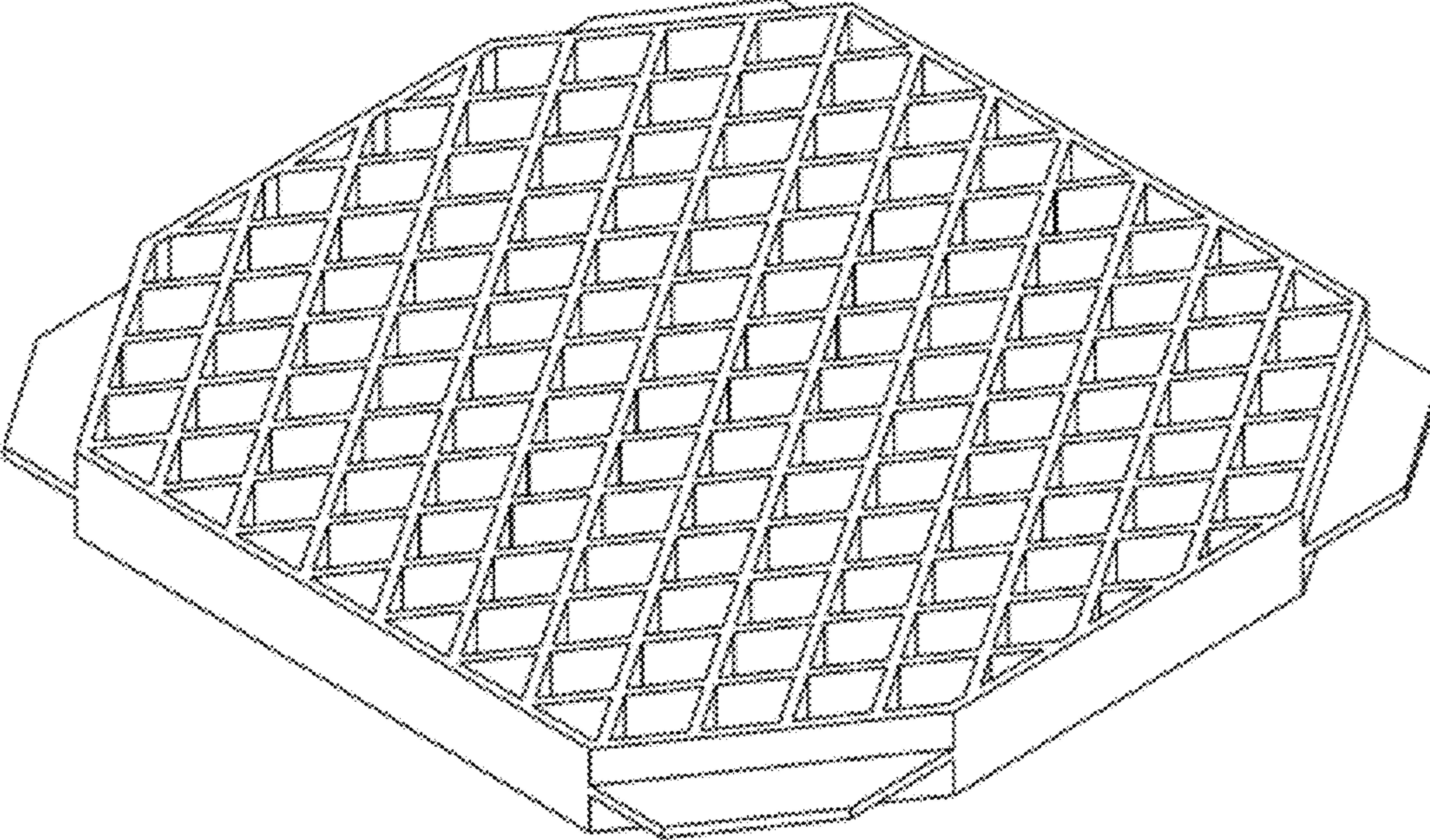




FIG. 5

