



US00D657189S

(12) **United States Design Patent**
Lewis

(10) **Patent No.:** **US D657,189 S**
(45) **Date of Patent:** **** Apr. 10, 2012**

(54) **BEVERAGE COOLER**

(76) Inventor: **Jeffrey Todd Lewis**, Transfer, PA (US)

(**) Term: **14 Years**

(21) Appl. No.: **29/377,824**

(22) Filed: **Oct. 26, 2010**

Related U.S. Application Data

(63) Continuation-in-part of application No. 11/955,958, filed on Dec. 13, 2007, now abandoned.

(51) **LOC (9) Cl.** **07-99**

(52) **U.S. Cl.** **D7/398; D7/397; D9/448**

(58) **Field of Classification Search** D7/300.1,
D7/300, 313, 398, 397, 392; D23/255, 238;
222/38, 30, 397; 4/675; D6/542; D9/448
See application file for complete search history.

(56) **References Cited**

U.S. PATENT DOCUMENTS

D182,056 S * 2/1958 Albert D7/398
3,323,695 A * 6/1967 Monahan 222/506
D238,322 S * 1/1976 Kulhanjian D6/545

D328,200 S * 7/1992 Ipsen D7/398
5,301,850 A * 4/1994 Gueret 222/494
6,662,574 B2 * 12/2003 Loibl et al. 62/64
D529,992 S * 10/2006 Lammel D23/238
D545,123 S * 6/2007 Holub D7/398
D582,722 S * 12/2008 Pena D7/398
8,046,850 B2 * 11/2011 Chang 4/675

* cited by examiner

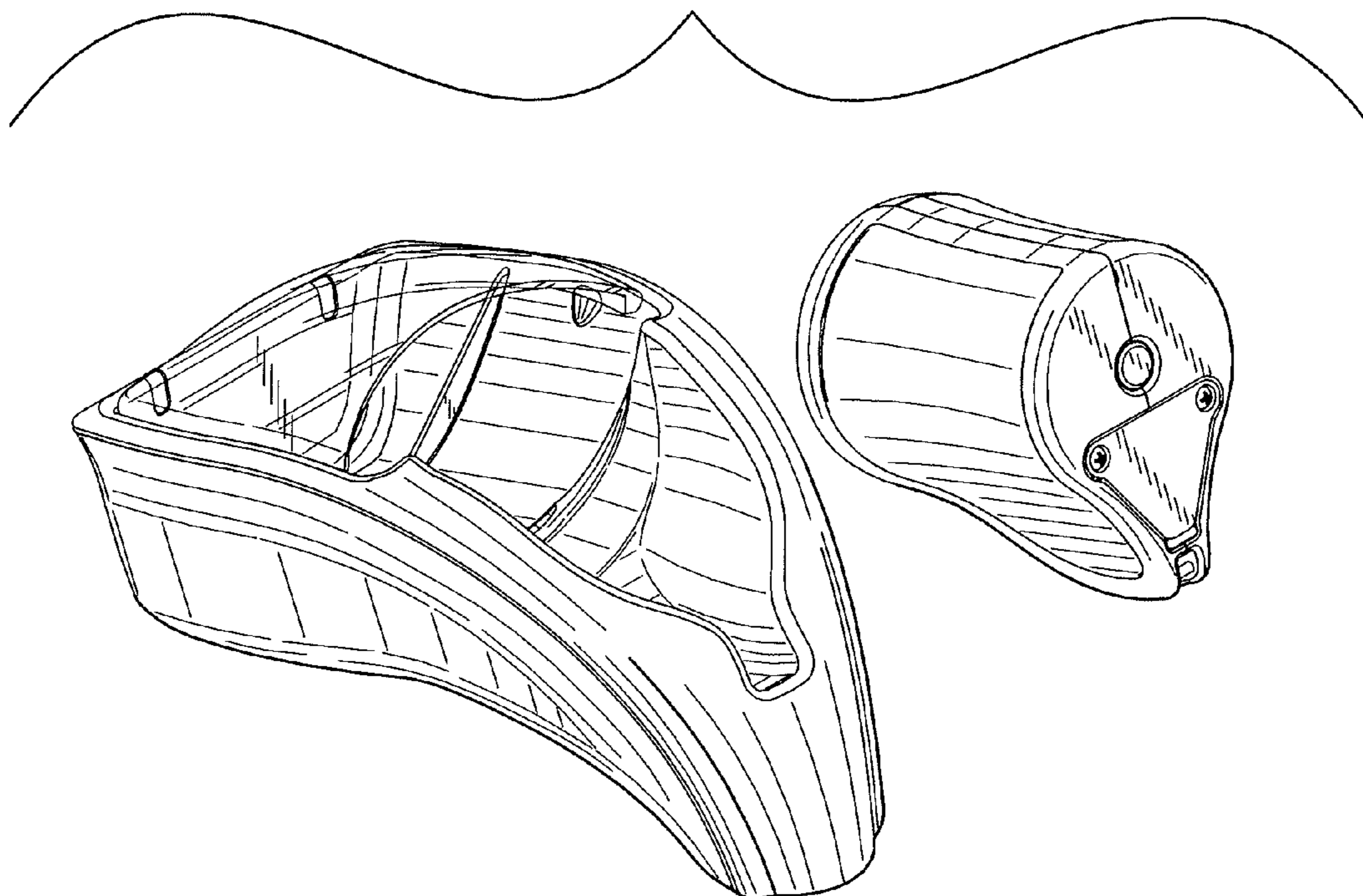
Primary Examiner — Marianne Pandozzi
(74) *Attorney, Agent, or Firm* — Dale J. Ream

(57) **CLAIM**
The ornamental design for a beverage cooler, as shown and described.

DESCRIPTION

FIG. 1 is an exploded perspective view of a beverage cooler showing my new design;
FIG. 2 is an exploded right side view thereof;
FIG. 3 is an exploded left side view thereof;
FIG. 4 is an exploded front view thereof;
FIG. 5 is an exploded rear view thereof;
FIG. 6 is an exploded top plan view thereof; and,
FIG. 7 is an exploded bottom plan view thereof.

1 Claim, 7 Drawing Sheets



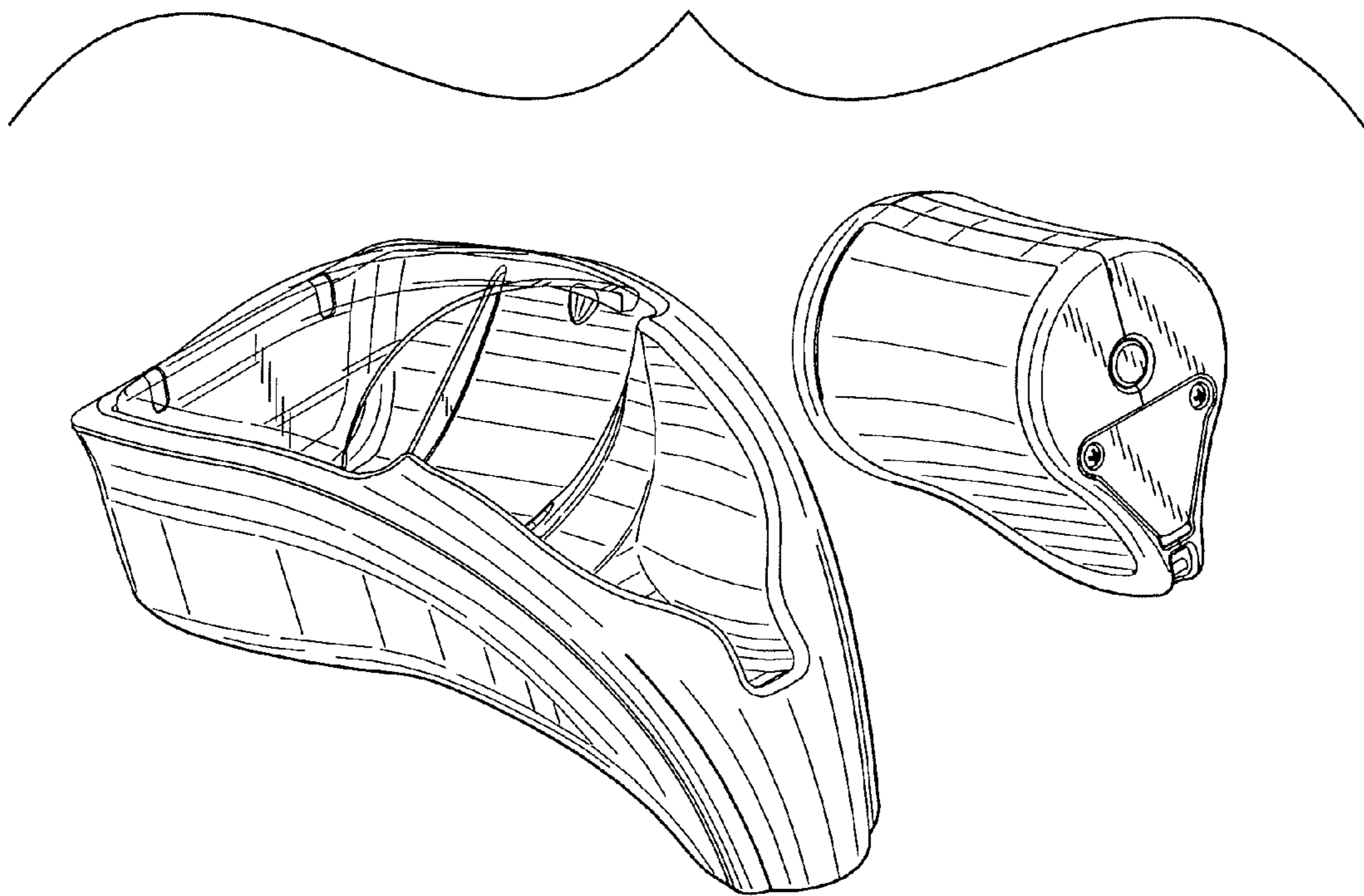


Fig. 1

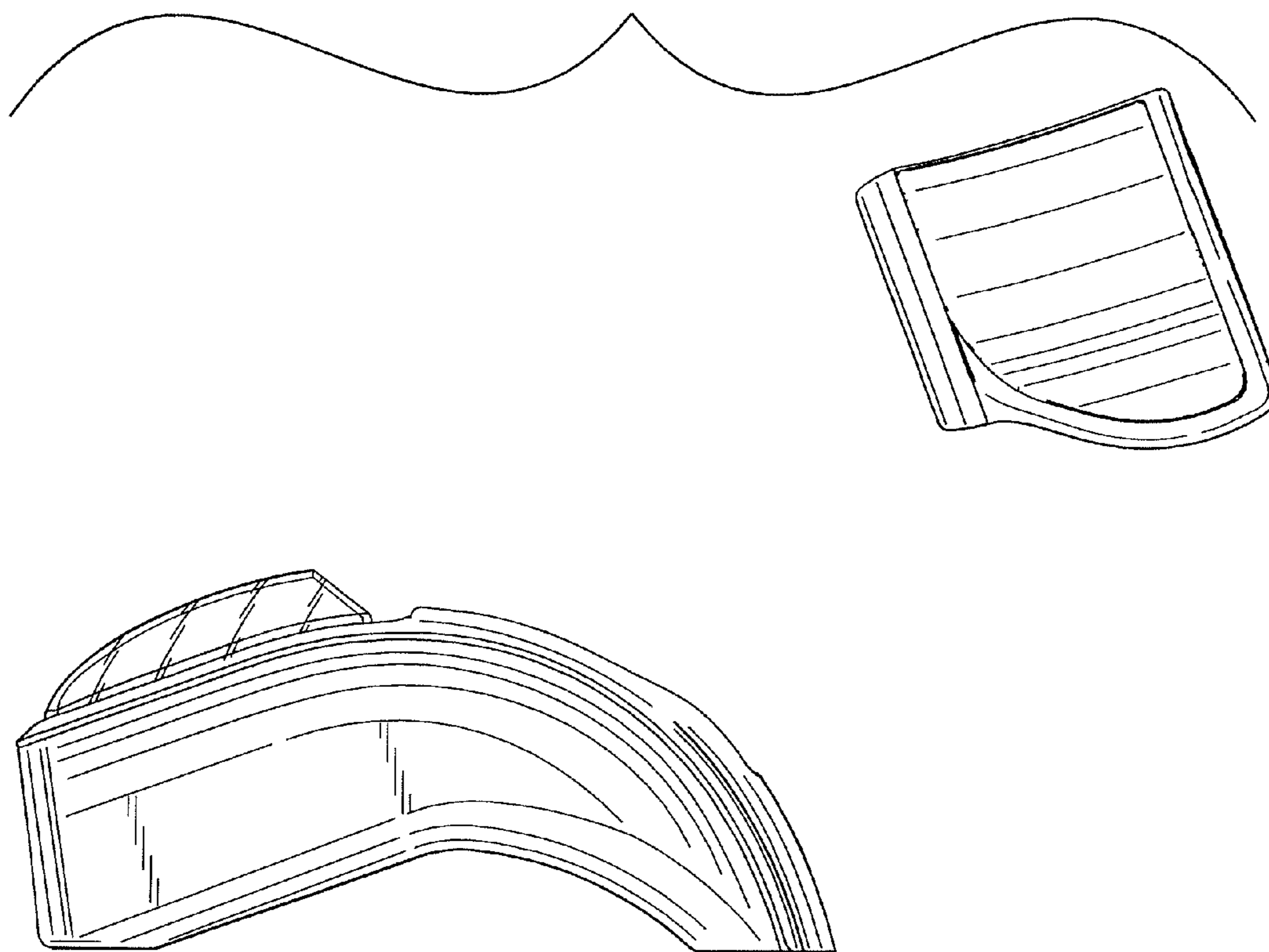


Fig. 2

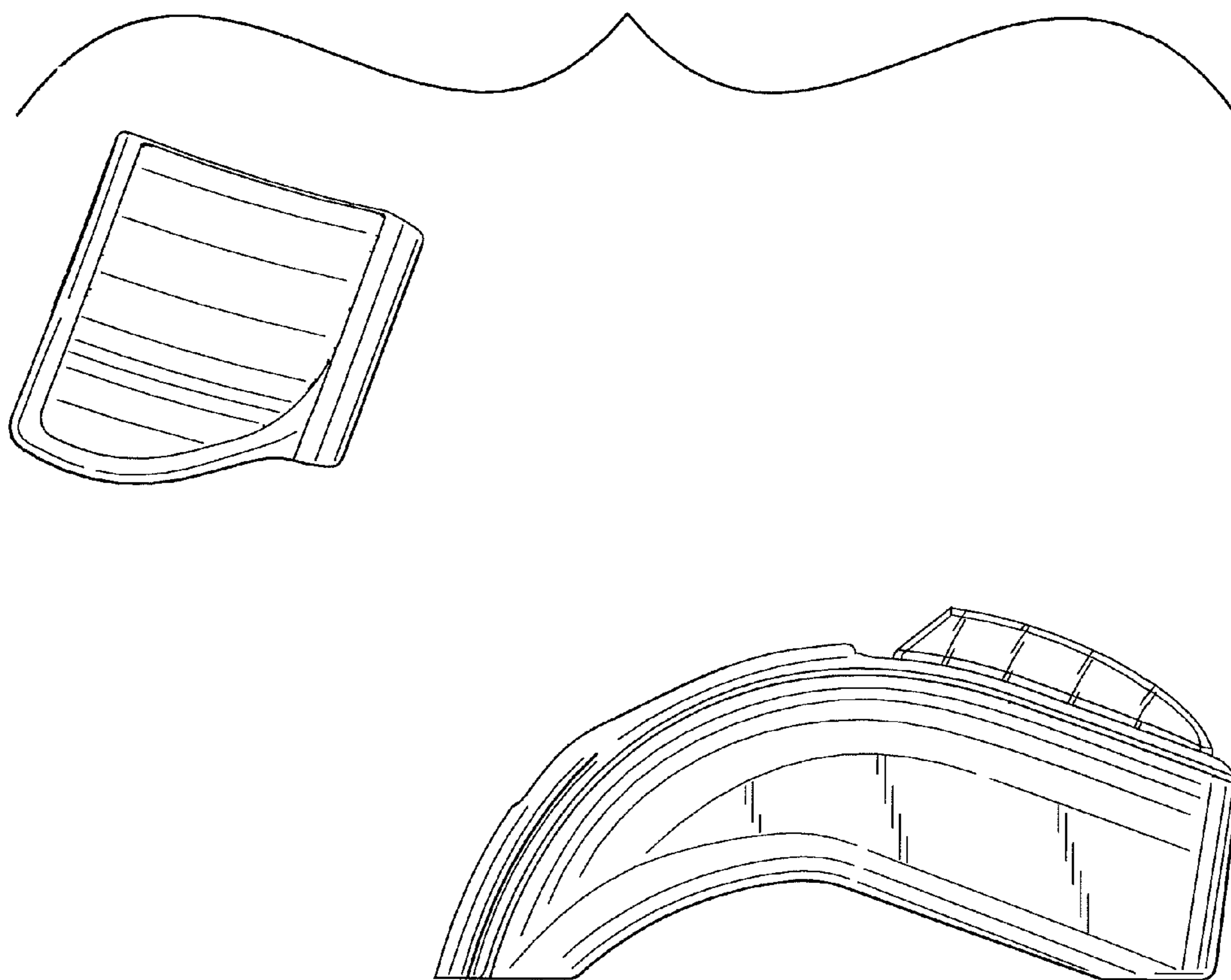


Fig. 3

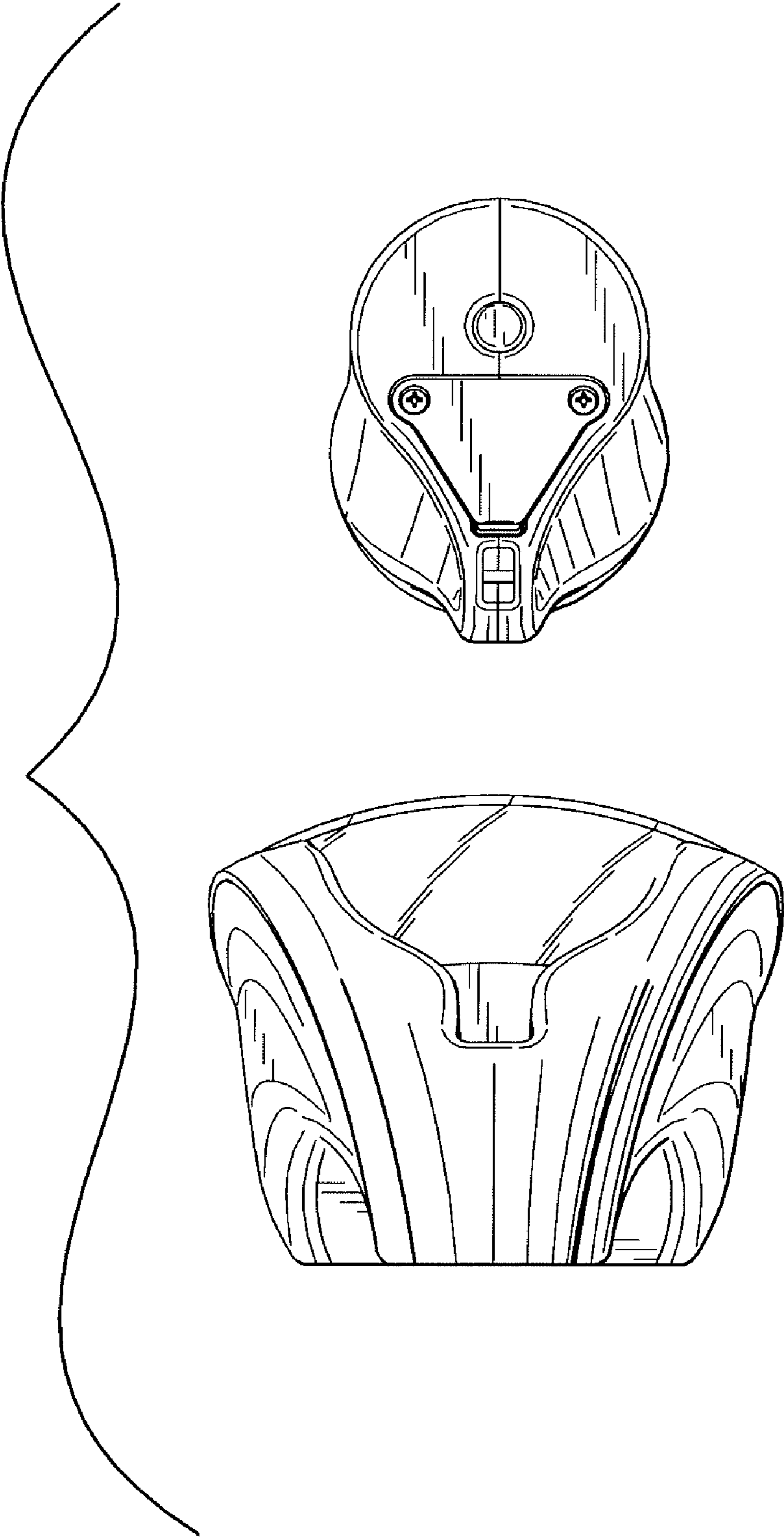


Fig. 4

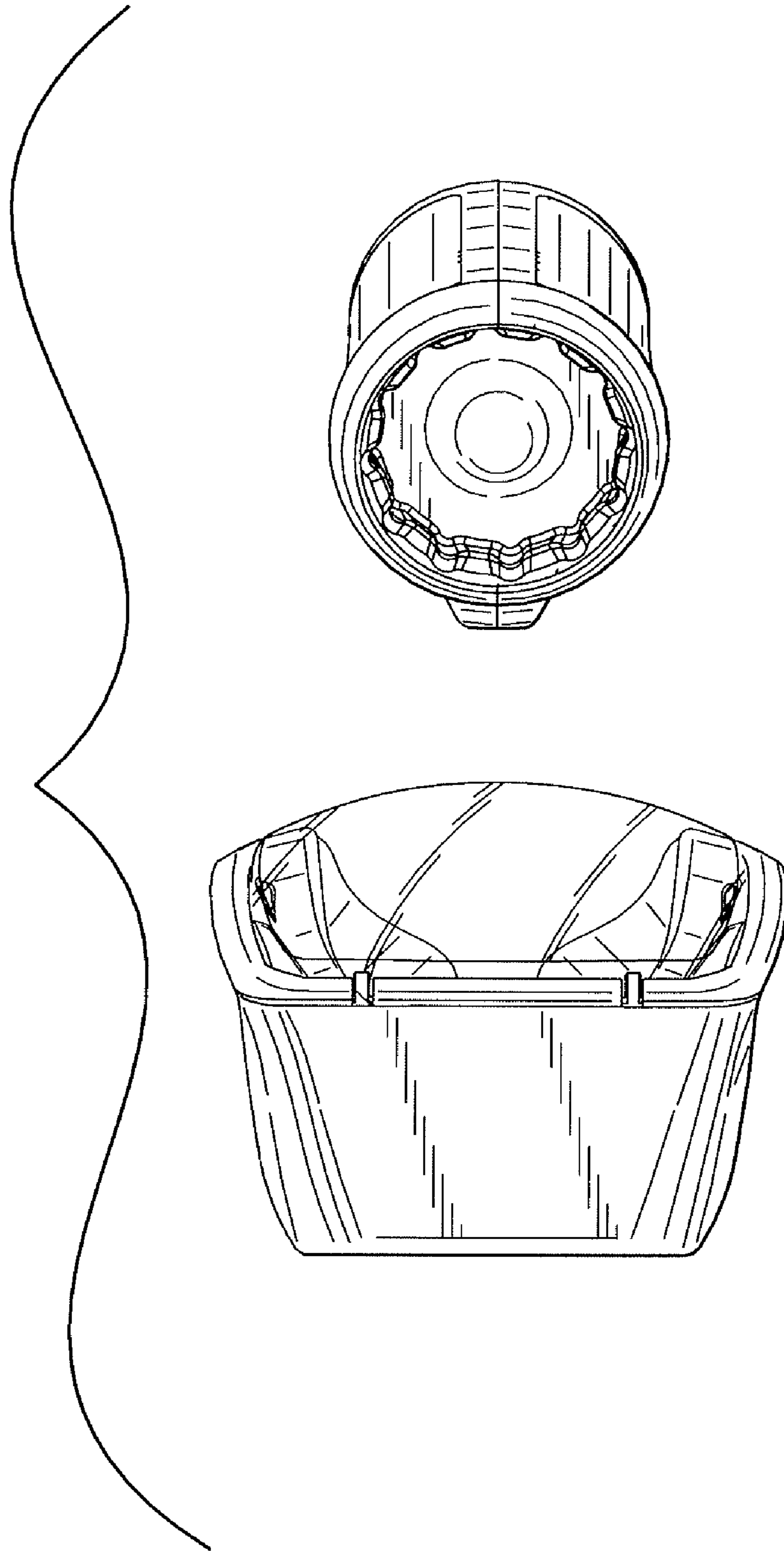


Fig. 5

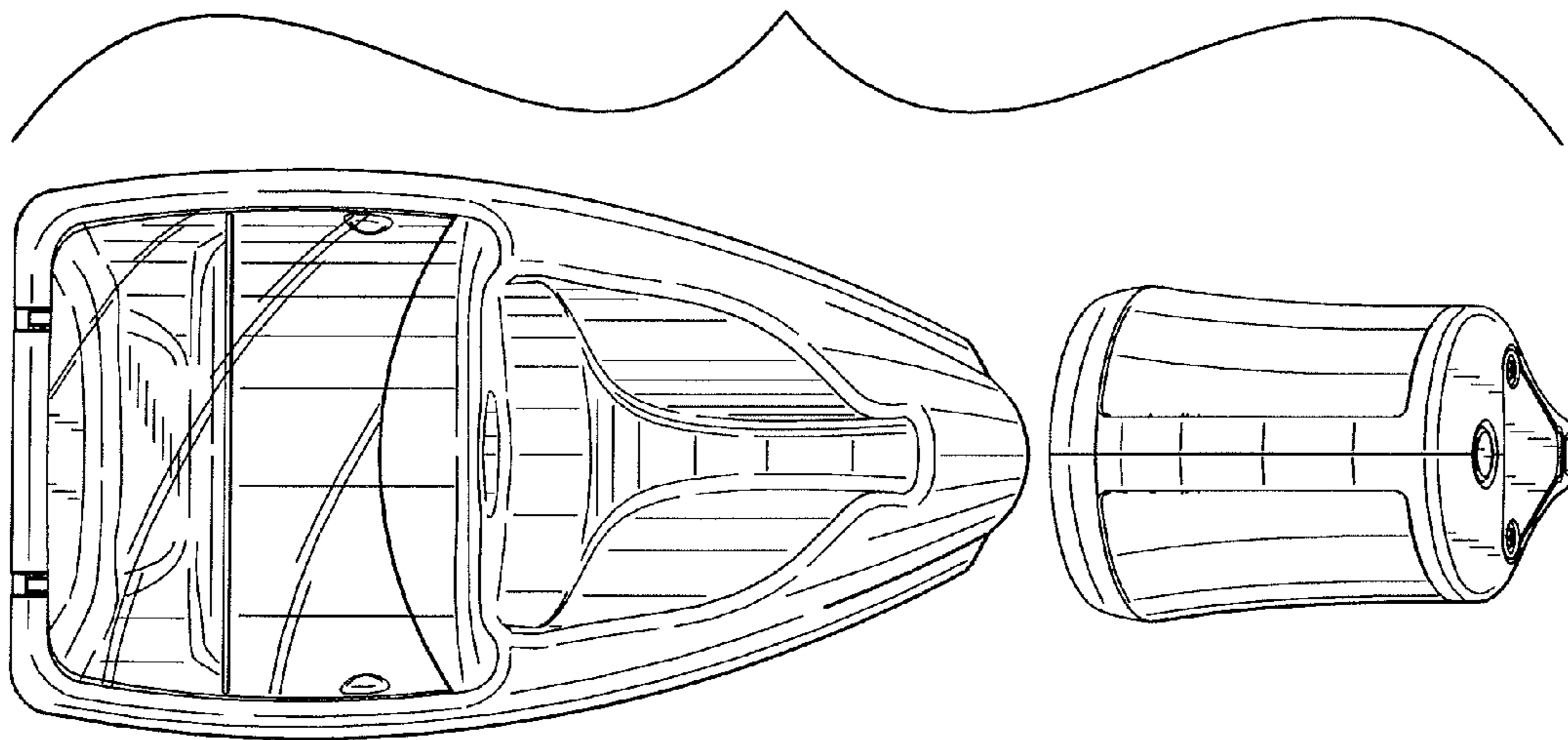


Fig. 6

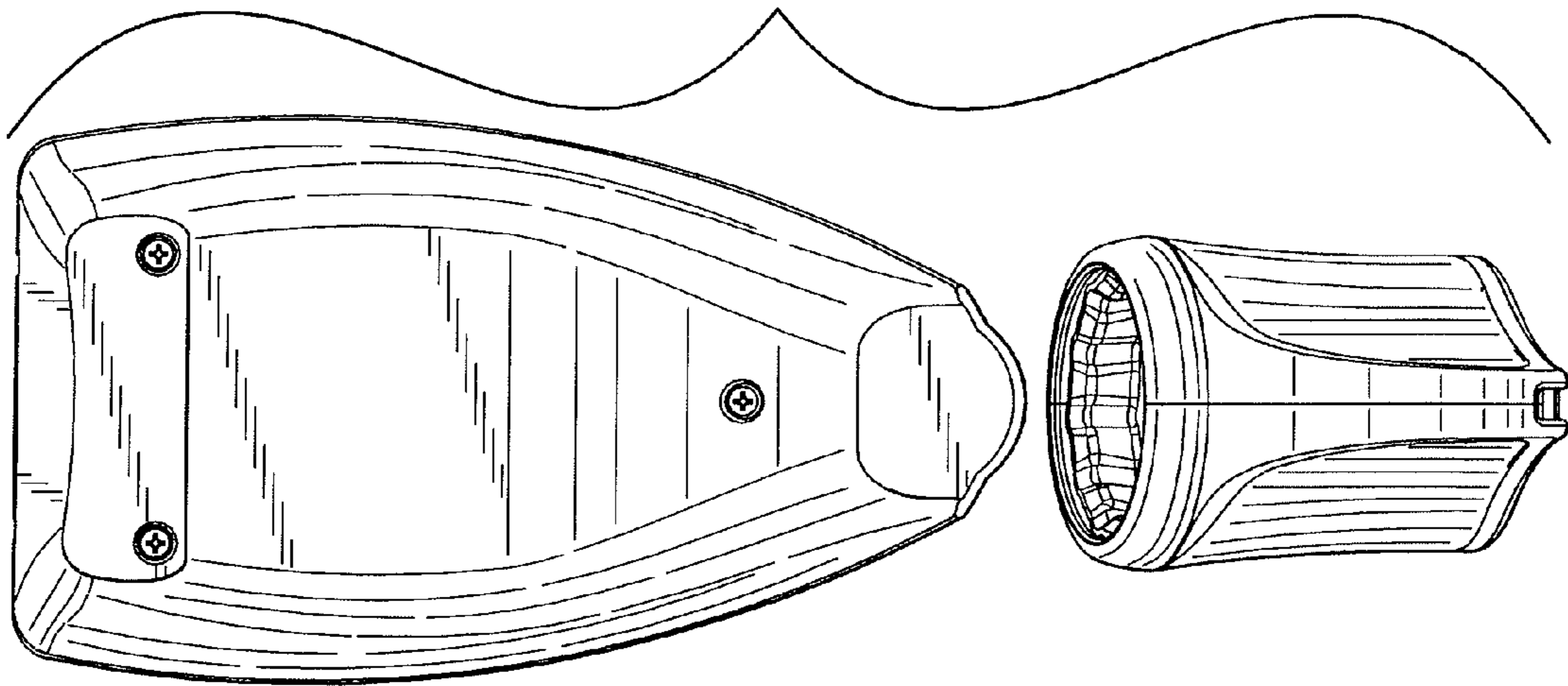


Fig. 7