



US00D657188S

(12) **United States Design Patent**
Herren

(10) **Patent No.:** **US D657,188 S**
(45) **Date of Patent:** **** Apr. 10, 2012**

(54) **CONTAINER PULL HANDLE**

(75) Inventor: **Bruno Herren**, Beckenried (CH)

(73) Assignee: **SwizzzProzzz AG**, Hargiswill (CH)

(**) Term: **14 Years**

(21) Appl. No.: **29/360,589**

(22) Filed: **Apr. 28, 2010**

(51) **LOC (9) Cl.** **07-02**

(52) **U.S. Cl.** **D7/394**

(58) **Field of Classification Search** D7/354-361,
D7/391, 393-395, 396.2, 514, 608, 629, 664;
D8/107, 300, 301, 306, 315, 316, 317, 319,
D8/320, 321; 16/430, 431, 110.1, 114.1,
16/407, 416, 429, 443, 441; 220/377, 573.1-573.5,
220/710.5, 752, 753, 755, 756, 760, 772,
220/773, 912; D3/318; 138/121, 145, 173;
D9/443; D23/252

See application file for complete search history.

(56) **References Cited**

U.S. PATENT DOCUMENTS

3,578,226	A *	5/1971	Good	D8/307
D324,414	S *	3/1992	Bonnell	D23/252
D324,563	S *	3/1992	Bonnell	D23/252
D332,379	S *	1/1993	Murphy	D7/391
5,244,113	A *	9/1993	Stymiest	220/710.5
D357,862	S *	5/1995	Lorentzen et al.	D9/434
D398,193	S *	9/1998	Sanchez	D7/608
D494,425	S *	8/2004	Segura	D7/608
D511,457	S *	11/2005	Biesecker et al.	D9/443
D551,534	S *	9/2007	Liang et al.	D8/301
D558,514	S *	1/2008	Molayem	D7/394
D584,566	S *	1/2009	Fuller	D7/396.2
D612,235	S *	3/2010	Cresswell et al.	D9/443
D620,357	S *	7/2010	Jewett et al.	D9/443
D630,475	S *	1/2011	Lu	D7/629

FOREIGN PATENT DOCUMENTS

DE	296 12 865	U1	11/1996
EP	1 034 731	A1	9/2000
FR	2 603 221	A1	8/1986
GB	982050		2/1965
WO	WO 03/043477	A1	5/2003

(Continued)

Primary Examiner — Cynthia M Chin

(74) *Attorney, Agent, or Firm* — Ostrolenk Faber LLP

(57) **CLAIM**

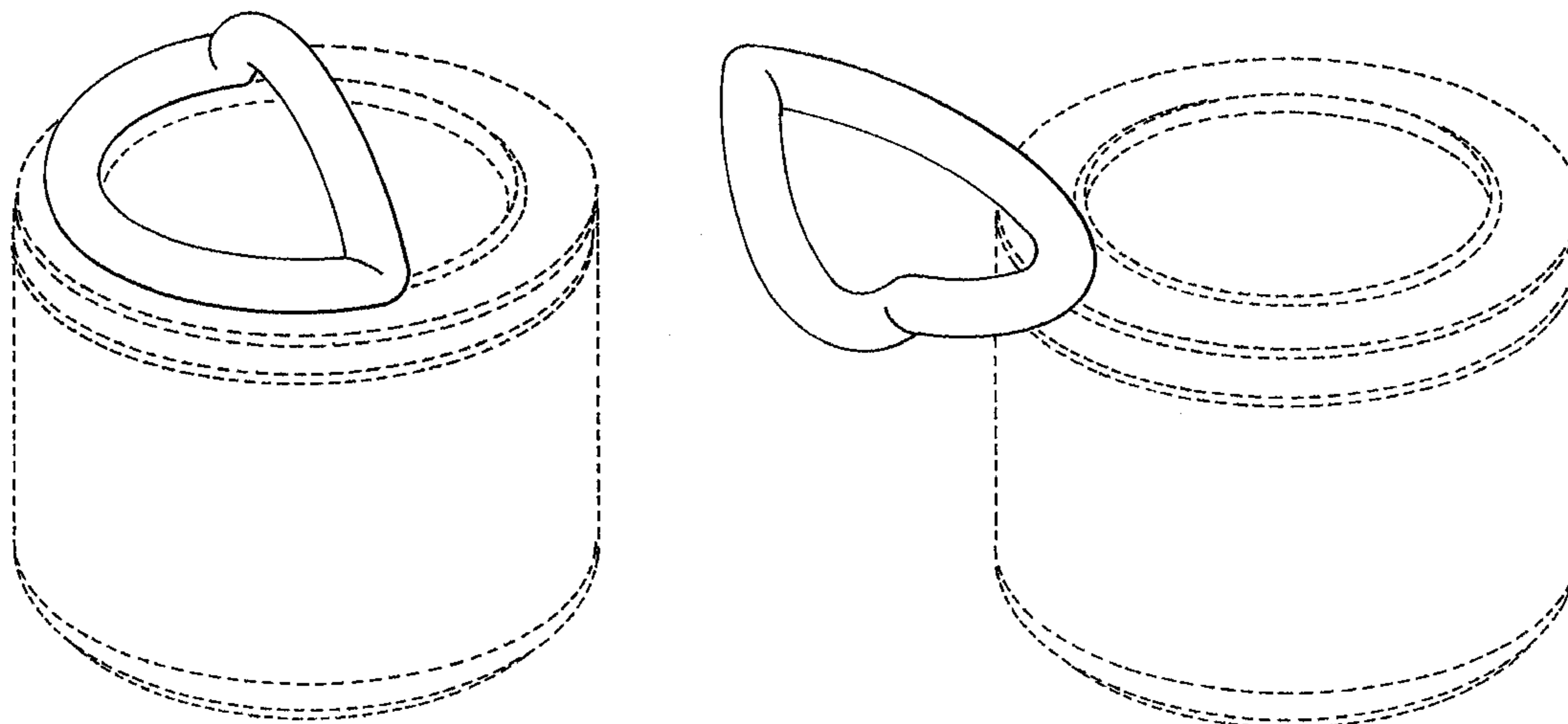
The ornamental design for a container pull handle, as shown and described.

DESCRIPTION

FIG. 1 is a perspective view of the container pull handle of my design;
FIG. 2 is a front elevation view of the container pull handle;
FIG. 3 is a rear elevation view of the container pull handle;
FIG. 4 is a left side elevation view of the container pull handle, the right side elevation view being a mirror image thereof;
FIG. 5 is a top plan view of the container pull handle;
FIG. 6 is a bottom plan view of the container pull handle, in which the environmental material rendered in broken lines of the other views has been omitted for clarity; and,
FIG. 7 is a perspective view of the container pull handle from the same vantage point as FIG. 1, in which the handle has been rotated about an exemplary connection point with the container to which it may be attached, in order to show an underside thereof.

The broken lines in the figures represent an exemplary container to which the container pull handle may be attached and/or which may be carried by use of the container pull handle, but forms no part of the claimed design.

1 Claim, 4 Drawing Sheets



US D657,188 S

Page 2

FOREIGN PATENT DOCUMENTS

WO WO 2004/073474 A1 9/2004
WO WO 2005/115209 A1 12/2005

WO WO 2007/128153 A1 11/2007
WO WO 2007/128154 A1 11/2007

* cited by examiner

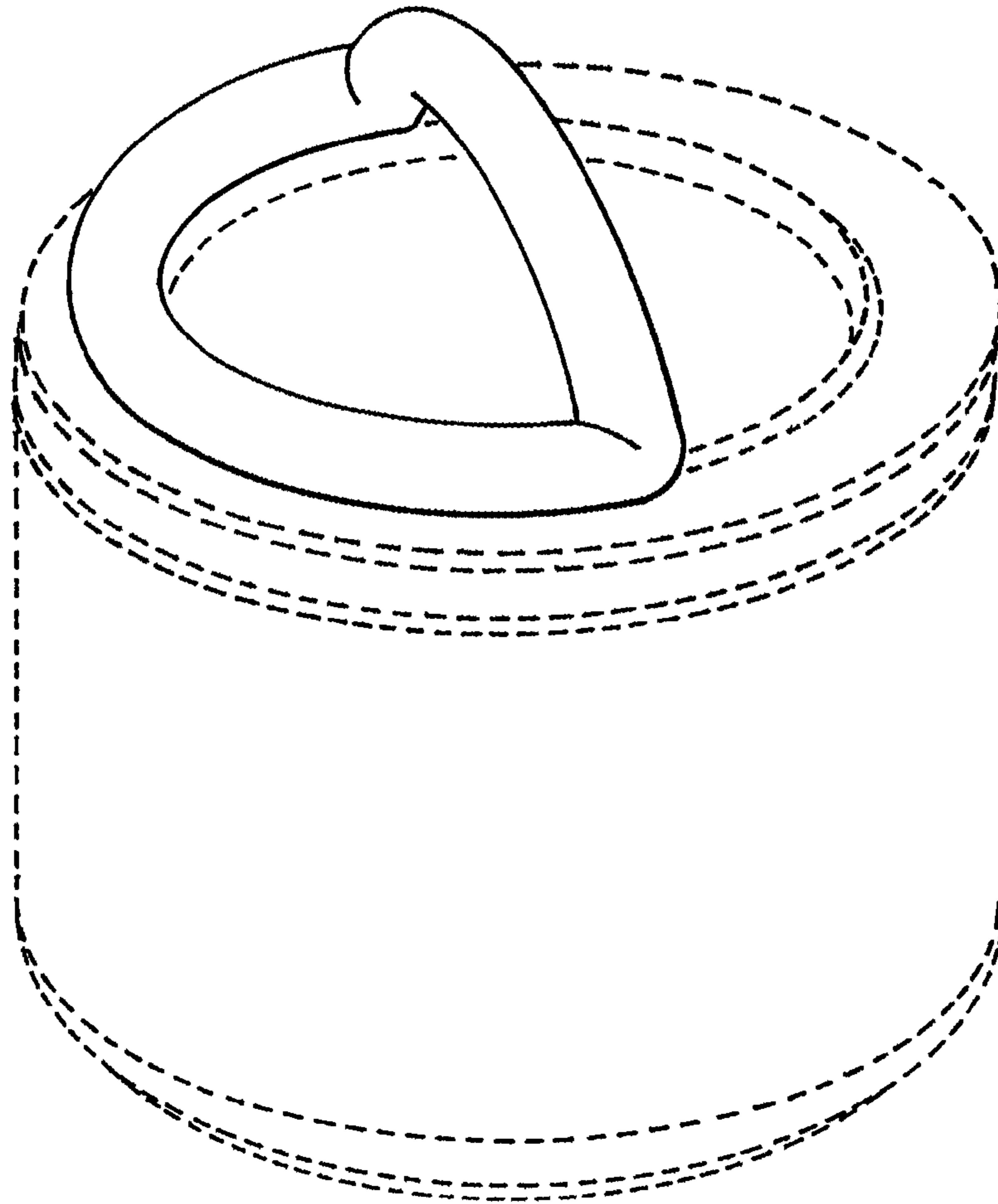


Fig. 1

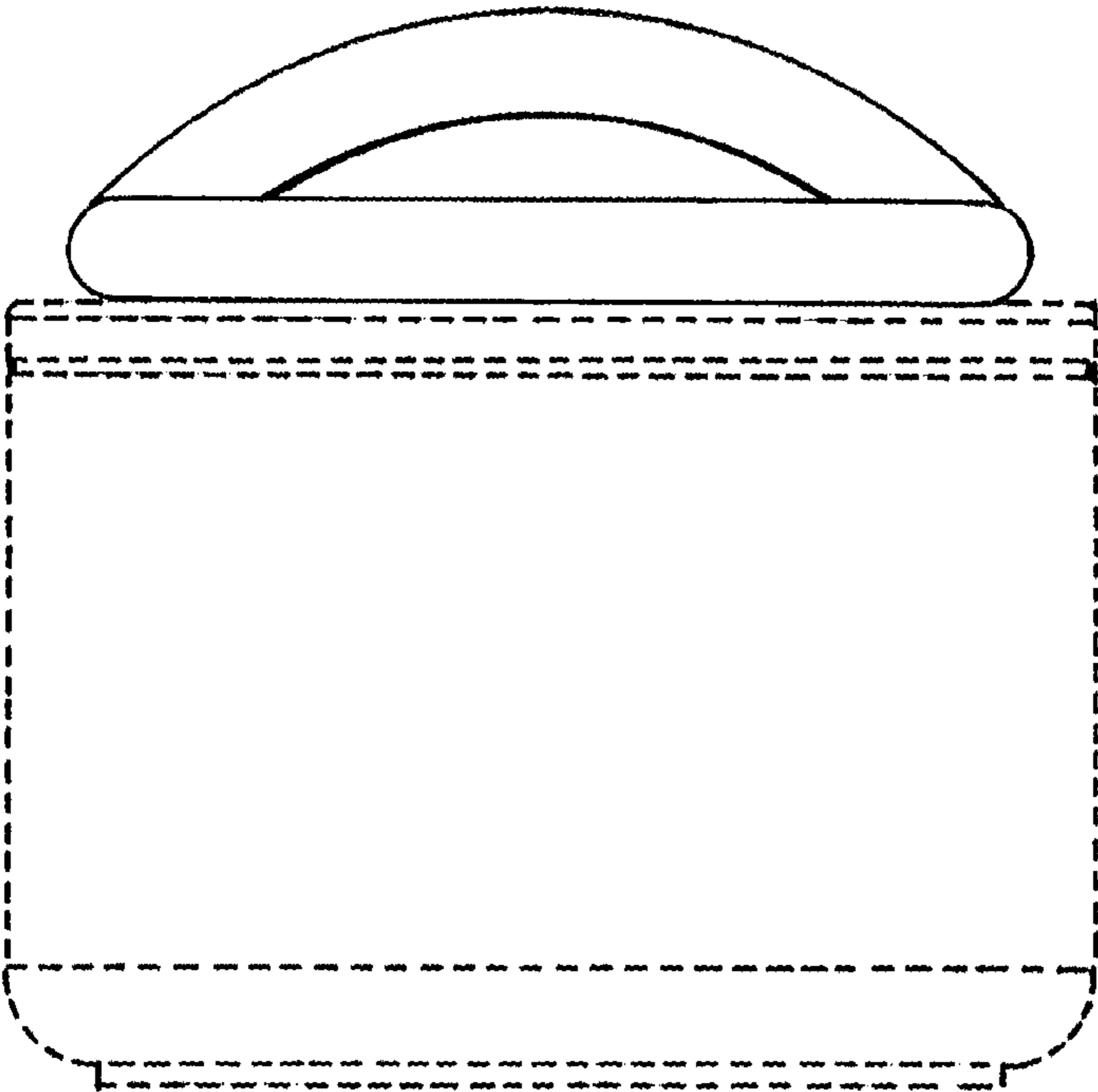


Fig. 2

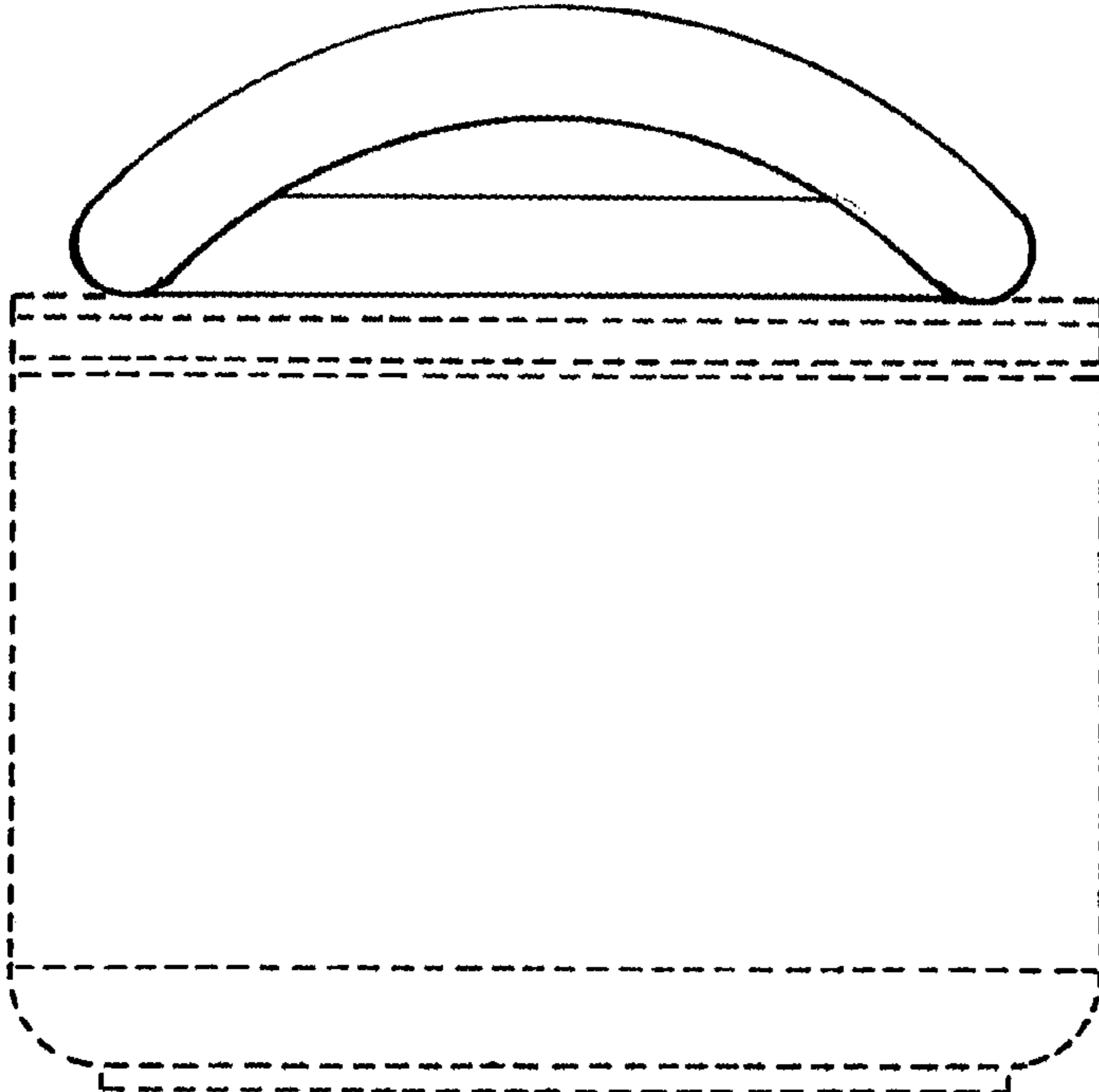


Fig. 3

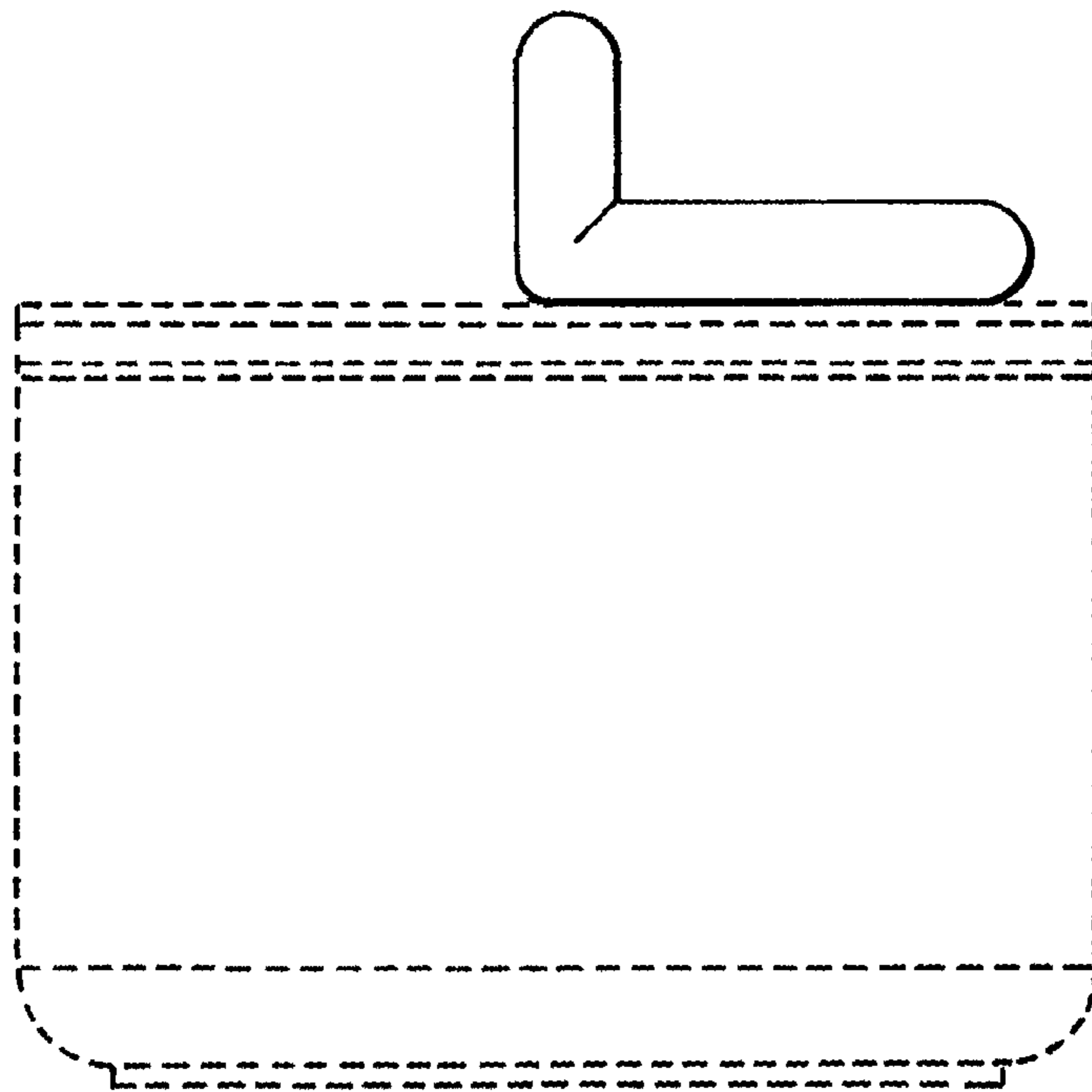


Fig. 4

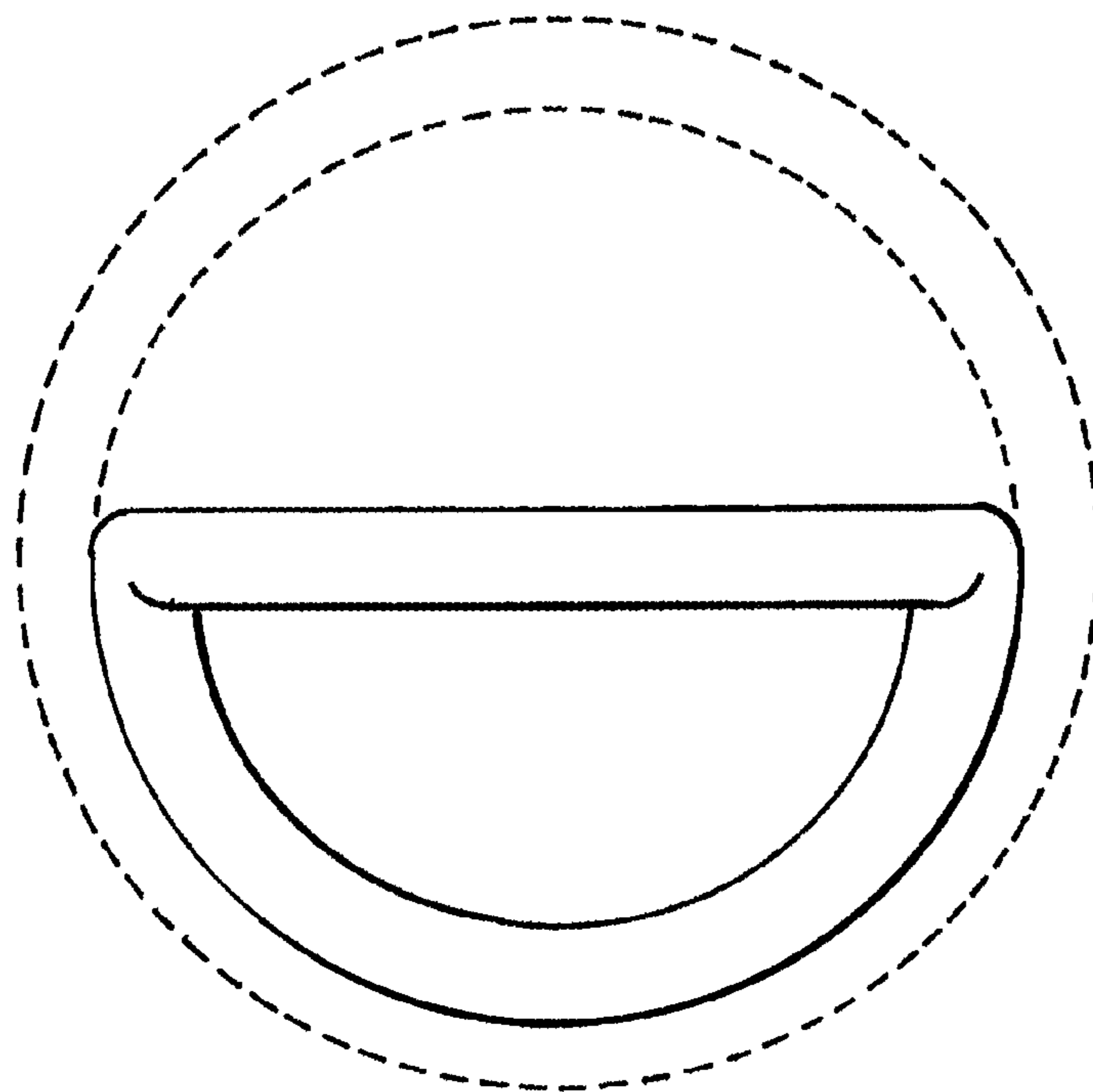


Fig. 5

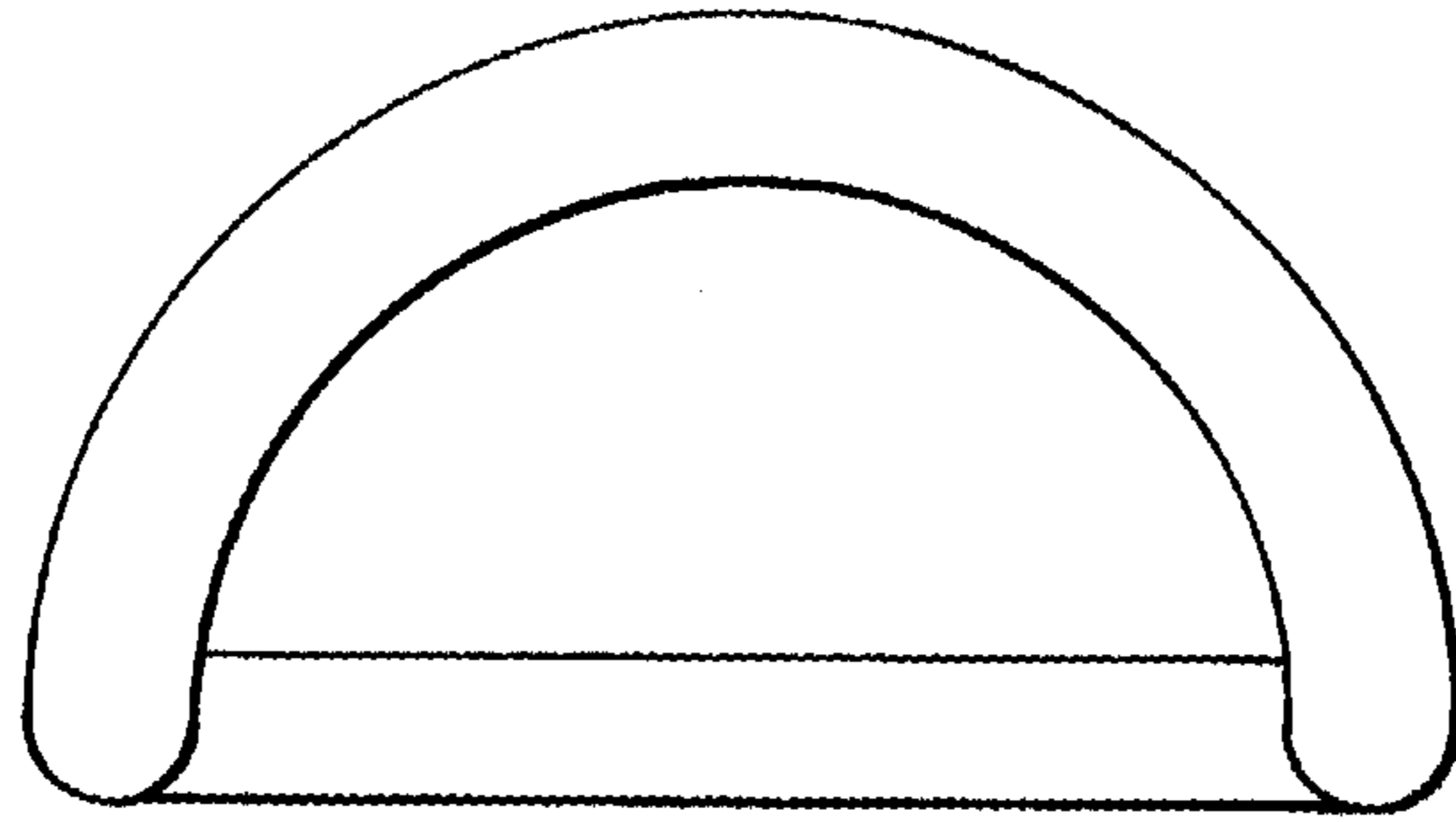


Fig. 6

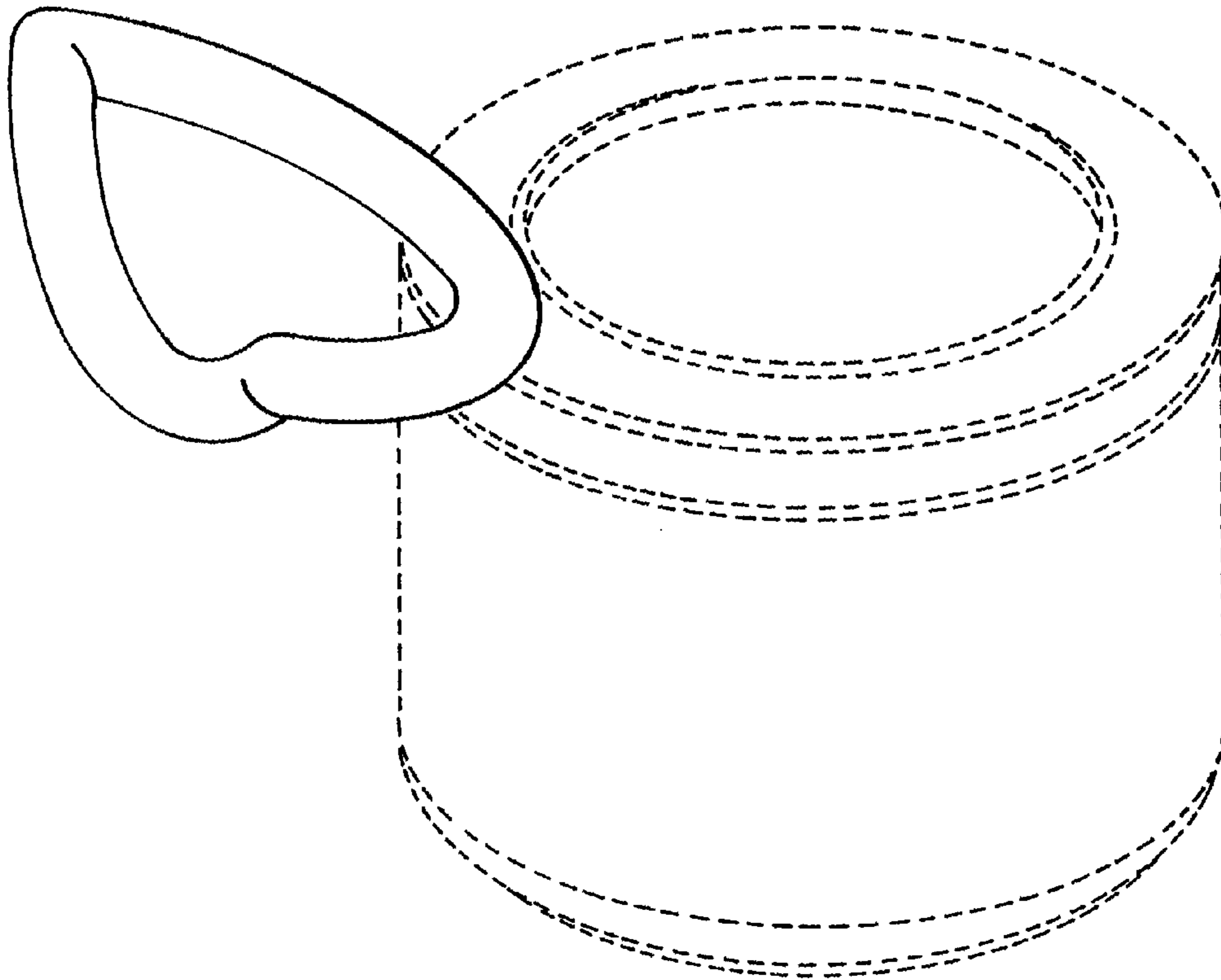


Fig. 7