



US00D657187S

(12) **United States Design Patent**
Schneider et al.

(10) **Patent No.:** **US D657,187 S**

(45) **Date of Patent:** **** *Apr. 10, 2012**

(54) **PIE PAN WITH REMOVABLE ACCESS PANEL**

(76) Inventors: **Michael Schneider**, Marina Del Rey,
CA (US); **Ken Bagdasarian**, Whittier,
CA (US)

(*) Notice: This patent is subject to a terminal disclaimer.

(**) Term: **14 Years**

(21) Appl. No.: **29/396,741**

(22) Filed: **Jul. 6, 2011**

(51) **LOC (9) Cl.** **07-02**

(52) **U.S. Cl.** **D7/354**

(58) **Field of Classification Search** D7/323,
D7/329-332, 337, 339, 346-347, 350.1-350.4,
D7/354-363, 391, 393, 395, 402, 409, 538,
D7/542-545, 554.2, 552.2, 566, 570, 584-587,
D7/601, 610, 667; D30/123, 129; 99/279,
99/324-325, 330-332, 337-340, 369, 403-425,
99/444, 450; 126/25 A, 41 R, 275 R, 380.1,
126/390.1; 206/501-505, 507-508; 219/400,
219/405, 435-442, 620-624, 725, 730-735,
219/754-755; 220/4.26, 485, 491, 573.1-573.5,
220/574, 607, 658, 676, 759, 771, 912; 229/110,
229/406; 249/61, 127, 163; 426/438, 441,
426/523

See application file for complete search history.

(56) **References Cited**

U.S. PATENT DOCUMENTS

D32,025 S * 12/1899 Strugnell D7/566
1,668,101 A * 5/1928 Bothe 229/406
2,170,040 A * 8/1939 Stuart 220/574
D123,504 S * 11/1940 Kollman D7/570
2,259,854 A * 10/1941 Langel 249/163

2,584,379 A 2/1952 Chmielewski
2,606,651 A 8/1952 Bencich
3,327,921 A * 6/1967 Baughan 229/110
3,412,927 A 11/1968 Baur
3,580,484 A 5/1971 Schneider
D282,998 S * 3/1986 Ransom D7/584
4,801,075 A 1/1989 Weber et al.
5,129,521 A 7/1992 Irigoite et al.
D352,368 S * 11/1994 Gryzlak D30/123
5,381,905 A 1/1995 Mallmamm et al.
5,407,075 A 4/1995 Descalzo

(Continued)

Primary Examiner — Ricky Pham

(74) *Attorney, Agent, or Firm* — Connolly Bove Lodge & Hutz LLP

(57) **CLAIM**

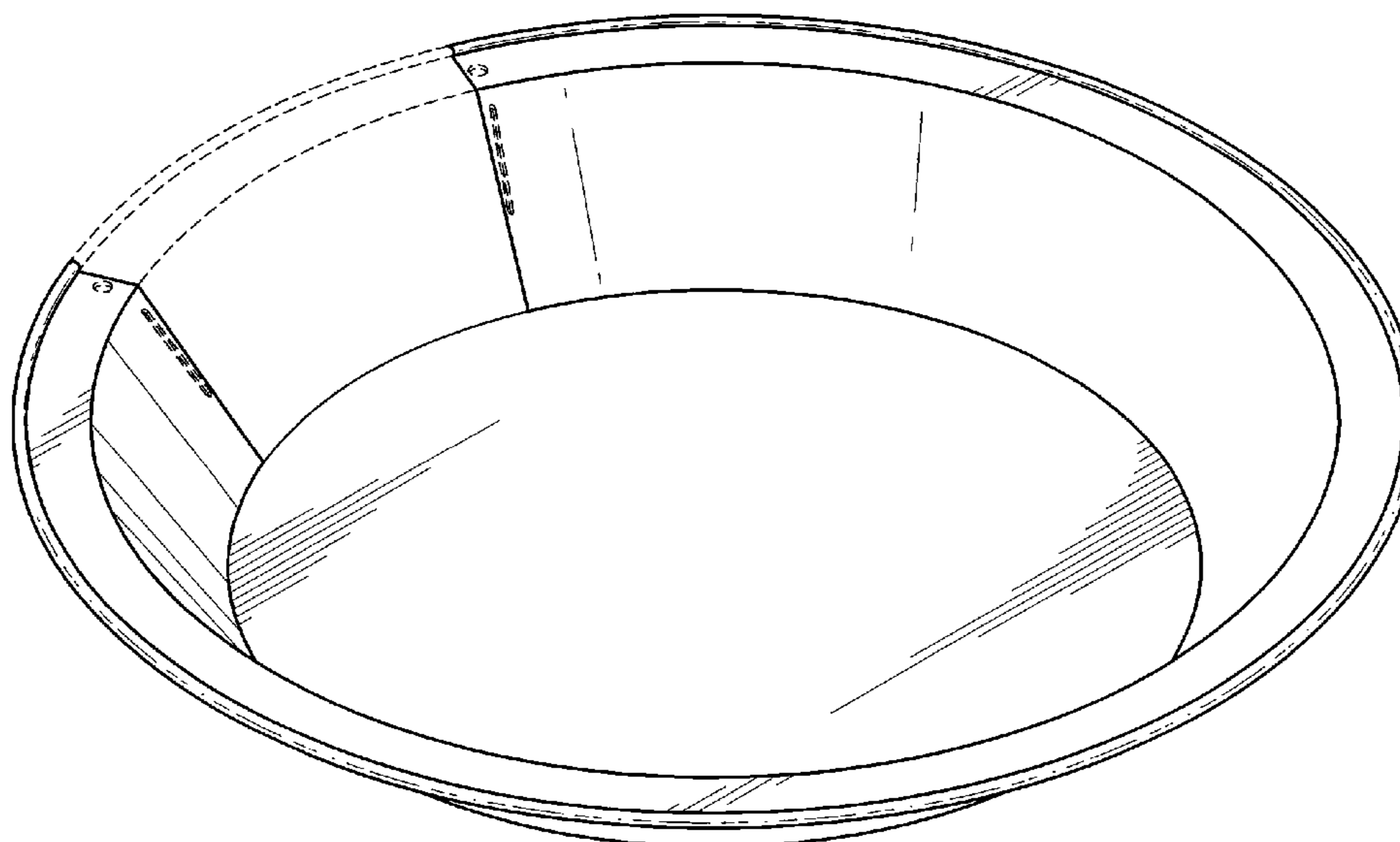
The ornamental design for pie pan with removable access panel, as shown and described.

DESCRIPTION

FIG. 1 is a perspective view of the pie pan with the side removable access panel in the closed position; FIG. 2 is front view of the pie pan of FIG. 1; FIG. 3 a side view of the pie pan of FIG. 1; FIG. 4 is a rear view of the pie pan of FIG. 1; FIG. 5 is a top plan view of the pie pan of FIG. 1; FIG. 6 is a bottom plan view of the pie pan of FIG. 1; and FIG. 7 is a perspective view of the pie pan with the side access in the open position; and, FIG. 8 is a cross-sectional view along 8-8 of FIG. 5 showing the dimension of the mating portions of the removable access panel and the pie pan body.

The removable access panel in the pie pan depicted in FIGS. 1-8 by means of broken lines forms no part of the claimed design and is provided for illustrative purposes only.

1 Claim, 6 Drawing Sheets



US D657,187 S

Page 2

U.S. PATENT DOCUMENTS									
5,582,389	A *	12/1996	Greene	249/61	6,299,918	B1	10/2001	Morgese	
5,585,027	A *	12/1996	Young		6,481,593	B2 *	11/2002	Banhagel	220/676
D424,757	S *	5/2000	Cooper et al.	D30/129	7,913,970	B2 *	3/2011	Bennet et al.	249/127
6,149,006	A	11/2000	Brauner et al.		2003/0006273	A1	1/2003	Tsern et al.	
D438,050	S *	2/2001	Huntzinger	D7/354					

* cited by examiner

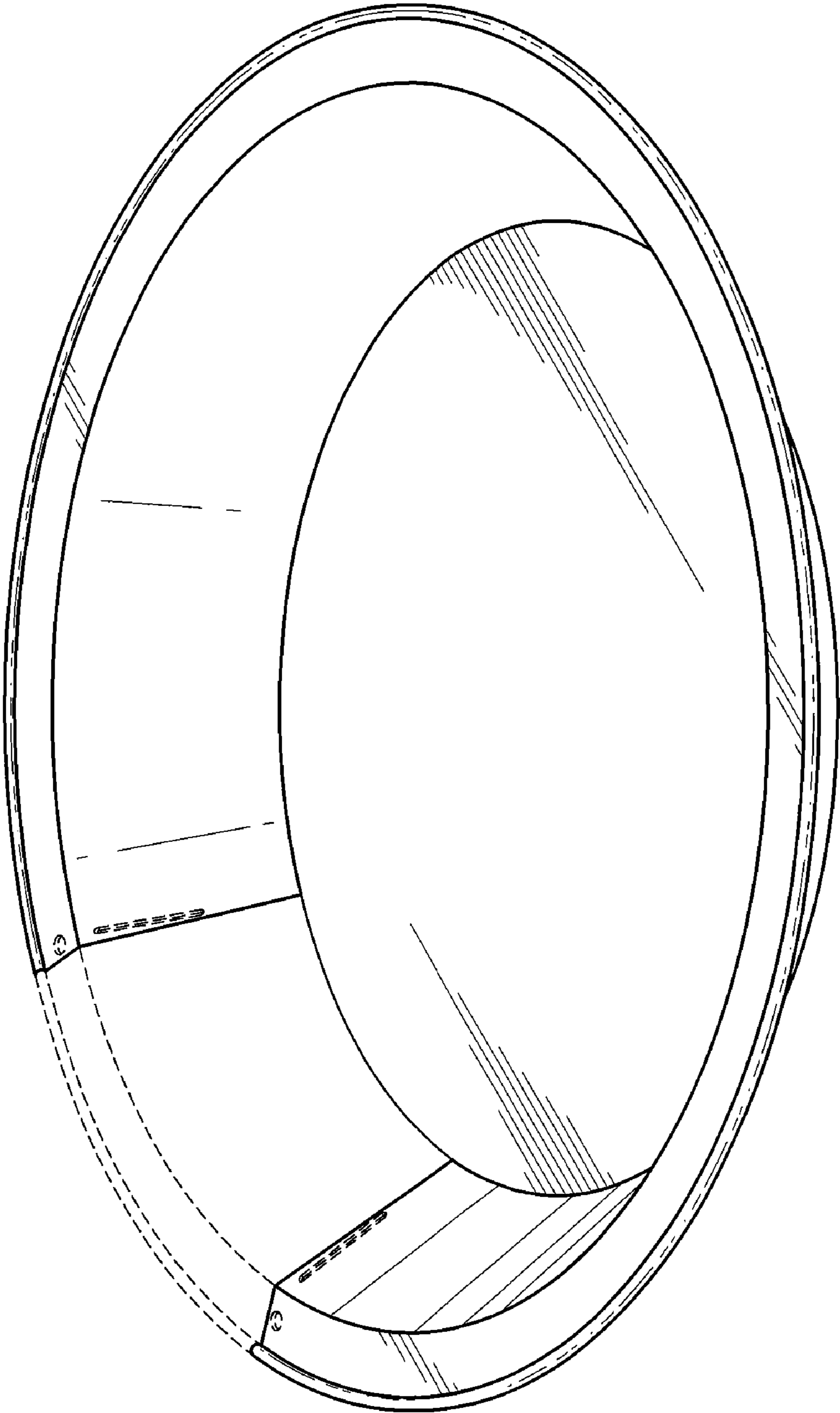


FIG. 1

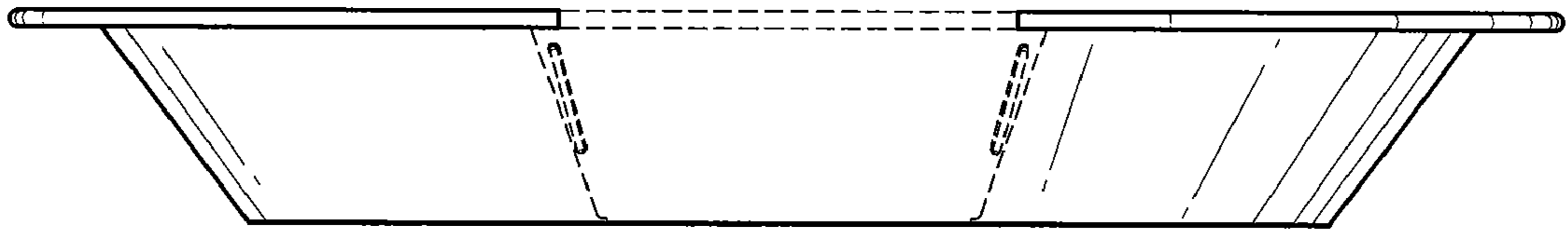


FIG. 2

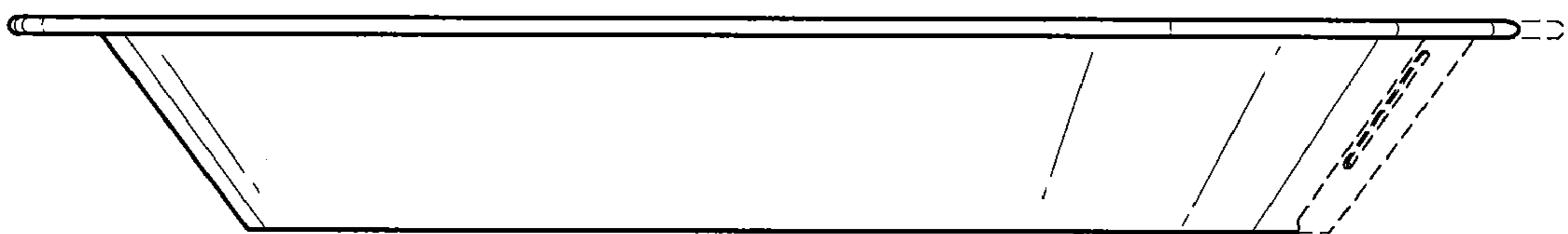


FIG. 3

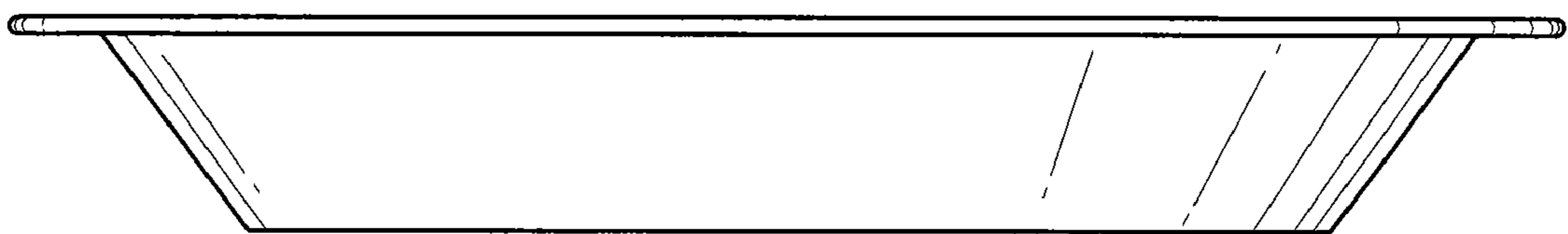


FIG. 4

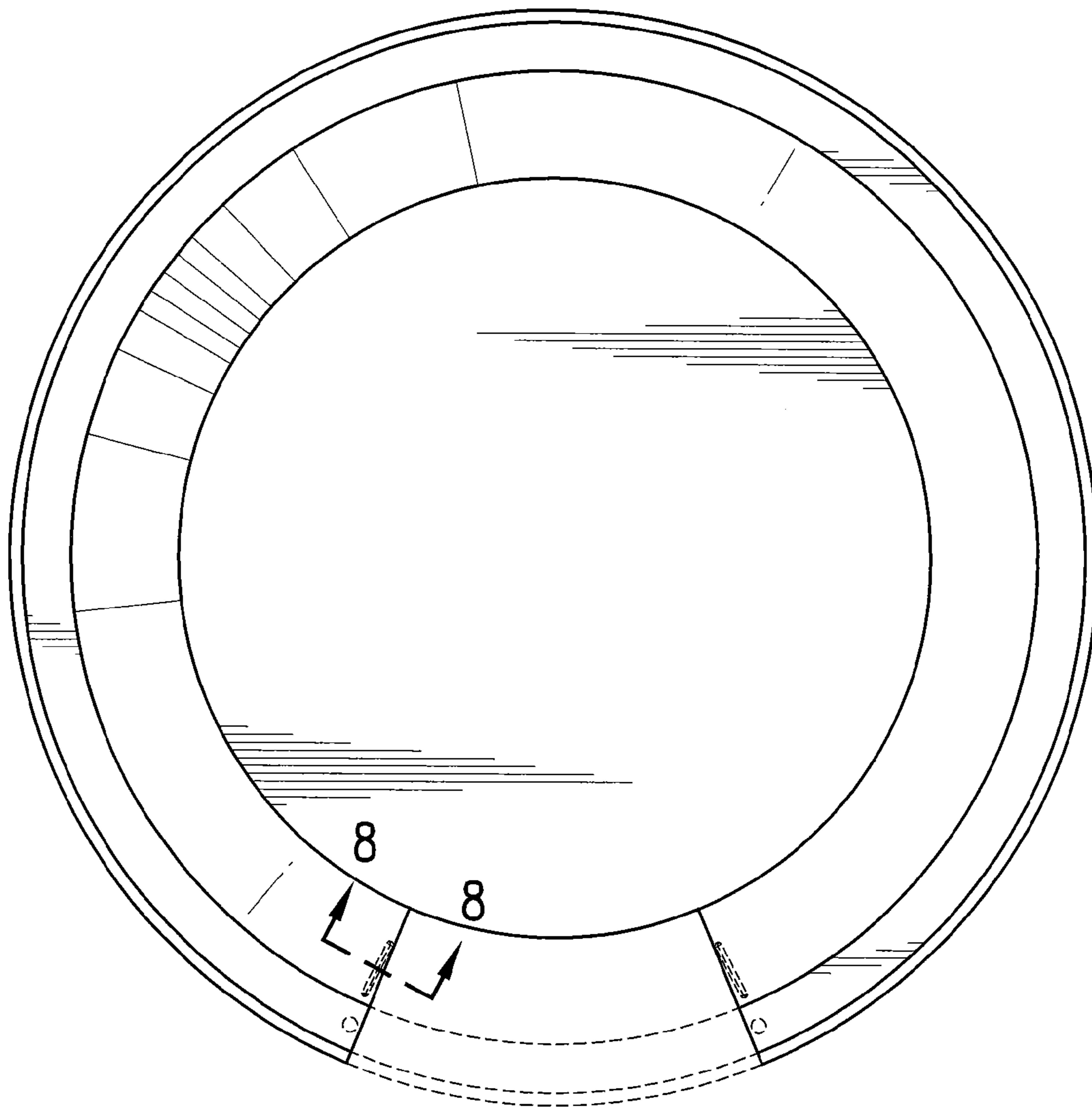


FIG. 5

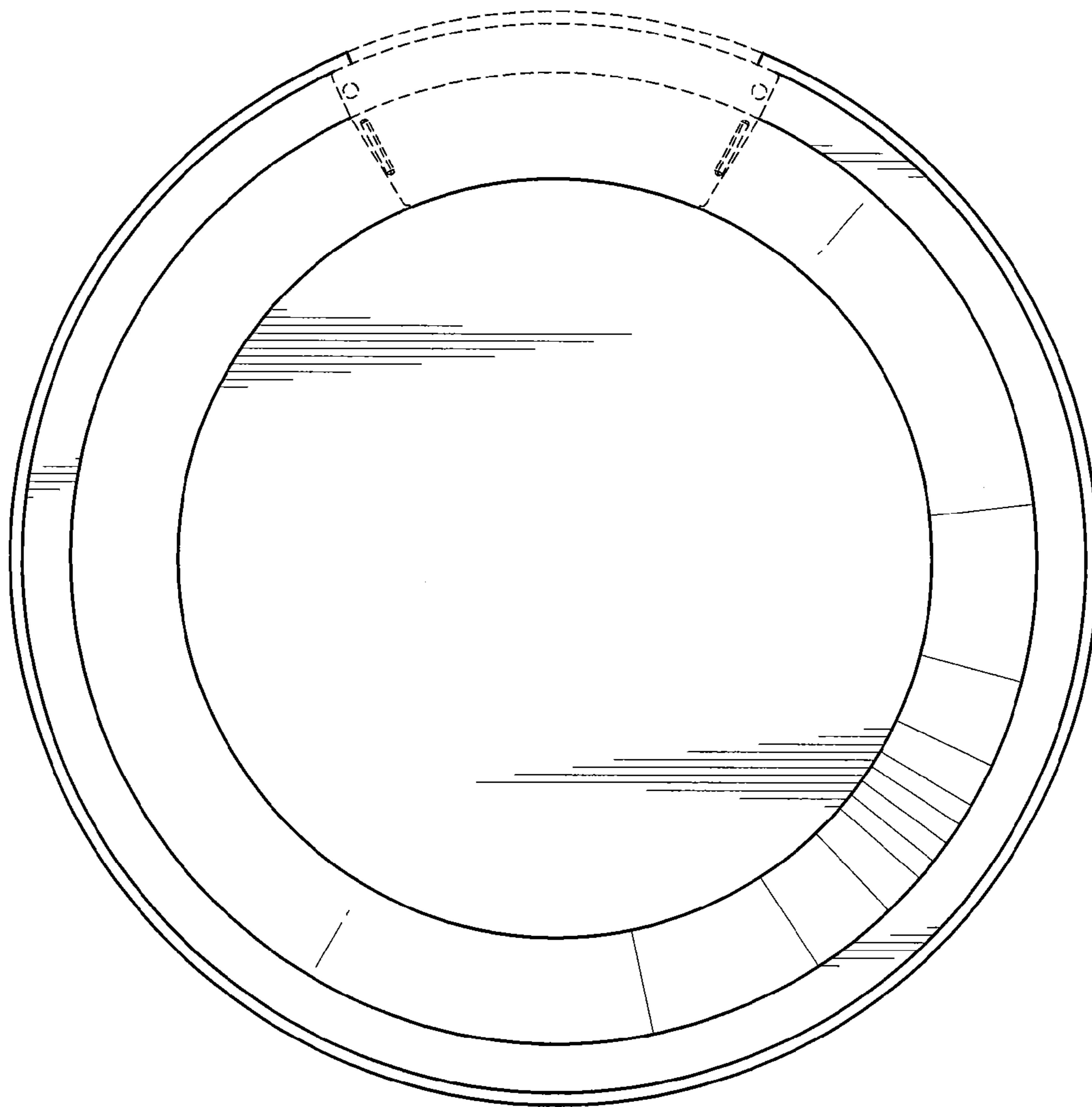


FIG. 6

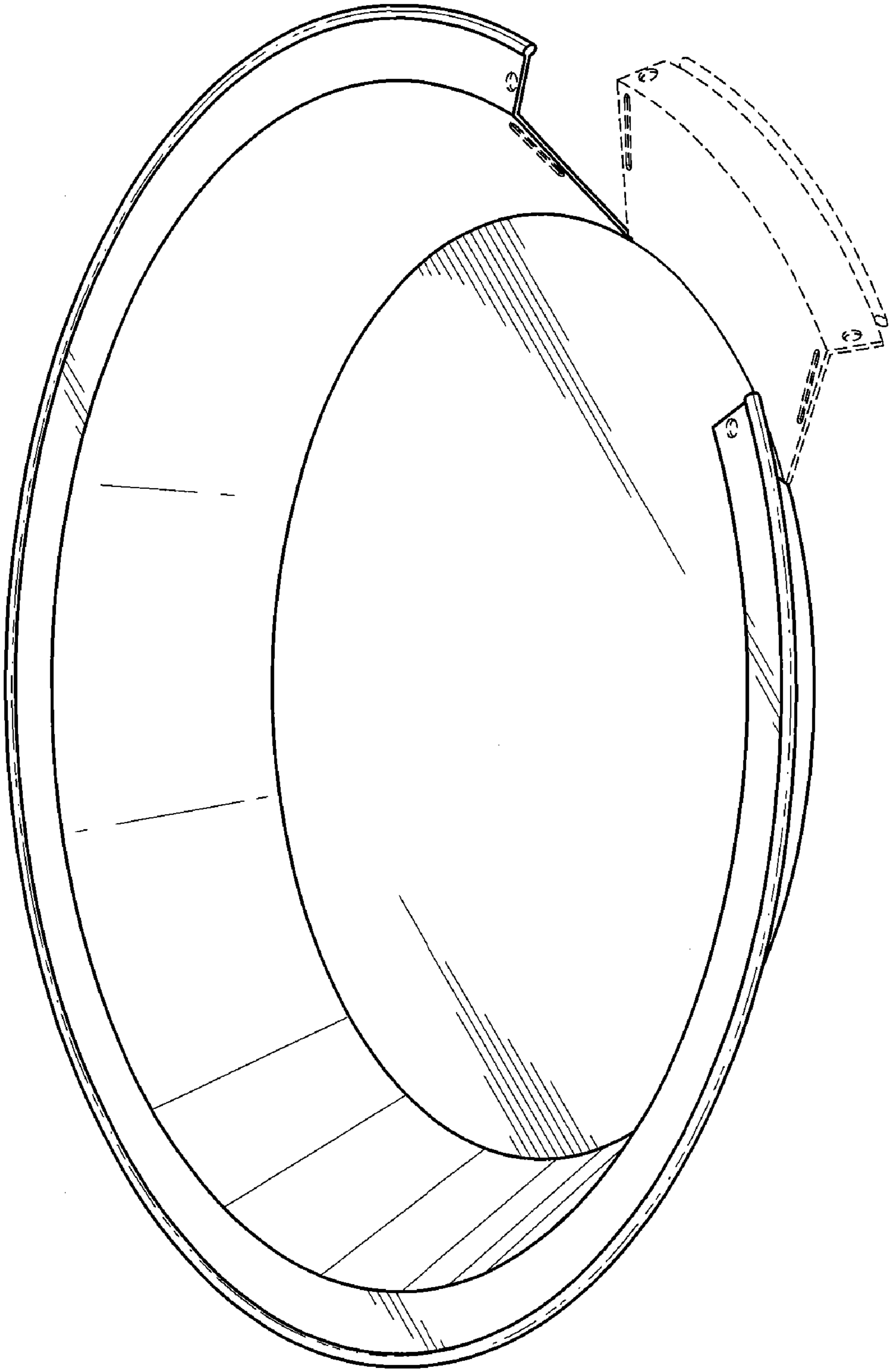


FIG. 7

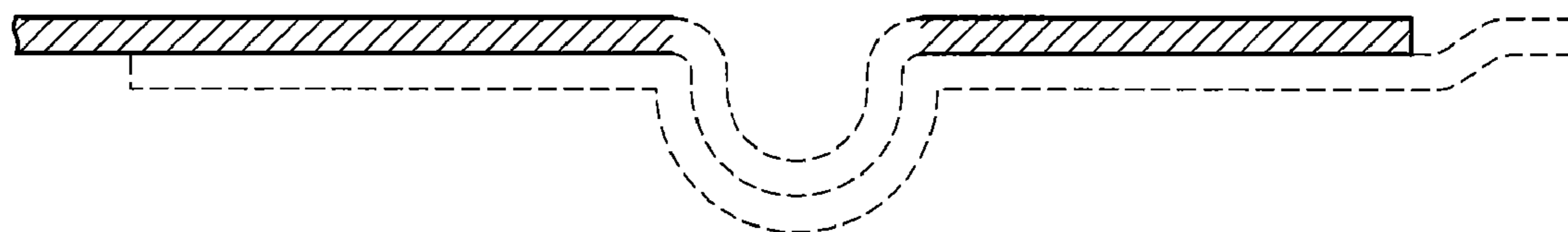


FIG. 8