



US00D657186S

(12) **United States Design Patent**
Ohmae et al.

(10) **Patent No.:** **US D657,186 S**
(45) **Date of Patent:** **** Apr. 10, 2012**

- (54) **MICROWAVE OVEN**
- (75) Inventors: **Ken Ohmae**, Shiga (JP); **Muneyuki Nagai**, Nara (JP); **Haruka Ohno**, Kyoto (JP)
- (73) Assignee: **Panasonic Corporation**, Osaka (JP)
- (**) Term: **14 Years**

D531,447 S *	11/2006	Lee et al.	D7/350.4
D532,645 S *	11/2006	Lee	D7/351
D545,611 S *	7/2007	Sakata	D7/351
D577,246 S *	9/2008	Kikumoto	D7/351
D579,270 S *	10/2008	Green et al.	D7/405
D582,211 S	12/2008	Green	
D583,614 S *	12/2008	Chung et al.	D7/351
D599,163 S *	9/2009	Oomae	D7/351
D632,125 S *	2/2011	Kim et al.	D7/351
D633,326 S *	3/2011	Shin et al.	D7/351

* cited by examiner

- (21) Appl. No.: **29/392,426**
 - (22) Filed: **May 20, 2011**
 - (51) **LOC (9) Cl.** **07-02**
 - (52) **U.S. Cl.** **D7/351**
 - (58) **Field of Classification Search** D7/350.1, D7/350.3, 350.4, 351, 402, 403, 405, 406; 219/756, 757, 758, 391; 126/19 M, 21 A, 126/275 E; 99/352
- See application file for complete search history.

Primary Examiner — Ruth McInroy
(74) *Attorney, Agent, or Firm* — Brinks Hofer Gilson & Lione

(57) **CLAIM**
We claim the ornamental design for a microwave oven, as shown and described.

DESCRIPTION

FIG. 1 is a front perspective view of a microwave oven of the present invention;
FIG. 2 is a front view thereof;
FIG. 3 is a rear view thereof;
FIG. 4 is a first side view thereof;
FIG. 5 is a second side view thereof;
FIG. 6 is a top view thereof; and,
FIG. 7 is a bottom view thereof.

- (56) **References Cited**
- U.S. PATENT DOCUMENTS
- D437,179 S * 2/2001 Ozaki et al. D7/351
- D452,410 S 12/2001 Ichimura
- D476,521 S * 7/2003 Fukuda et al. D7/351
- D478,465 S * 8/2003 Kanza

1 Claim, 4 Drawing Sheets

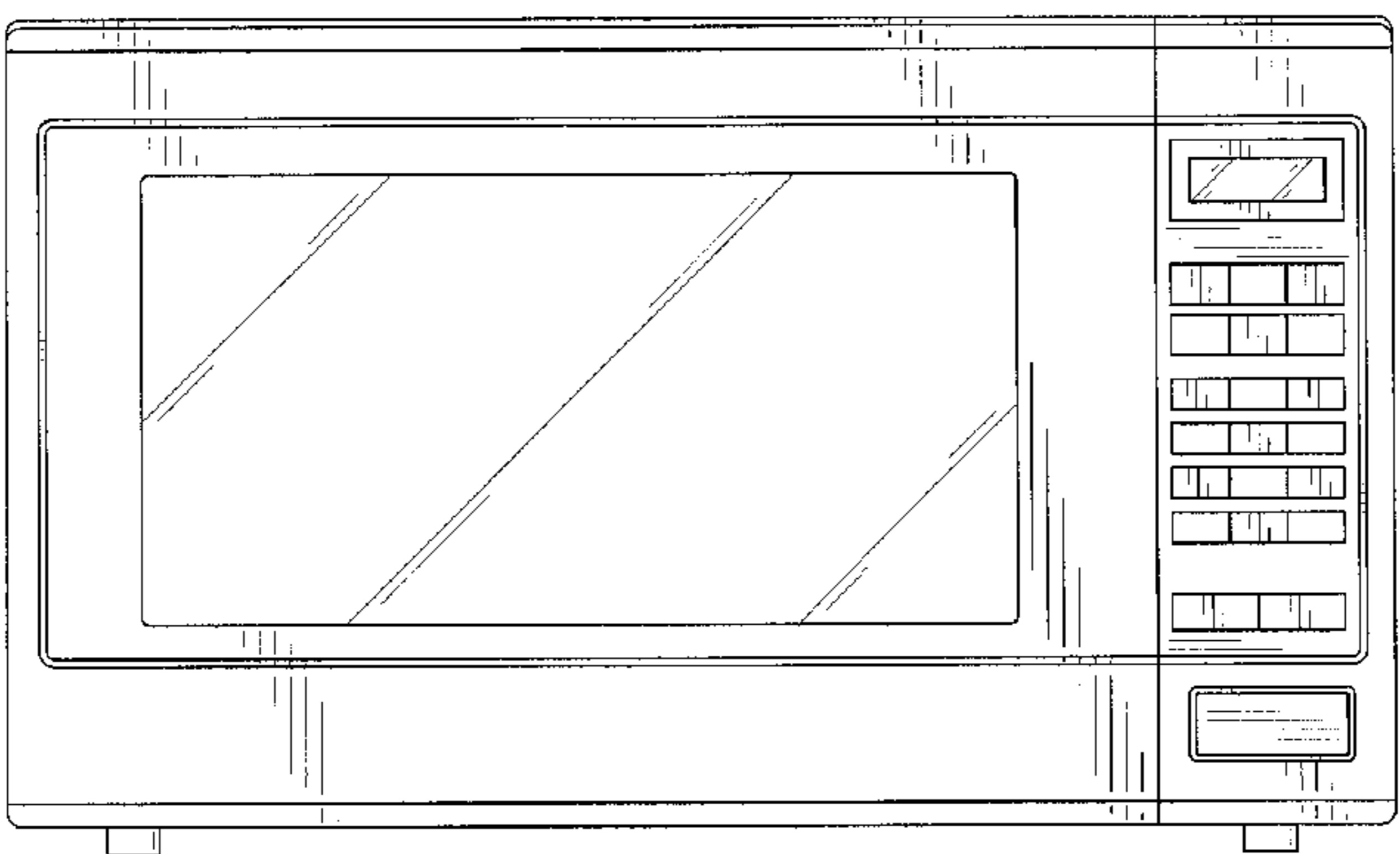
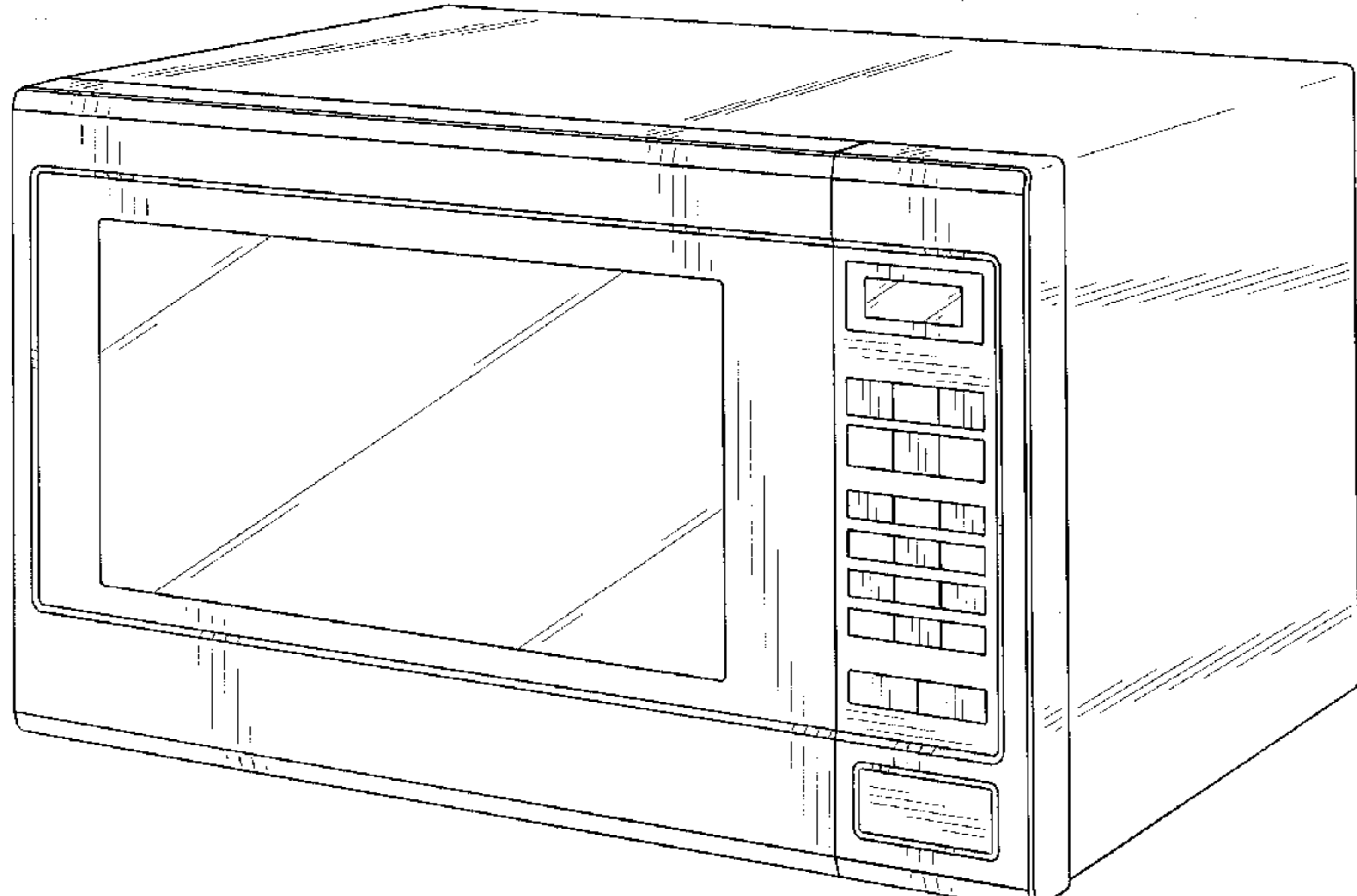


FIG.1

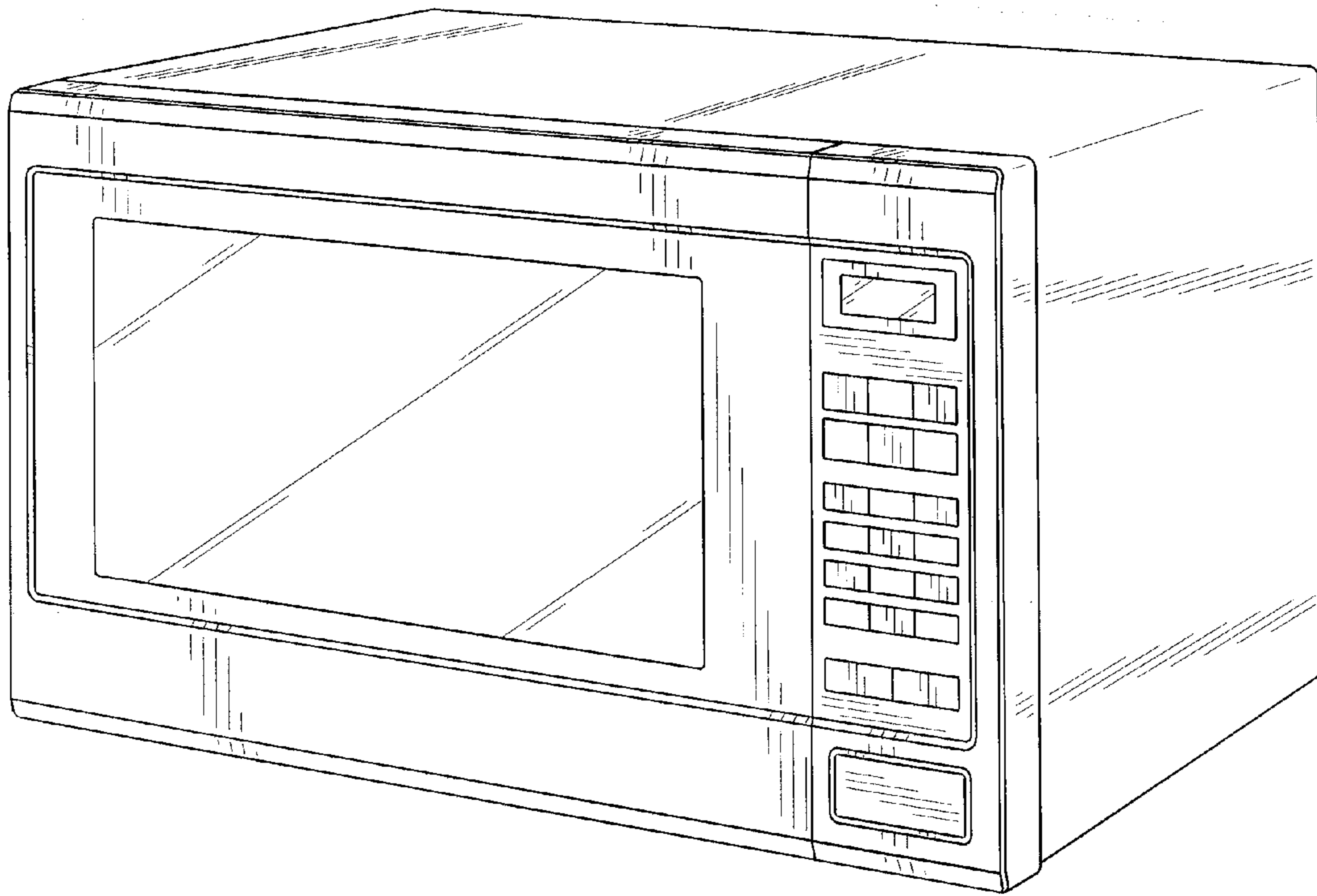


FIG.2

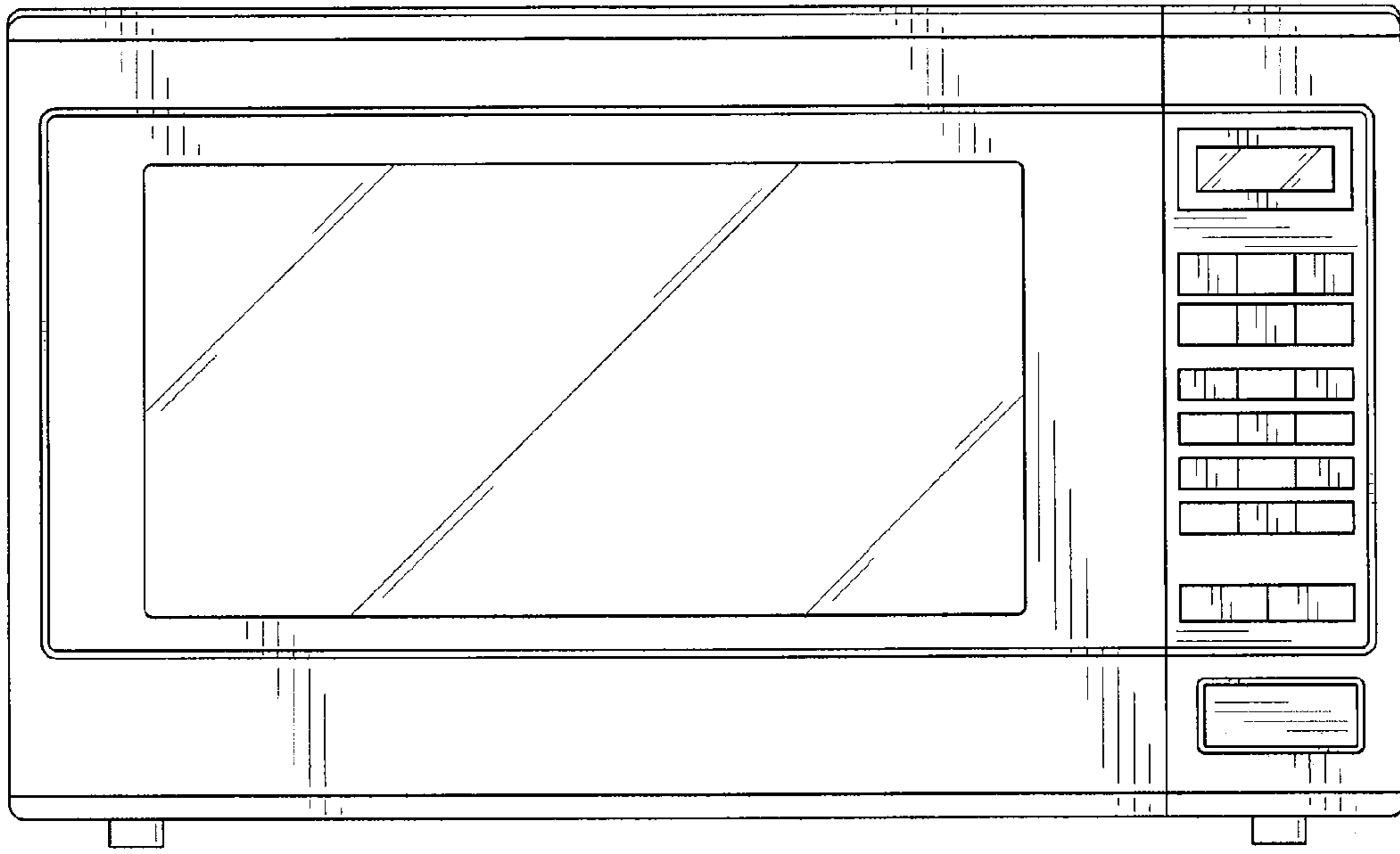


FIG.3

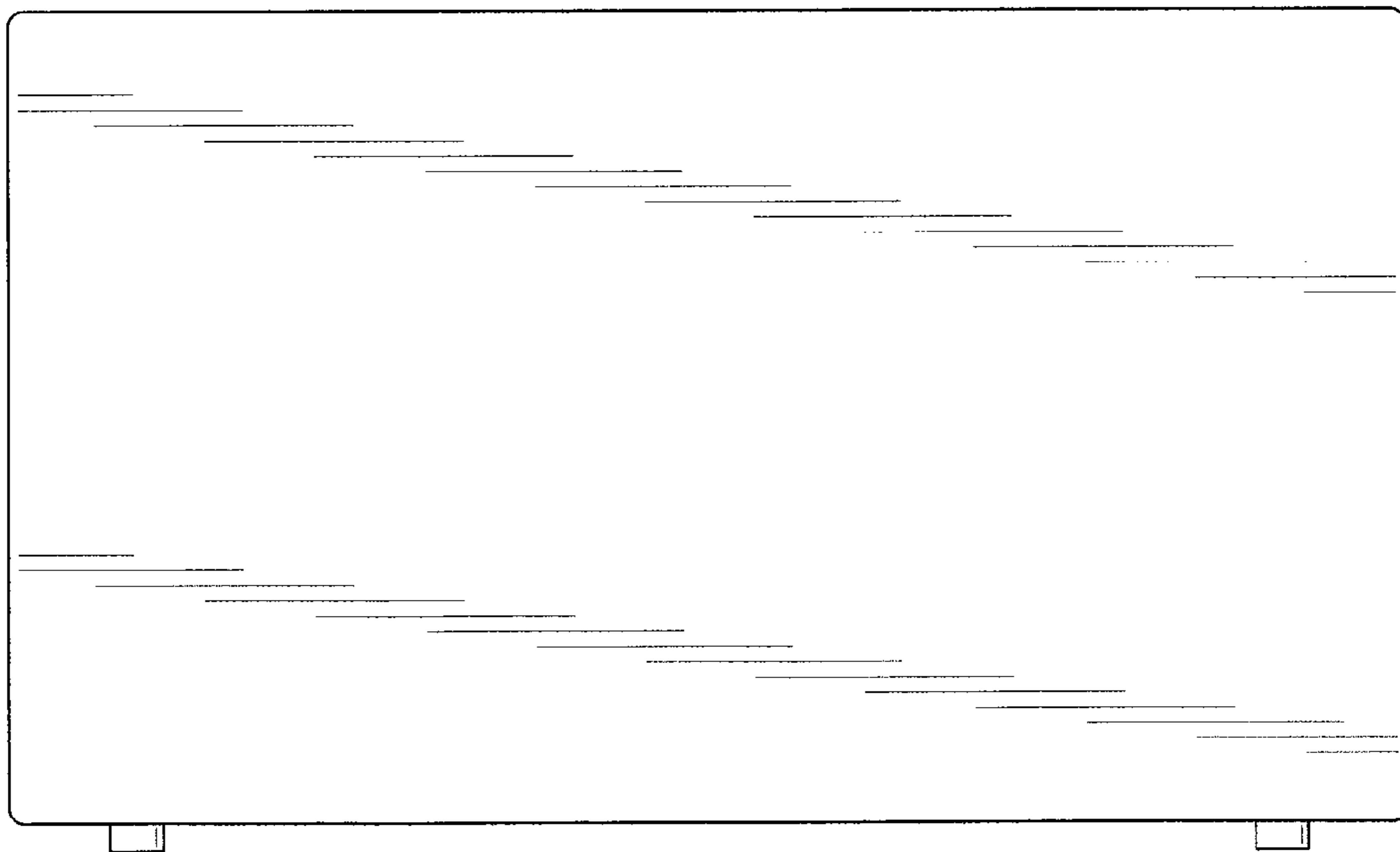


FIG.4

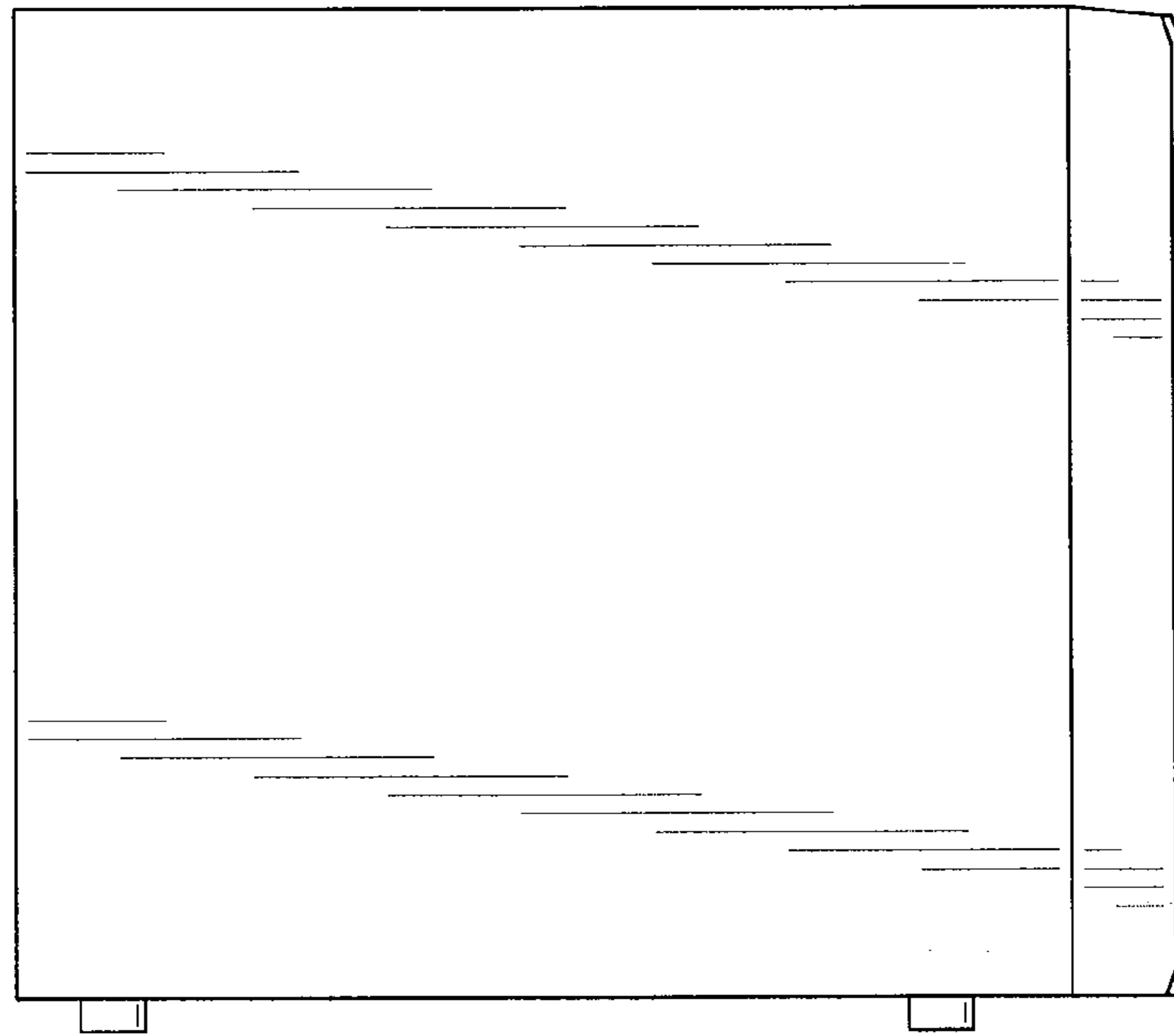


FIG.5

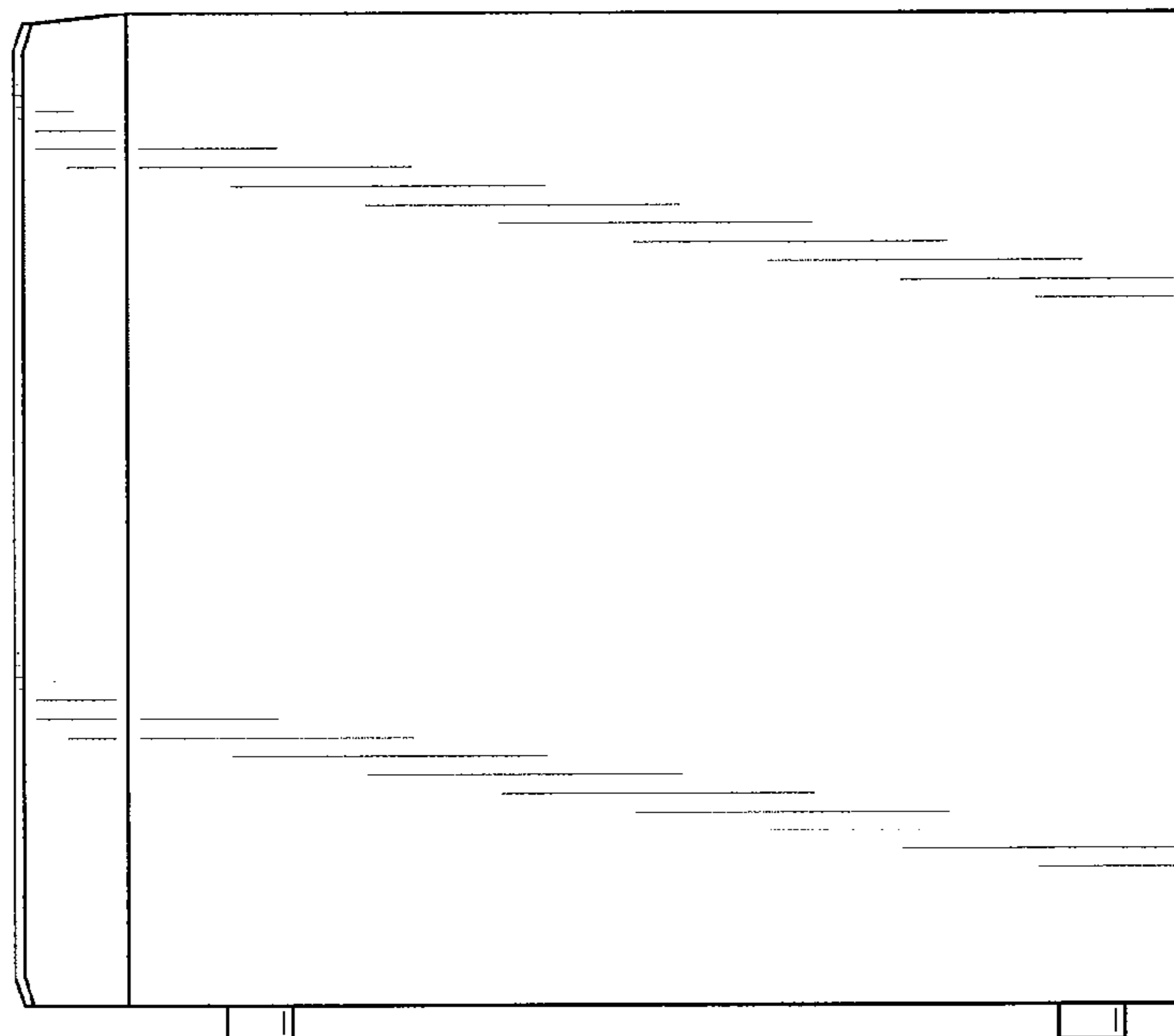


FIG.6

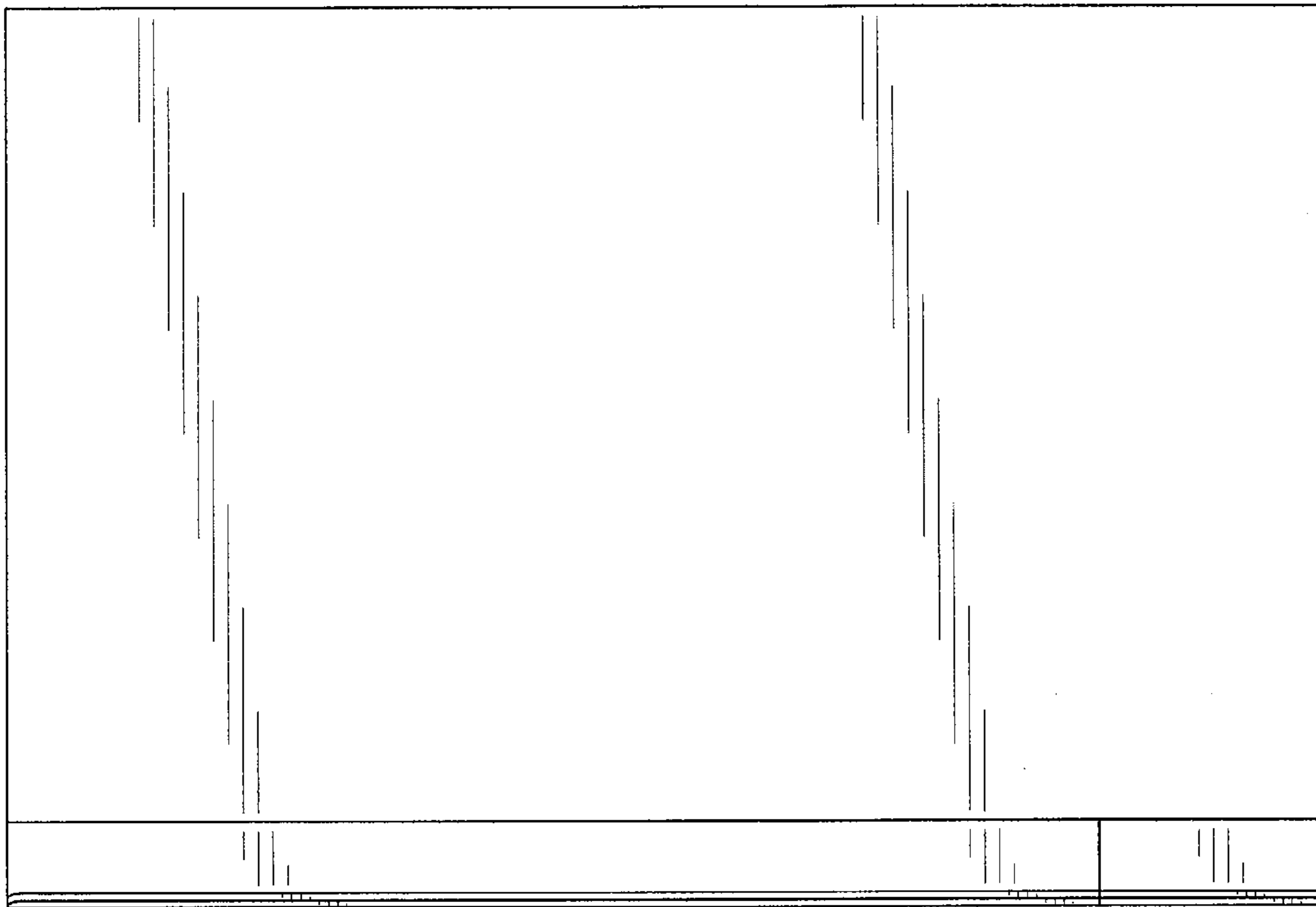


FIG.7

