



US00D657183S

(12) **United States Design Patent**
May

(10) **Patent No.:** **US D657,183 S**
(45) **Date of Patent:** **** Apr. 10, 2012**

(54) **GRILL**

(75) Inventor: **Randall May**, Plano, TX (US)

(73) Assignee: **The Brinkmann Corporation**, Dallas, TX (US)

(**) Term: **14 Years**

(21) Appl. No.: **29/389,321**

(22) Filed: **Apr. 8, 2011**

(51) **LOC (9) Cl.** **07-02**

(52) **U.S. Cl.** **D7/334**

(58) **Field of Classification Search** D7/332,
D7/334-337, 402-405, 338, 417; 126/25 R,
126/25 A, 25 AA, 25 B, 273 R, 9 R, 38, 40,
126/50, 9 B, 48, 29-30, 43-44, 26, 372, 314,
126/307 R, 312, 292; 99/339, 448, 449,
99/481-482, 516, 340-341; 431/331

See application file for complete search history.

D406,490 S	3/1999	Daniels et al.	
D417,359 S *	12/1999	Dutro et al.	D7/332
D426,101 S	6/2000	Pai	
D430,772 S	9/2000	Ganard	
D433,279 S	11/2000	Schlosser et al.	
D437,177 S	2/2001	Giebel et al.	
D450,215 S	11/2001	Wood et al.	
D450,216 S	11/2001	Wood et al.	
D454,276 S	3/2002	Pai	
D461,359 S	8/2002	Coleman et al.	
D462,227 S	9/2002	Alden et al.	
D462,562 S *	9/2002	Wood	D7/332
D465,123 S	11/2002	Coleman et al.	
D465,383 S *	11/2002	Mosher et al.	D7/402
D466,367 S	12/2002	Johnson et al.	
D466,756 S	12/2002	Bossler et al.	
D470,357 S	2/2003	Home	
D471,057 S	3/2003	Chung	
D472,756 S	4/2003	Pai	
D473,095 S *	4/2003	Nguyen	D7/334
D475,235 S	6/2003	Home	
D476,188 S	6/2003	Wood	
6,595,198 B2 *	7/2003	Mosher et al.	126/38
D478,463 S *	8/2003	Mouly	D7/334

(Continued)

(56) **References Cited**

U.S. PATENT DOCUMENTS

4,106,473 A *	8/1978	Wandel	126/25 R
D283,589 S	4/1986	Erlandson et al.	
D293,067 S	12/1987	Stephen et al.	
4,718,399 A	1/1988	Shepherd	
4,886,045 A	12/1989	Ducate, Jr. et al.	
D316,355 S	4/1991	Stephen et al.	
5,033,449 A	7/1991	Hanagan	
D324,622 S	3/1992	Baynes et al.	
5,109,834 A	5/1992	Collins et al.	
D337,021 S	7/1993	Boetto et al.	
5,242,703 A	9/1993	Stewart	
5,284,671 A	2/1994	Stewart	
5,327,879 A	7/1994	Ferraro	
D362,153 S	9/1995	Home	
5,782,166 A	7/1998	Lin	
D404,963 S	2/1999	Schlosser et al.	
D406,488 S	3/1999	Bates et al.	
D406,489 S	3/1999	Williams et al.	

Primary Examiner — Ruth McInroy

(74) *Attorney, Agent, or Firm* — Sheppard, Mullin, Richter & Hampton LLP

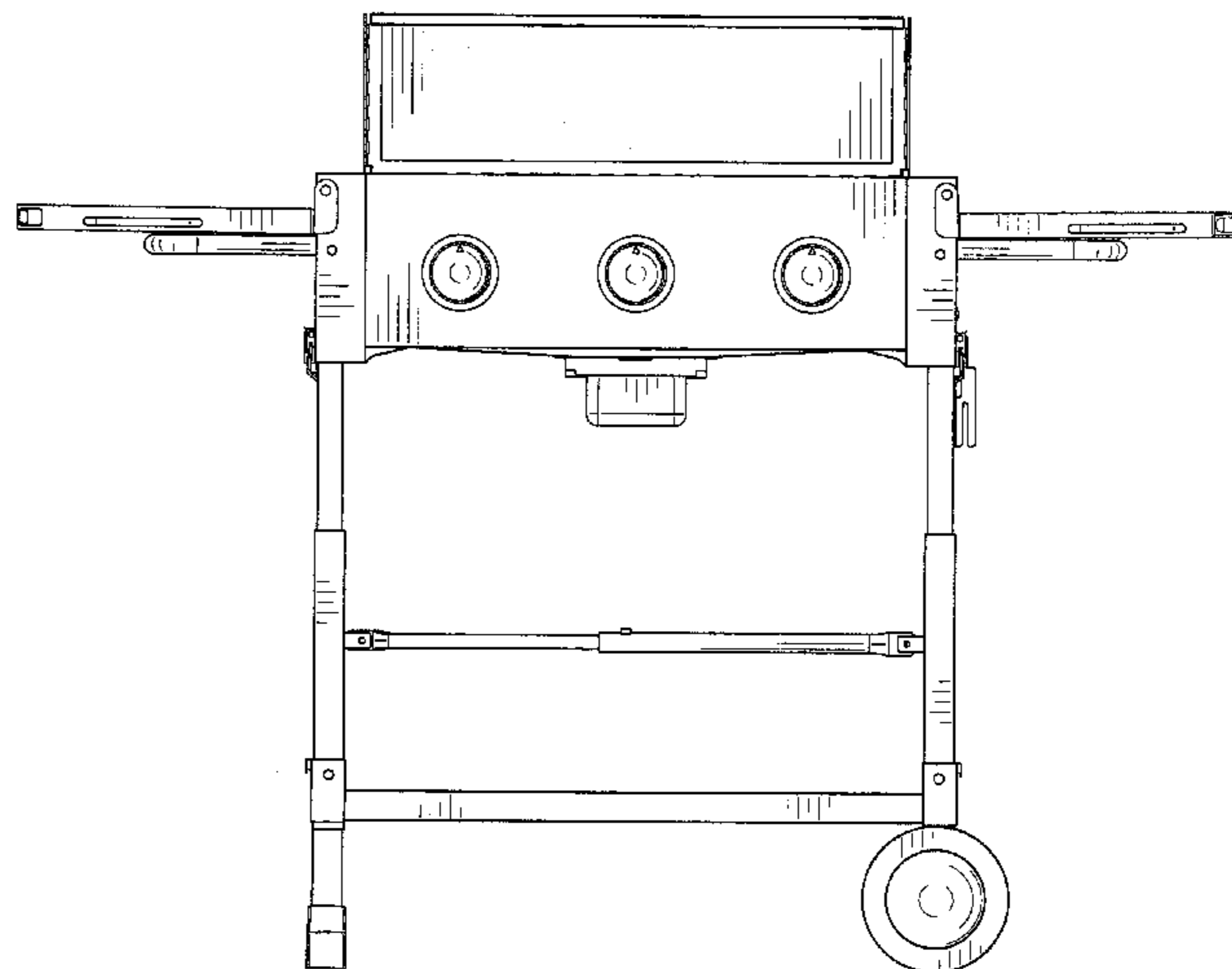
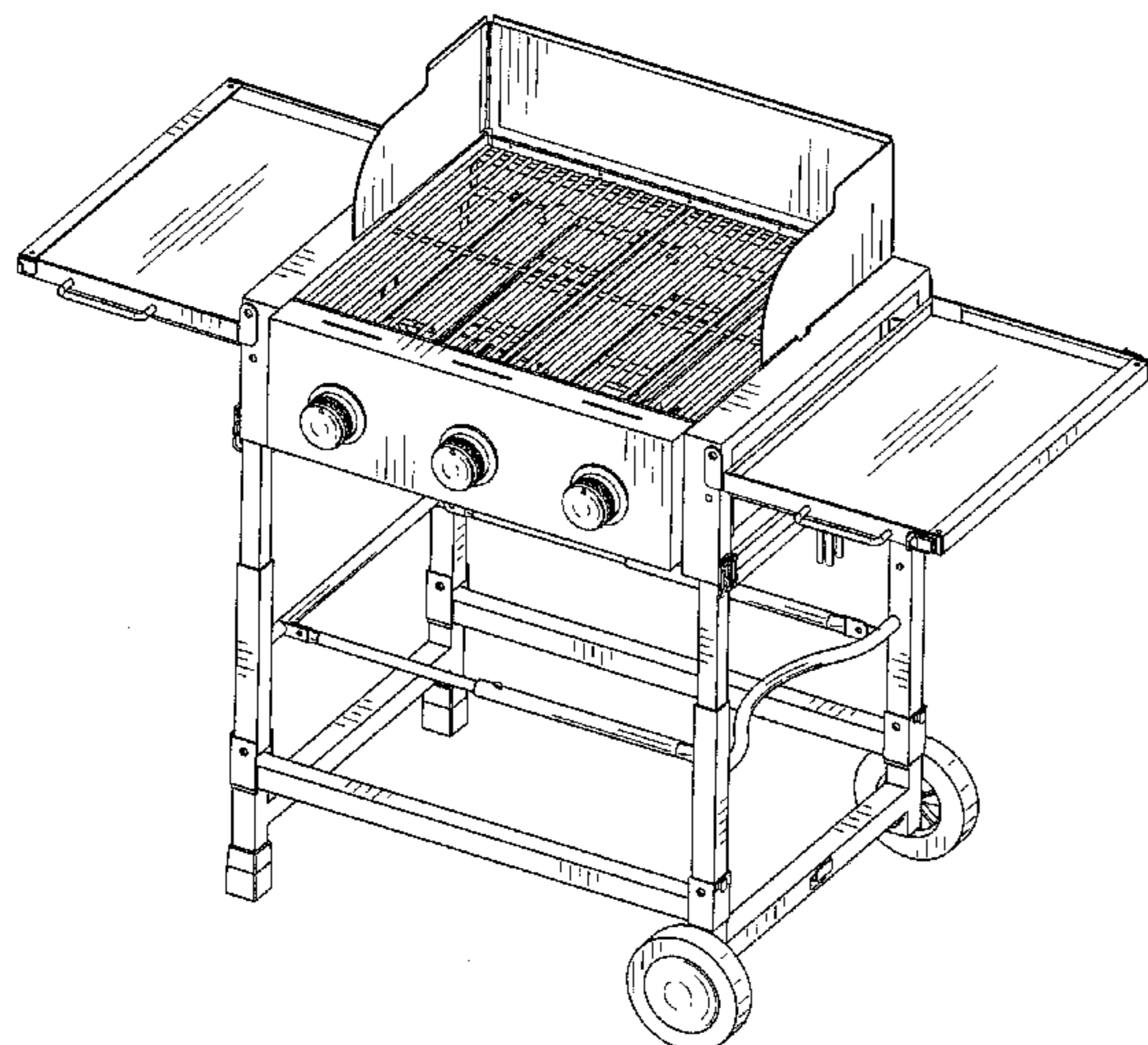
(57) **CLAIM**

I claim the ornamental design for a grill, as shown and described.

DESCRIPTION

FIG. 1 is a perspective view of the grill showing the new design;
FIG. 2 is a front elevational view thereof;
FIG. 3 is a rear elevational view thereof;
FIG. 4 is a right side elevational view thereof;
FIG. 5 is a left side elevational view thereof; and,
FIG. 6 is a top plan view thereof.

1 Claim, 6 Drawing Sheets



US D657,183 S

Page 2

U.S. PATENT DOCUMENTS

D485,467 S	1/2004	Pai	D547,109 S	7/2007	Tseng
D489,221 S	5/2004	Pai	D549,511 S	8/2007	Chung
6,739,558 B2	5/2004	Stephen et al.	D549,512 S	8/2007	Chung
D494,004 S	8/2004	Chapman	D549,514 S	8/2007	Chung
D497,280 S	10/2004	Pai	D560,415 S	1/2008	Wood et al.
D499,928 S	12/2004	Zhang	D560,416 S	1/2008	Sedberry et al.
D501,116 S	1/2005	Zhang	D560,417 S	1/2008	Ho et al.
D503,065 S	3/2005	Pai	D560,418 S	1/2008	Chau et al.
D508,363 S	8/2005	Chung	D560,419 S	1/2008	Lockhart et al.
6,925,998 B2	8/2005	Bruno et al.	D563,150 S	3/2008	Chau et al.
6,935,327 B1	8/2005	Williams et al.	D566,456 S	4/2008	Profitt
D516,367 S	3/2006	Lutz et al.	D569,168 S	5/2008	Pai
D520,298 S	5/2006	Huegerich et al.	D571,142 S	6/2008	Chung
D521,308 S	5/2006	Tseng	D571,602 S	6/2008	Chung
D525,073 S	7/2006	Wilgus et al.	D571,604 S	6/2008	Chung
D528,349 S	9/2006	Chung	D571,605 S	6/2008	Chung
D529,331 S	10/2006	Chung	D579,260 S *	10/2008	Zischke D7/332
D533,010 S	12/2006	Pai	D581,198 S	11/2008	Chau
D535,139 S	1/2007	Lutz	D581,199 S	11/2008	Chau
D536,918 S	2/2007	Wood	D584,562 S	1/2009	Chau et al.
D541,575 S	5/2007	Lutz	D586,609 S	2/2009	Chau
D544,289 S	6/2007	Tseng	2002/0148458 A1 *	10/2002	Andress 126/25 R
D546,116 S	7/2007	Tseng	2007/0089724 A1 *	4/2007	Home 126/9 R
D547,108 S	7/2007	Tseng			

* cited by examiner

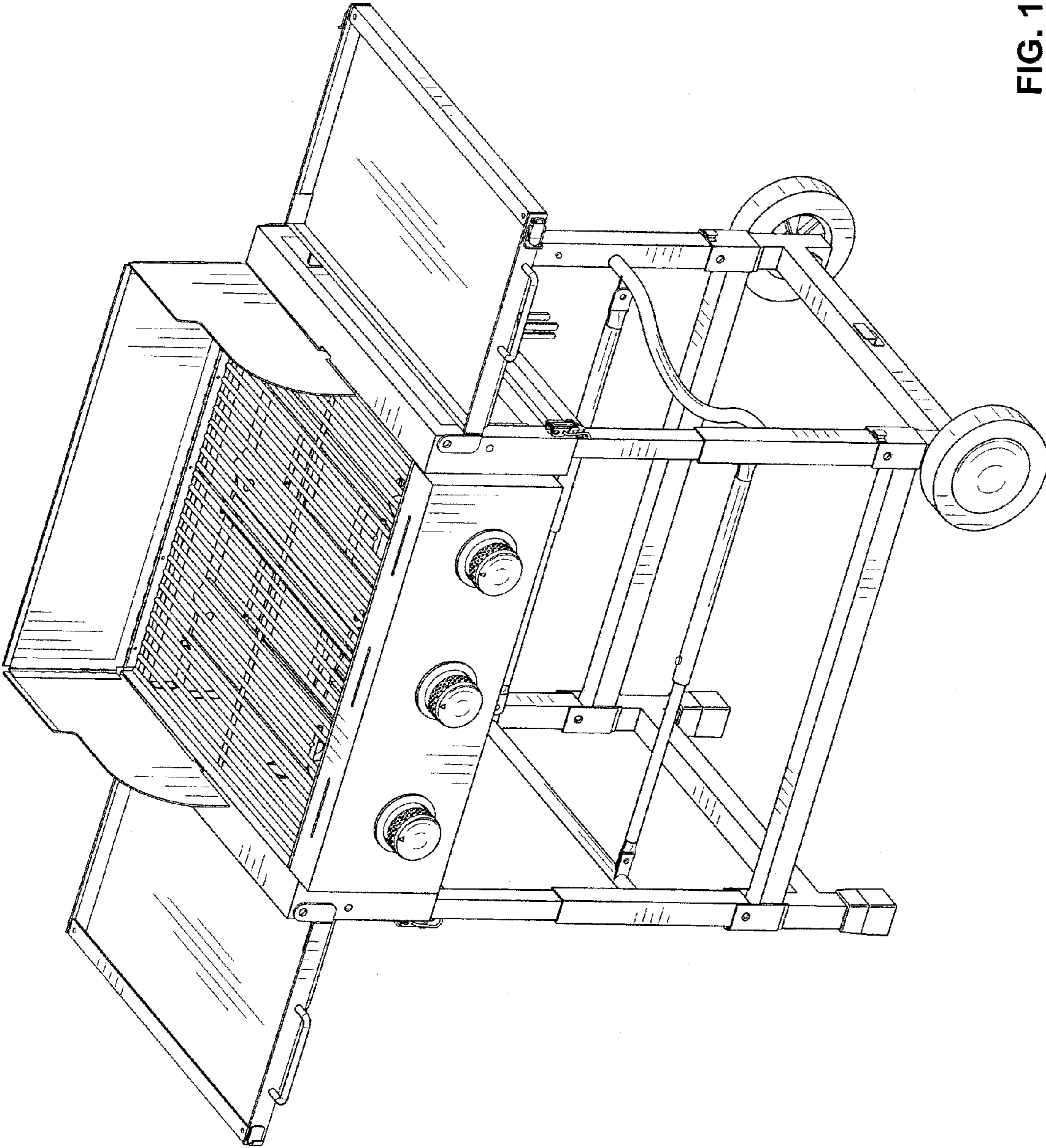


FIG. 1

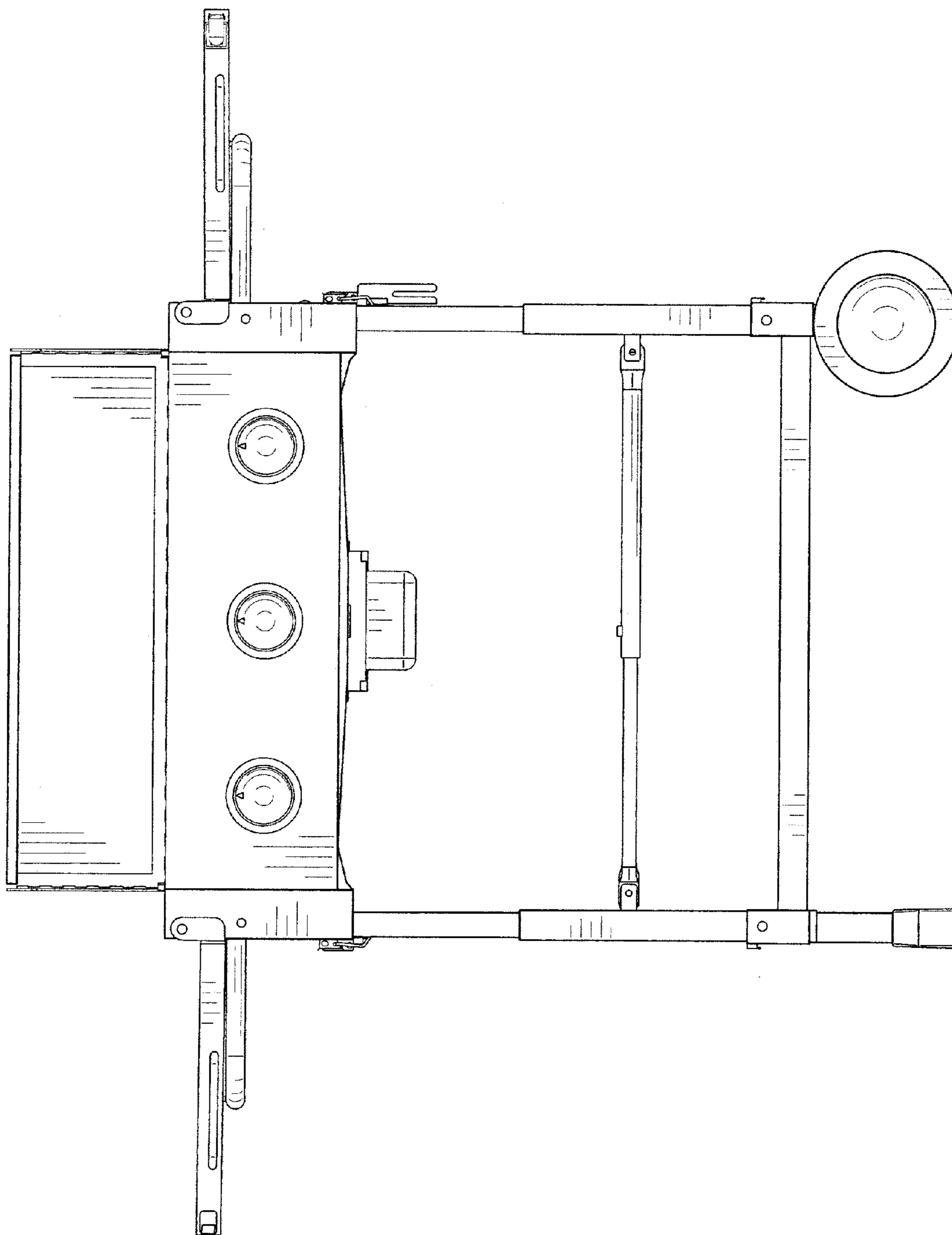


FIG. 2

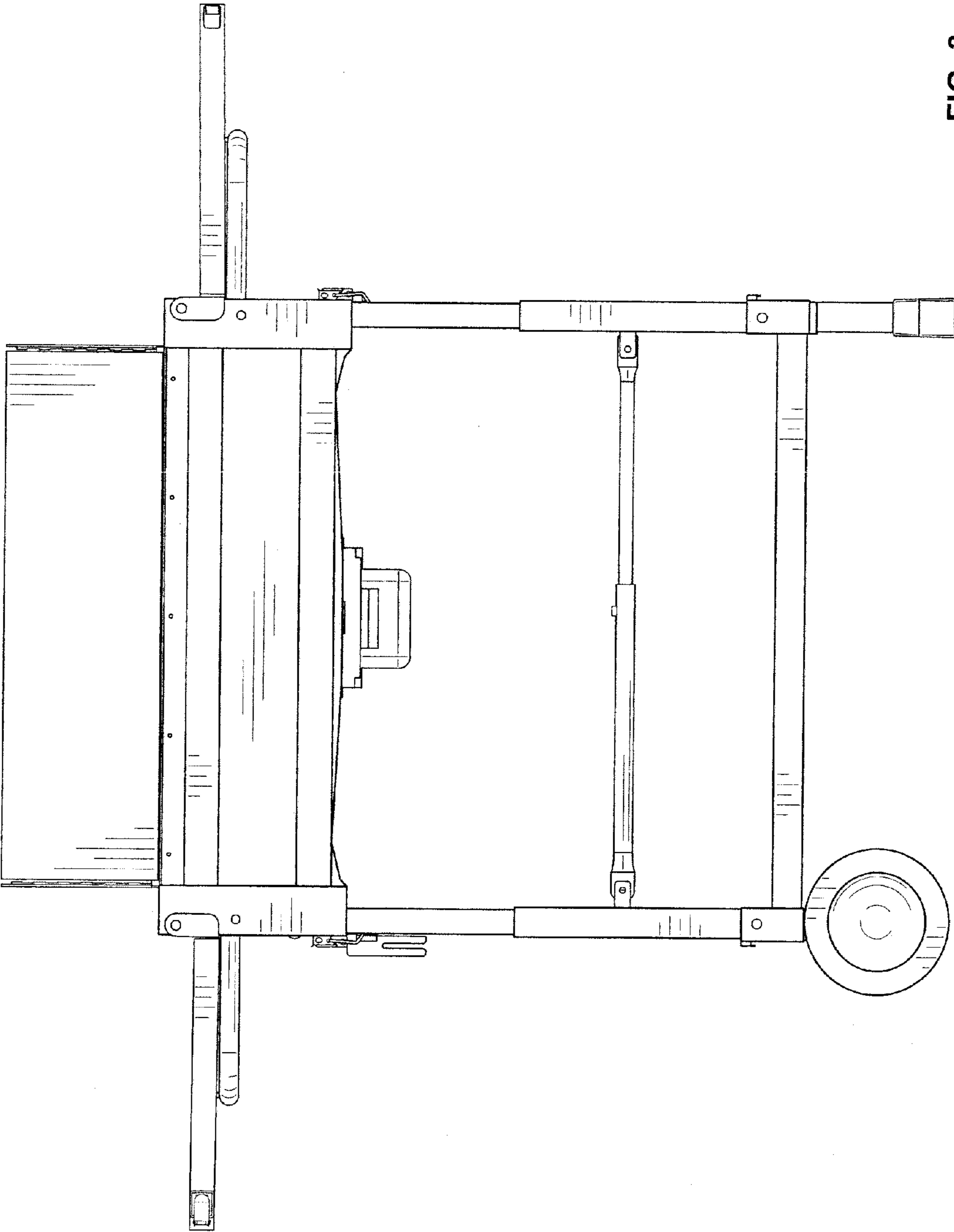


FIG. 3

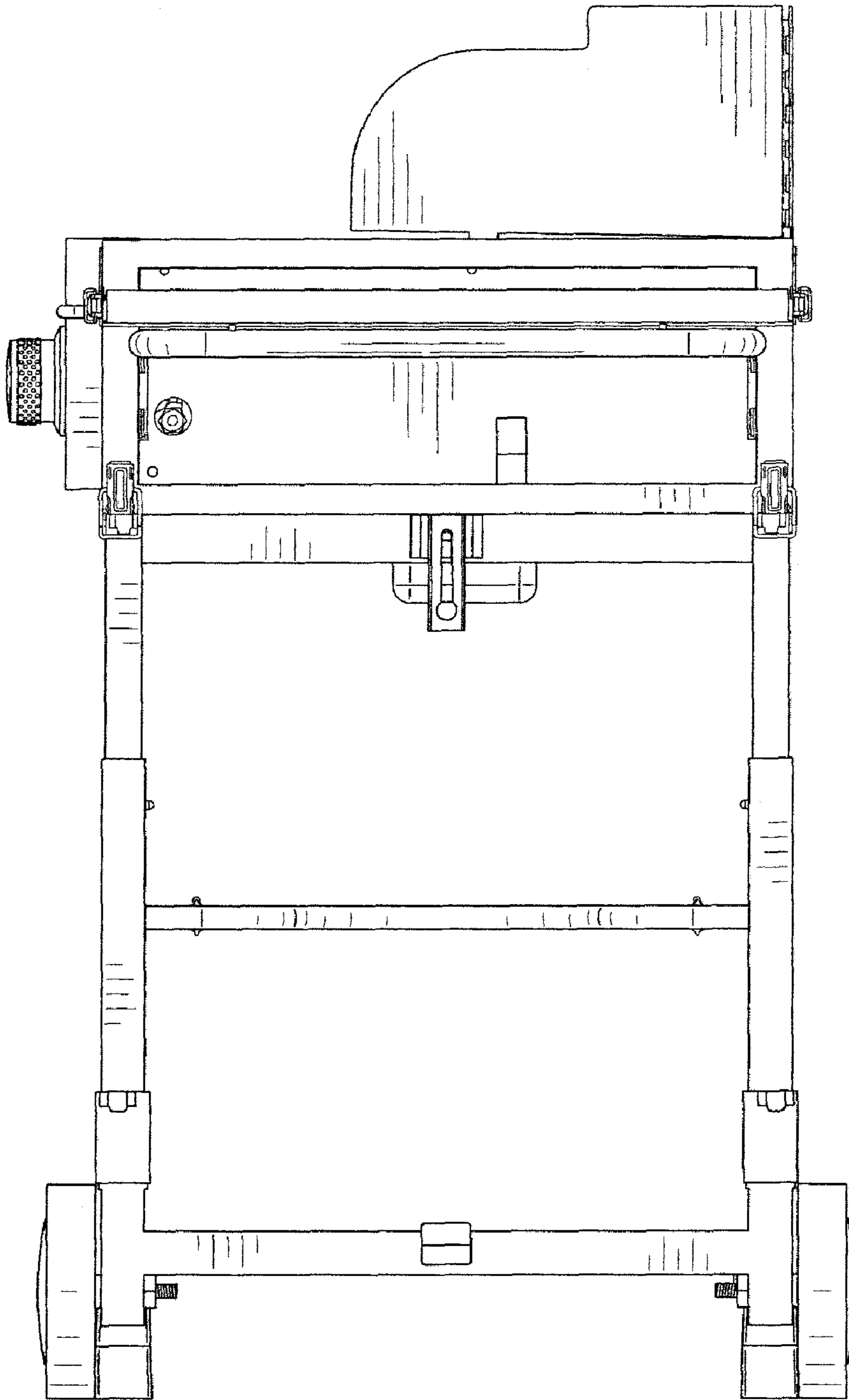


FIG. 4

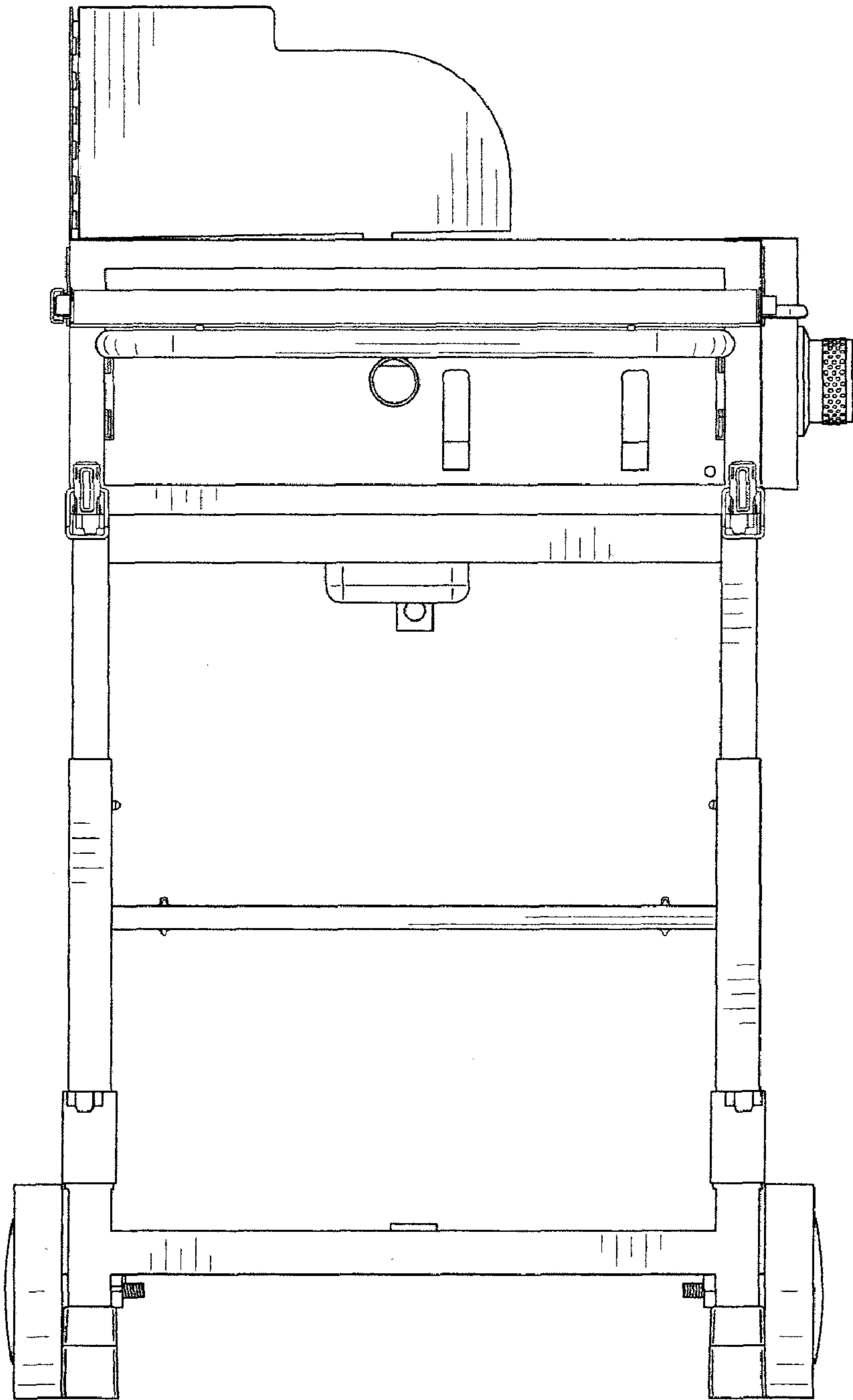


FIG. 5

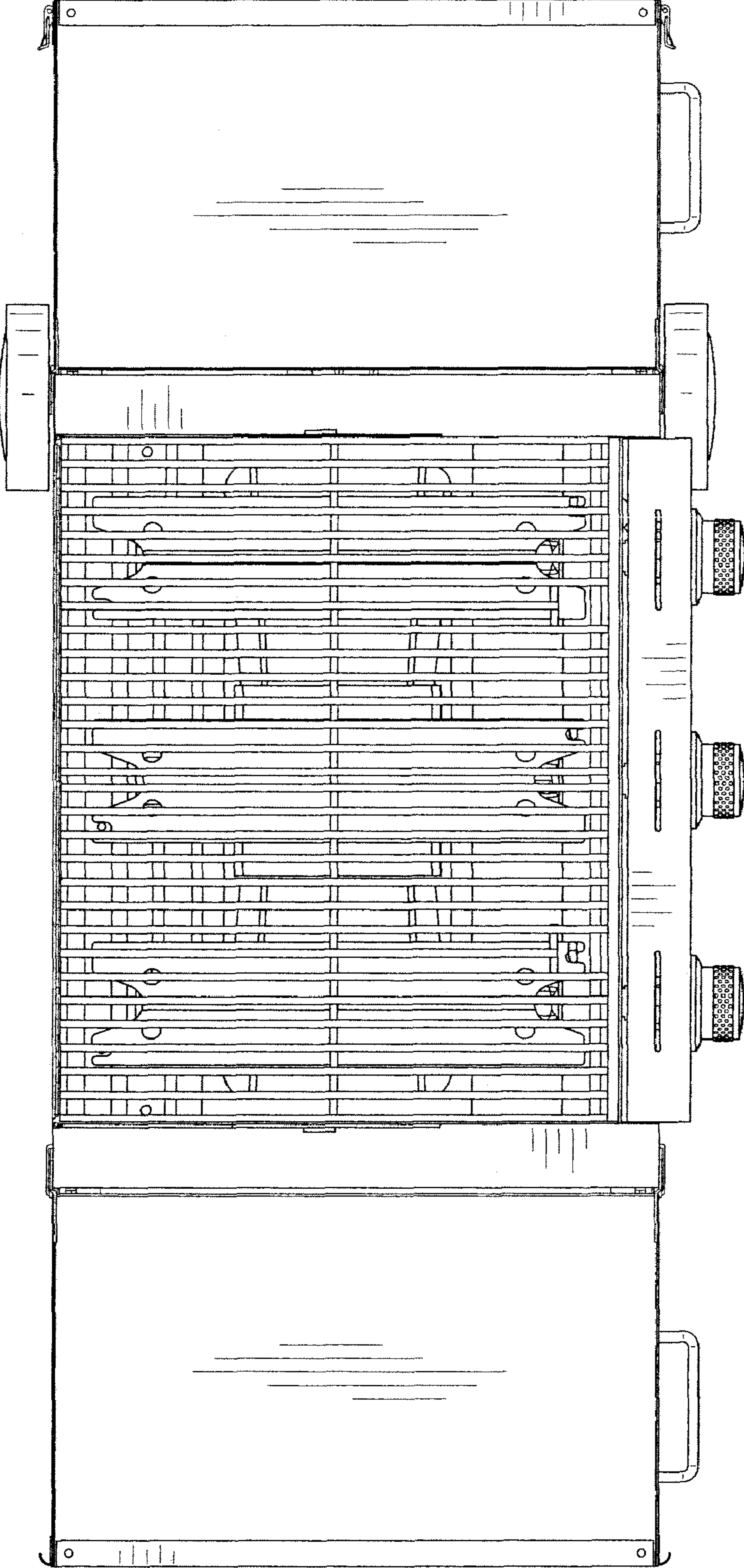


FIG. 6