



US00D657182S

(12) **United States Design Patent**
Chung

(10) **Patent No.:** **US D657,182 S**

(45) **Date of Patent:** **** Apr. 10, 2012**

(54) **BARBECUE GRILL**

(76) Inventor: **Kiosky Chung**, Taichung (TW)

(**) Term: **14 Years**

(21) Appl. No.: **29/384,504**

(22) Filed: **Jan. 31, 2011**

(51) **LOC (9) Cl.** **07-02**

(52) **U.S. Cl.** **D7/334**

(58) **Field of Classification Search** D7/332,
D7/334-337, 402-405, 338, 417; 126/25 R,
126/25 A, 25 AA, 25 B, 273 R, 9 R, 38, 40,
126/50, 9 B, 48, 29-30, 43-44, 26, 372, 314,
126/307 R, 312, 292; 99/339, 448, 449,
99/481-482, 516, 340-341; 431/331

See application file for complete search history.

(56) **References Cited**

U.S. PATENT DOCUMENTS

D480,596 S * 10/2003 Dellinger et al. D7/335

D483,983 S * 12/2003 Harrod et al. D7/334

D618,484 S * 6/2010 Tzeng D7/334
D618,951 S * 7/2010 Tzeng D7/334
D638,655 S * 5/2011 Mohr D7/335
2004/0069294 A1 * 4/2004 Bossler 126/41 R

* cited by examiner

Primary Examiner — Ruth McInroy

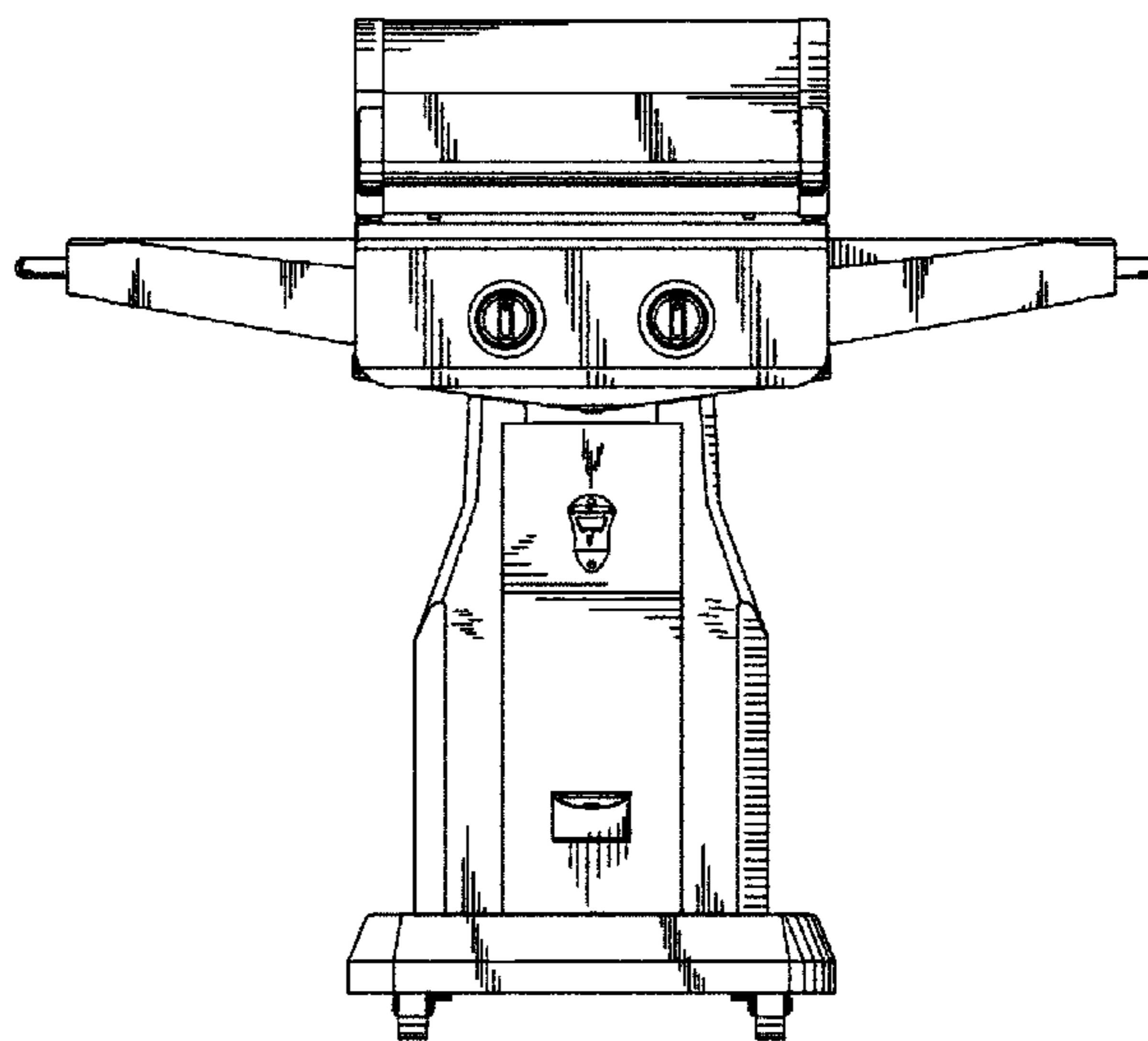
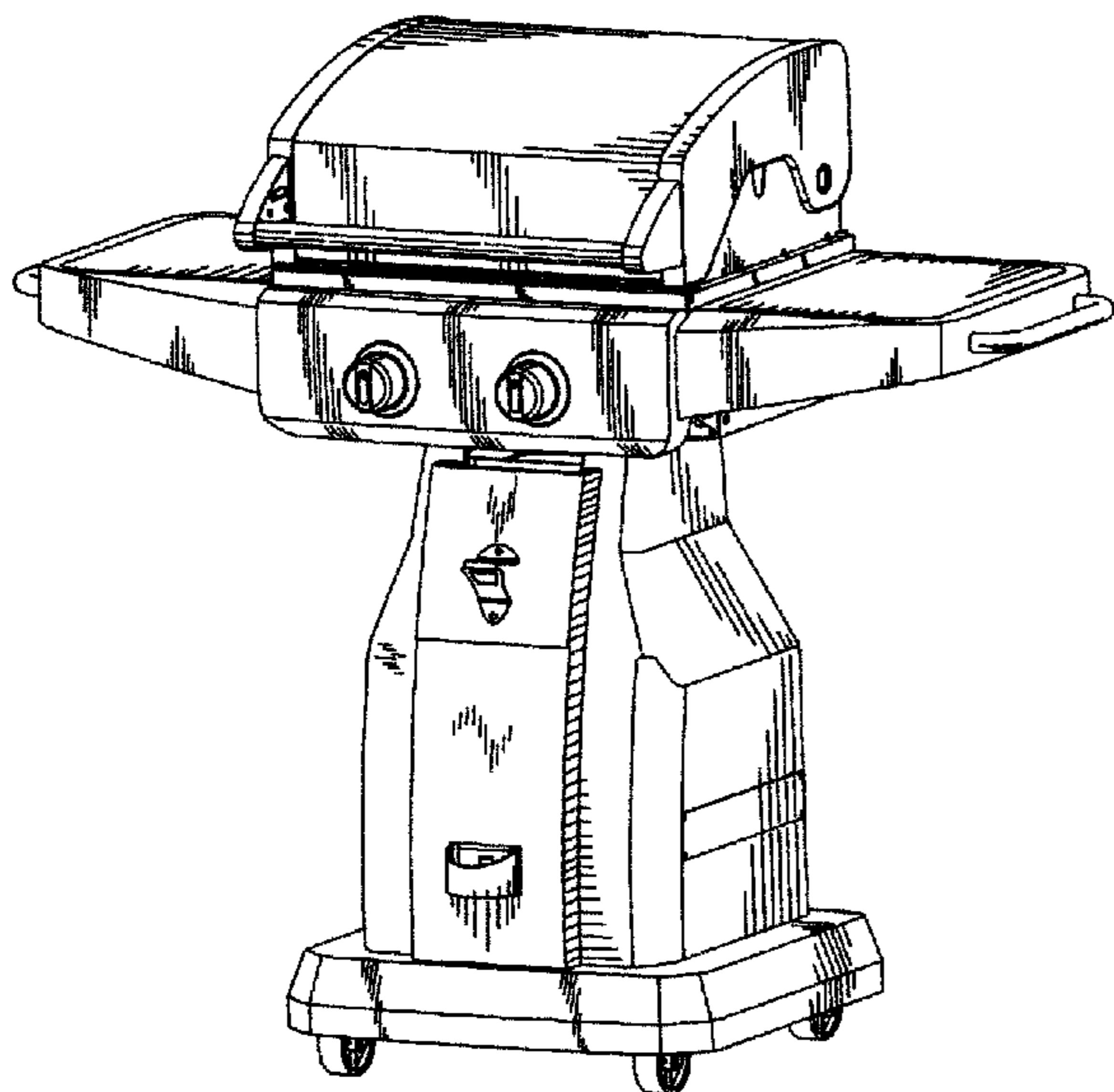
(57) **CLAIM**

I claim the ornamental design for a barbecue grill, as shown and described.

DESCRIPTION

FIG. 1 is a perspective view of a barbecue grill, showing my new design;
FIG. 2 is a front elevational view thereof;
FIG. 3 is a rear elevational view thereof;
FIG. 4 is a left side elevational view thereof;
FIG. 5 is a right side elevational view thereof; and,
FIG. 6 is a top plan view thereof.

1 Claim, 6 Drawing Sheets



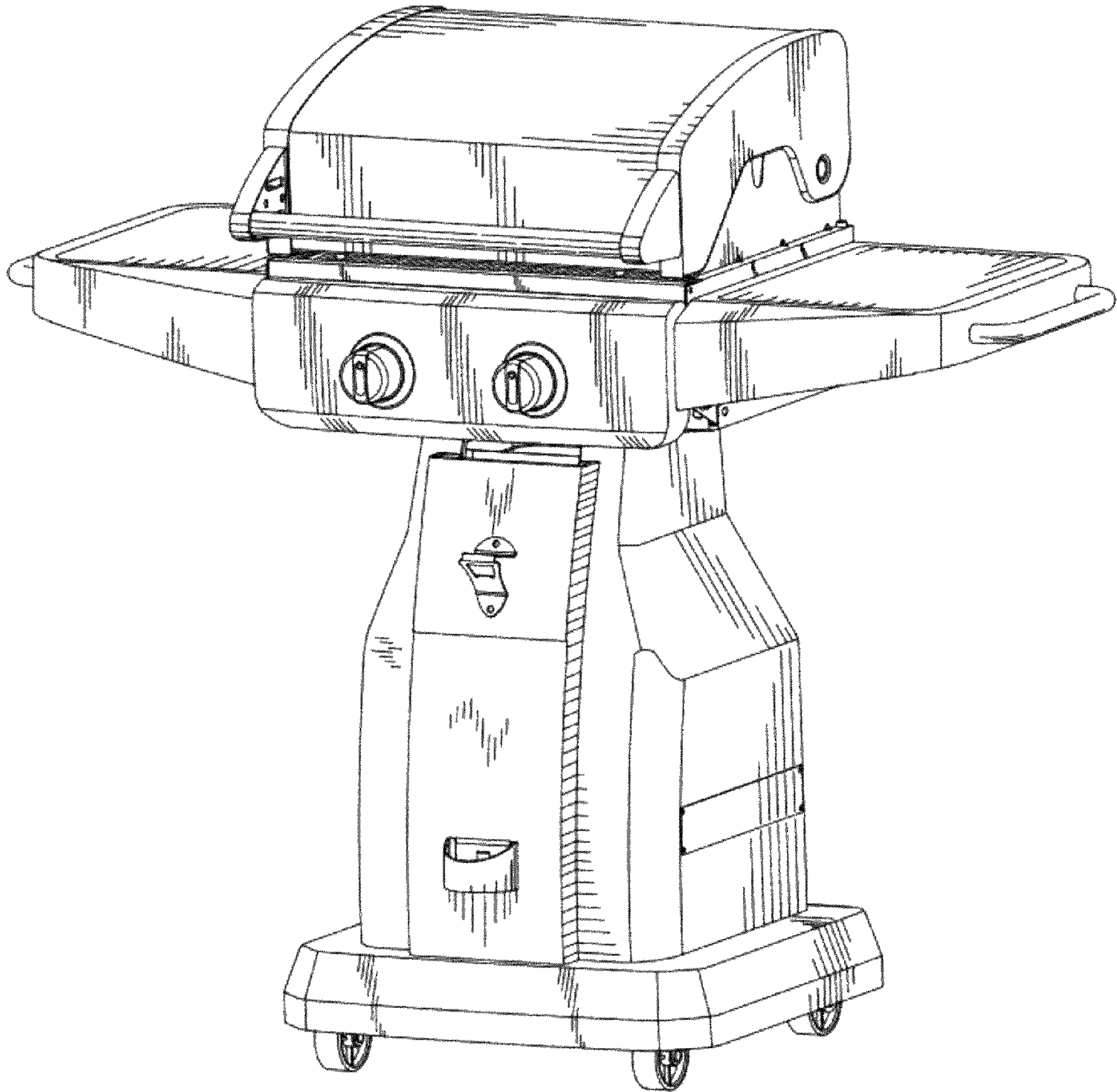


FIG. 1

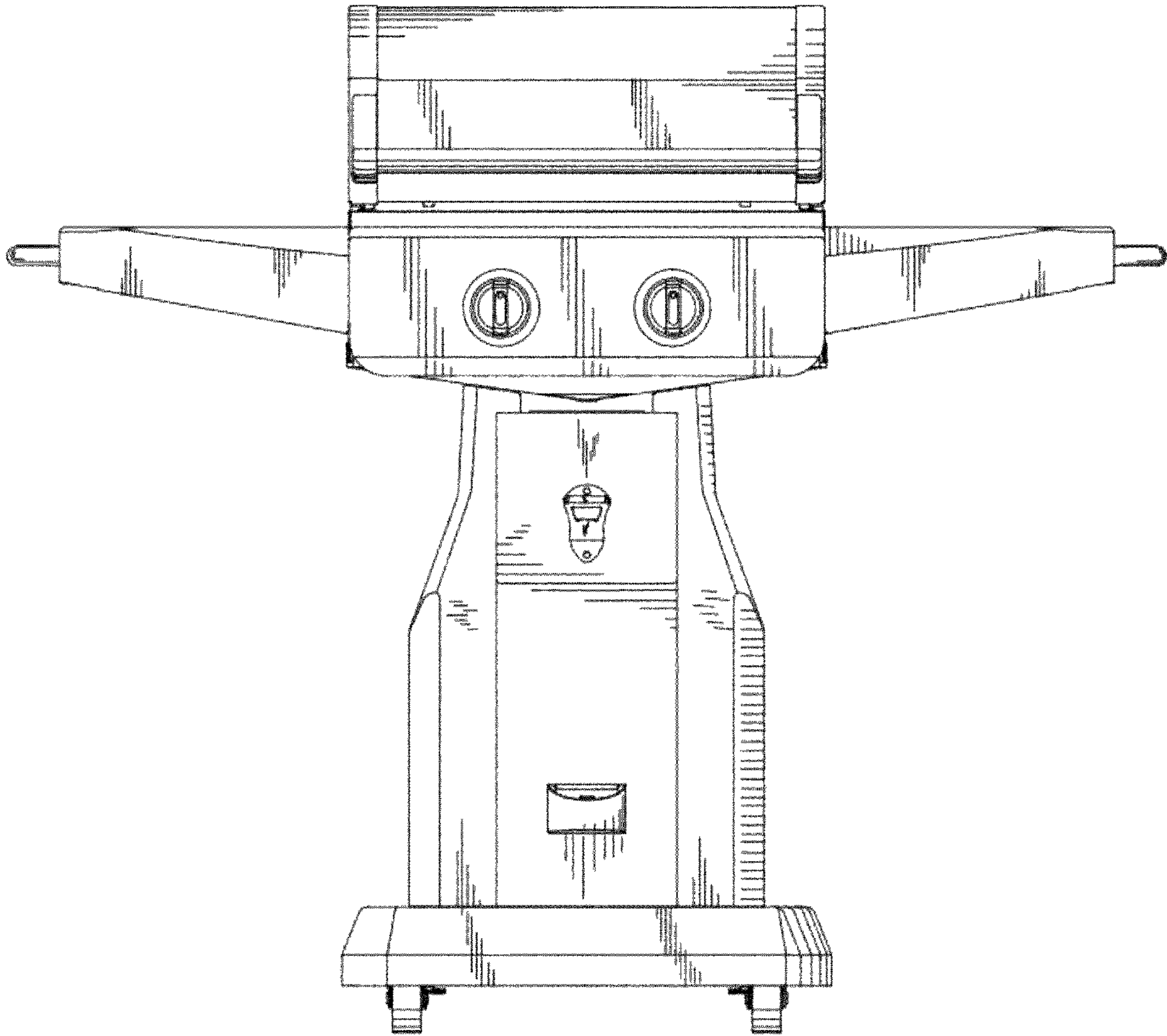


FIG. 2

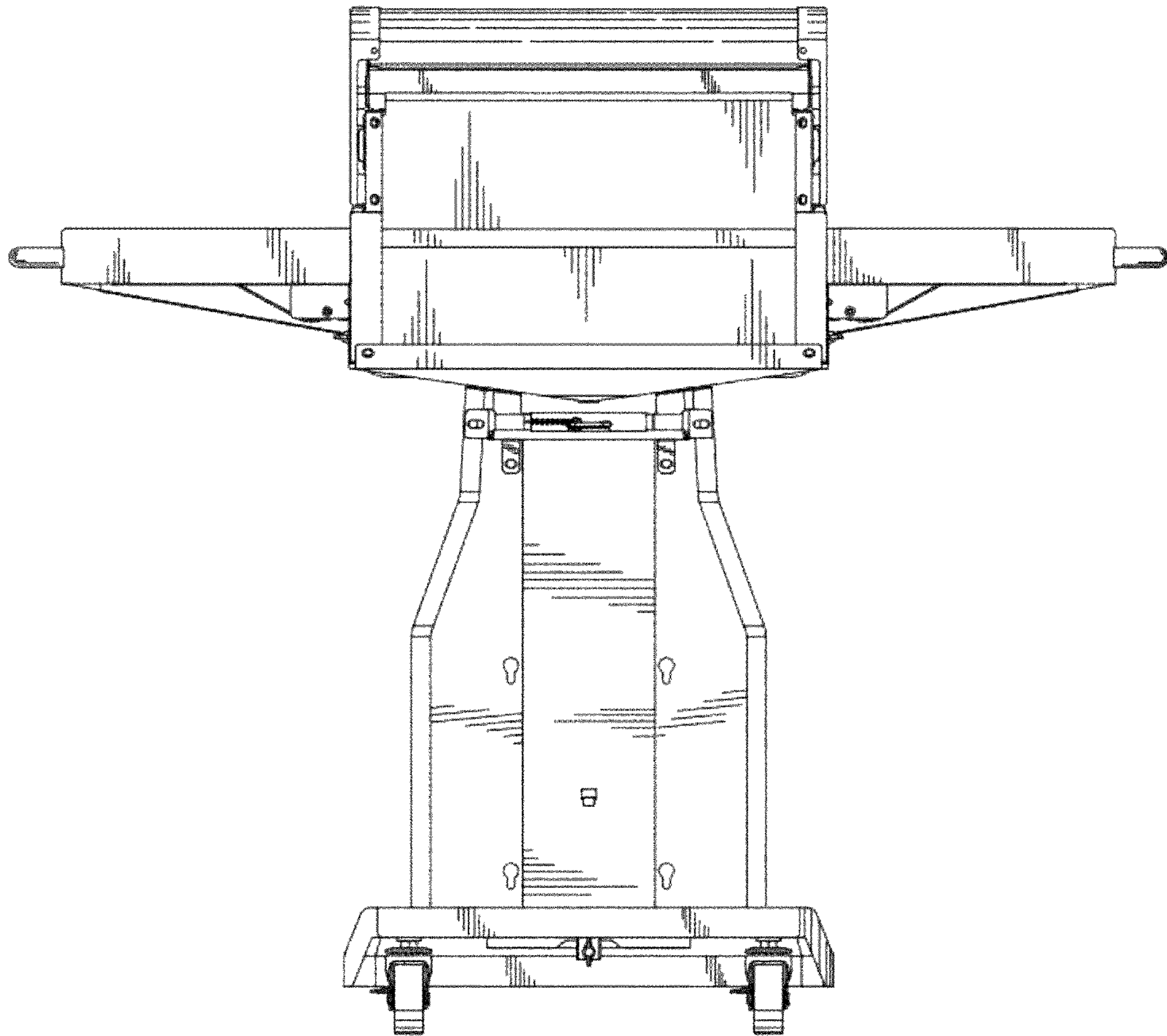


FIG. 3

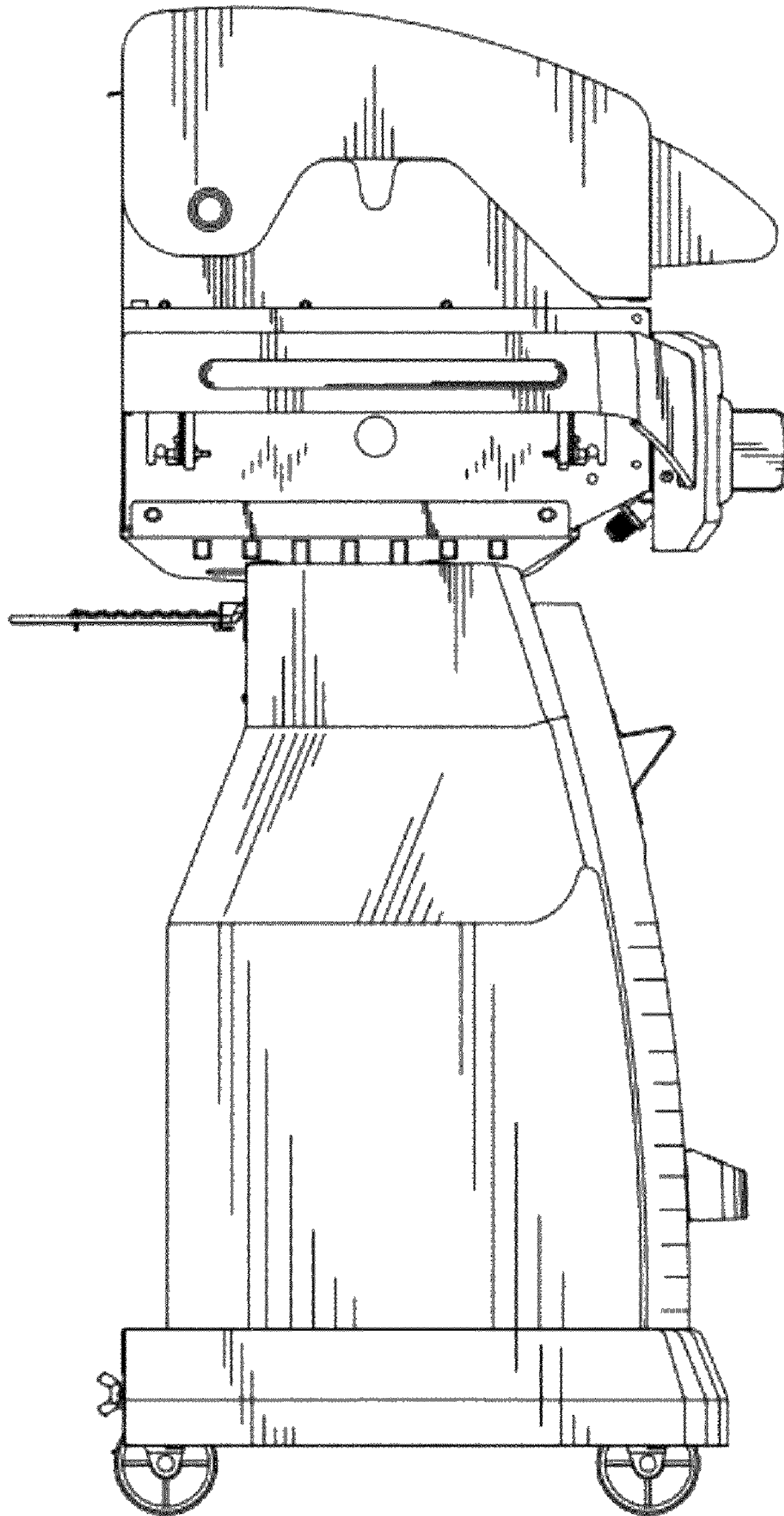


FIG. 4

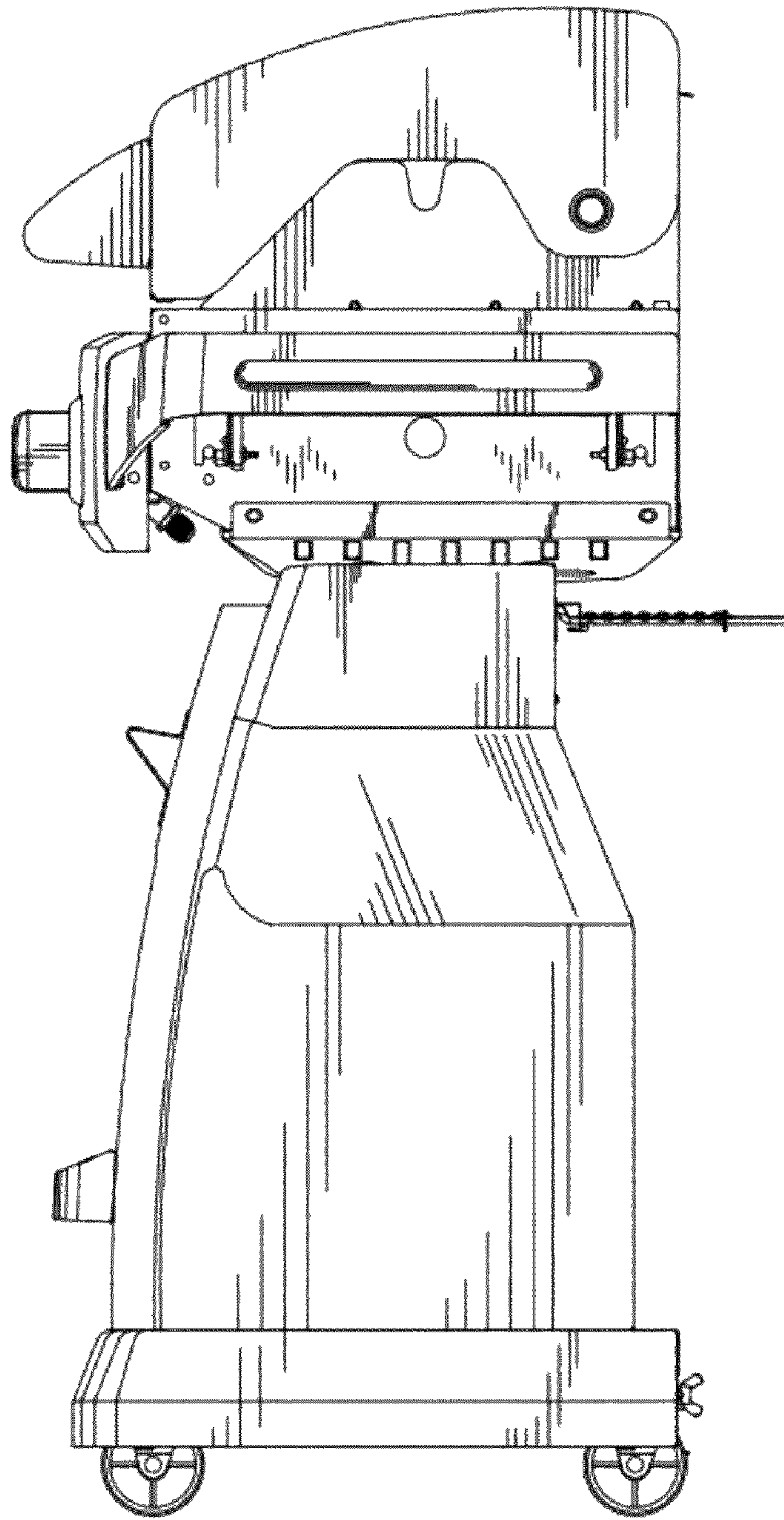


FIG. 5

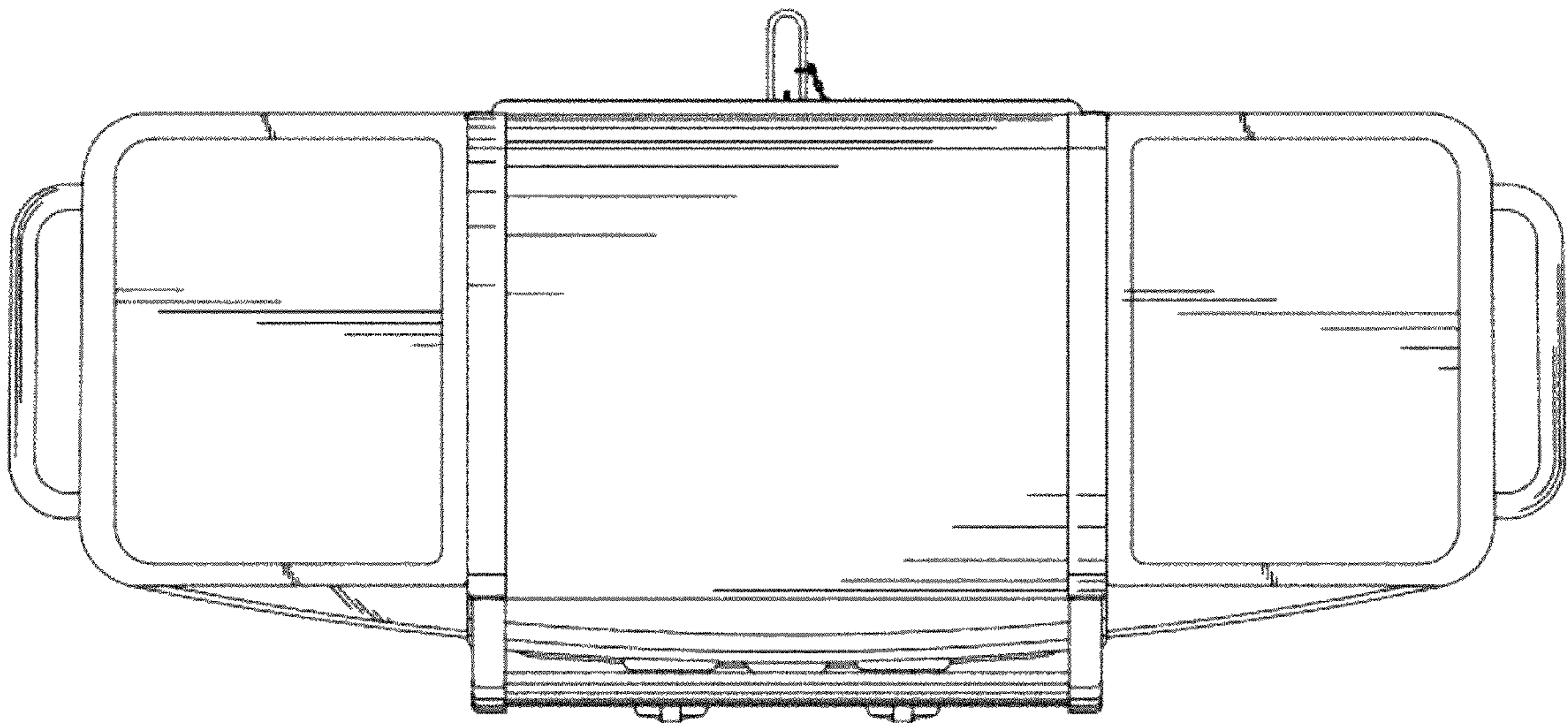


FIG. 6