



US00D657175S

(12) **United States Design Patent**  
**Alkhailan**

(10) **Patent No.:** **US D657,175 S**  
(45) **Date of Patent:** **\*\* Apr. 10, 2012**

(54) **PORTABLE HANGING DISPENSER**

(76) Inventor: **Dhari Alkhailan**, Alardiya (KW)

(\*\*) Term: **14 Years**

(21) Appl. No.: **29/386,537**

(22) Filed: **Mar. 2, 2011**

(51) **LOC (9) Cl.** ..... **23-02**

(52) **U.S. Cl.** ..... **D6/544**

(58) **Field of Classification Search** ..... D6/512-514,  
D6/542-545; 222/173, 180, 181.1, 181.3;  
221/282-283

See application file for complete search history.

(56) **References Cited**

U.S. PATENT DOCUMENTS

D245,743 S \* 9/1977 McManus ..... D6/544

D298,991 S \* 12/1988 Stanley ..... D6/544

D413,748 S \* 9/1999 Lagrotta ..... D6/542

\* cited by examiner

*Primary Examiner* — Brian N Vinson

(74) *Attorney, Agent, or Firm* — James M Smedley LLC;  
James M Smedley, Esq.

(57) **CLAIM**

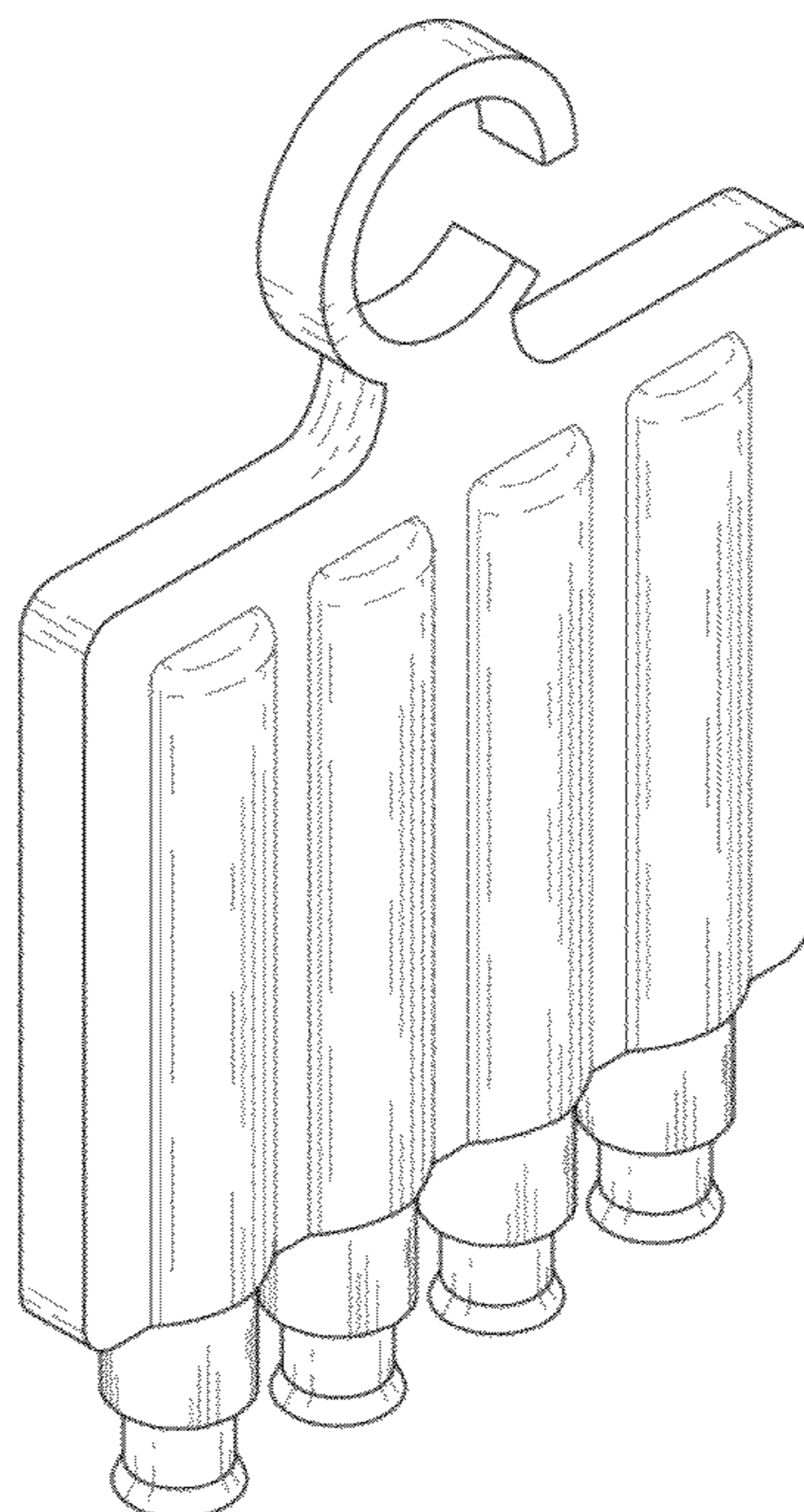
I claim the ornamental design for a portable hanging dispenser, as shown and described.

**DESCRIPTION**

FIG. 1 is a front view showing the new design.  
FIG. 2 is a bottom view showing the new design.

FIG. 3 is a rear view showing the new design.  
FIG. 4 is a top view showing the new design.  
FIG. 5 is a side view showing the new design.  
FIG. 6 is an opposite side view showing the new design.  
FIG. 7 is a perspective view showing the new design.  
FIG. 8 is another perspective view showing the new design.  
FIG. 9 is yet another perspective view showing the new design.  
FIG. 10 is a lower perspective view showing the new design.  
FIG. 11 is a perspective view showing the new design with the screw on caps removed.  
FIG. 12 is a sectional view showing the new design with tubes shown screwed into place.  
FIG. 13 is a sectional view of an alternate embodiment of the new design, the sole difference being the screw threads have been removed from the top of the dispenser resulting in the tubes being fixedly situated within the dispenser.  
FIG. 14 is a perspective view showing a tube of the new design with the cap on as it appears when removed from the dispenser.  
FIG. 15 is a perspective view showing a tube of the new design with the cap off as it appears when removed from the dispenser.  
FIG. 16 is a perspective view showing a cap of the new design as it appears when removed from a tube; and,  
FIG. 17 is a sectional view of the new design with all of the tubes removed from the dispenser.  
The broken line(s) shown in the drawings are for illustrative purposes only and form no part of the claimed design.  
The shading lines shown in the drawings represent the approximate three-dimensional contour of the design, and are not intended to indicate surface decoration.

**1 Claim, 10 Drawing Sheets**



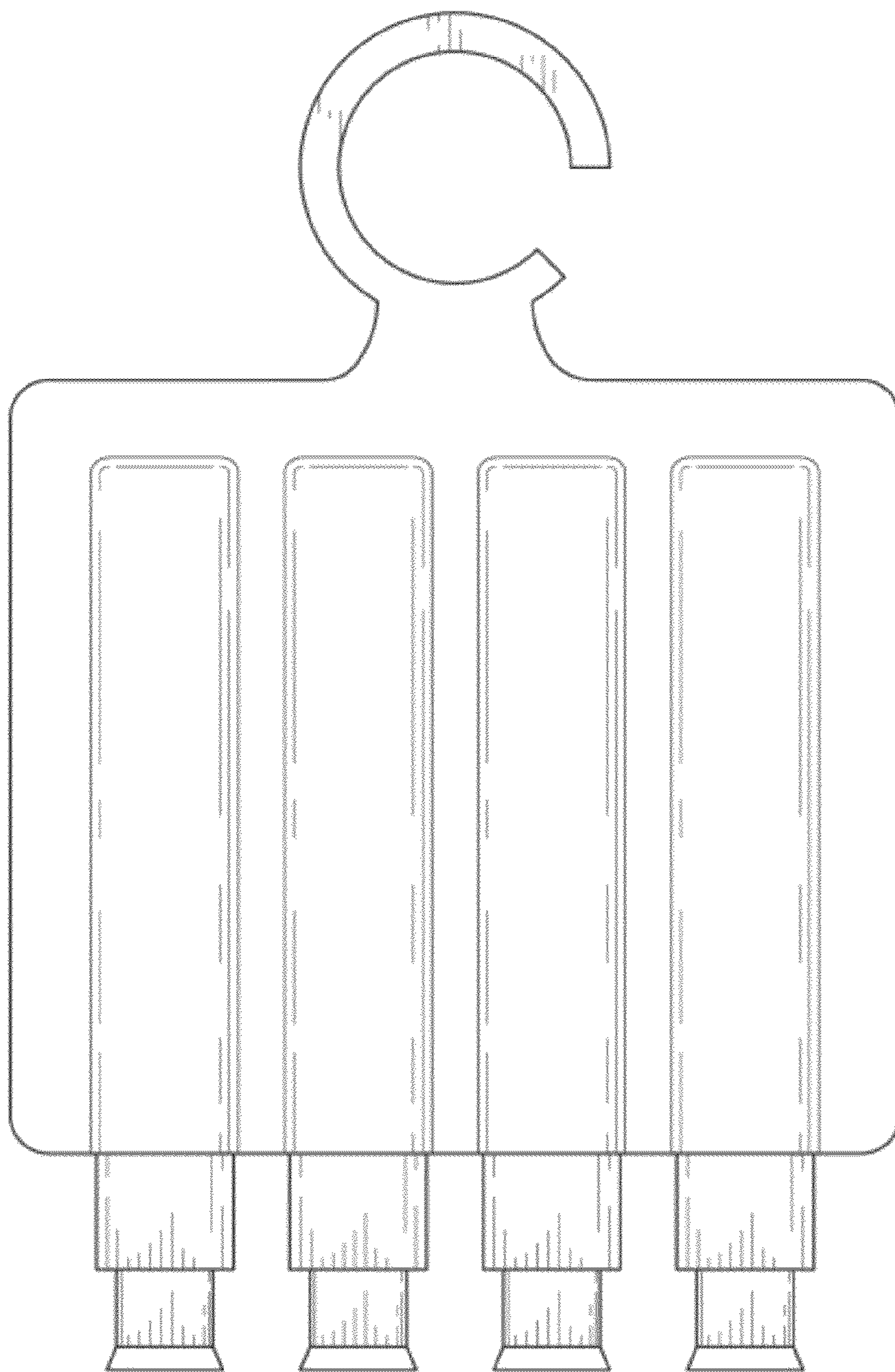


FIG. 1

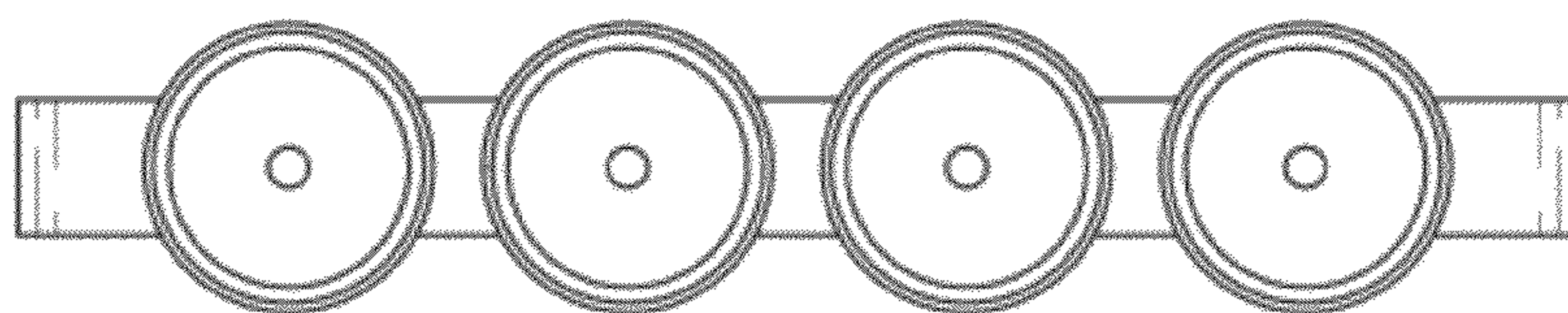


FIG. 2

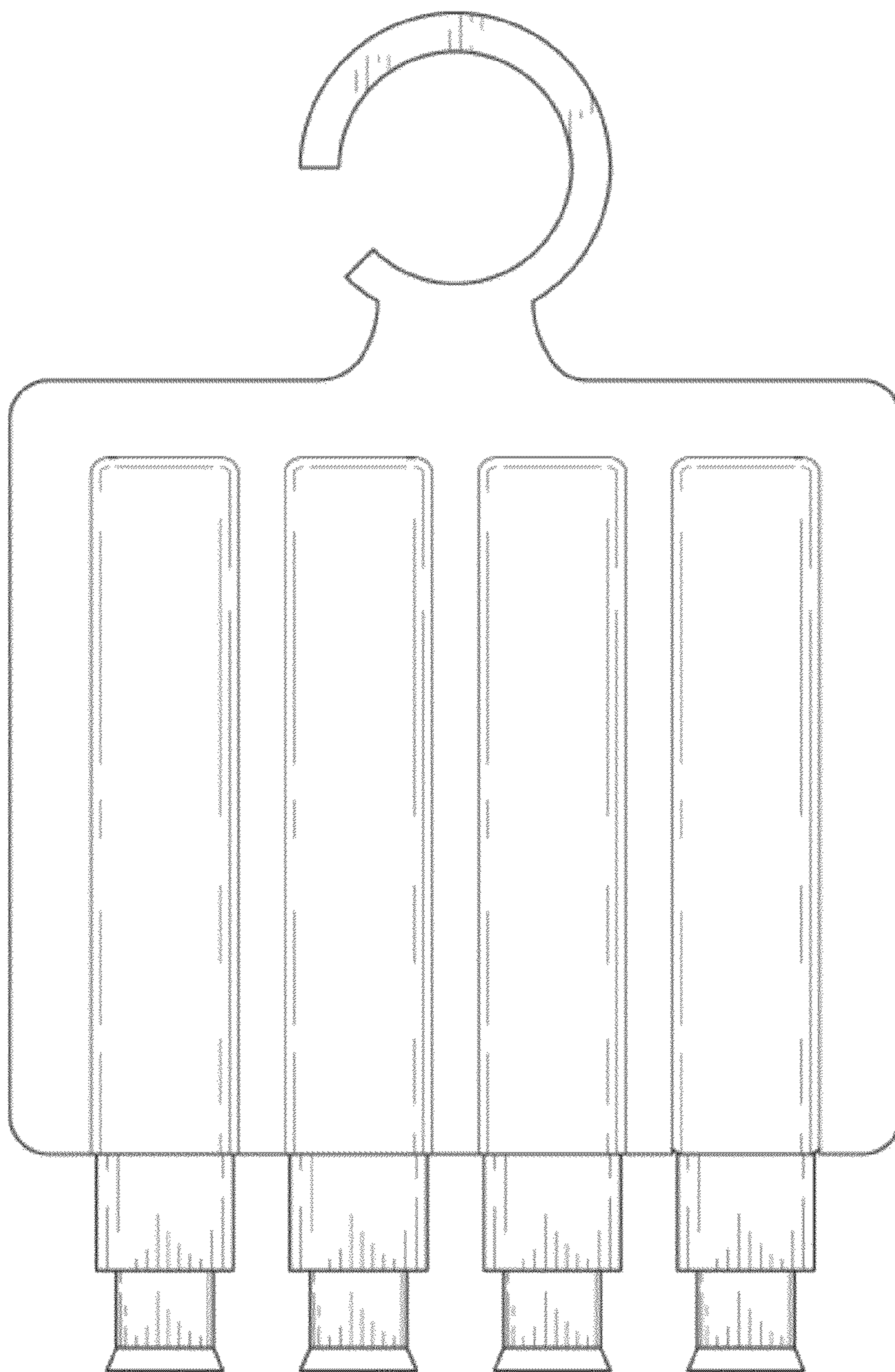


FIG. 3

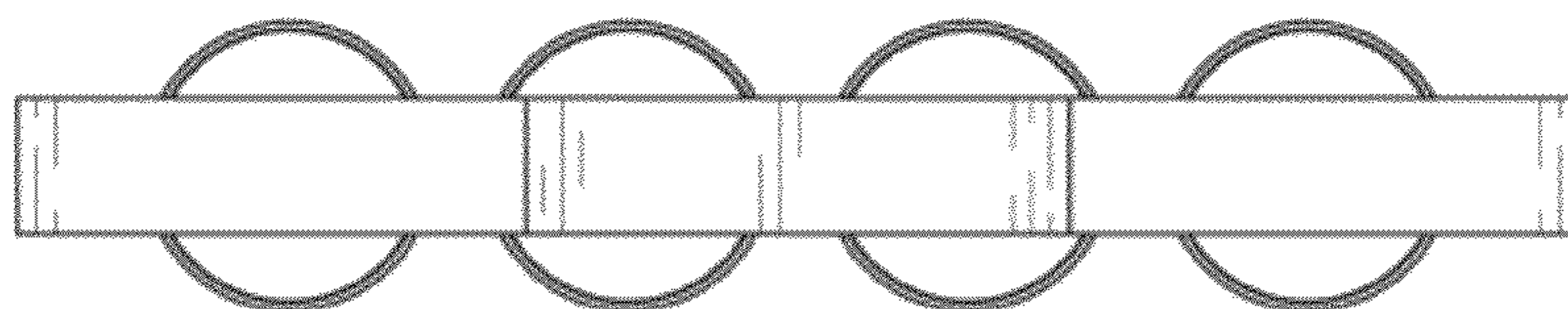


FIG. 4

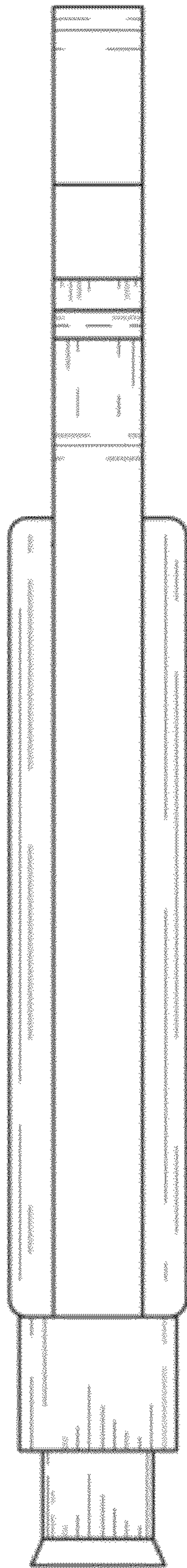


FIG. 5

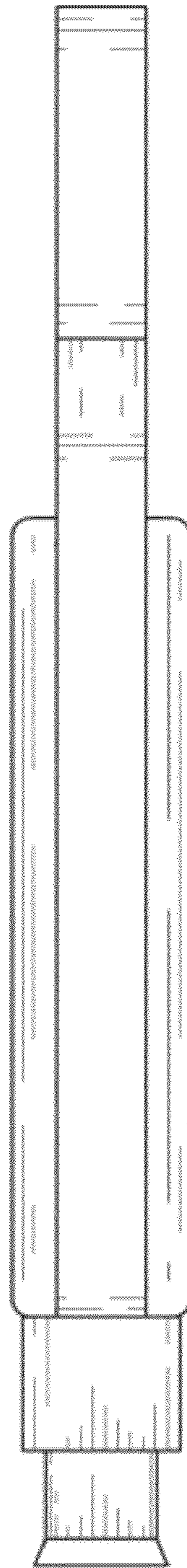
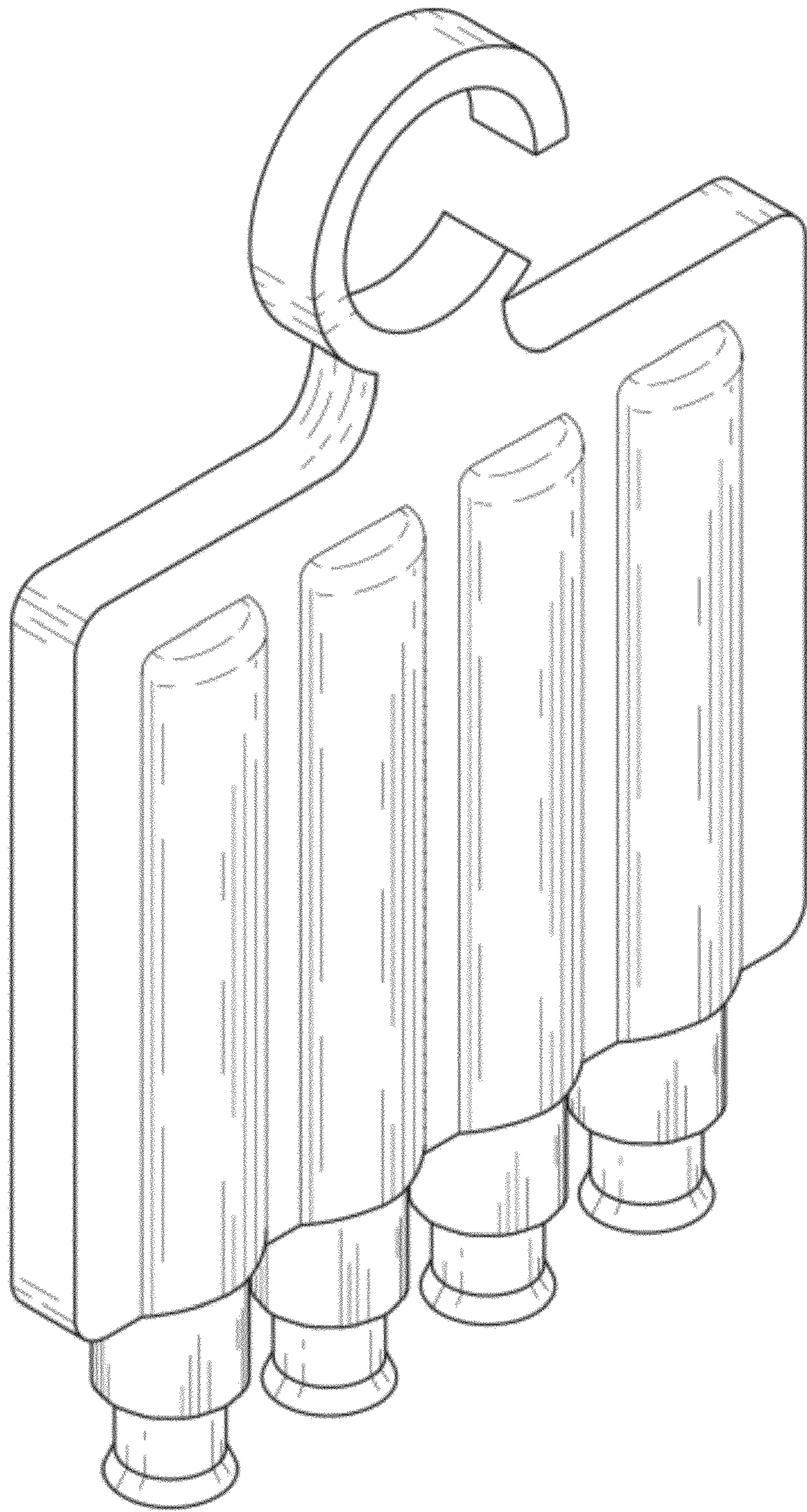
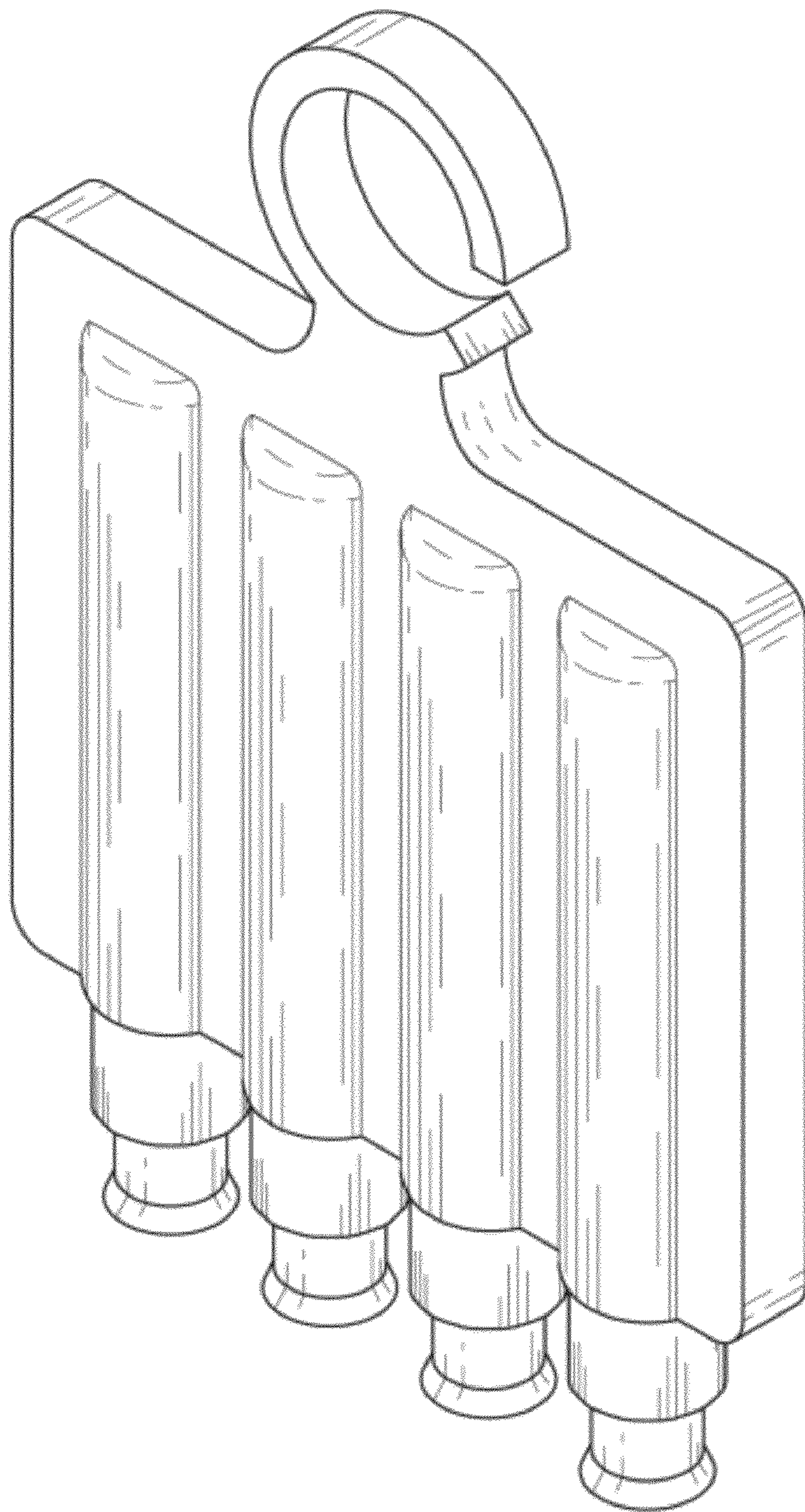


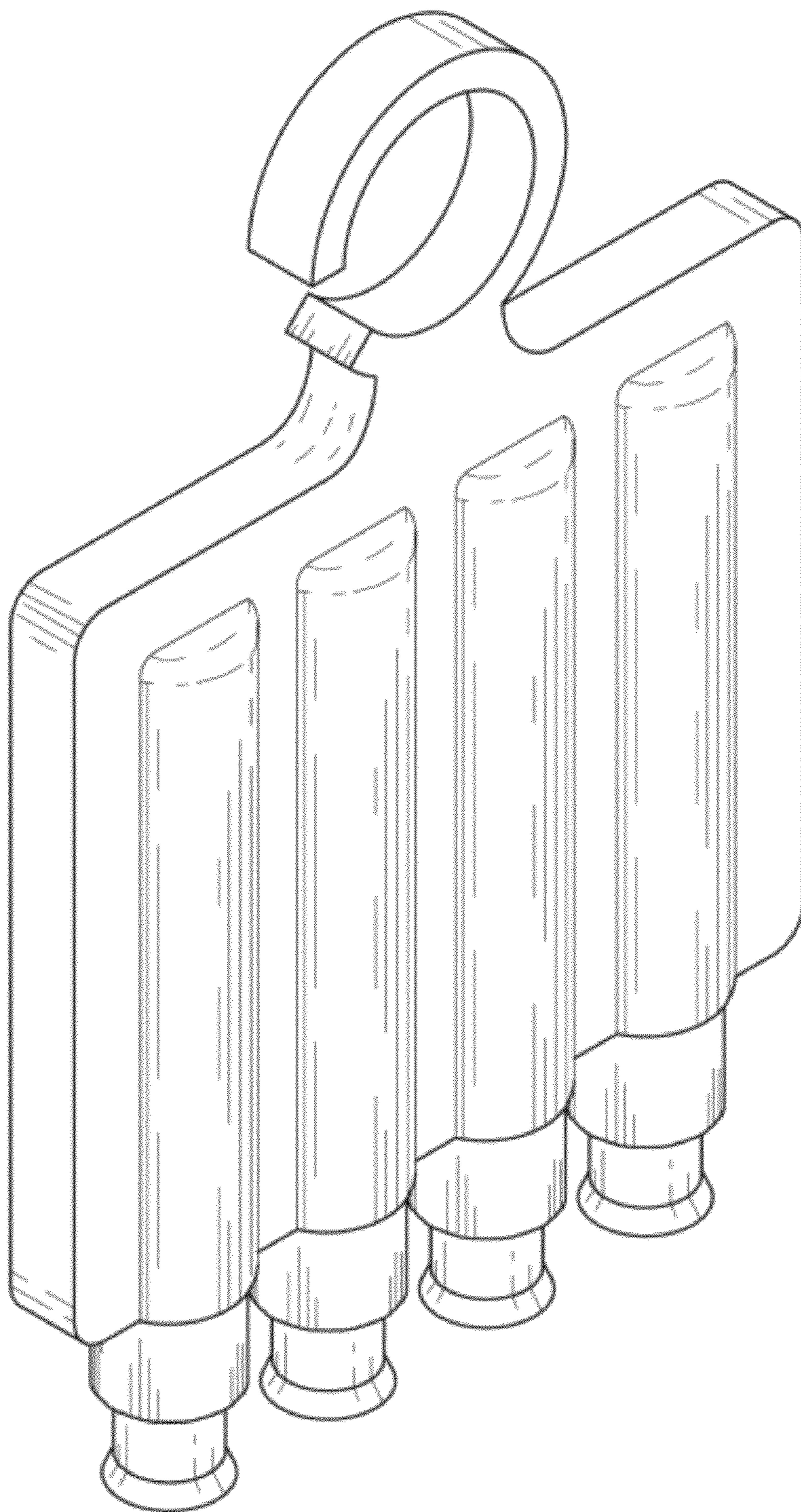
FIG. 6



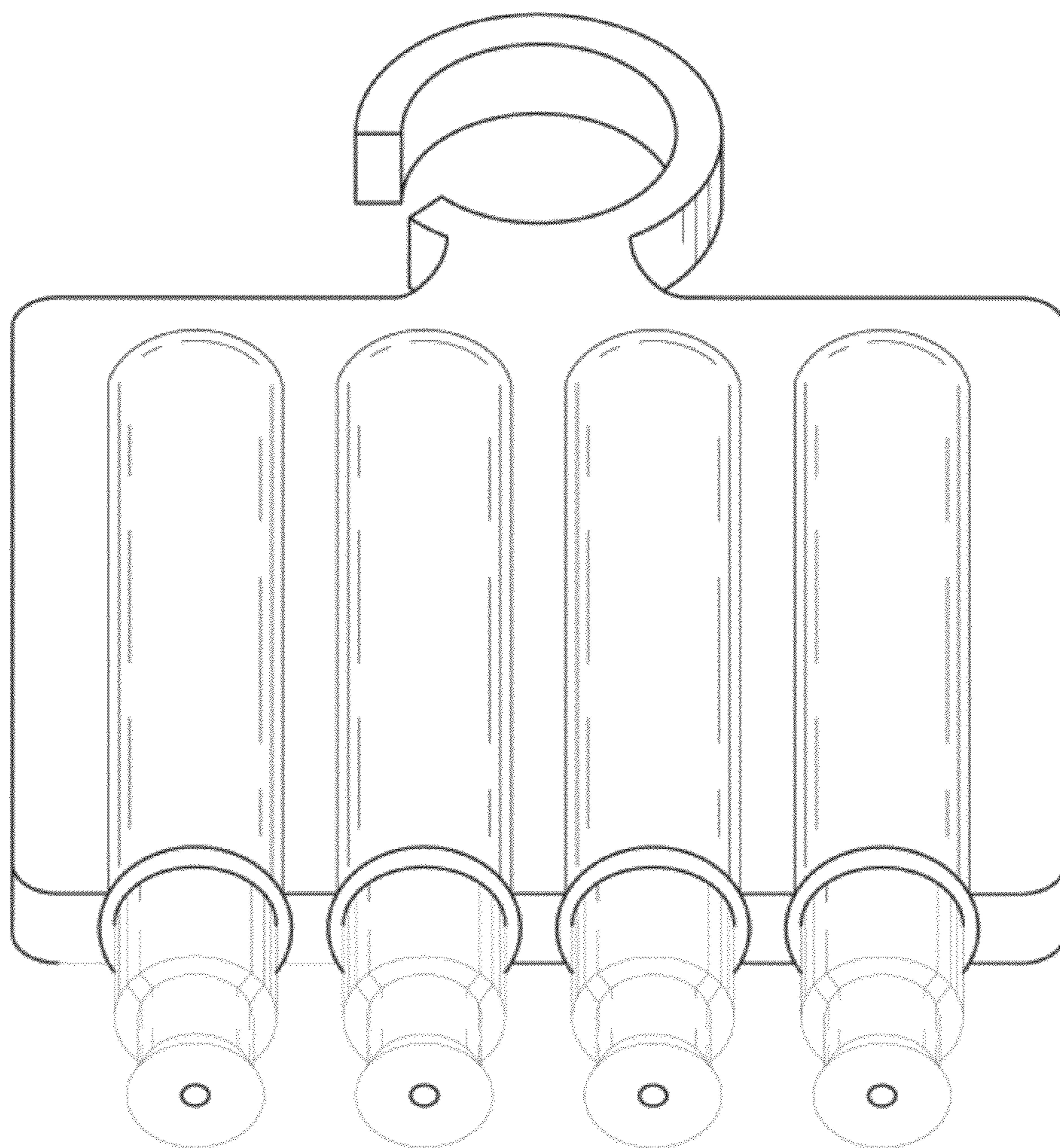
*FIG. 7*



*FIG. 8*

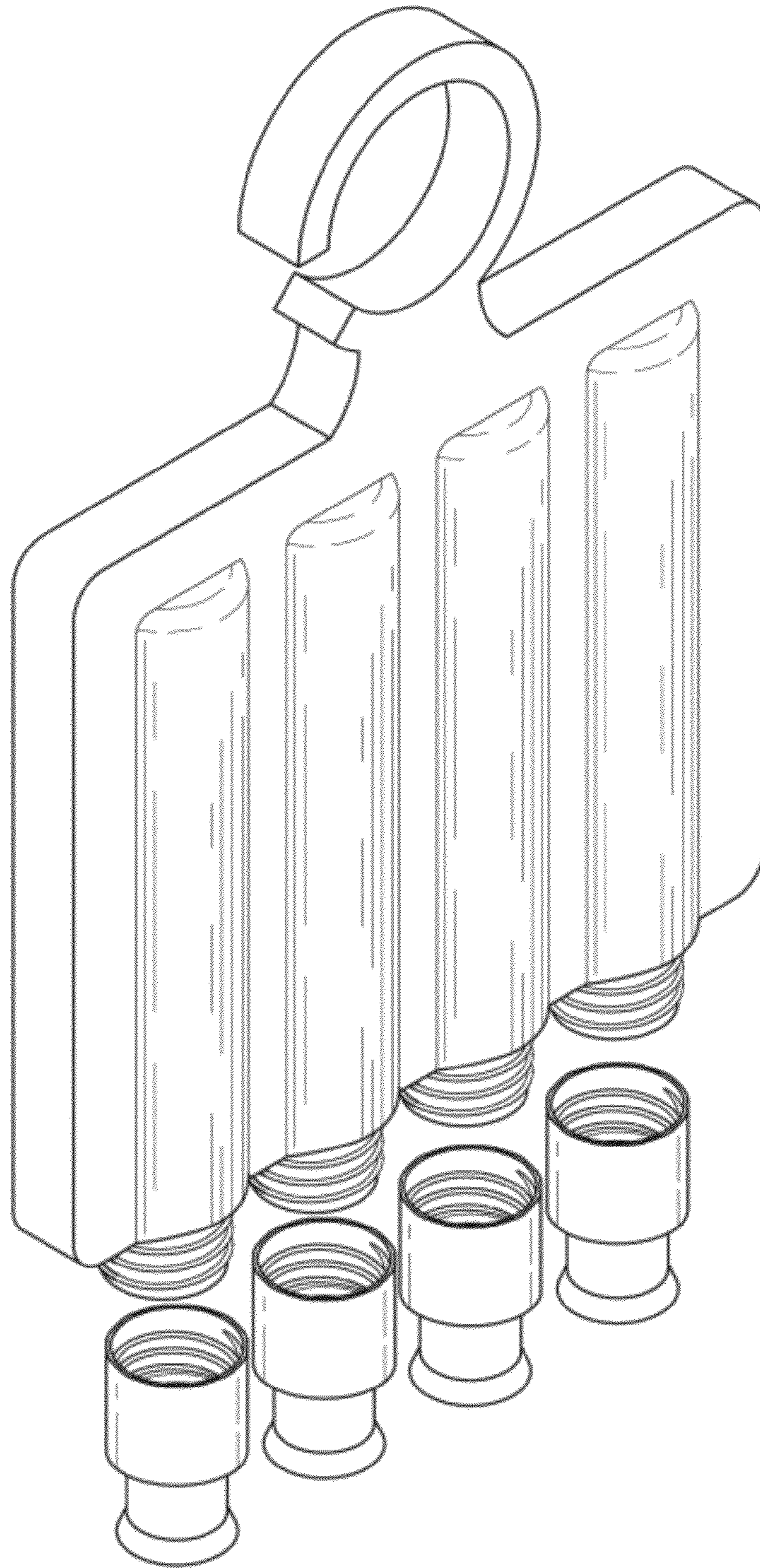


*FIG. 9*



*FIG. 10*





**FIG. 11**

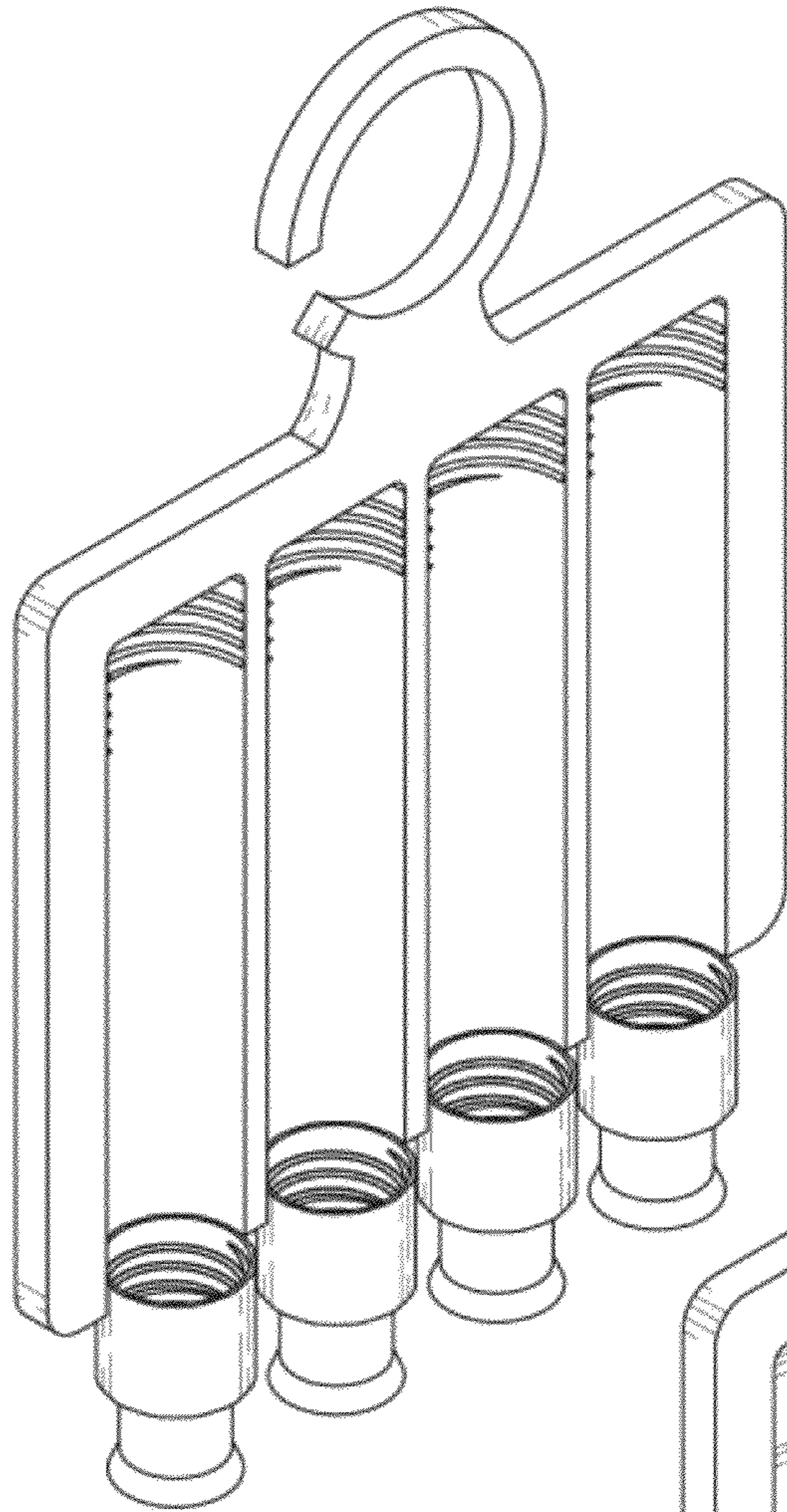


FIG. 12

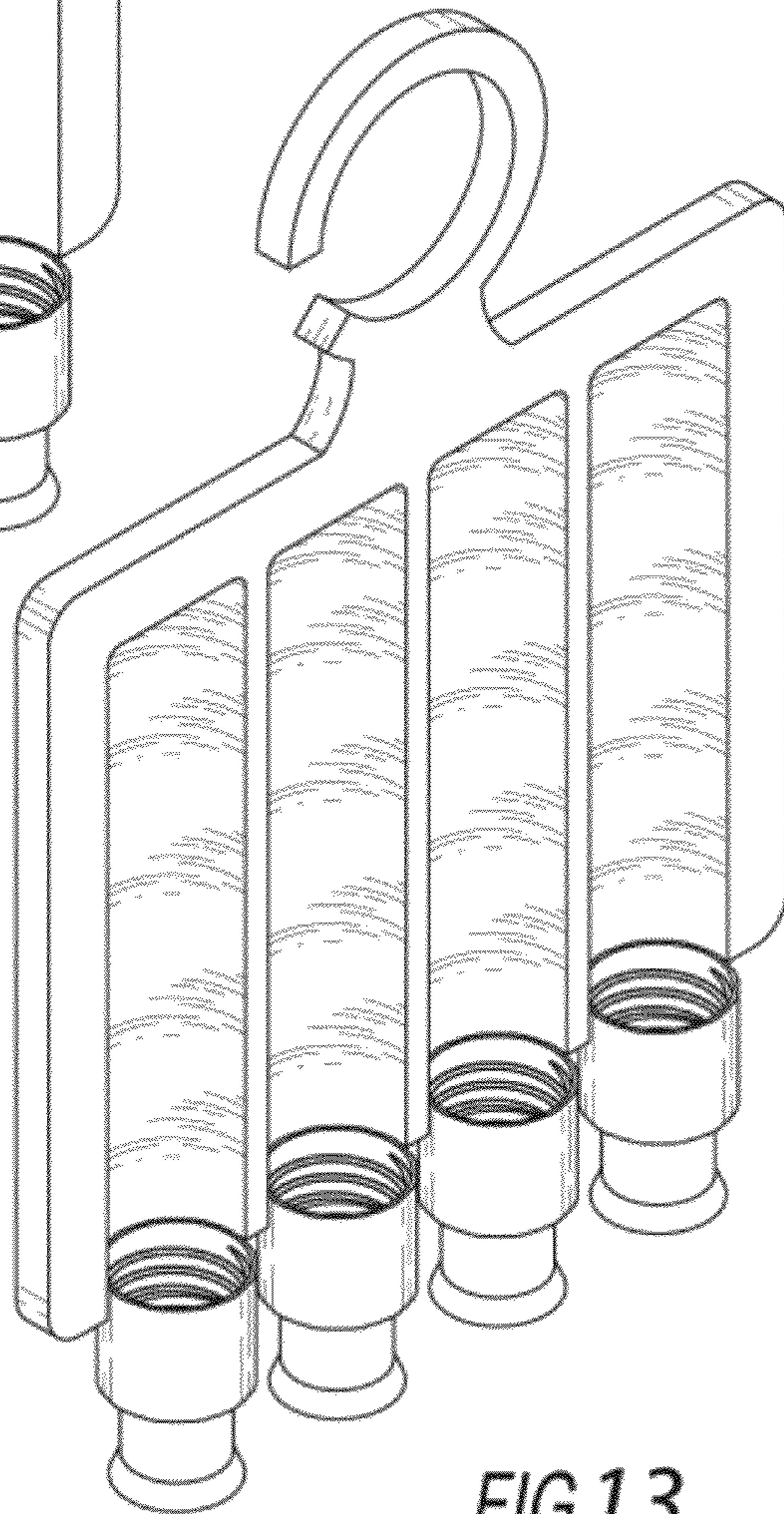


FIG. 13

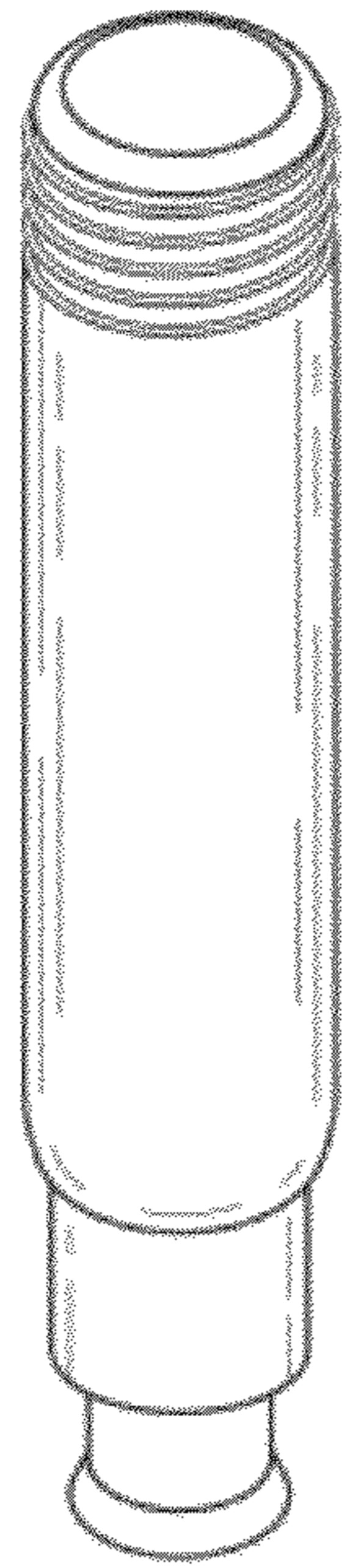


FIG. 14

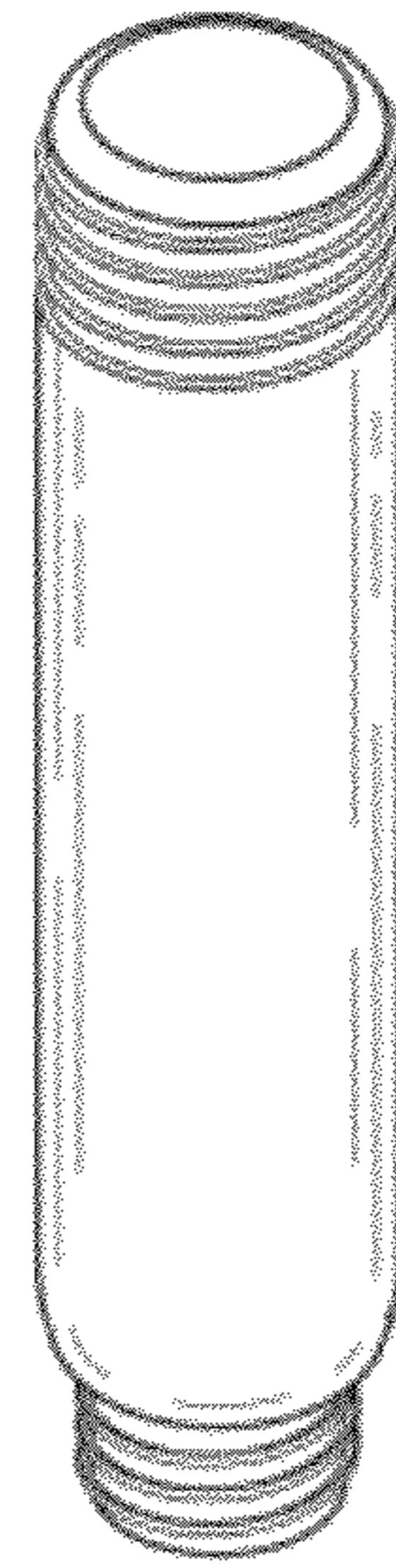


FIG. 15

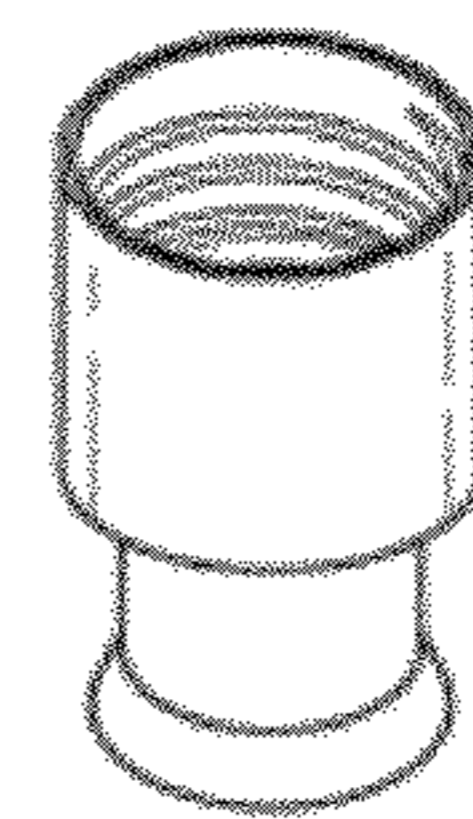


FIG. 16

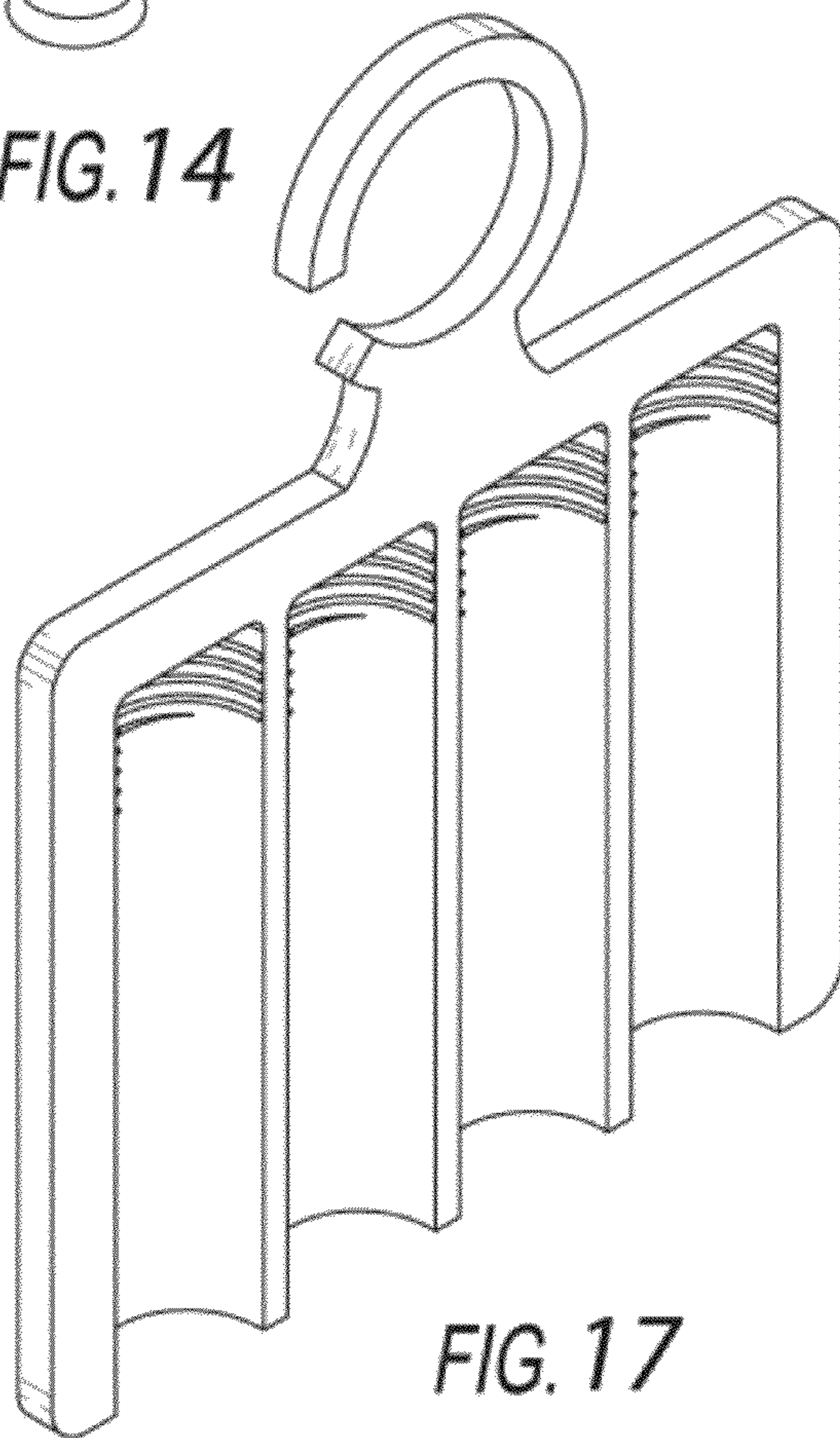


FIG. 17