



US00D657174S

(12) **United States Design Patent**
Yatscoff

(10) **Patent No.:** **US D657,174 S**

(45) **Date of Patent:** **** Apr. 10, 2012**

- (54) **PET WASTE BAG HOLDER**
- (75) Inventor: **Joel J. Yatscoff**, Toronto (CA)
- (73) Assignee: **Umbra LLC**, Buffalo, NY (US)
- (**) Term: **14 Years**
- (21) Appl. No.: **29/408,147**
- (22) Filed: **Dec. 7, 2011**
- (51) **LOC (9) Cl.** **20-02**
- (52) **U.S. Cl.** **D6/518**
- (58) **Field of Classification Search** D6/515-523;
206/225, 233, 389, 391; 211/13.1; 222/173,
222/180; 221/26, 33, 282-283, 61; 242/270,
242/590; 248/309.1, 309.2, 905; 225/106
See application file for complete search history.

D521,781 S	5/2006	Edwards	
D522,286 S *	6/2006	Edwards	D6/518
D522,780 S *	6/2006	Sellars	D6/518
D549,099 S *	8/2007	Edwards	D6/518
D564,269 S *	3/2008	Paal et al.	D6/518
D576,433 S	9/2008	Che	
7,850,039 B1	12/2010	Tsengas	
8,061,305 B2	11/2011	Sugalski	
D650,622 S *	12/2011	Morand	D6/518
2003/0075117 A1	4/2003	Lin	
2004/0200438 A1	10/2004	Jeffrey	
2005/0263107 A1	12/2005	Stephanos	
2006/0124076 A1	6/2006	Tseng	
2007/0267531 A1	11/2007	Petersen	
2011/0239957 A1	10/2011	Washington	

* cited by examiner

Primary Examiner — Brian N Vinson

(74) *Attorney, Agent, or Firm* — Simpson & Simpson, PLLC

(56) **References Cited**

U.S. PATENT DOCUMENTS

D16,540 S	2/1886	Bruce	
D216,897 S	3/1970	Meath	
D269,301 S	6/1983	Deibert	
D298,579 S	11/1988	Brummett	
5,363,809 A	11/1994	Roe	
5,441,017 A	8/1995	Lindsay	
D372,564 S	8/1996	Casey	
D378,460 S	3/1997	Hendrikse	
D419,271 S	1/2000	Camino et al.	
D434,194 S	11/2000	Bergquist	
6,223,695 B1	5/2001	Edwards et al.	
D464,179 S *	10/2002	Petersen et al.	D6/518
D498,955 S	11/2004	Edwards	
D502,622 S *	3/2005	Berger	D6/515

(57) **CLAIM**

The ornamental design for a pet waste bag holder, as shown and described.

DESCRIPTION

FIG. 1 is a top front perspective view of the present invention pet waste bag holder;

FIG. 2 is a front elevational view of the invention;

FIG. 3 is a rear elevational view of the invention;

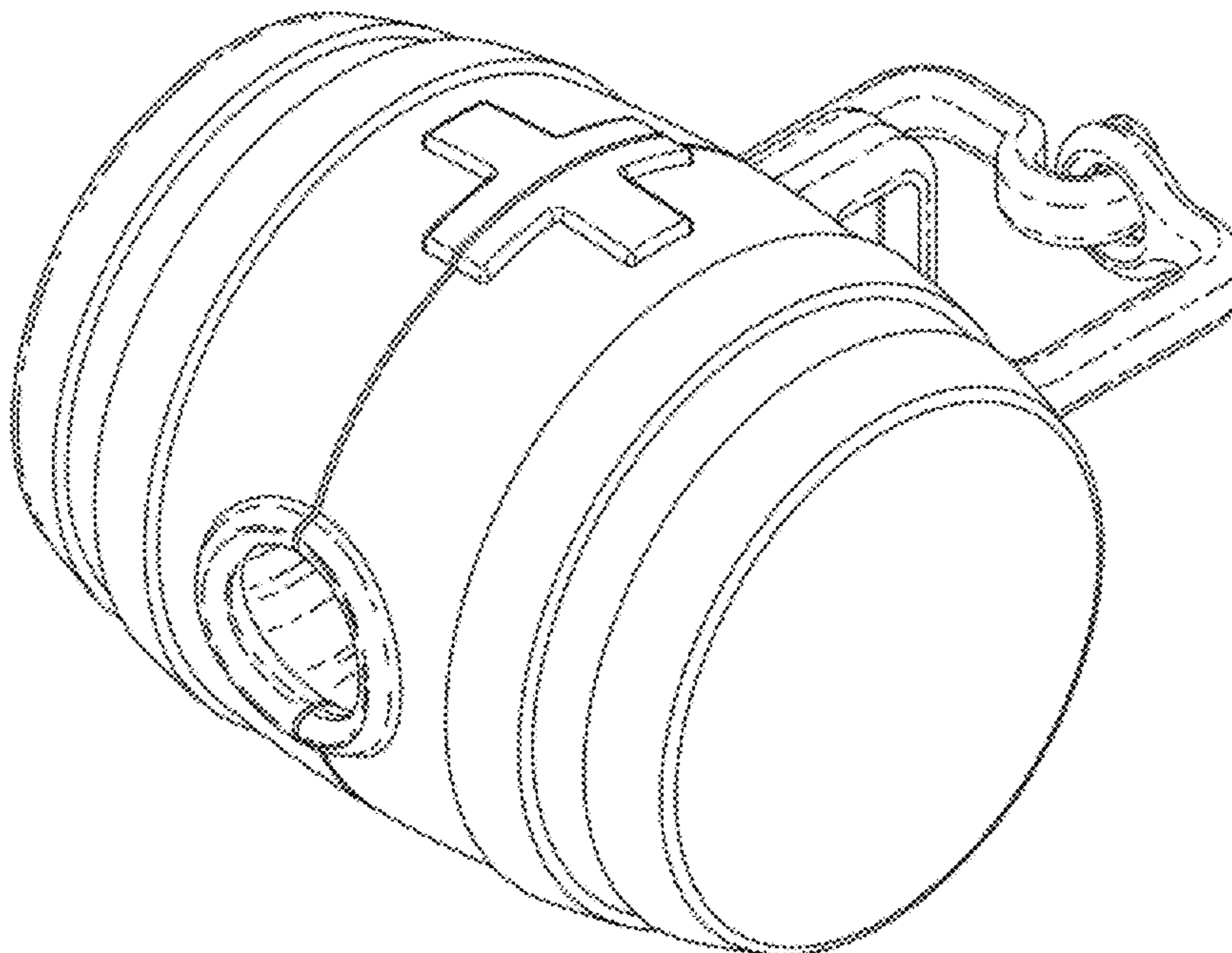
FIG. 4 is a top plan view of the invention;

FIG. 5 is a bottom plan view of the invention;

FIG. 6 is a left side elevational view of the invention; and,

FIG. 7 is a right side elevational view of the invention.

1 Claim, 7 Drawing Sheets



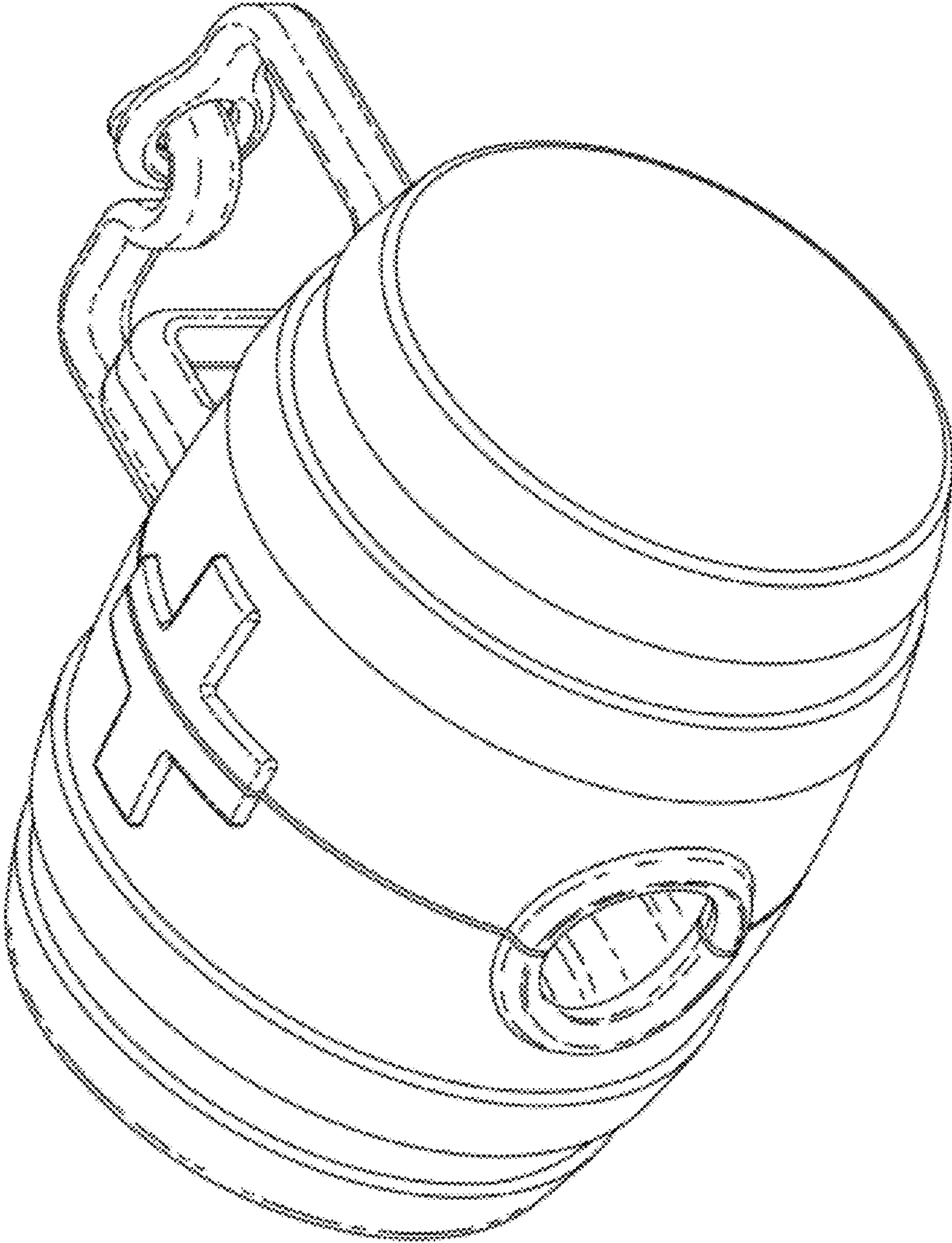


Fig. 1

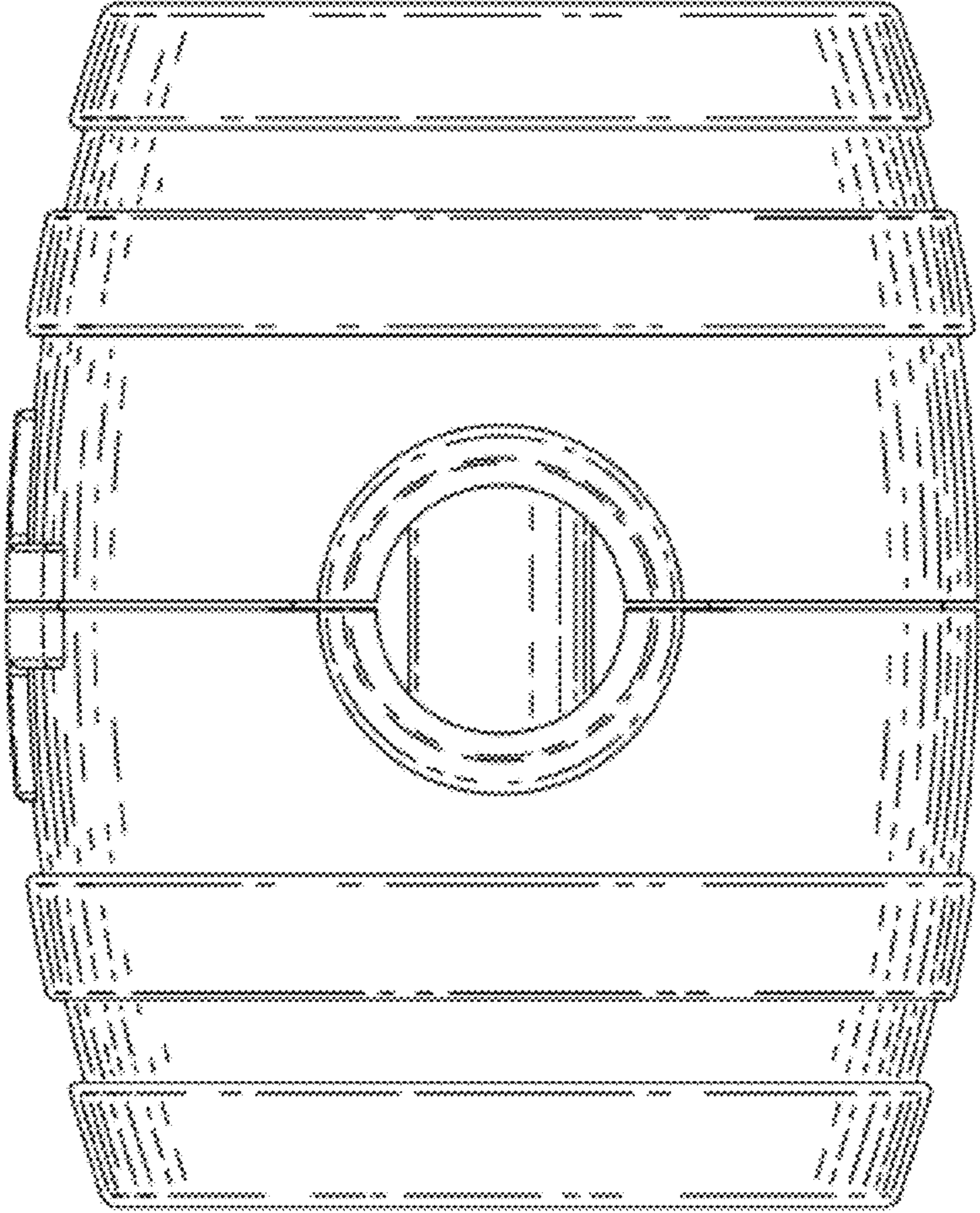


Fig. 2

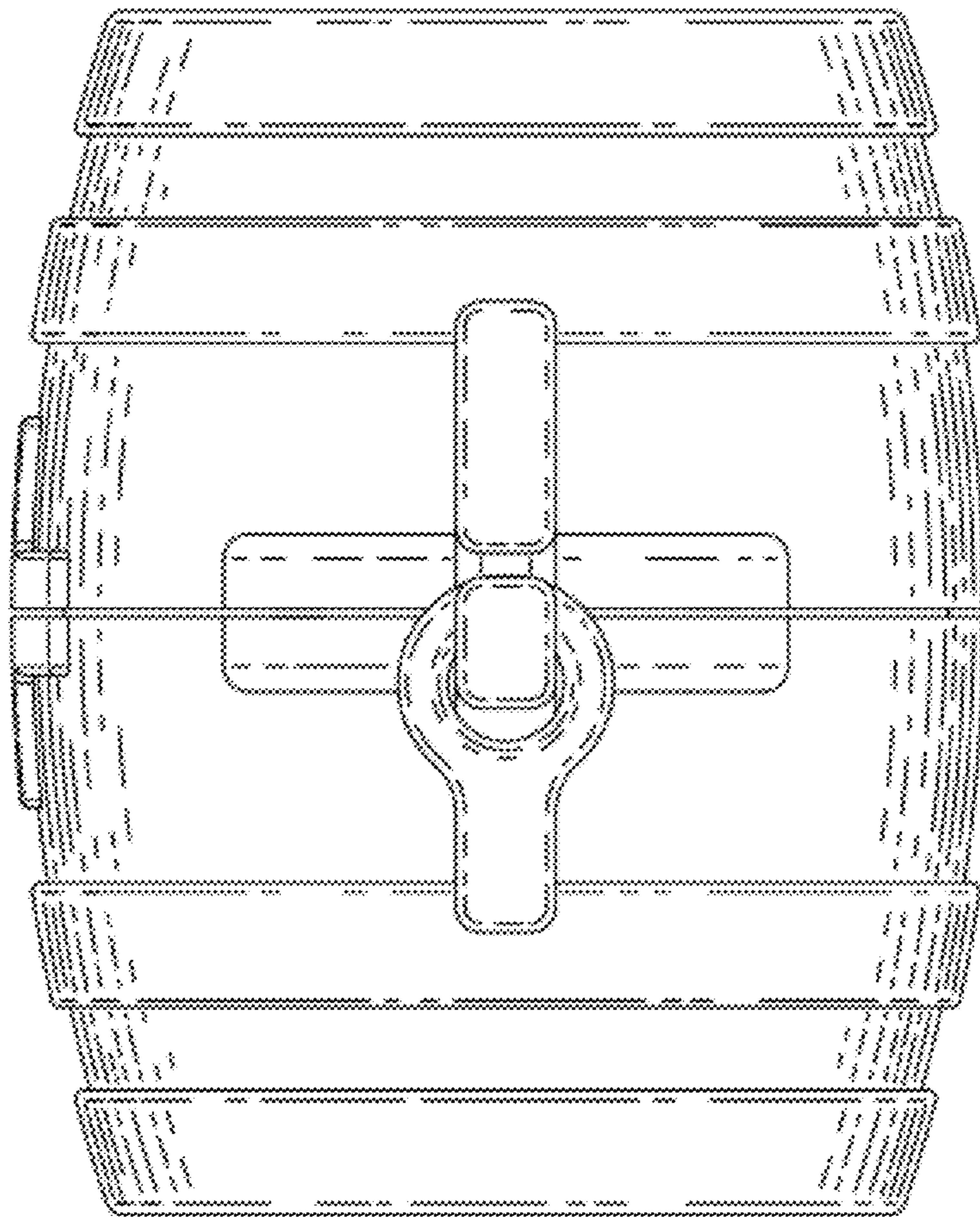


Fig. 3

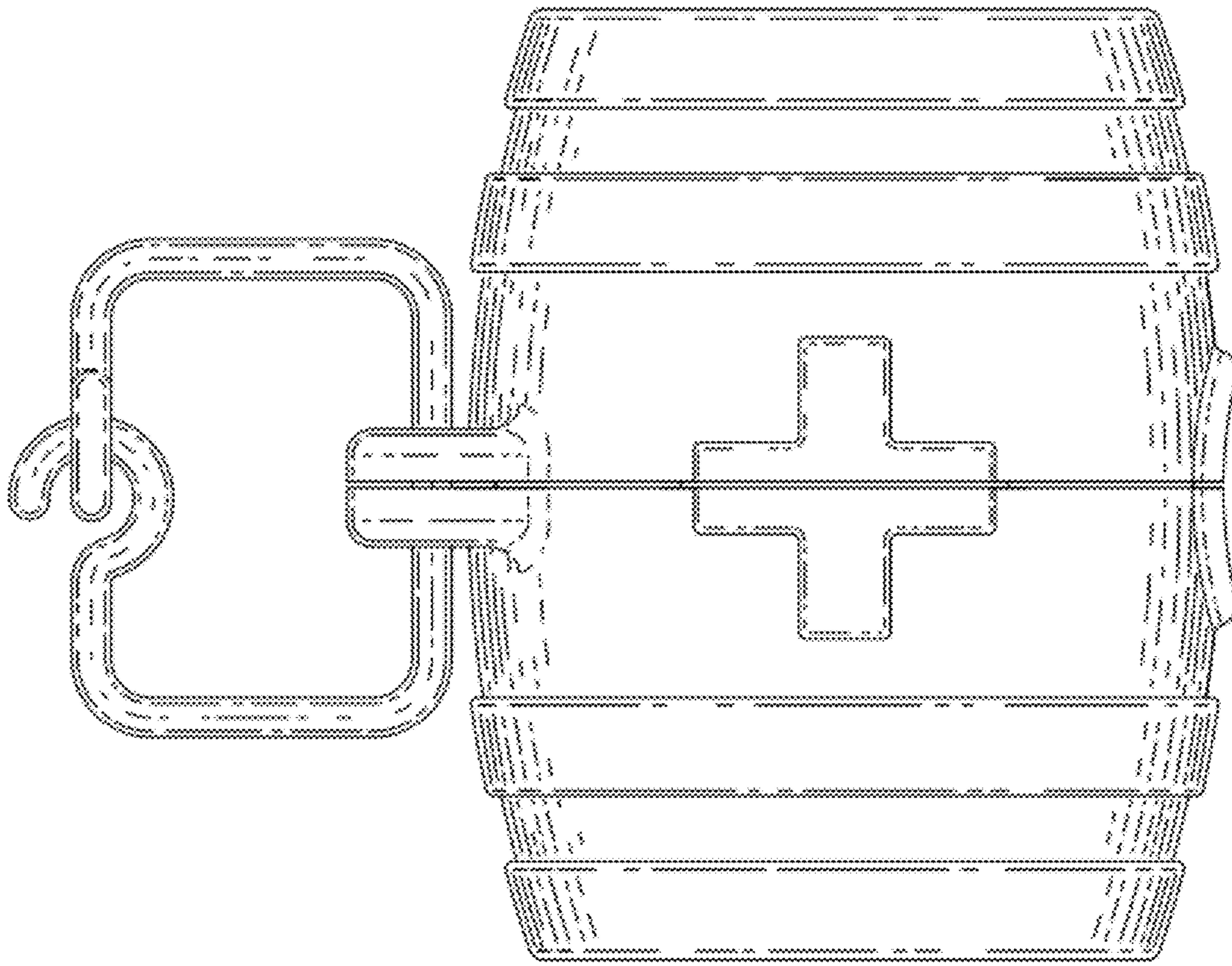


Fig. 4

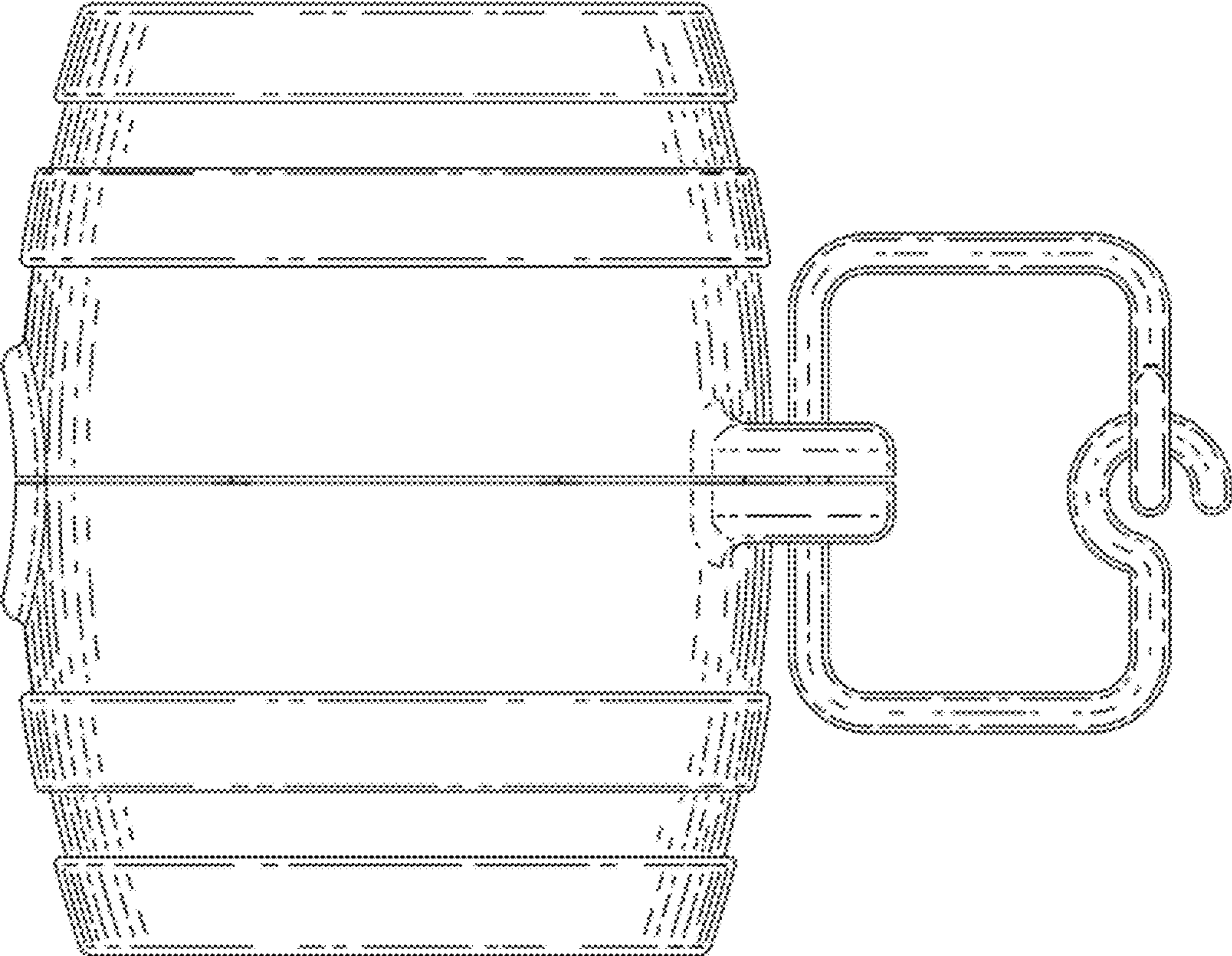


Fig. 5

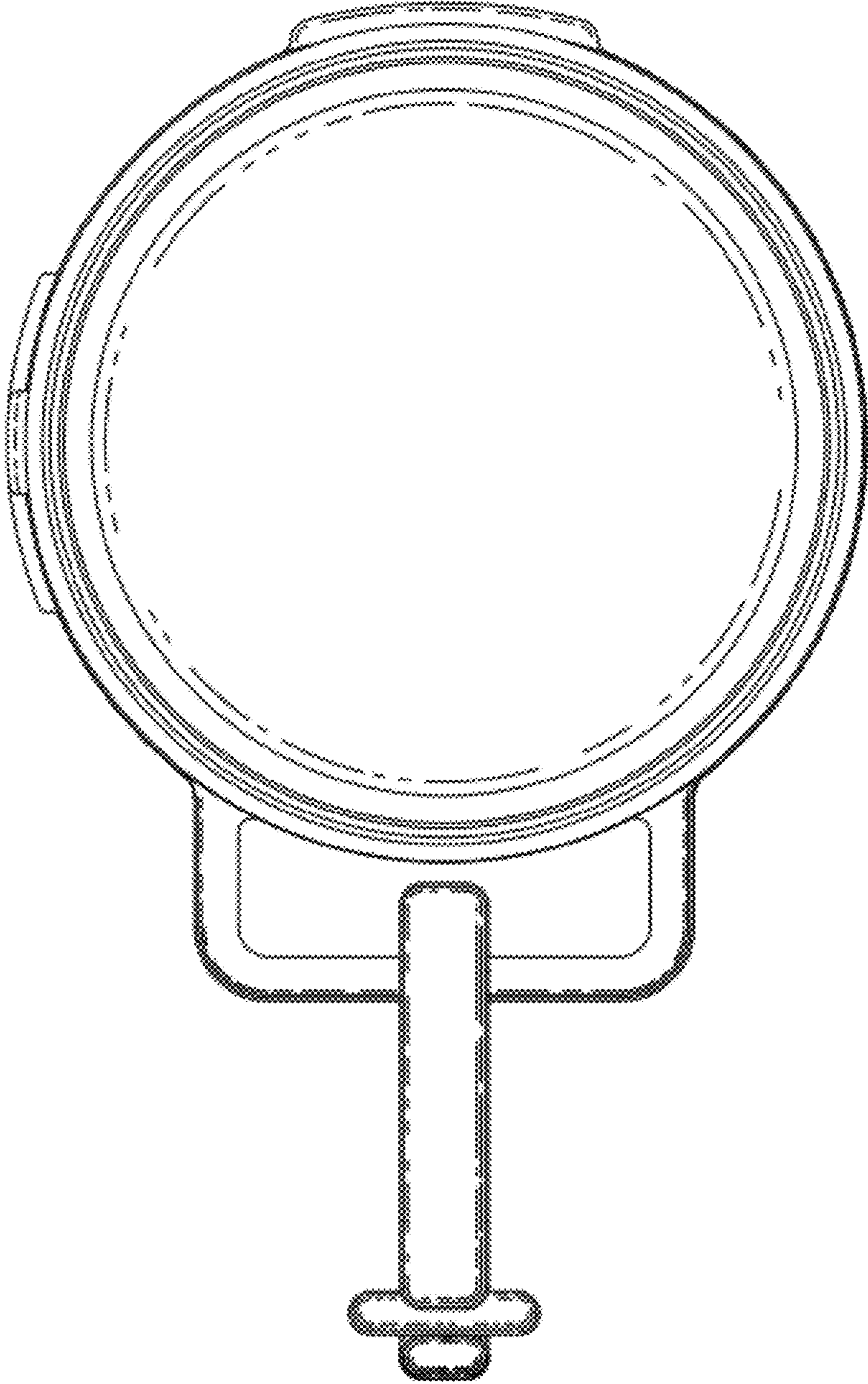


Fig. 6

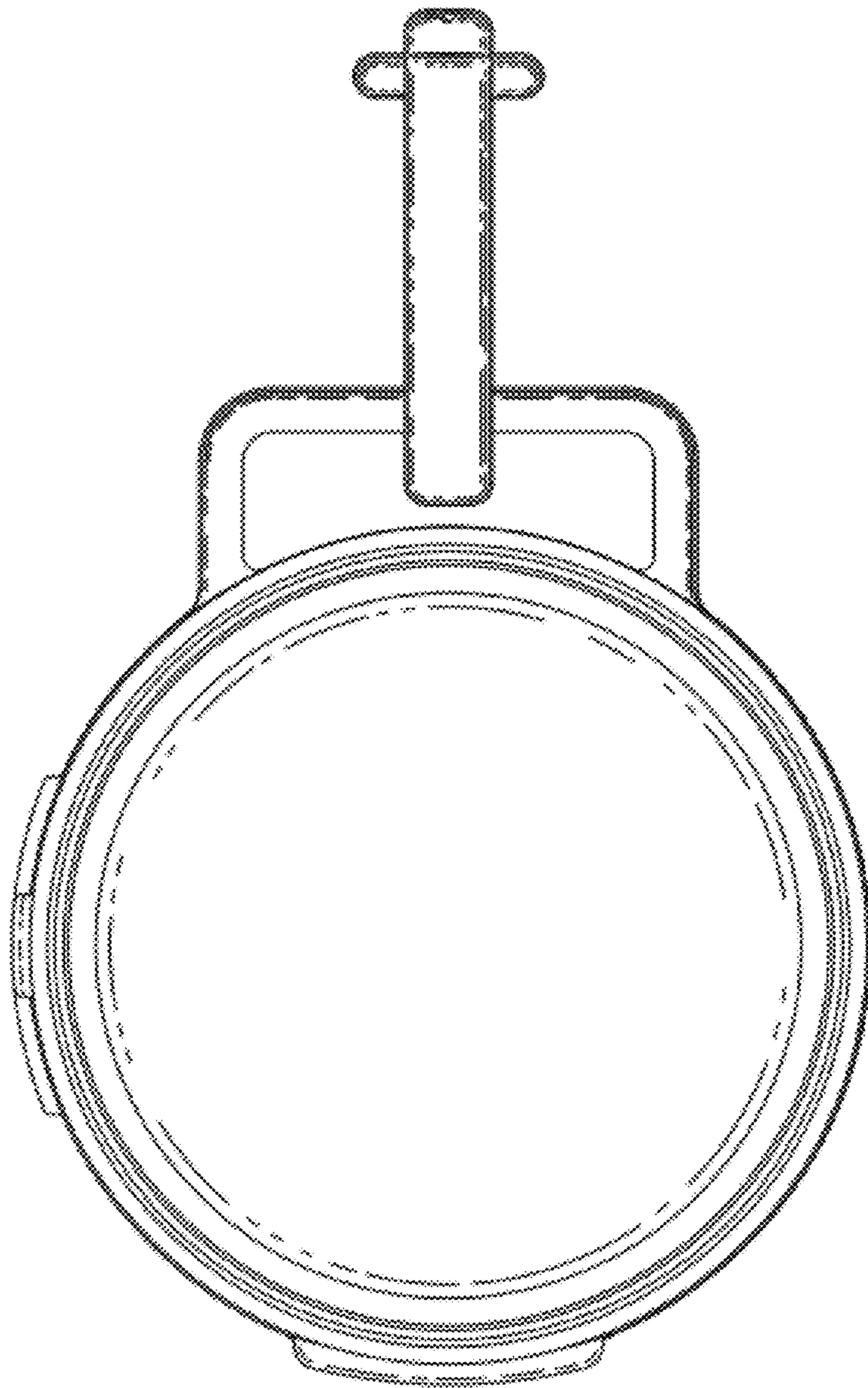


Fig. 7