



US00D657173S

(12) **United States Design Patent**
Kluck

(10) **Patent No.:** **US D657,173 S**
(45) **Date of Patent:** **** Apr. 10, 2012**

(54) **DISPENSER**

(75) Inventor: **Scott M. Kluck**, Mequon, WI (US)

(73) Assignee: **Bradley Corporation**, Menomonee Falls, WI (US)

(**) Term: **14 Years**

(21) Appl. No.: **29/385,921**

(22) Filed: **Feb. 22, 2011**

Related U.S. Application Data

(63) Continuation-in-part of application No. 29/379,126, filed on Nov. 15, 2010.

(51) **LOC (9) Cl.** **20-02**

(52) **U.S. Cl.** **D6/518**

(58) **Field of Classification Search** D6/515-523;
206/225, 233, 389, 391; 211/13.1; 222/173,
222/180; 221/26, 33, 282-283, 61; 242/270,
242/590; 248/309.1, 309.2, 905; 225/106

See application file for complete search history.

(56) **References Cited**

U.S. PATENT DOCUMENTS

4,617,655	A	10/1986	Aldenhoven
4,707,933	A	11/1987	Keck et al.
4,949,877	A	8/1990	Hanna et al.
4,964,544	A	10/1990	Hanna et al.
D332,194	S	1/1993	Hines
D332,195	S	1/1993	Hines
D332,196	S	1/1993	Hines
D332,365	S	1/1993	Hines
D332,542	S	1/1993	Hines
D332,679	S	1/1993	Hines
D332,849	S	1/1993	Hines
D334,266	S	3/1993	Hines
5,226,625	A	7/1993	Hanna

D338,361	S	8/1993	Hines
D340,374	S	10/1993	Hines
D341,724	S	11/1993	Hines
5,261,619	A	11/1993	Merriweather
D342,175	S	12/1993	Hines

(Continued)

OTHER PUBLICATIONS

Big Willy Toilet Paper Dispenser, believed to have been publicly available before Nov. 15, 2010, 1 page.

(Continued)

Primary Examiner — Brian N Vinson

(74) *Attorney, Agent, or Firm* — Foley & Ladner LLP

(57) **CLAIM**

I claim the ornamental design for a dispenser, as shown and described.

DESCRIPTION

FIG. 1 is a perspective view from above of a dispenser showing my new design;

FIG. 2 is a second perspective view from above of the claimed design of FIG. 1;

FIG. 3 is a front view of the claimed design of FIG. 1;

FIG. 4 is a rear view of the claimed design of FIG. 1;

FIG. 5 is a left side view of the claimed design of FIG. 1;

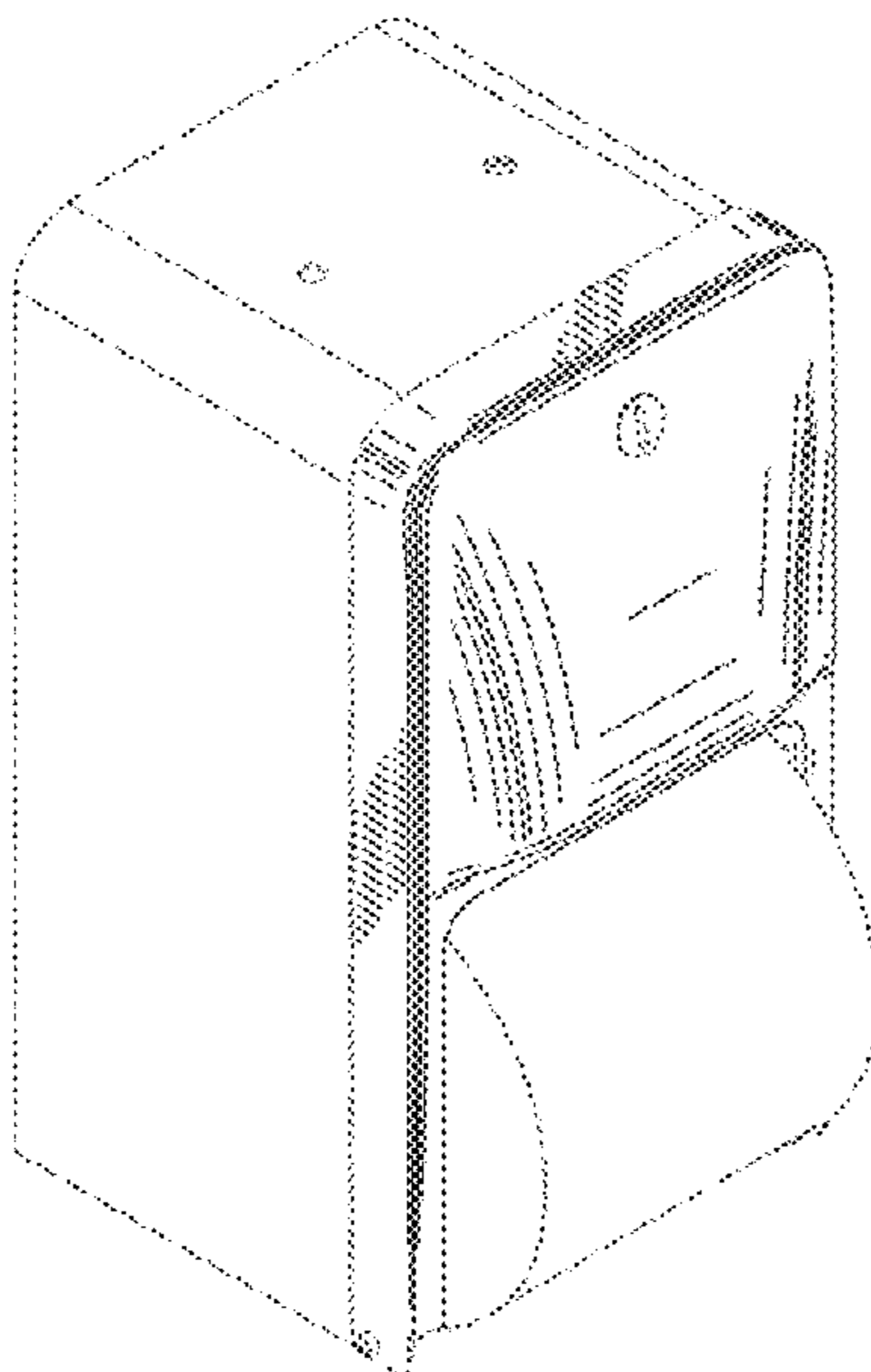
FIG. 6 is a right side view of the claimed design of FIG. 1;

FIG. 7 is a top view of the claimed design of FIG. 1; and,

FIG. 8 is a bottom view of the claimed design of FIG. 1.

The ornamental design which is claimed is shown in solid lines in the drawings. The broken lines in the drawings are for illustrative purposes only and form no part of the claimed design.

1 Claim, 8 Drawing Sheets



U.S. PATENT DOCUMENTS

5,605,265 A 2/1997 Hanna
 D385,445 S 10/1997 Arbak et al.
 D401,708 S 11/1998 Arbak et al.
 5,957,324 A 9/1999 Gettelman et al.
 D416,726 S 11/1999 Kurti et al.
 5,988,451 A 11/1999 Hanna
 D426,412 S 6/2000 Cameron
 6,119,901 A 9/2000 Hanna et al.
 6,129,245 A 10/2000 Redman et al.
 6,131,771 A 10/2000 Hanna
 6,276,027 B1 8/2001 Hanna
 6,502,721 B2 1/2003 Redman et al.
 D482,221 S * 11/2003 Phelps et al. D6/518
 D493,312 S * 7/2004 Collins et al. D6/518
 D520,277 S * 5/2006 Smiley et al. D6/518
 D522,781 S * 6/2006 Wieser et al. D6/518
 D546,081 S 7/2007 Babikian et al.
 D550,999 S * 9/2007 Formon et al. D6/518
 D553,402 S * 10/2007 Orgna et al. D6/518
 D579,249 S * 10/2008 Omdoll et al. D6/518
 D594,754 S * 6/2009 Dretzka D6/518
 D598,687 S * 8/2009 Serfaty D6/518
 D615,332 S * 5/2010 Meyerhoffer D6/523
 D620,290 S * 7/2010 Herrera D6/518
 D621,644 S * 8/2010 Johnson D6/515
 D623,453 S * 9/2010 Benedetti D6/518
 D641,578 S * 7/2011 Meyerhoffer D6/518
 D648,585 S * 11/2011 Meyerhoffer D6/518
 D650,622 S * 12/2011 Morand D6/518
 2002/0100771 A1 8/2002 Redman et al.
 2003/0071074 A1 4/2003 Redman et al.
 2004/0164093 A1 8/2004 Redman et al.
 2005/0133529 A1 6/2005 Redman et al.

2007/0023565 A1 2/2007 Babikian et al.
 2007/0075579 A1 4/2007 Babikian et al.
 2007/0151980 A1 7/2007 Babikian et al.
 2008/0251528 A1 10/2008 Babikian et al.

OTHER PUBLICATIONS

Columbia Accessories: A Division of PSiSC, 2009 Washroom Accessories Catalog, <http://www.psiscc.com/catalogs/acc.pdf>, Accessed Mar. 3, 2011, 2 pages.
 Durchdacht bis ins Detail, Photos of Trash Receptacle, Paper Towel Dispenser, Toilet Paper Dispenser, Soap Dispenser, believed to have been publicly available before Nov. 15, 2010, 2 pages.
 Ille Folded Paper and Soap Dispenser, believed to have been publicly available before Nov. 15, 2010, 1 page.
 Palmer Fixture, Blustorm Hands Free High Speed Dryer, Hands-Free Universal Roll Towel Dispensers, <http://palmerfixture.com/product.php?id=194492>, Accessed Jul. 15, 2009, 1 page.
 Palmer Fixture, Soap Dispenser Bulk Electronic SE800, <http://www.palmerfixture.com/product.php?id=191859>, Accessed Jul. 15, 2009, 1 page.
 Paper Towel Dispenser and Tissue Dispenser, ABS Plastic, http://www.allproducts.com/household/fanda/16-pull_towel_dispenser.html, Accessed Jul. 15, 2009, 1 page.
 Pro Cleaning Solutions: Paper Products: Sofpull Centrepull Towel Di, <http://procleaning.com/xcart/product.php?productid=176&cat=3&page=5>, Accessed Jul. 15, 2009, 1 page.
 The Royal Connection, American Specialties, Inc., bearing a designation, © 2009, 8 pages.
 Washroom Accessories Bobrick Color Catalog, believed to have been publicly available before Nov. 15, 2010, 52 pages.

* cited by examiner

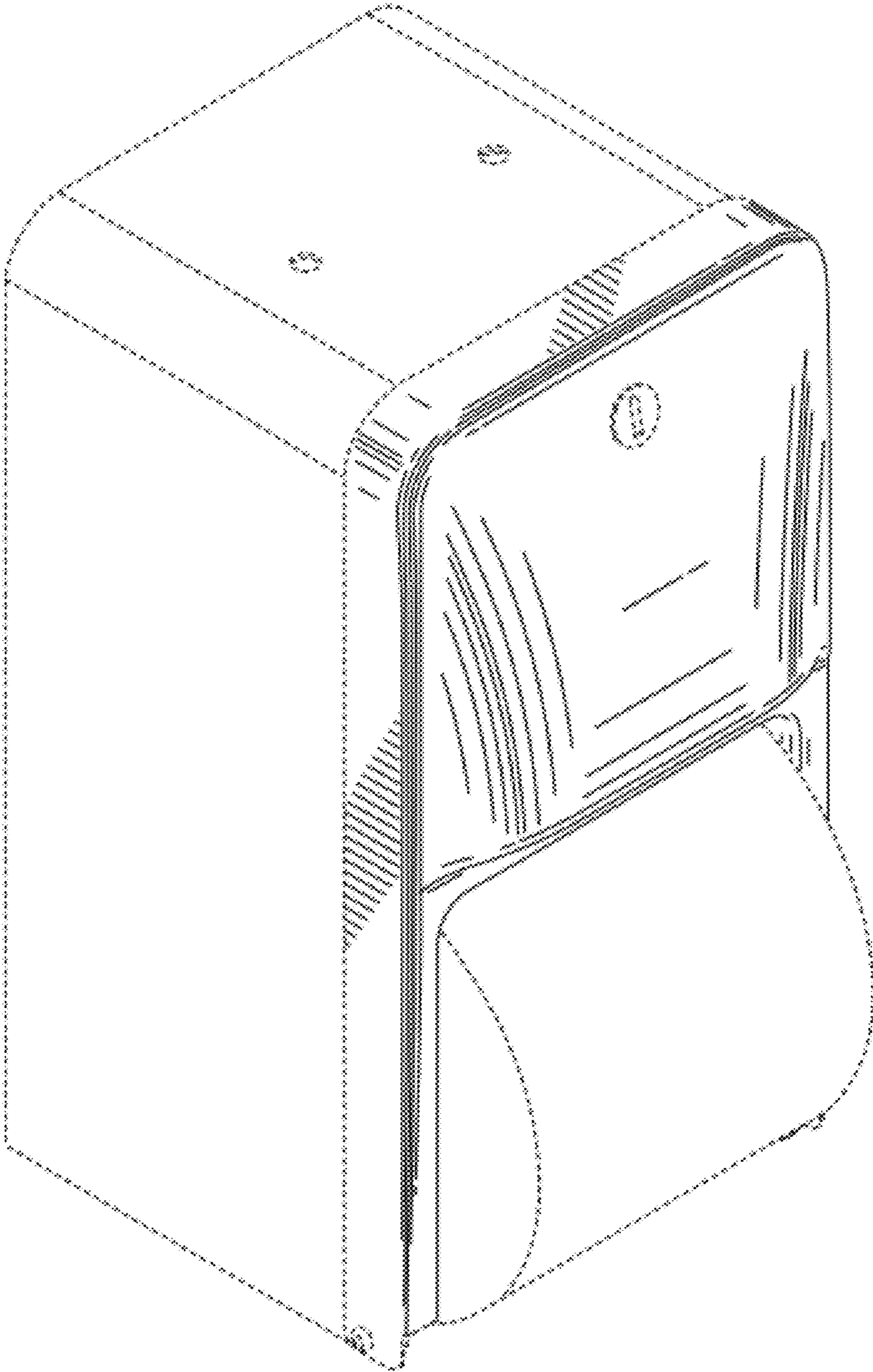


FIG. 1

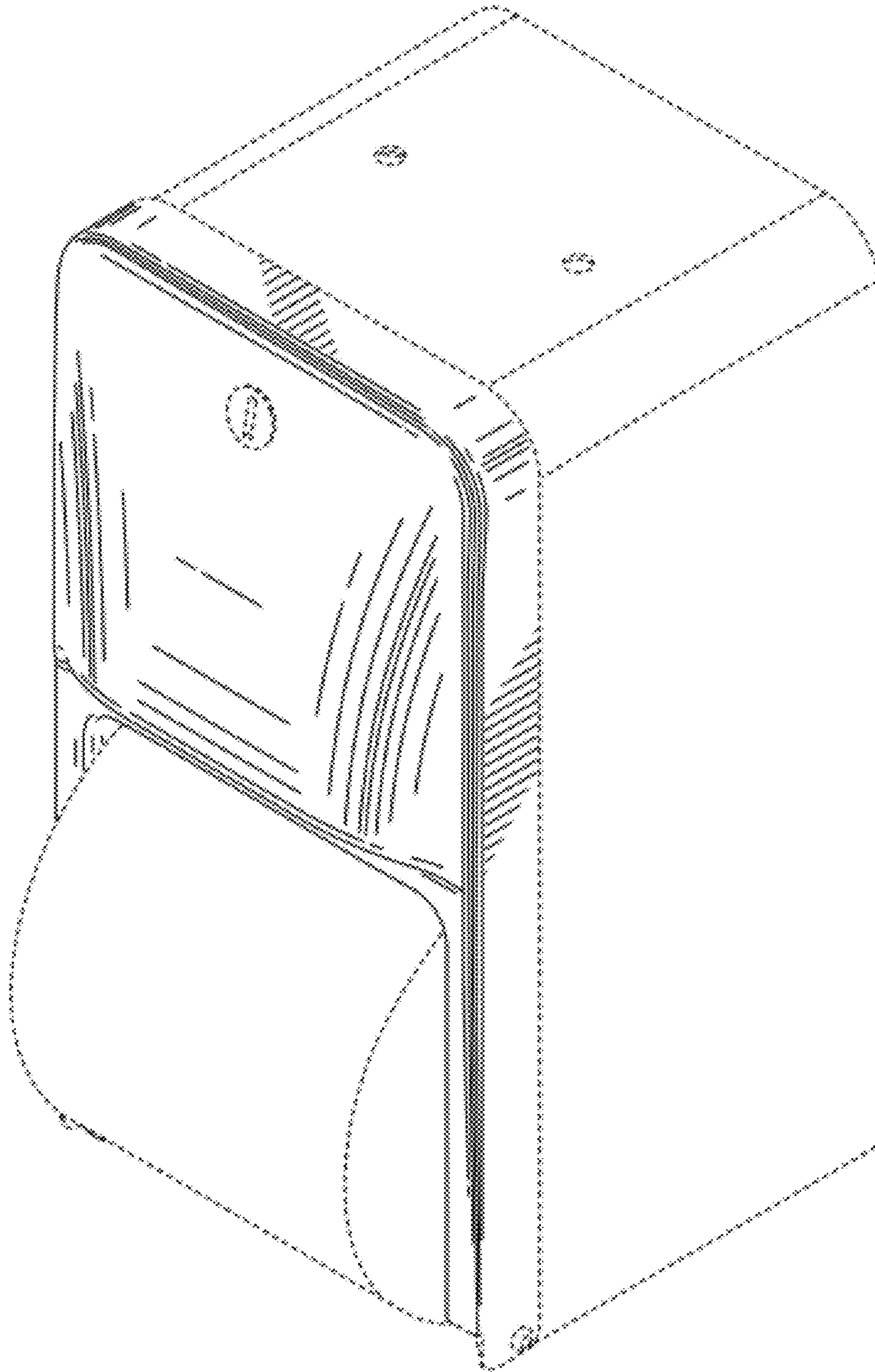


FIG. 2

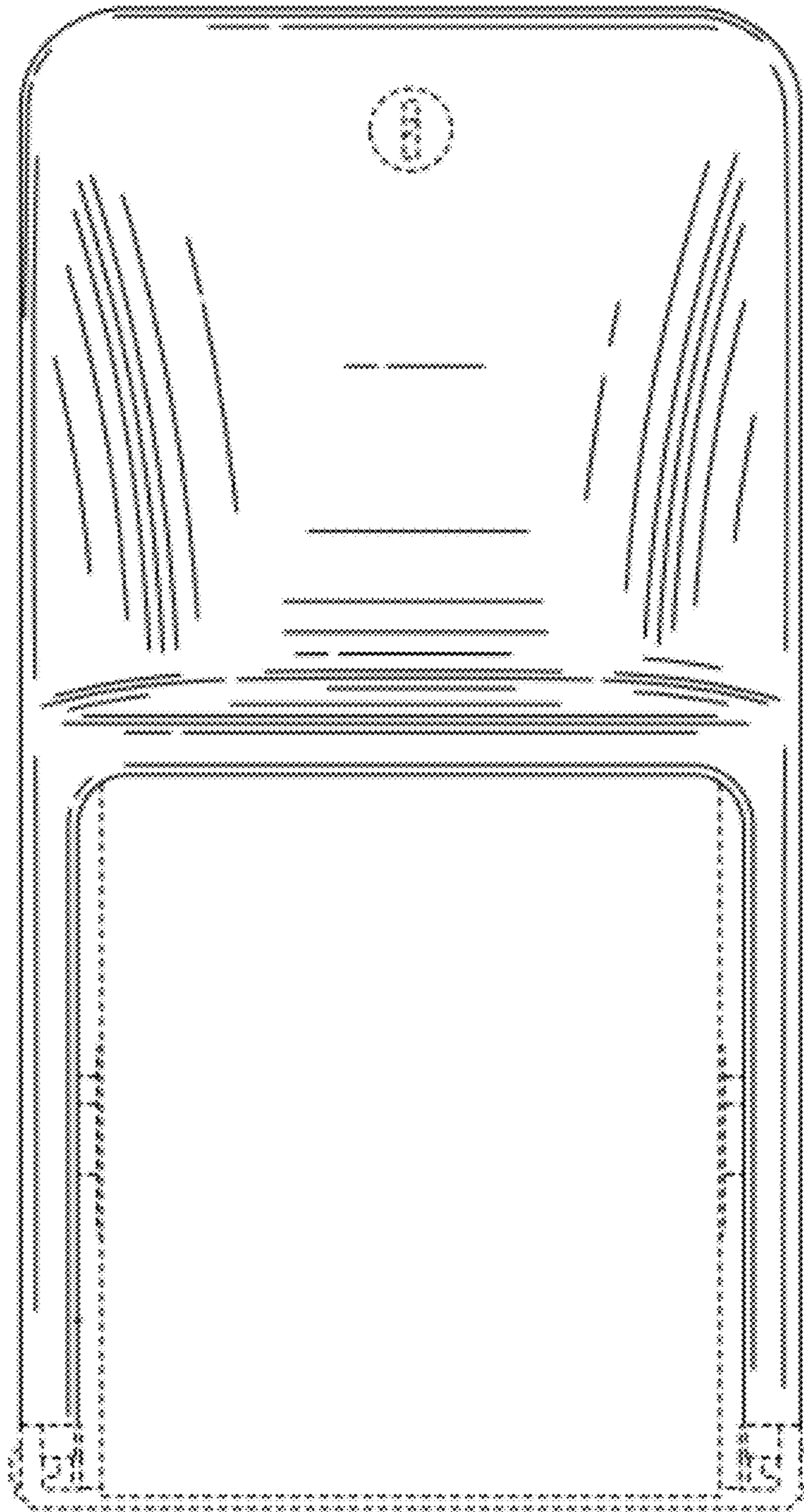


FIG. 3

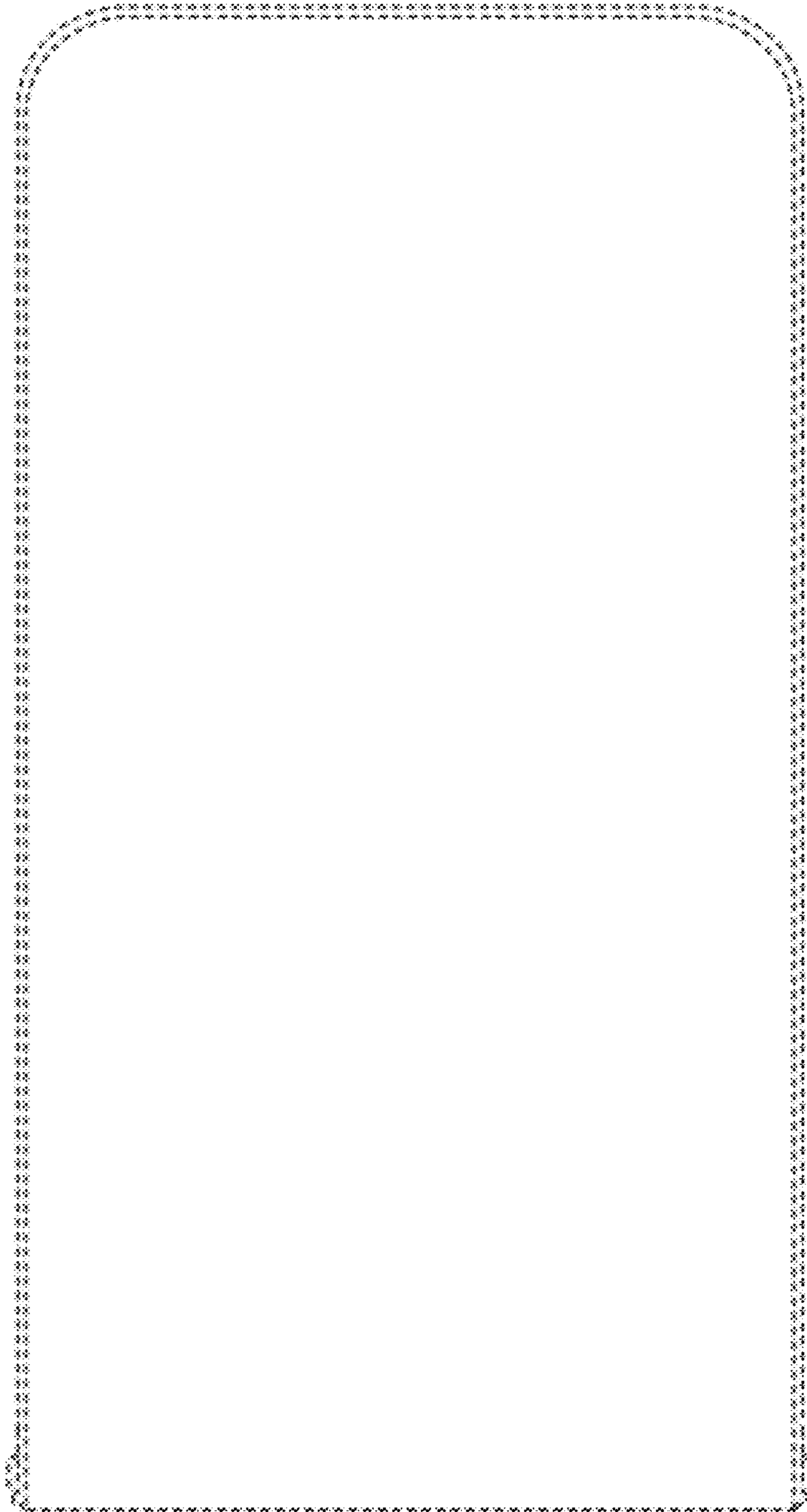


FIG. 4

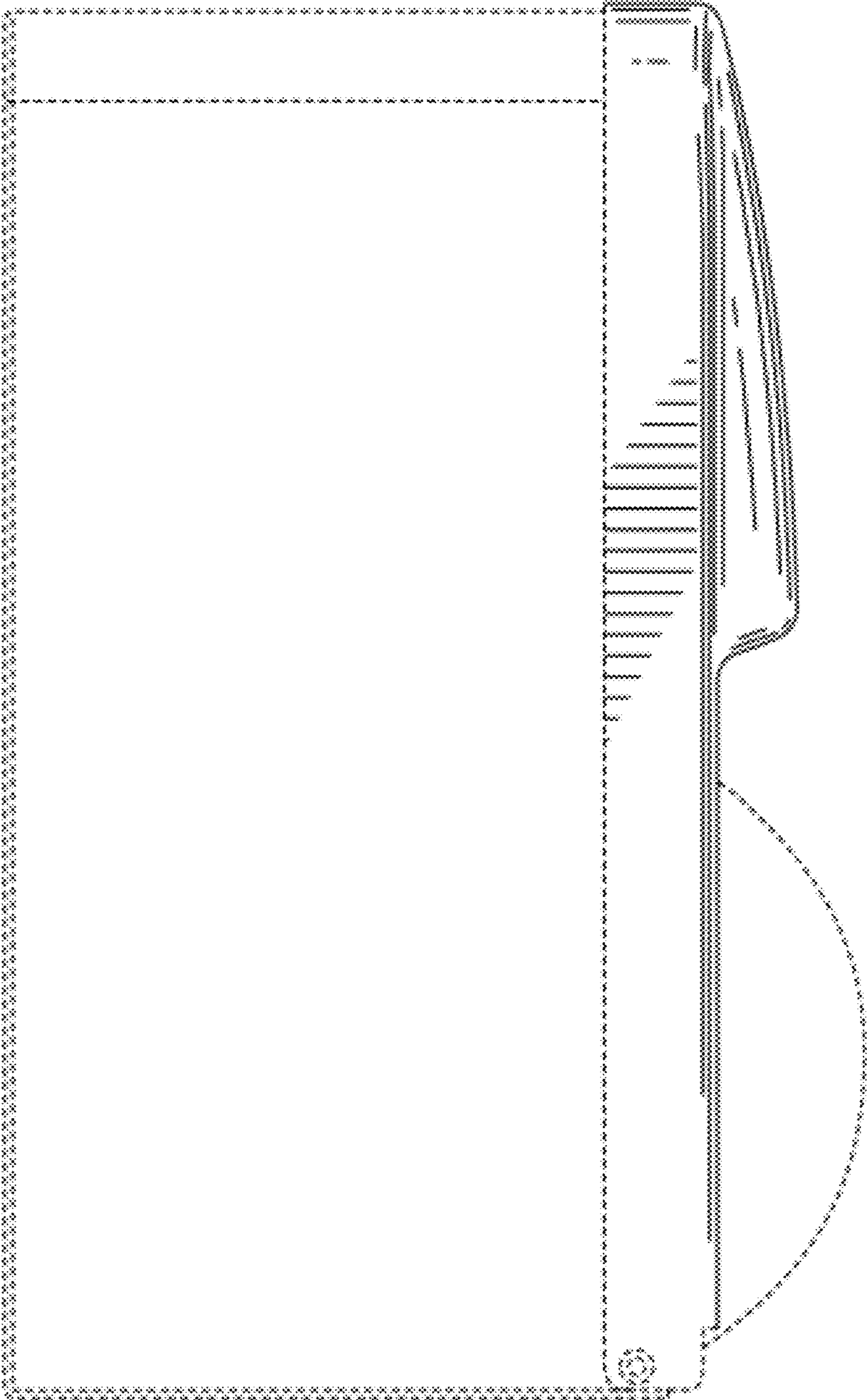


FIG. 5

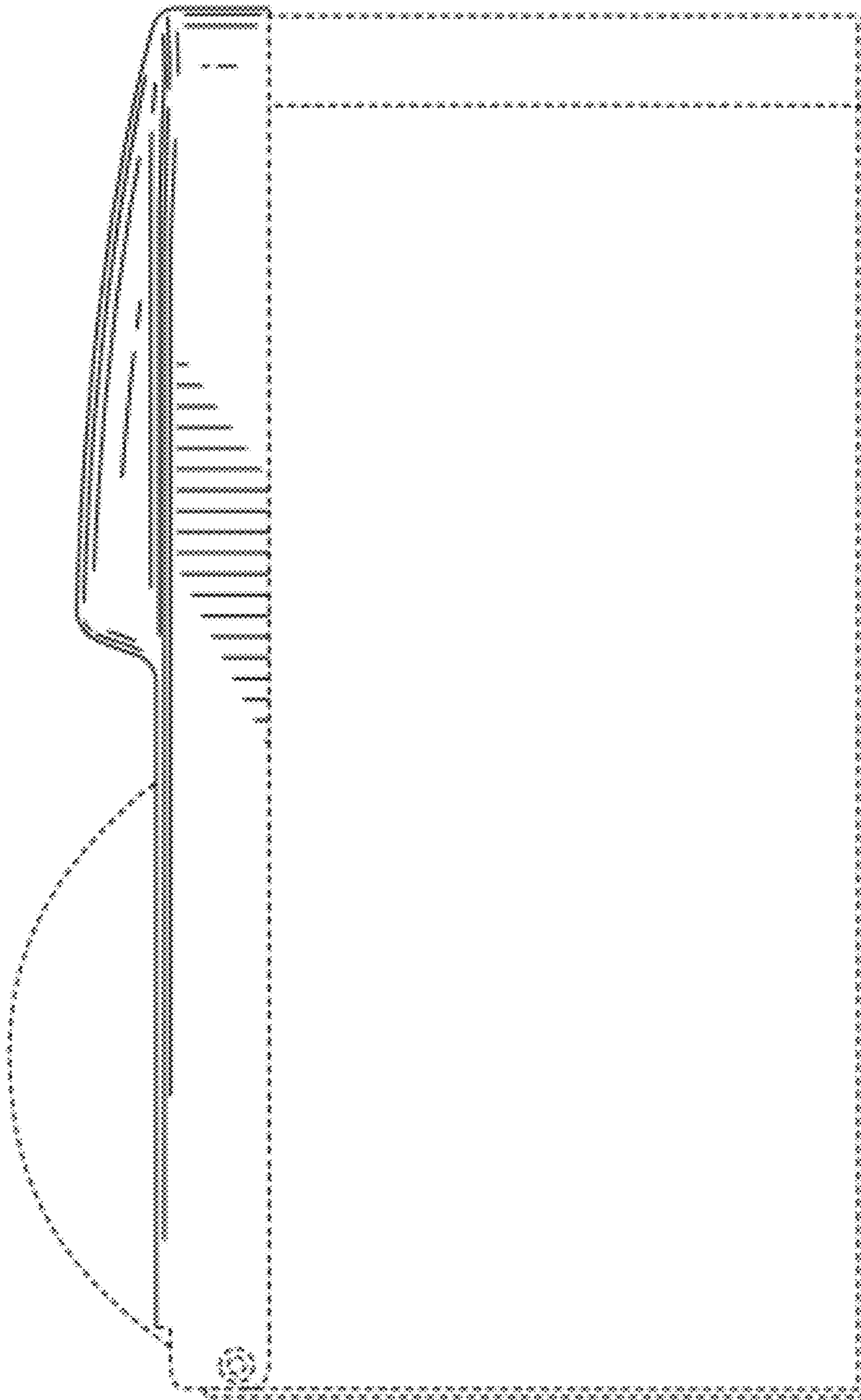


FIG. 6

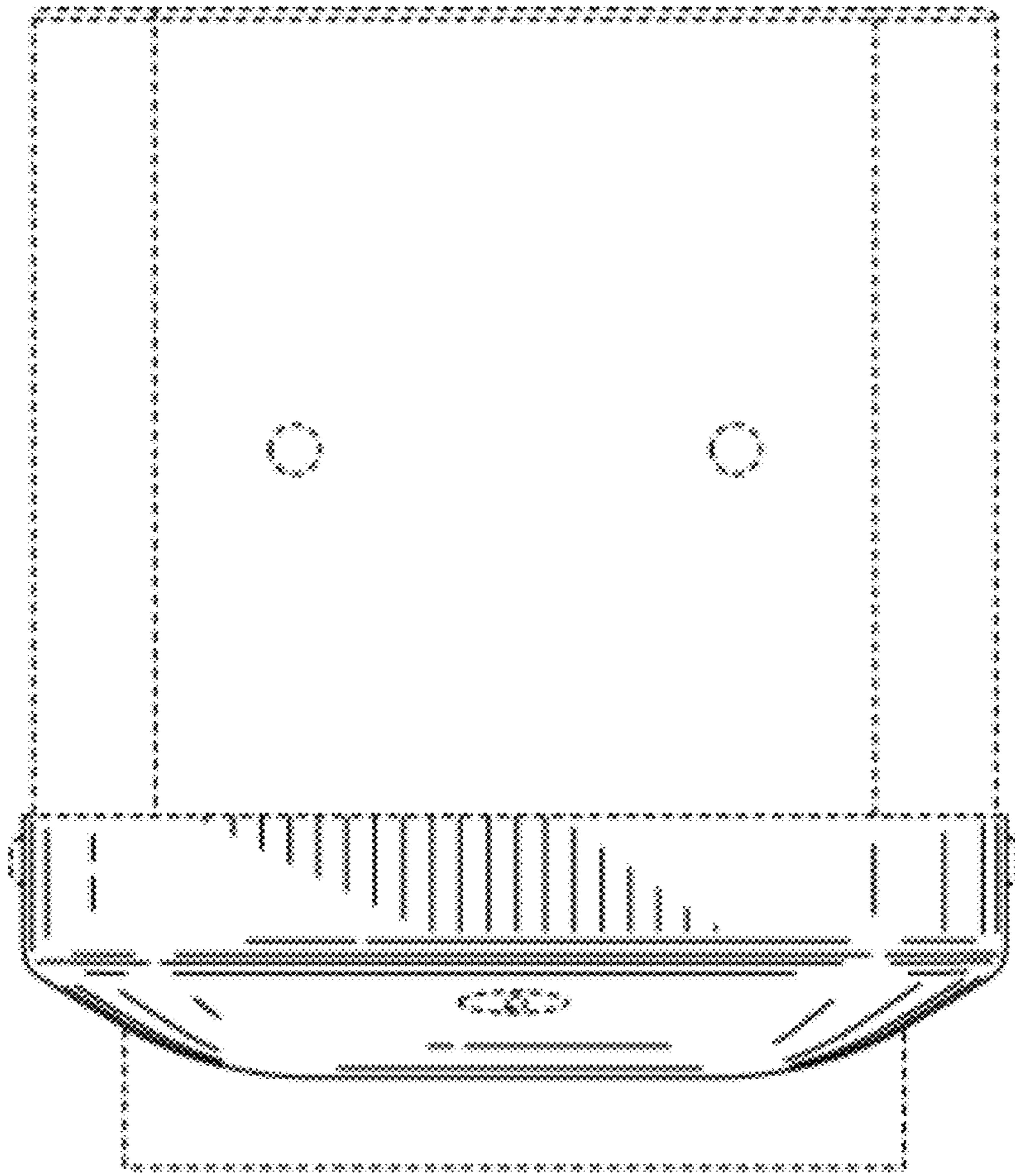


FIG. 7

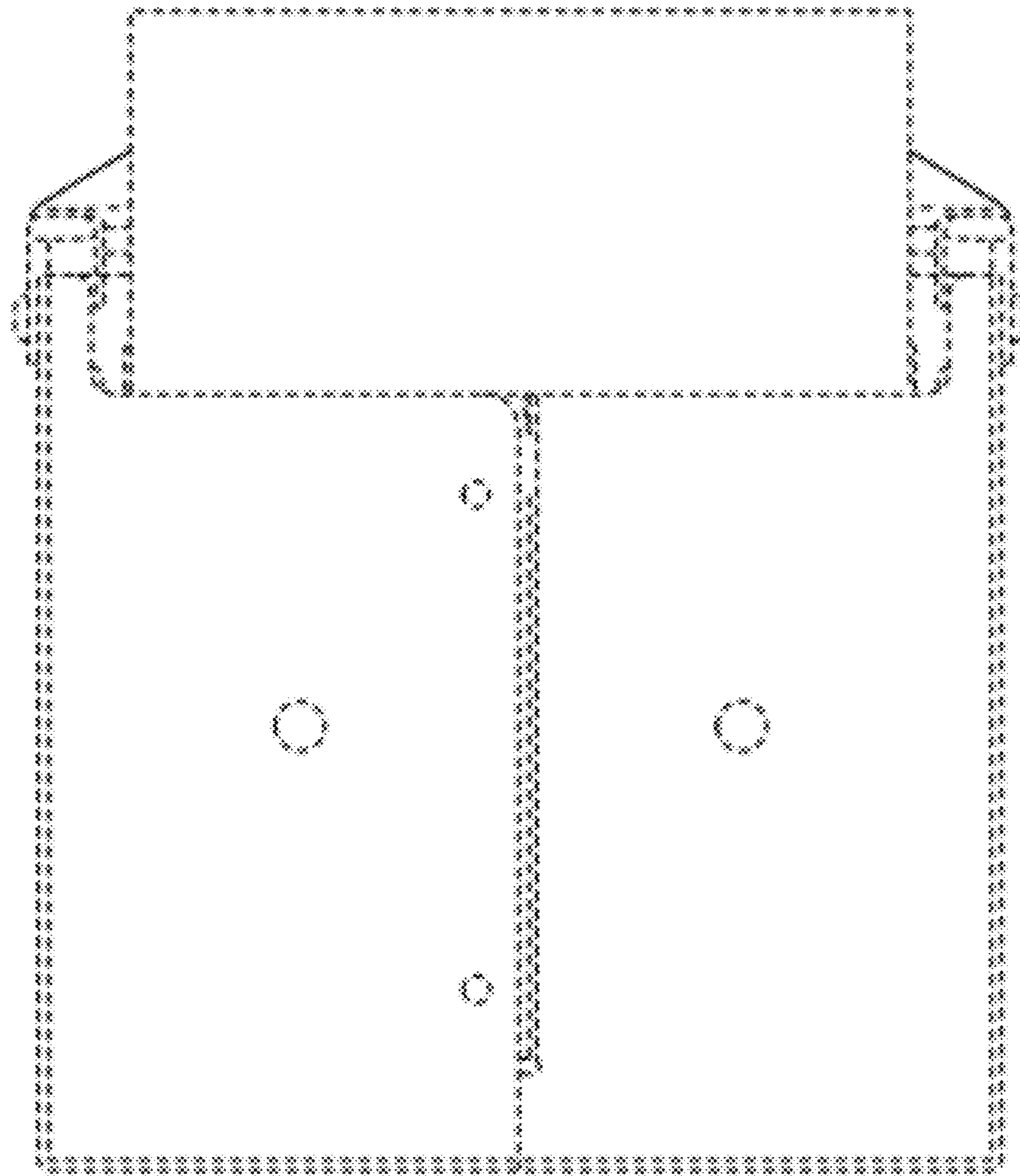


FIG. 8