



US00D657171S

(12) **United States Design Patent**  
**Chapman et al.**

(10) **Patent No.:** **US D657,171 S**  
(45) **Date of Patent:** **\*\* Apr. 10, 2012**

(54) **UNDER SHELF STORAGE DRAWER**

(76) Inventors: **Dean B. Chapman**, Montclair, NJ (US);  
**Edward Kilduff**, New York, NY (US);  
**Gareth Brown**, Jersey City, NJ (US);  
**Olivia Blechschmidt**, Weehawken, NJ (US)

D545,603 S \* 7/2007 Hurt ..... D6/566  
7,281,476 B2 \* 10/2007 Mills et al. .... 108/93  
D588,839 S \* 3/2009 Klein et al. .... D6/462  
2005/0098069 A1 \* 5/2005 Mills et al. .... 108/93

\* cited by examiner

*Primary Examiner* — Janice Seeger

(\*\*) Term: **14 Years**

(21) Appl. No.: **29/387,416**

(22) Filed: **Mar. 13, 2011**

(51) **LOC (9) Cl.** ..... **06-06**

(52) **U.S. Cl.** ..... **D6/510**

(58) **Field of Classification Search** ..... D6/510,  
D6/511, 480-489, 422, 426, 462, 513, 566;  
108/150, 50.01, 50.02, 155, 153.1, 156, 157.13,  
108/161, 157.14; D3/304, 306; 206/513;  
312/194, 195, 223.3, 208.1

See application file for complete search history.

(56) **References Cited**

U.S. PATENT DOCUMENTS

3,338,466 A \* 8/1967 Hare et al. .... 206/507  
D366,980 S \* 2/1996 Sweere ..... D6/510

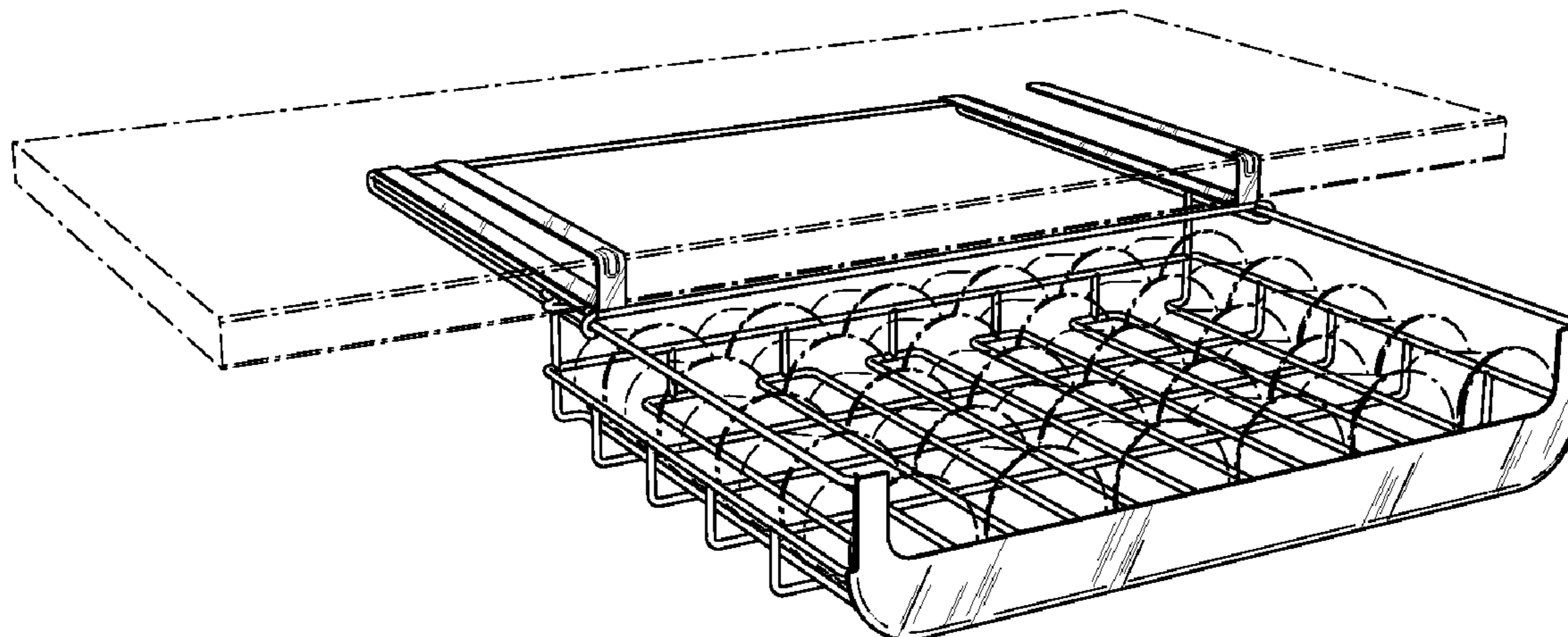
(57) **CLAIM**

The ornamental design for an under shelf storage drawer, as shown and described.

**DESCRIPTION**

FIG. 1 is a front view thereof;  
FIG. 2 is left side view which is a mirror image of the right side view;  
FIG. 3 is a rear view thereof;  
FIG. 4 is a top view thereof;  
FIG. 5 is a bottom view thereof;  
FIG. 6 is a perspective view thereof; and,  
FIG. 7 is a perspective view thereof with objects and structures drawn in dashed lines and shown to provide proper context to the invention and are not part of the invention.

**1 Claim, 3 Drawing Sheets**



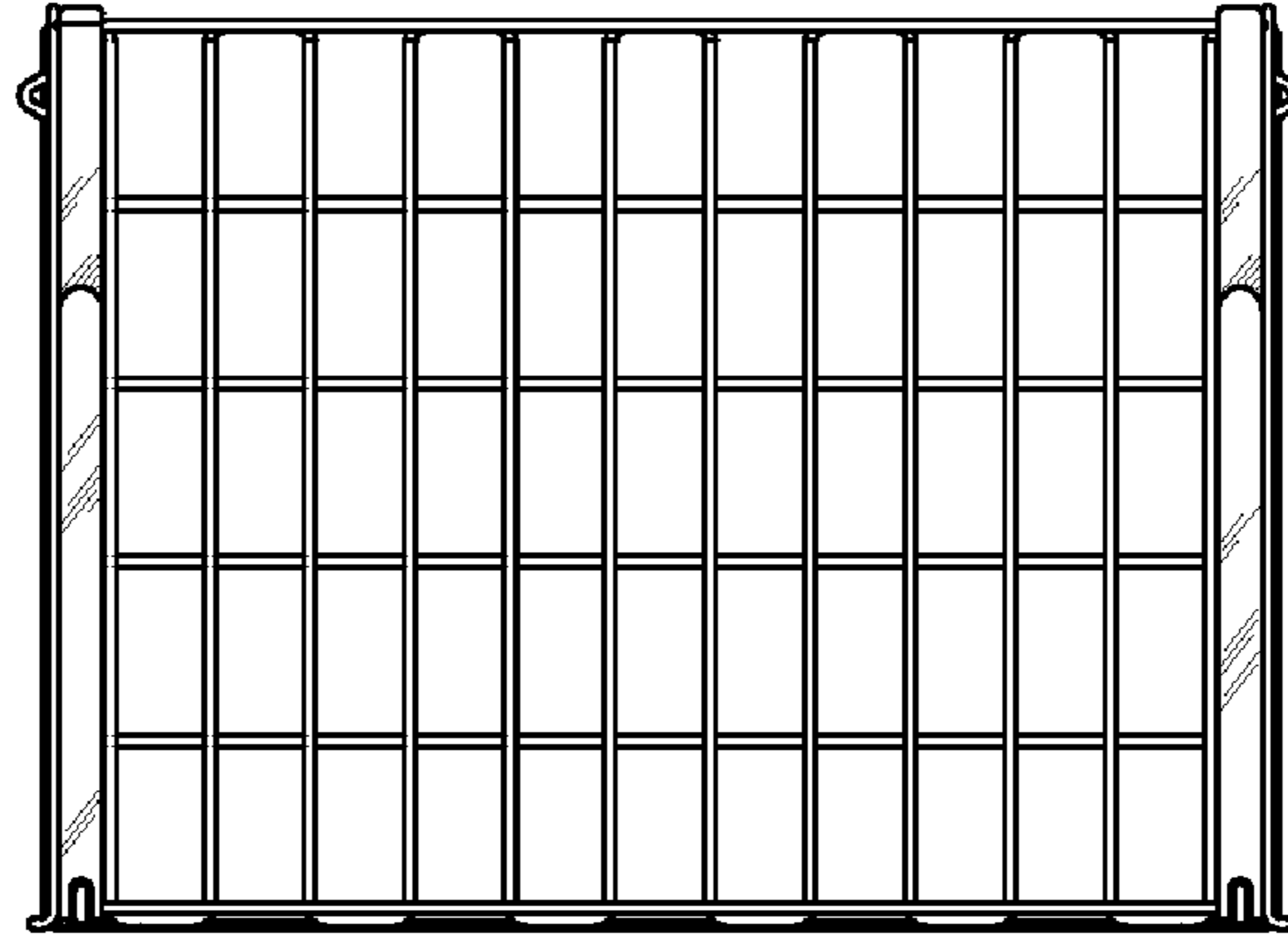


Fig. 4

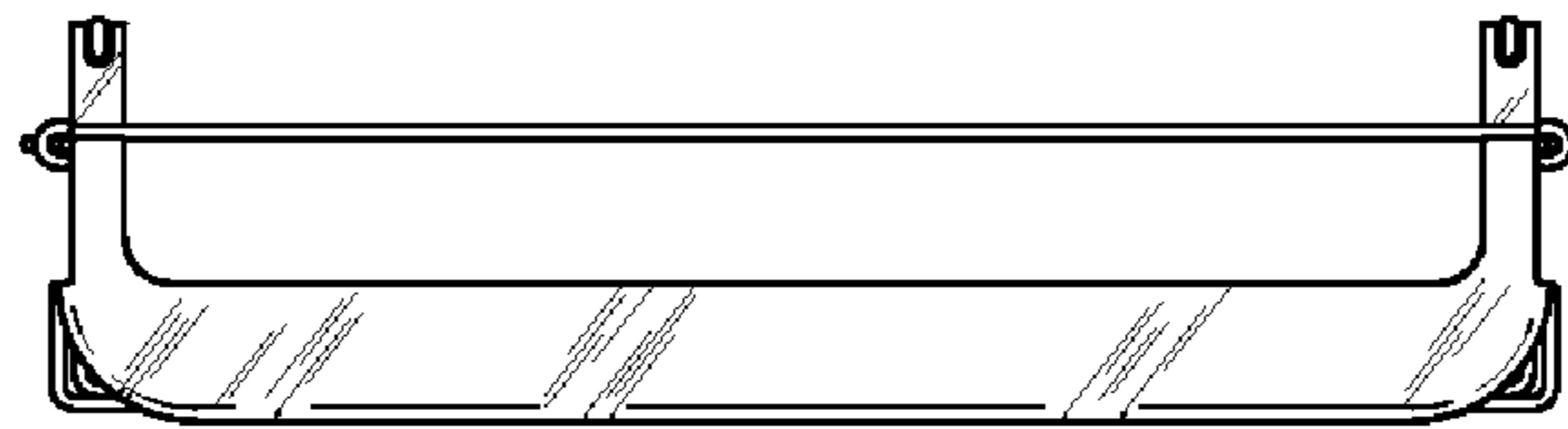


Fig. 1

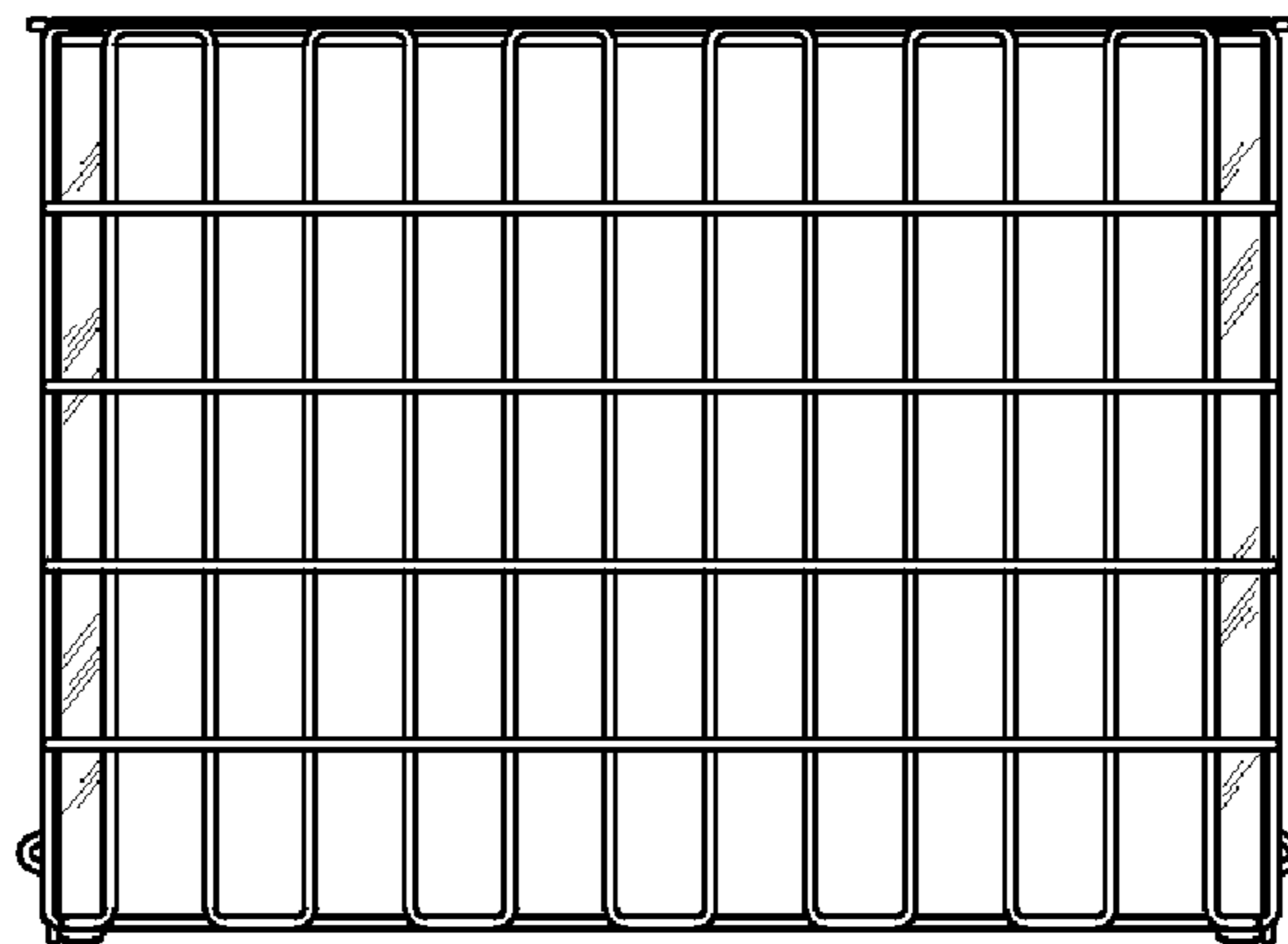


Fig. 5

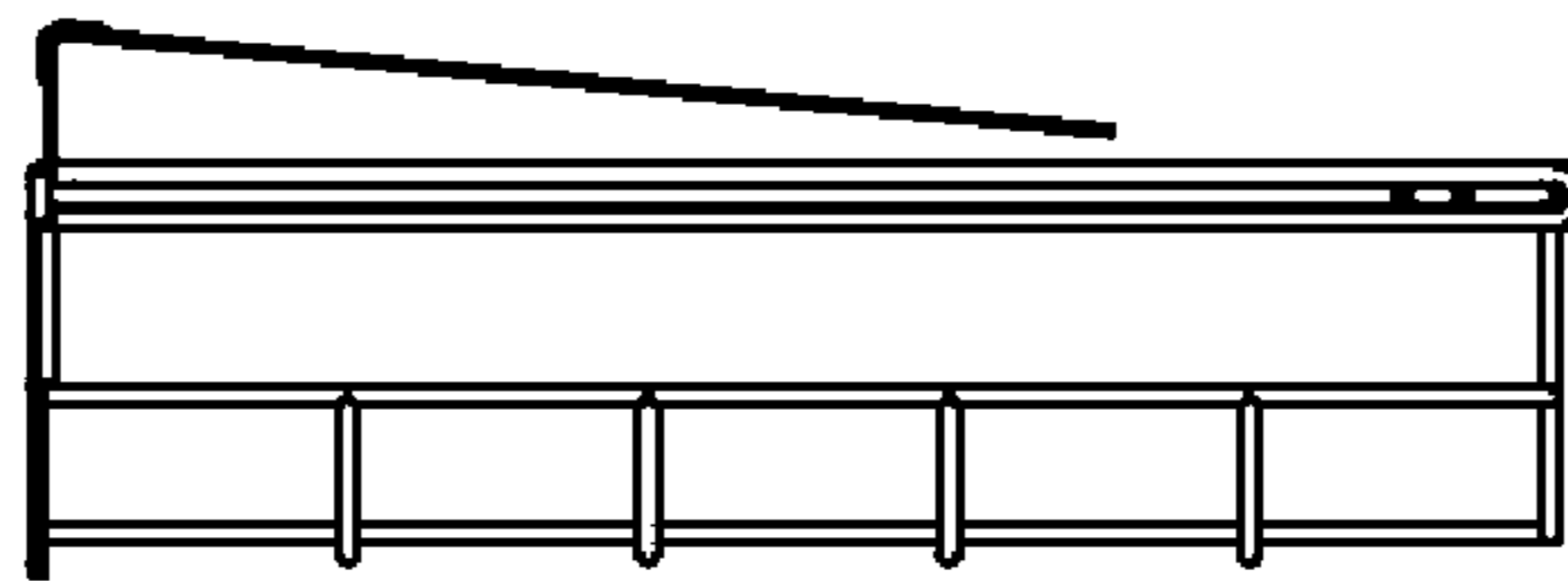


Fig. 2

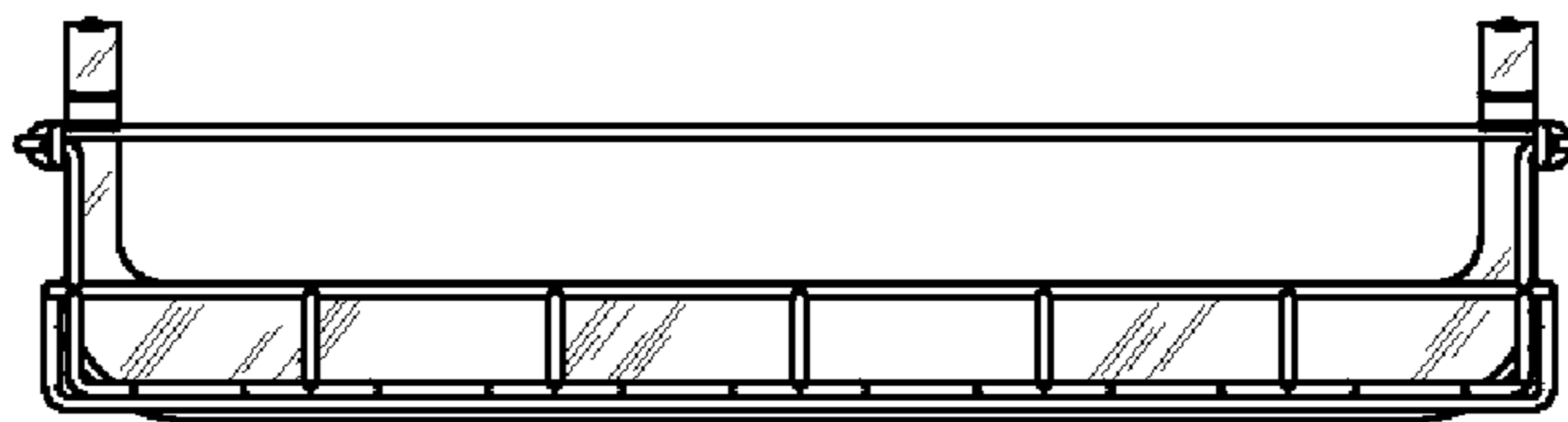


Fig. 3

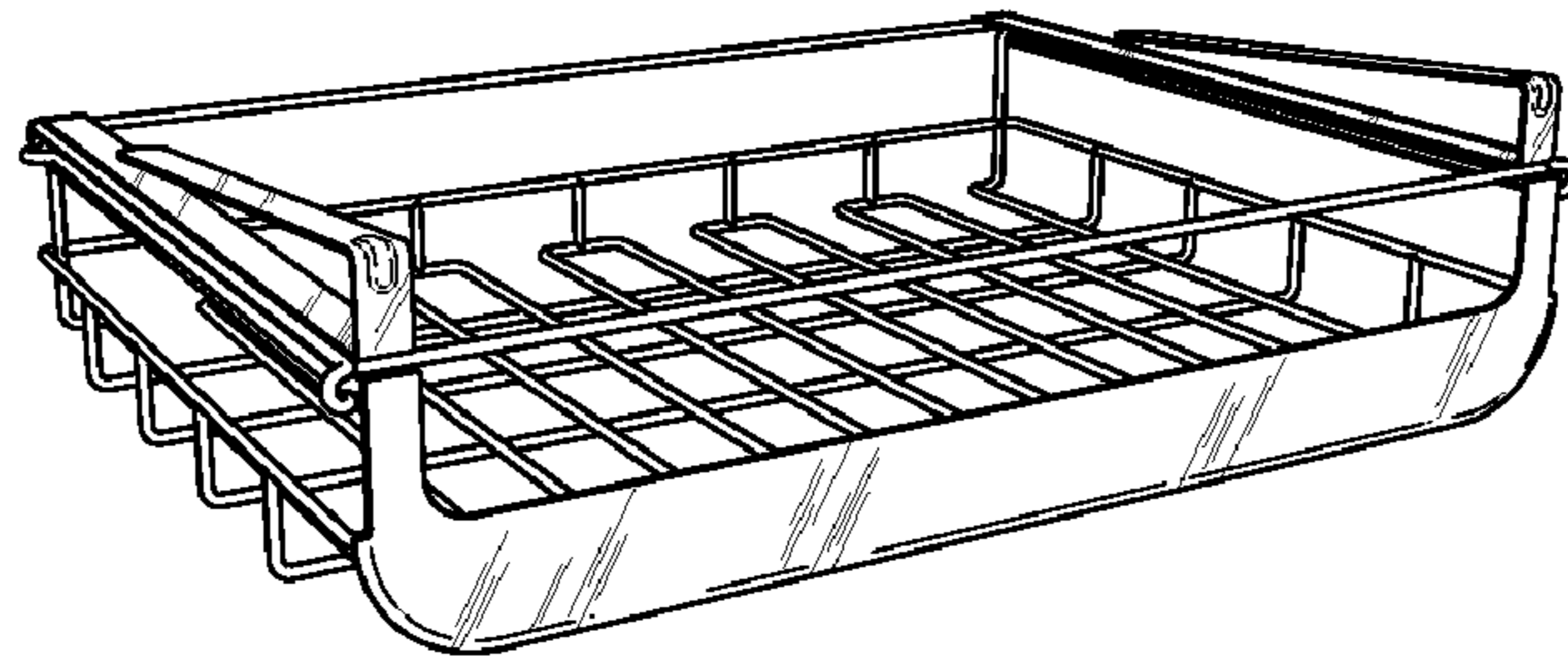


Fig. 6

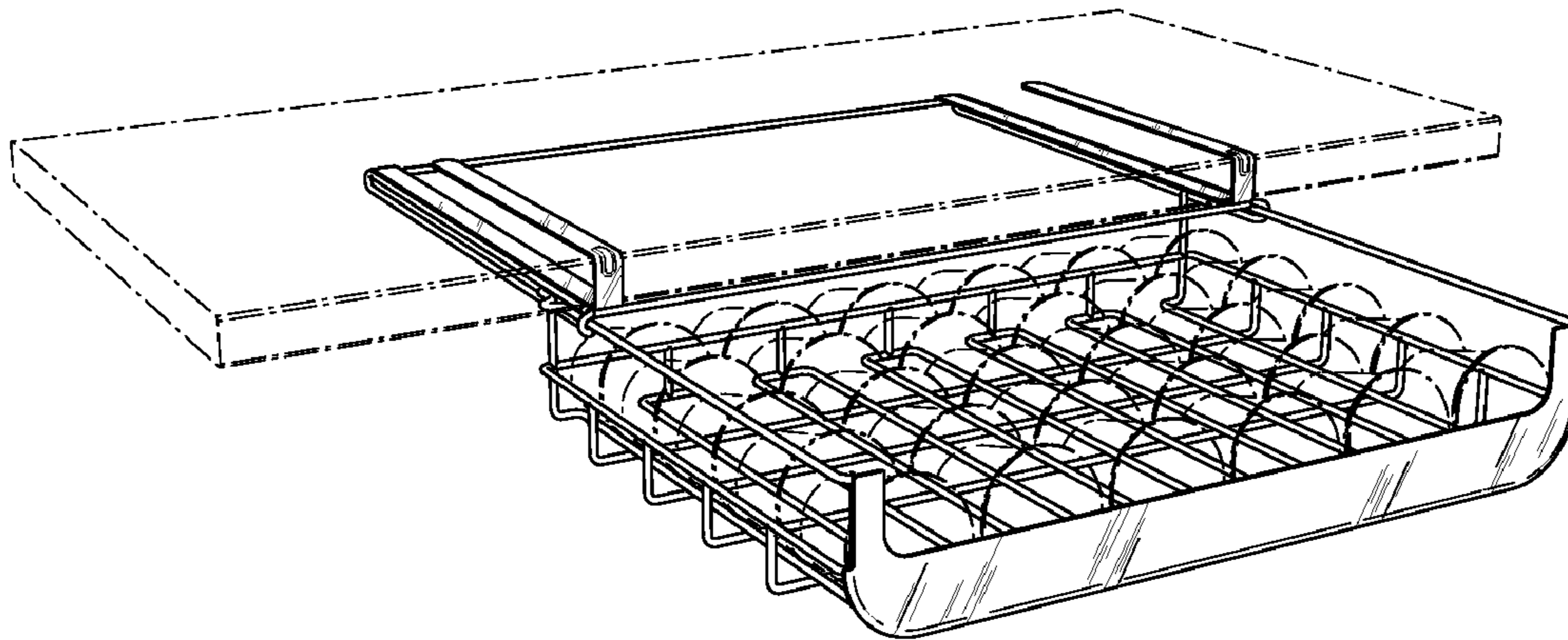


Fig. 7