

US00D657170S

(12) **United States Design Patent**  
**Spoelhof et al.**

(10) **Patent No.:** **US D657,170 S**  
(45) **Date of Patent:** **\*\* Apr. 10, 2012**

- (54) **ARMREST**
- (75) Inventors: **Mark William Spoelhof**, Grand Rapids, MI (US); **Alan Ernest Rheault**, Grand Rapids, MI (US)
- (73) Assignee: **Steelcase Inc.**, Grand Rapids, MI (US)
- (\*\*) Term: **14 Years**
- (21) Appl. No.: **29/398,836**
- (22) Filed: **Aug. 5, 2011**
- (51) **LOC (9) Cl.** ..... **06-01**
- (52) **U.S. Cl.** ..... **D6/501**
- (58) **Field of Classification Search** ..... D6/334,  
D6/335, 337, 374, 379, 380, 381, 491, 492,  
D6/495, 500-502; 297/118, 300.1, 302.1,  
297/311, 313, 353, 354.1, 445.1, 446.1, 446.2,  
297/447.4, 464, 465, DIG. 2, DIG. 7; 5/12.1,  
5/12.2  
See application file for complete search history.

- D261,702 S 11/1981 Whalen
- D276,670 S 12/1984 Torno
- D277,346 S \* 1/1985 Steinberger ..... D6/374
- D278,581 S \* 4/1985 Melchior ..... D6/373
- D288,505 S 3/1987 Yamasaki
- D302,079 S \* 7/1989 Goldman ..... D6/361
- D303,326 S \* 9/1989 Heimberger ..... D6/334
- D318,183 S \* 7/1991 Fister, Jr. .... D6/334
- D318,576 S \* 7/1991 Fister, Jr. .... D6/334
- D336,376 S 6/1993 Hollington
- D338,113 S 8/1993 Laird
- D340,142 S 10/1993 Totoro
- D341,728 S 11/1993 Grosfillex
- D358,493 S \* 5/1995 Ginat ..... D6/334
- D364,971 S 12/1995 Sterlacci
- D372,800 S 8/1996 Yamasaki
- D376,483 S 12/1996 Yamasaki
- D392,469 S \* 3/1998 De Blaay ..... D6/334

(Continued)

Primary Examiner — Sandra Snapp

(57) **CLAIM**  
We claim the ornamental design for an armrest, as shown and described.

(56) **References Cited**

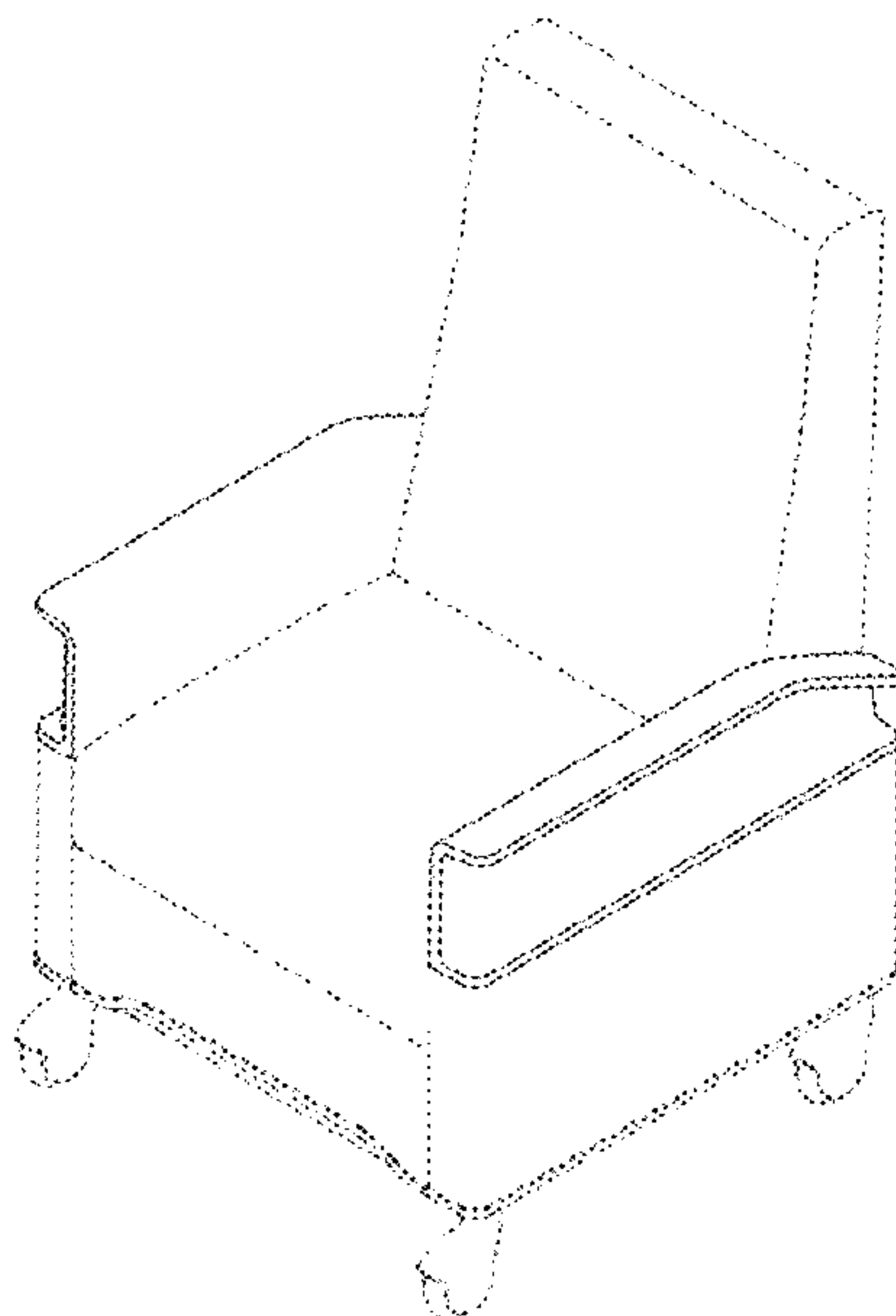
**DESCRIPTION**

U.S. PATENT DOCUMENTS

- 951,211 A 3/1910 Csiky
- D122,344 S 9/1940 Smith
- 2,466,204 A 4/1949 Brown
- D173,625 S 12/1954 Maurer
- D177,366 S \* 4/1956 Cutrow ..... D6/375
- 2,781,823 A 2/1957 Knabusch
- 2,892,484 A 6/1959 Barabas
- D187,917 S \* 5/1960 Spound ..... D6/334
- 3,179,466 A 4/1965 Garrett
- D222,451 S 10/1971 Lamb
- 3,652,125 A 3/1972 Rogers, Jr.
- D231,878 S 6/1974 Kellum
- D251,761 S 5/1979 Long
- D260,826 S \* 9/1981 Steinberger ..... D6/374

FIG. 1 is a front perspective view of an armrest according to one embodiment;  
FIG. 2 is a rear perspective view of the armrest of FIG. 1;  
FIG. 3 is a front view of the armrest of FIG. 1;  
FIG. 4 is a rear view of the armrest of FIG. 1;  
FIG. 5 is a side view of the armrest of FIG. 1;  
FIG. 6 is a top view of the armrest of FIG. 1; and,  
FIG. 7 is a bottom view of the armrest of FIG. 1.  
The dashed lines and broken lines are for purposes of illustrating environmental structure and form no part of the claimed design.

**1 Claim, 7 Drawing Sheets**



# US D657,170 S

Page 2

## U.S. PATENT DOCUMENTS

D416,395 S	11/1999	George	
D417,558 S	12/1999	Staubach	
D429,900 S *	8/2000	Minami .....	D6/334
D430,740 S	9/2000	Chun	
D433,243 S	11/2000	Garcia	
D442,375 S	5/2001	Stammberger	
D443,991 S	6/2001	Picotti	
D451,688 S *	12/2001	Cramer .....	D6/334
D458,466 S	6/2002	McCairley	
D462,845 S	9/2002	Canto Garcia	
D468,543 S *	1/2003	O'Hare et al. ....	D6/334
D475,539 S *	6/2003	Savini .....	D6/334
D488,933 S *	4/2004	Neggens .....	D6/334
6,739,651 B1	5/2004	Barefoot	
D498,070 S *	11/2004	Sauer .....	D6/373
D504,782 S *	5/2005	Moser .....	D6/334
D506,092 S *	6/2005	Moser .....	D6/492
6,948,777 B2	9/2005	Marshall	
D510,666 S	10/2005	Pimental	
D531,424 S	11/2006	Kusachi	
D532,984 S	12/2006	Bernett	
D535,124 S	1/2007	Garcia	
D541,064 S	4/2007	Miller	
D543,716 S	6/2007	Votteler	
D551,869 S	10/2007	Zambelli	
D558,468 S *	1/2008	Lade .....	D6/334
D558,469 S *	1/2008	Lade .....	D6/334
D586,138 S	2/2009	Potter	
7,510,243 B1	3/2009	Hung	
D602,704 S	10/2009	Tierney	
D606,325 S	12/2009	Gharabegian	
D616,215 S	5/2010	Andersen	
D622,516 S	8/2010	Delmestri	
D626,756 S	11/2010	Flender	
D633,725 S *	3/2011	Massaud .....	D6/334

\* cited by examiner

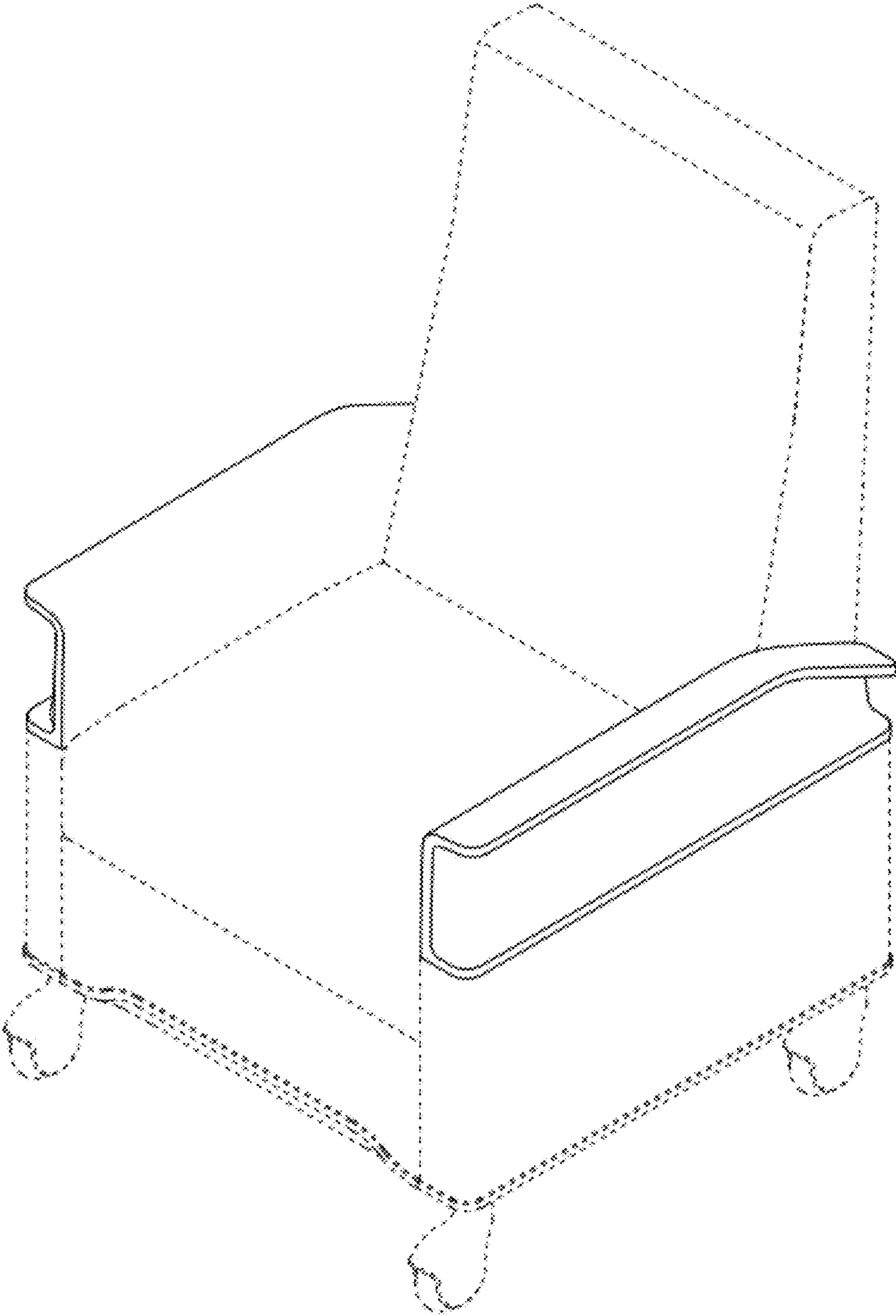


FIG. 1

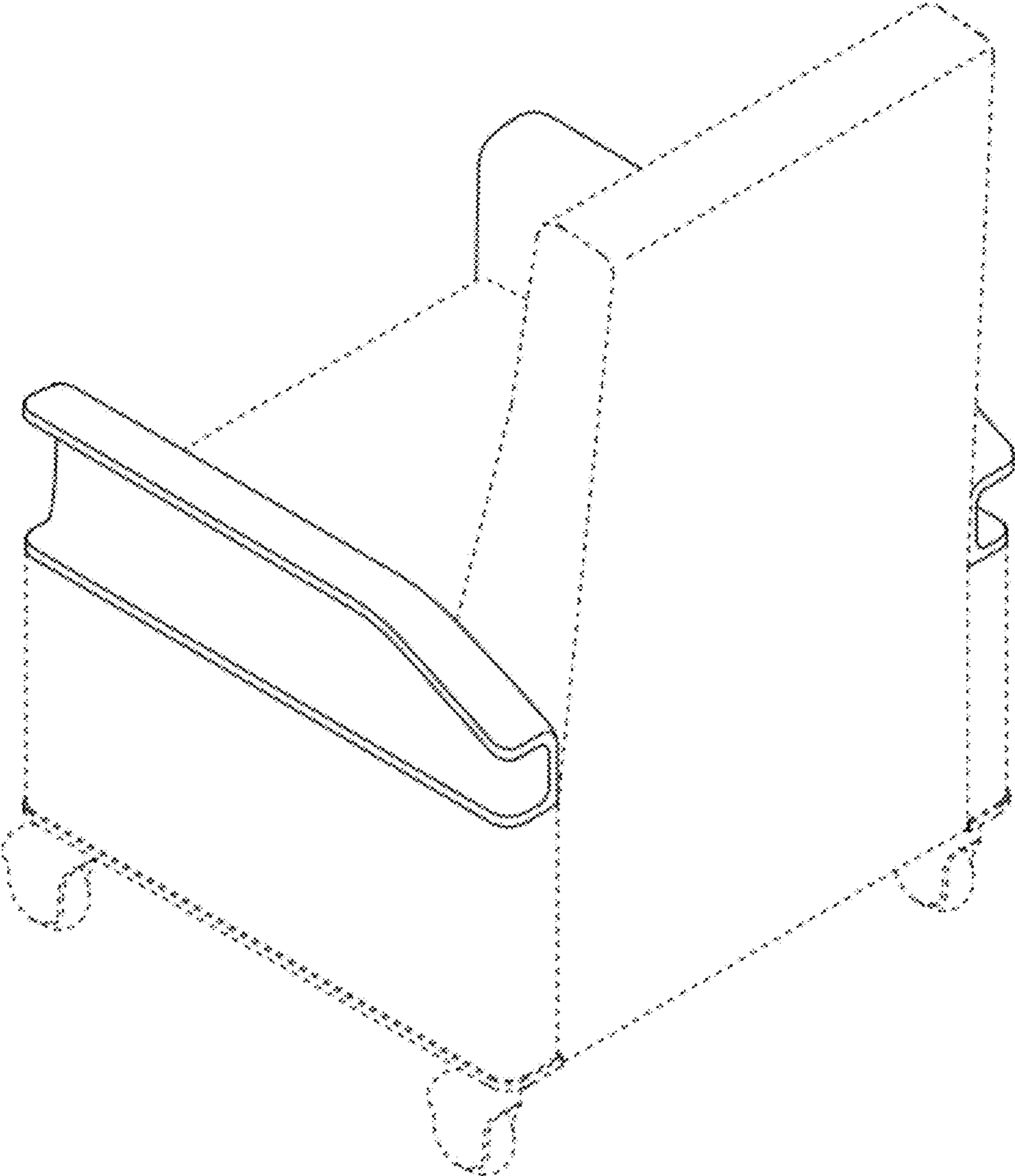


FIG. 2

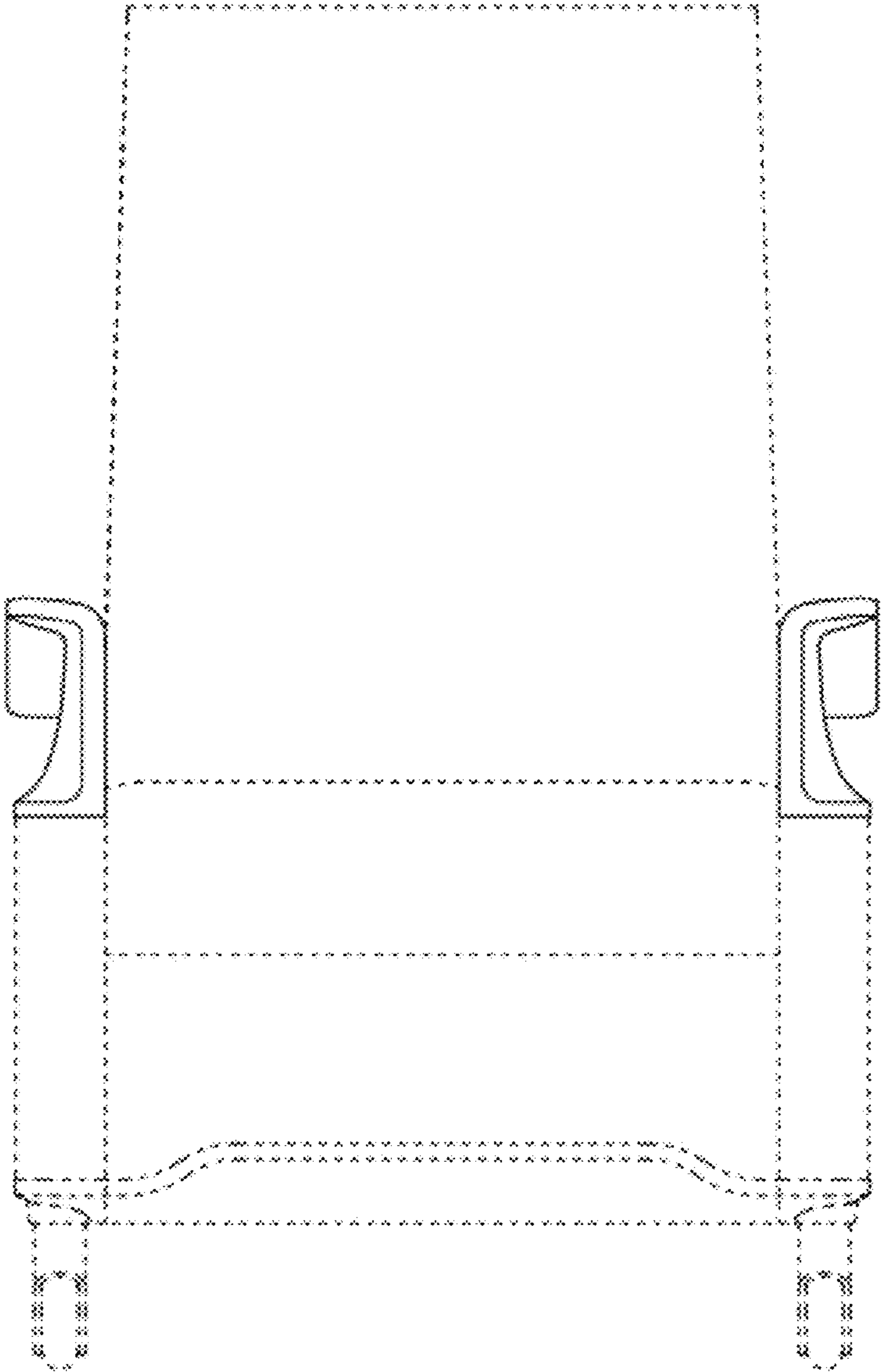


FIG. 3

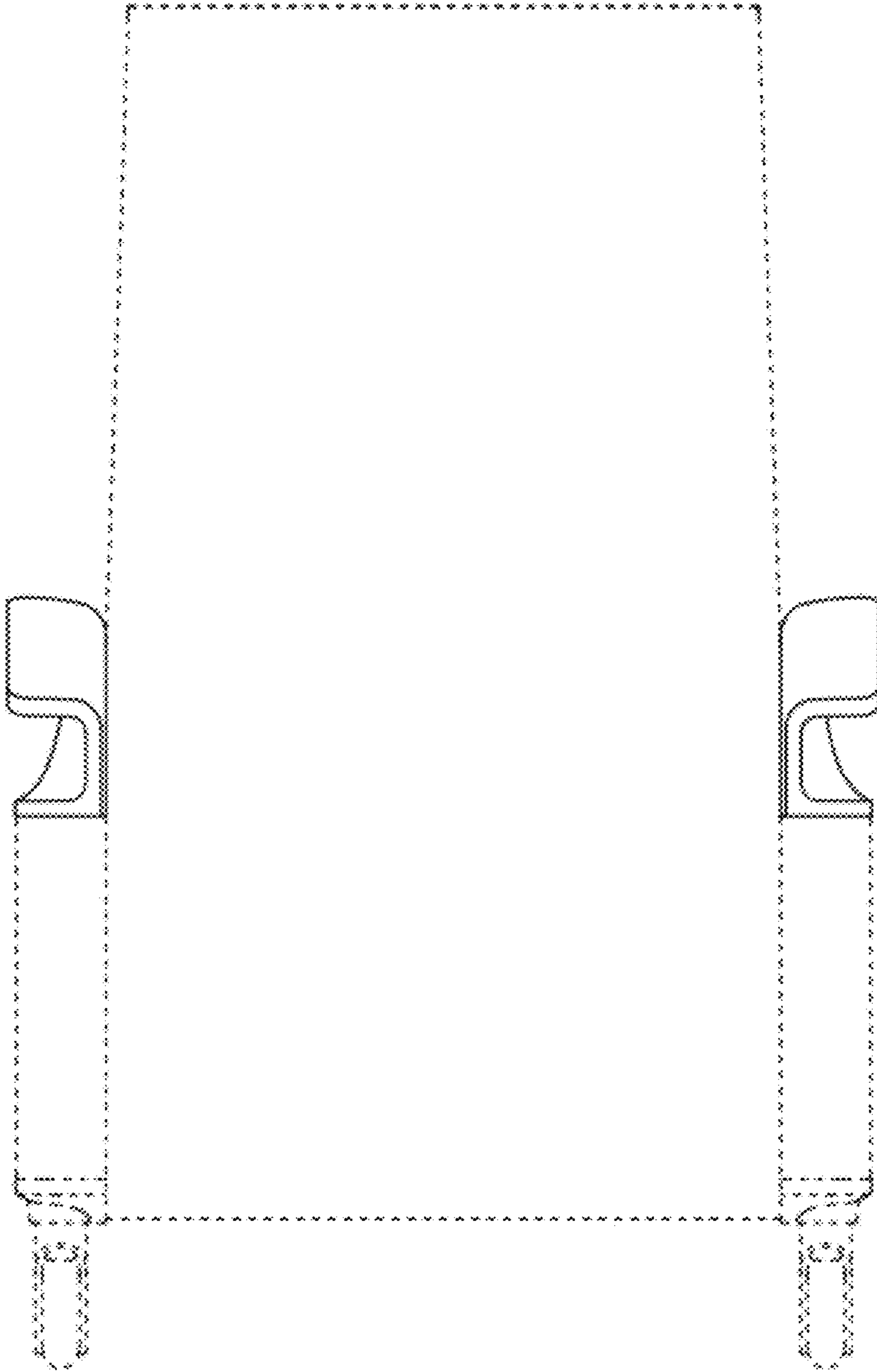


FIG. 4



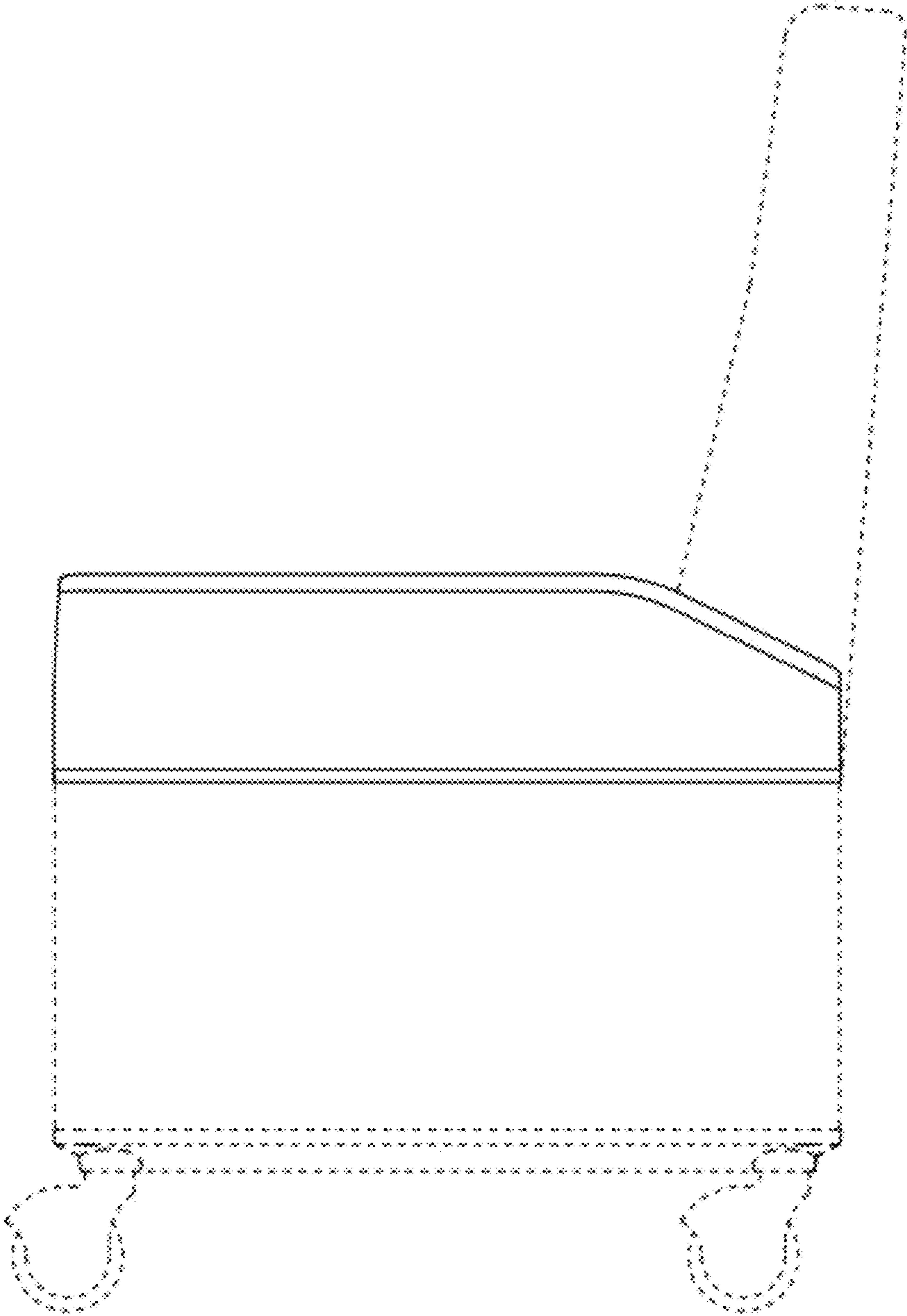


FIG. 5

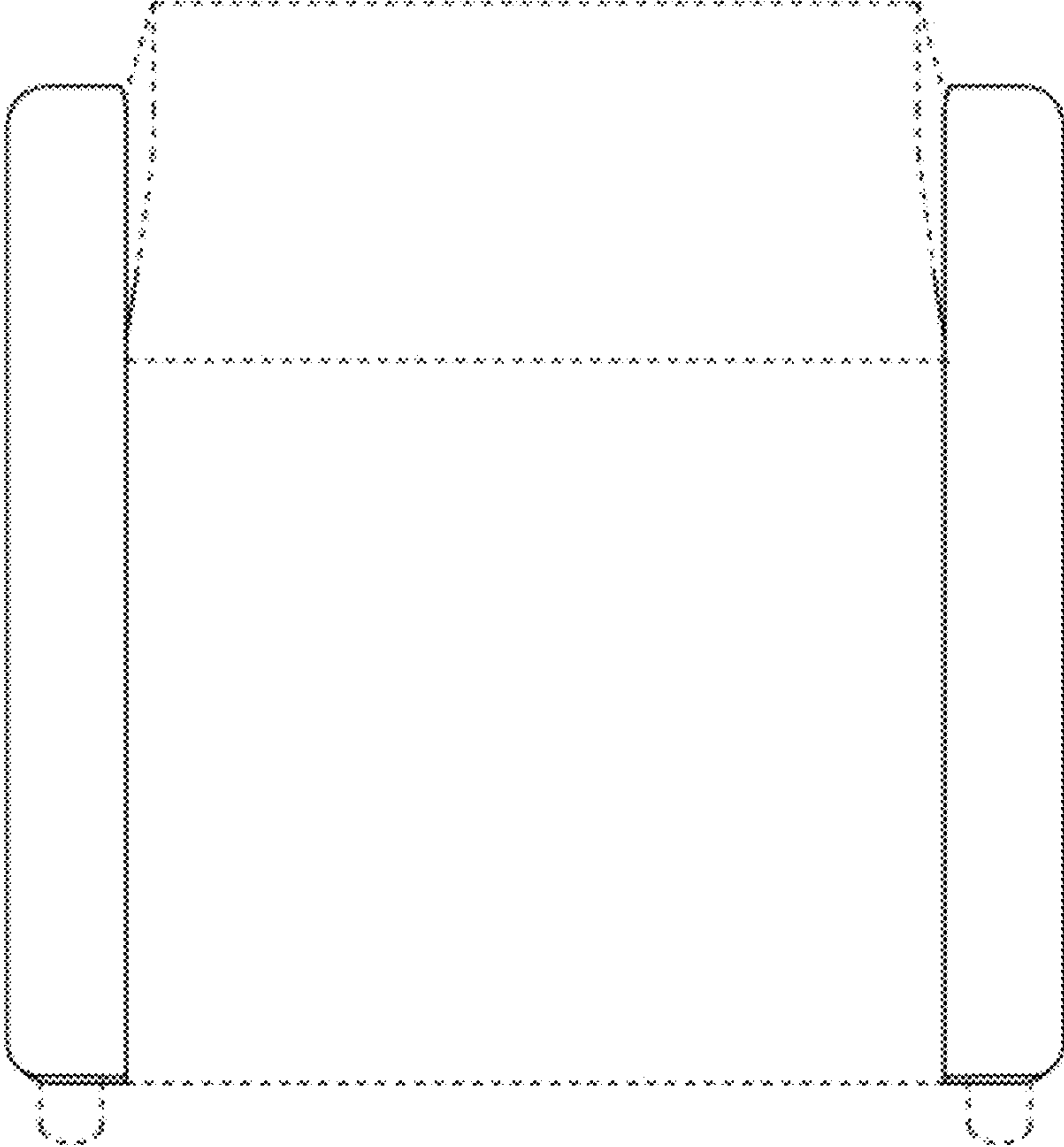


FIG. 6



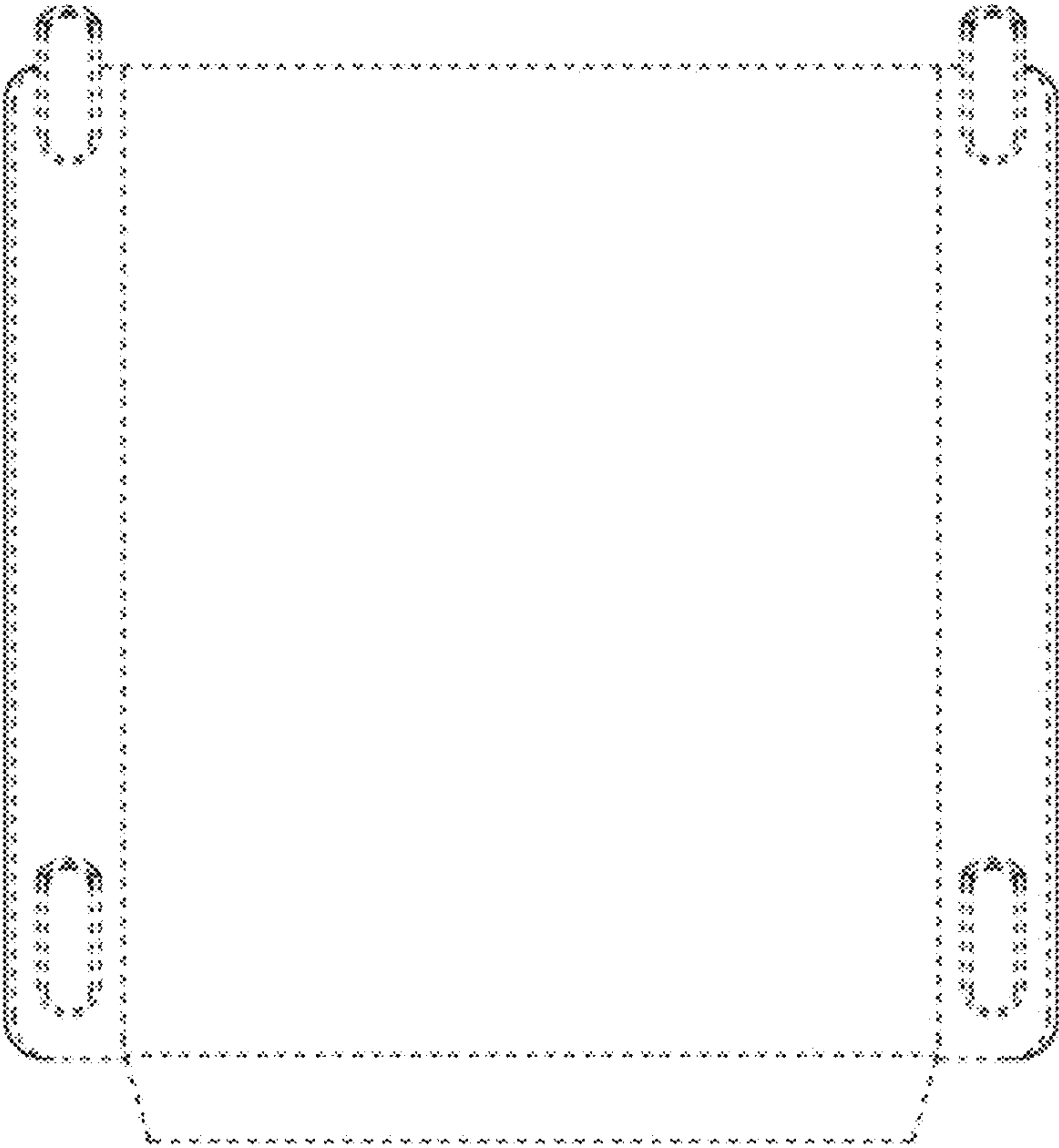


FIG. 7