



US00D657169S

(12) **United States Design Patent**  
**Pratt**

(10) **Patent No.:** **US D657,169 S**

(45) **Date of Patent:** **\*\* Apr. 10, 2012**

(54) **FACE REST**

(76) **Inventor:** **Aaron T. Pratt**, San Marcos, TX (US)

(\*\*) **Term:** **14 Years**

(21) **Appl. No.:** **29/370,352**

(22) **Filed:** **Jul. 6, 2010**

(51) **LOC (9) Cl.** ..... **06-01**

(52) **U.S. Cl.** ..... **D6/501**

(58) **Field of Classification Search** ..... D6/334–336,  
D6/360, 361, 367, 370, 371–373, 374, 375,  
D6/500, 501, 502; 5/111, 622, 632, 638,  
5/640; 297/31, 219.1, 354.13, 452.12, 452.63,  
297/900

See application file for complete search history.

(56) **References Cited**

U.S. PATENT DOCUMENTS

2,551,727	A *	5/1951	Costello	5/638
4,606,086	A *	8/1986	Rowland	5/111
4,891,854	A *	1/1990	Finkelstein	5/638
D352,635	S *	11/1994	Yoder	D6/611
5,624,157	A *	4/1997	Kostuk	297/219.1
D381,524	S	7/1997	Gabriel	
D381,824	S	8/1997	Day et al.	
D400,722	S *	11/1998	Luther	D6/361
5,829,080	A *	11/1998	Robillard et al.	5/638
5,946,749	A *	9/1999	Sewell	5/110
5,950,259	A *	9/1999	Boggs	5/111
6,042,184	A *	3/2000	Kofoed	297/900
6,068,342	A *	5/2000	Mariani et al.	297/219.1
6,081,947	A *	7/2000	Disher	5/632

6,718,581	B2 *	4/2004	Riach	5/632
D497,430	S *	10/2004	Tinsley	D24/184
6,860,567	B1 *	3/2005	Bauer	297/900
6,922,860	B2 *	8/2005	Cuddy	5/632
6,935,694	B2 *	8/2005	Turner	297/354.13
D517,334	S	3/2006	Jones	
D606,328	S *	12/2009	Clayton	D6/361
7,963,592	B1 *	6/2011	Stanley	297/31

\* cited by examiner

*Primary Examiner* — Mimosa De

(74) *Attorney, Agent, or Firm* — Paul R. Martin

(57) **CLAIM**

The ornamental design for a face rest, as shown and described.

**DESCRIPTION**

FIG. 1 is a perspective view of the face rest of my new design. FIG. 2 is another perspective view of the face rest of my new design showing it being attached to a beach type lounge chair. FIG. 3 is top plan view of the face rest shown in FIG. 1.

The view from the bottom would be identical thereto.

FIG. 4 is an elevational view from the top edge of the face rest shown in FIG. 3; and,

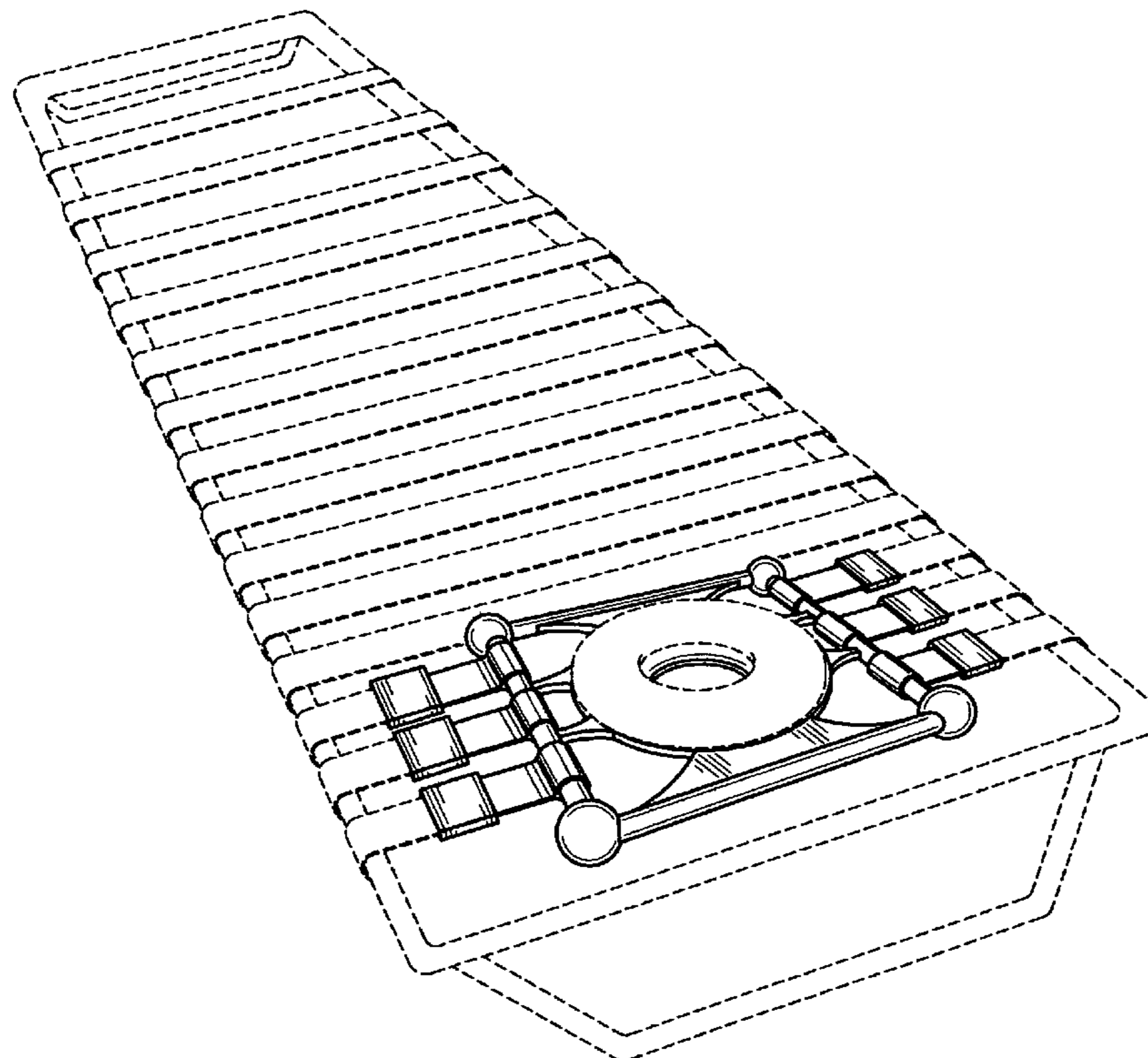
An elevational view from the bottom edge would be identical to FIG. 4.

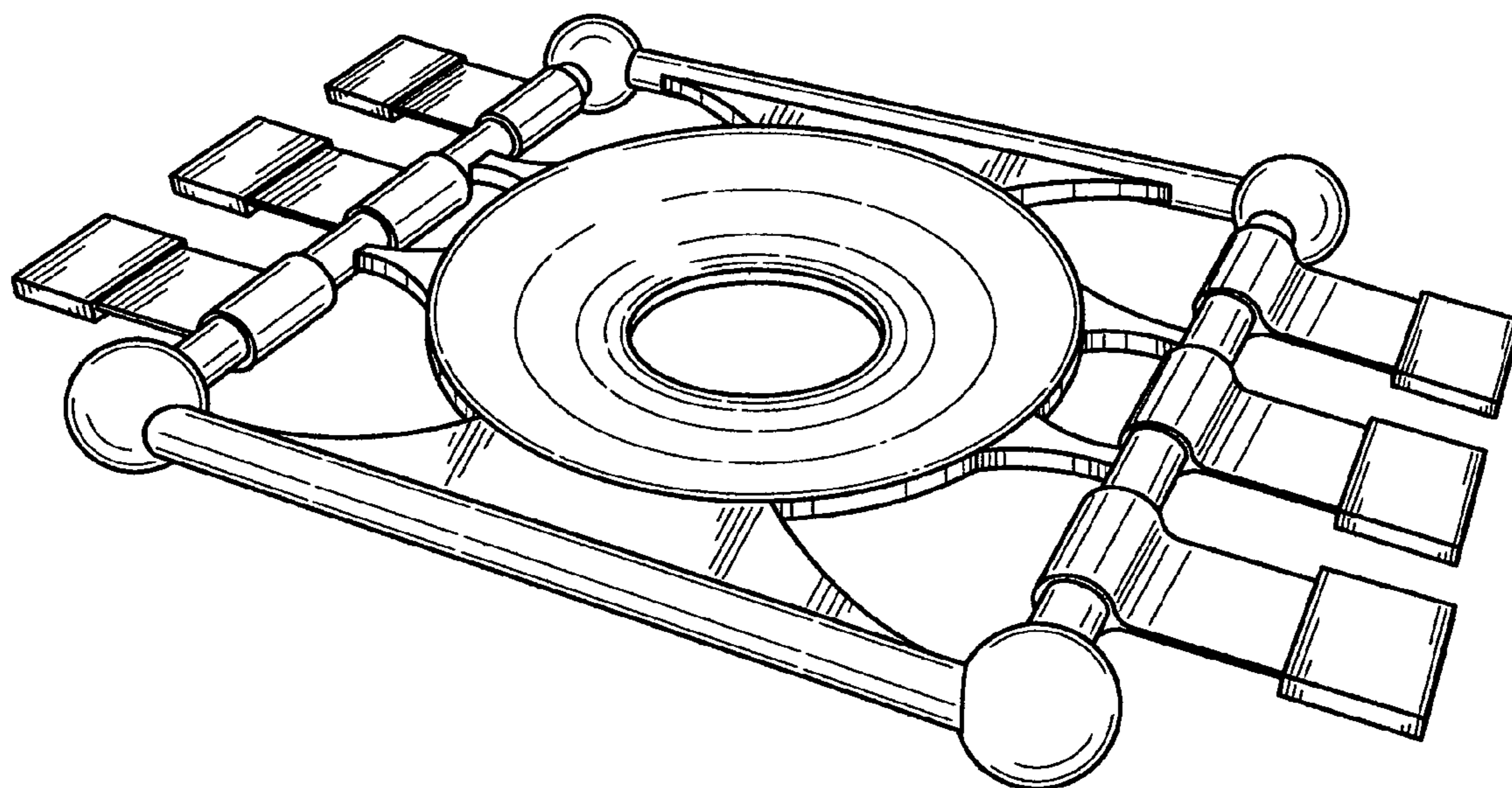
FIG. 5 is an elevational view from the left side of the face rest shown in FIG. 3.

An elevational view from the right side would be identical to that shown in FIG. 5.

The broken line chair shown in FIG. 2, is an environmental background element and forms no part of the invention.

**1 Claim, 3 Drawing Sheets**





*FIG. 1*

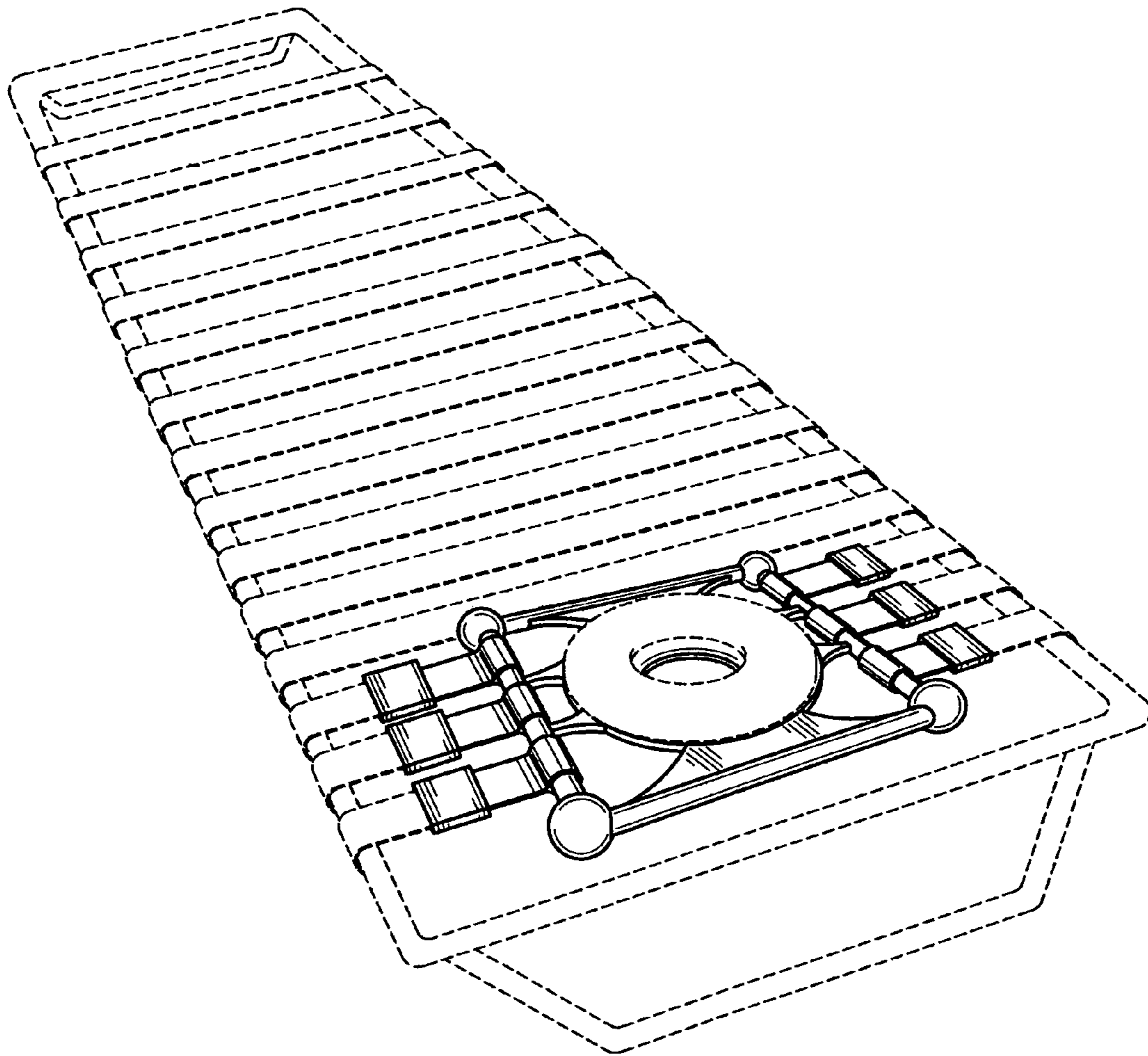


FIG. 2

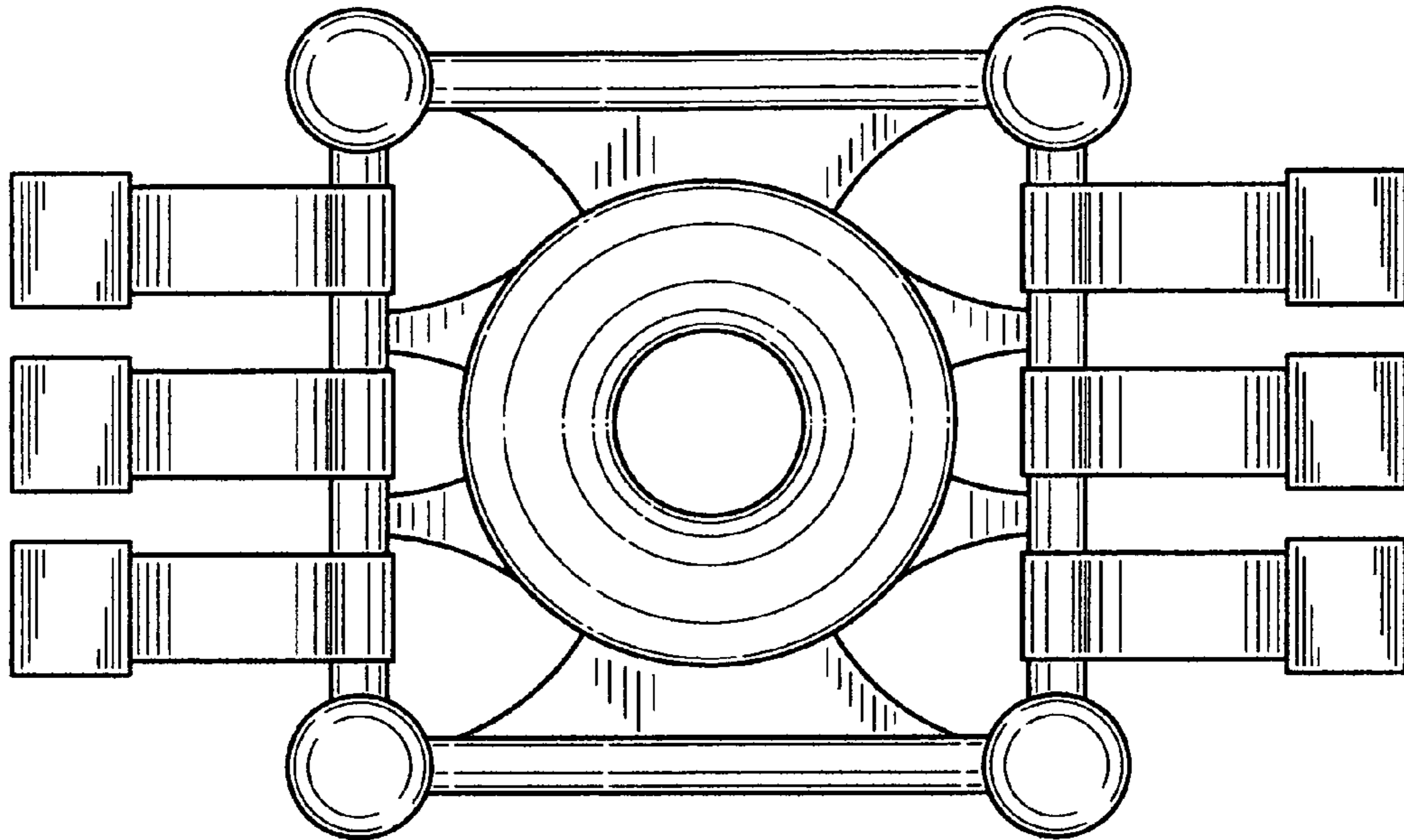


FIG. 3

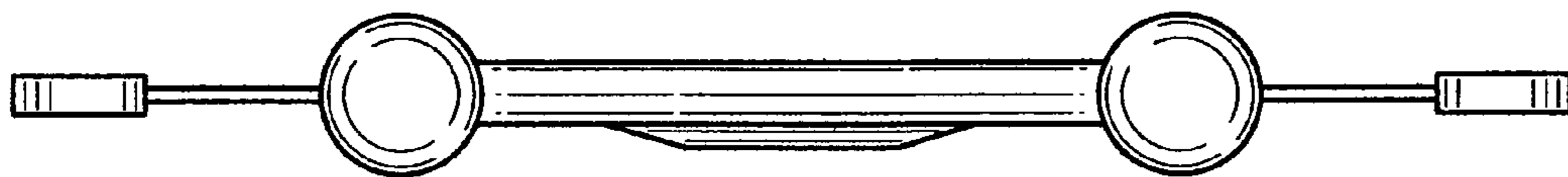


FIG. 4



FIG. 5