



US00D657167S

(12) **United States Design Patent**
Costaglia

(10) **Patent No.:** **US D657,167 S**
(45) **Date of Patent:** **** Apr. 10, 2012**

(54) **CHAIR-ADJUSTMENT DEVICE**
(75) Inventor: **Massimo Costaglia**, Santa Giustina in Colle (IT)
(73) Assignee: **L & P Property Management Company**, South Gate, CA (US)
(**) Term: **14 Years**
(21) Appl. No.: **29/376,802**
(22) Filed: **Oct. 12, 2010**

D549,016	S	*	8/2007	Donati	D6/500
D550,989	S	*	9/2007	Donati	D6/500
D550,990	S	*	9/2007	Donati	D6/500
D550,991	S	*	9/2007	Donati	D6/500
D553,885	S	*	10/2007	Matern	D6/500
D557,946	S	*	12/2007	Matern et al.	D6/500
D573,815	S	*	7/2008	Matern	D6/500
D578,326	S	*	10/2008	Donati	D6/500
D579,241	S	*	10/2008	Breen	D6/500
D582,704	S	*	12/2008	Donati	D6/500
D582,705	S	*	12/2008	Donati	D6/500
D599,586	S	*	9/2009	Moreschi	D6/500
2002/0163242	A1	*	11/2002	Beggs	297/463.1
2004/0227387	A1	*	11/2004	Matern et al.	297/344.19

* cited by examiner

(30) **Foreign Application Priority Data**
Apr. 13, 2010 (EM) 001208342
(51) **LOC (9) Cl.** **06-01**
(52) **U.S. Cl.** **D6/500**
(58) **Field of Classification Search** D6/310,
D6/334-336, 348, 358-381, 500-502; 297/31,
297/239, 271.6, 11.2, 300.1-300.8, 301.2-301.7,
297/303.3-303.5, 344.19, 411.27, 411.28,
297/440.13, 440.15, 445.1, 446.1, 446.2,
297/452.13, 452.18, 463.1
See application file for complete search history.

Primary Examiner — Ricky Pham
(74) *Attorney, Agent, or Firm* — Shook, Hardy & Bacon L.L.P.

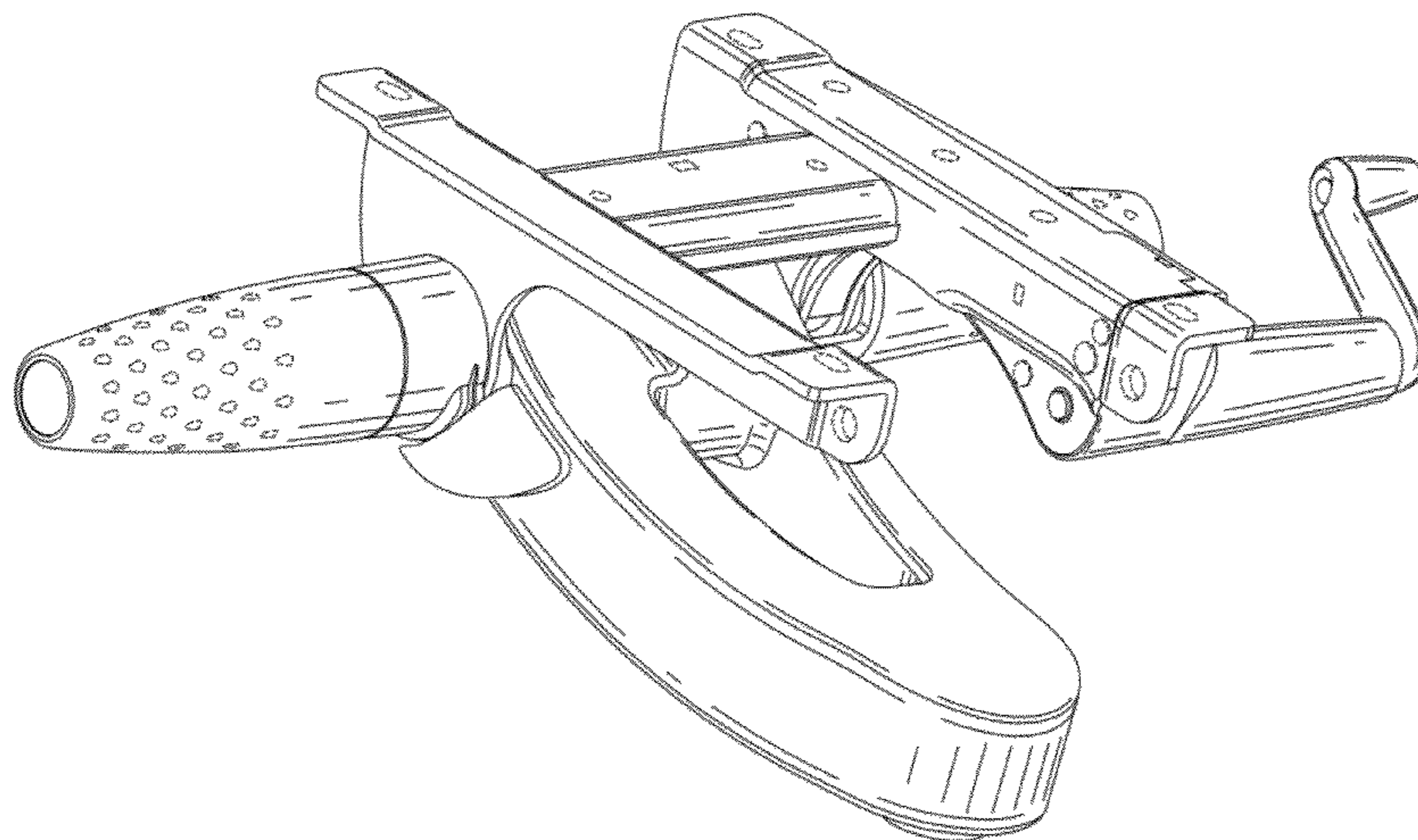
(57) **CLAIM**
The ornamental design for a chair-adjustment device, as shown and described.

DESCRIPTION

FIG. 1 is a first perspective view of a chair-adjustment device showing the new design;
FIG. 2 is a rear side elevational view thereof;
FIG. 3 is front side elevational view thereof;
FIG. 4 is left side elevational view thereof;
FIG. 5 is a right side elevational view thereof;
FIG. 6 is top plan view thereof;
FIG. 7 is bottom plan view thereof;
FIG. 8 is a second perspective view thereof;
FIG. 9 is a third perspective view thereof;
FIG. 10 is a fourth perspective view thereof; and,
FIG. 11 is a fifth perspective view thereof.
Broken lines are included for the purpose of illustrating portions of the chair-adjustment device and/or environmental structure that form no part of the claimed design.

(56) **References Cited**
U.S. PATENT DOCUMENTS
D285,633 S * 9/1986 Doerner D6/500
D290,073 S * 6/1987 Doerner D6/500
D292,459 S * 10/1987 Doerner D6/500
D433,852 S * 11/2000 Zhou D6/500
D447,652 S * 9/2001 Beggs D6/500
D450,957 S * 11/2001 Asbjørnsen D6/500
D464,831 S * 10/2002 Patton D6/500
D468,940 S * 1/2003 Chen D6/500
D473,737 S * 4/2003 Klaesener et al. D6/500
D479,066 S * 9/2003 Klaesener et al. D6/500
D479,927 S * 9/2003 Hobb D6/500
D479,928 S * 9/2003 Klaesener et al. D6/500

1 Claim, 11 Drawing Sheets



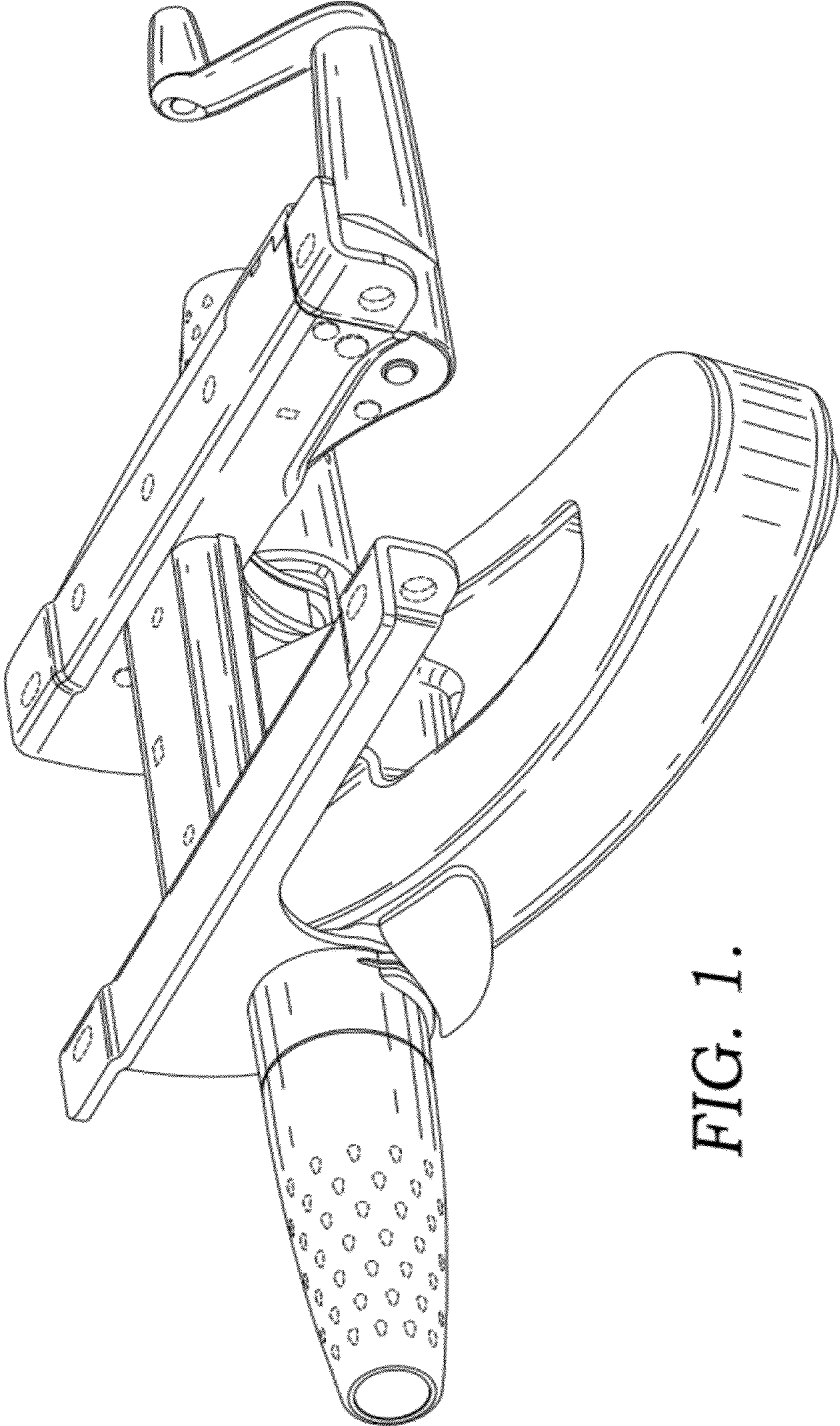


FIG. 1.

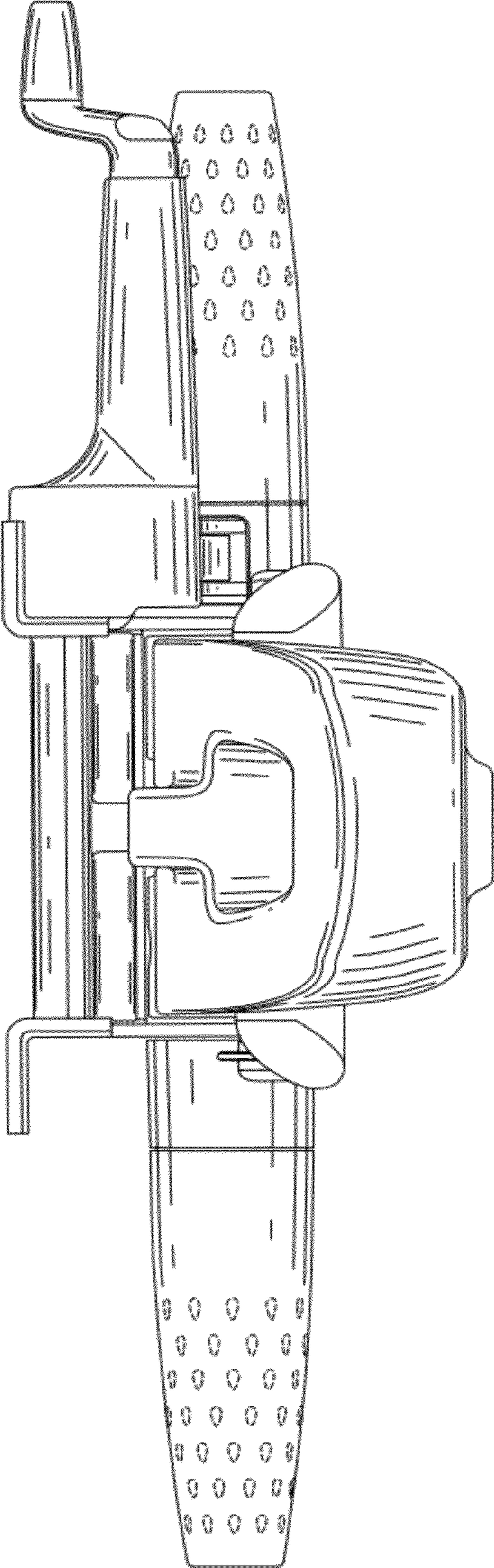


FIG. 2.

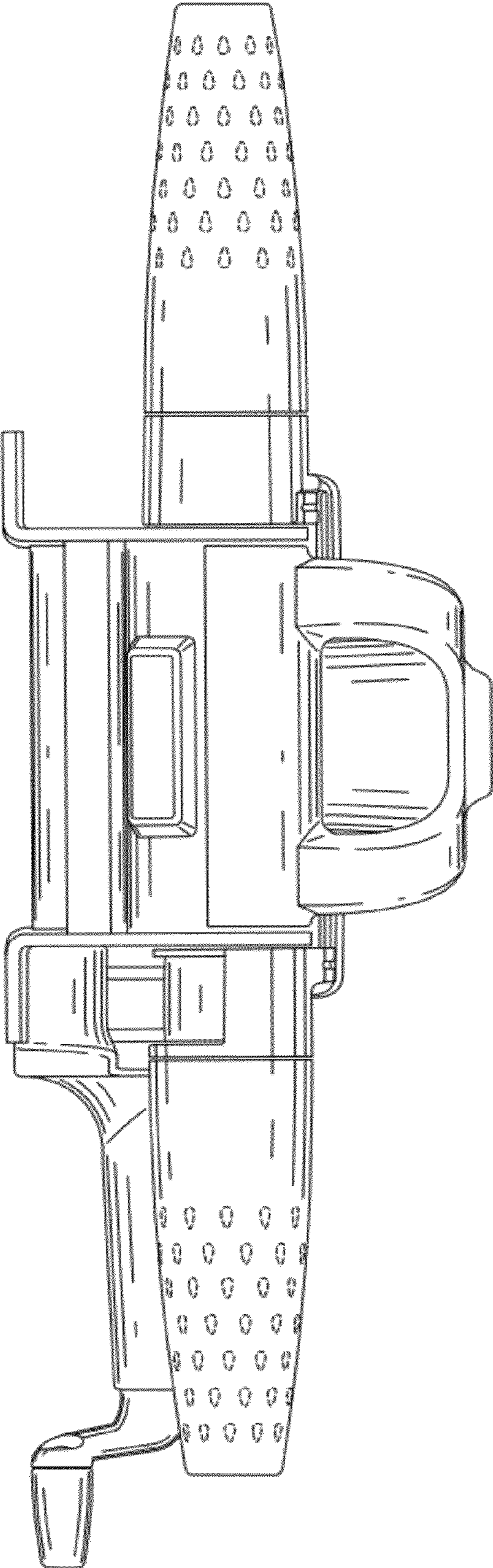


FIG. 3.

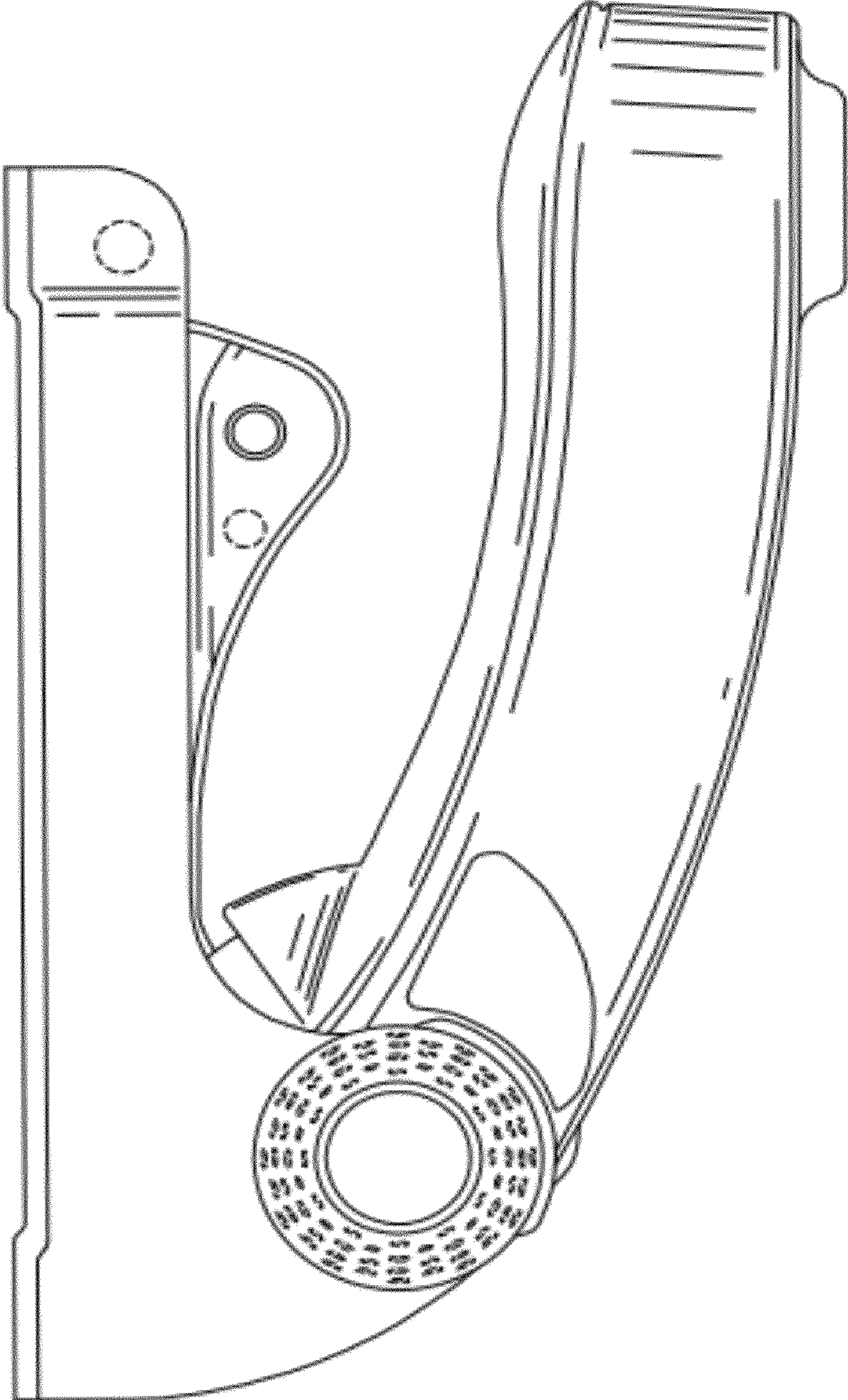


FIG. 4.

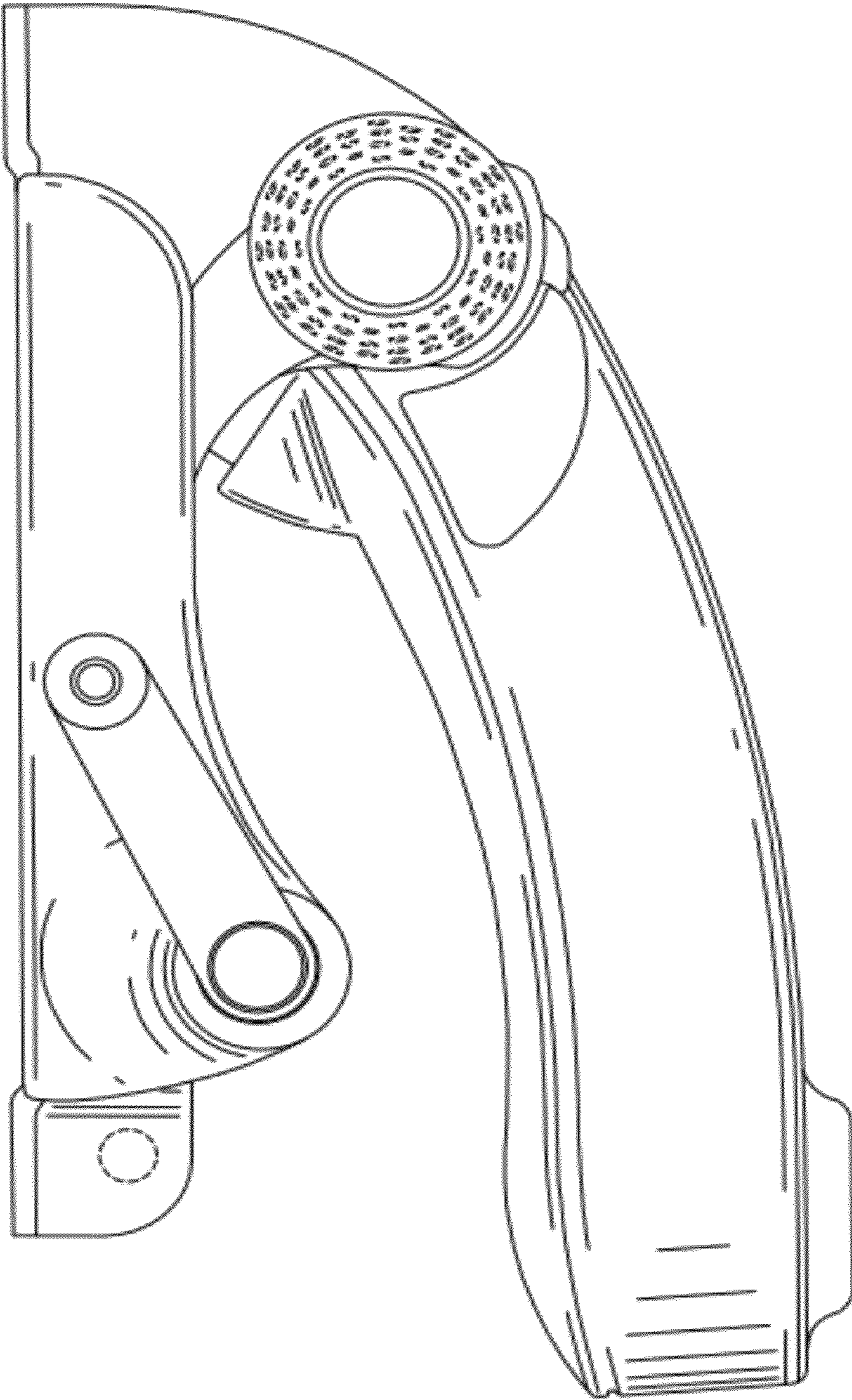


FIG. 5.

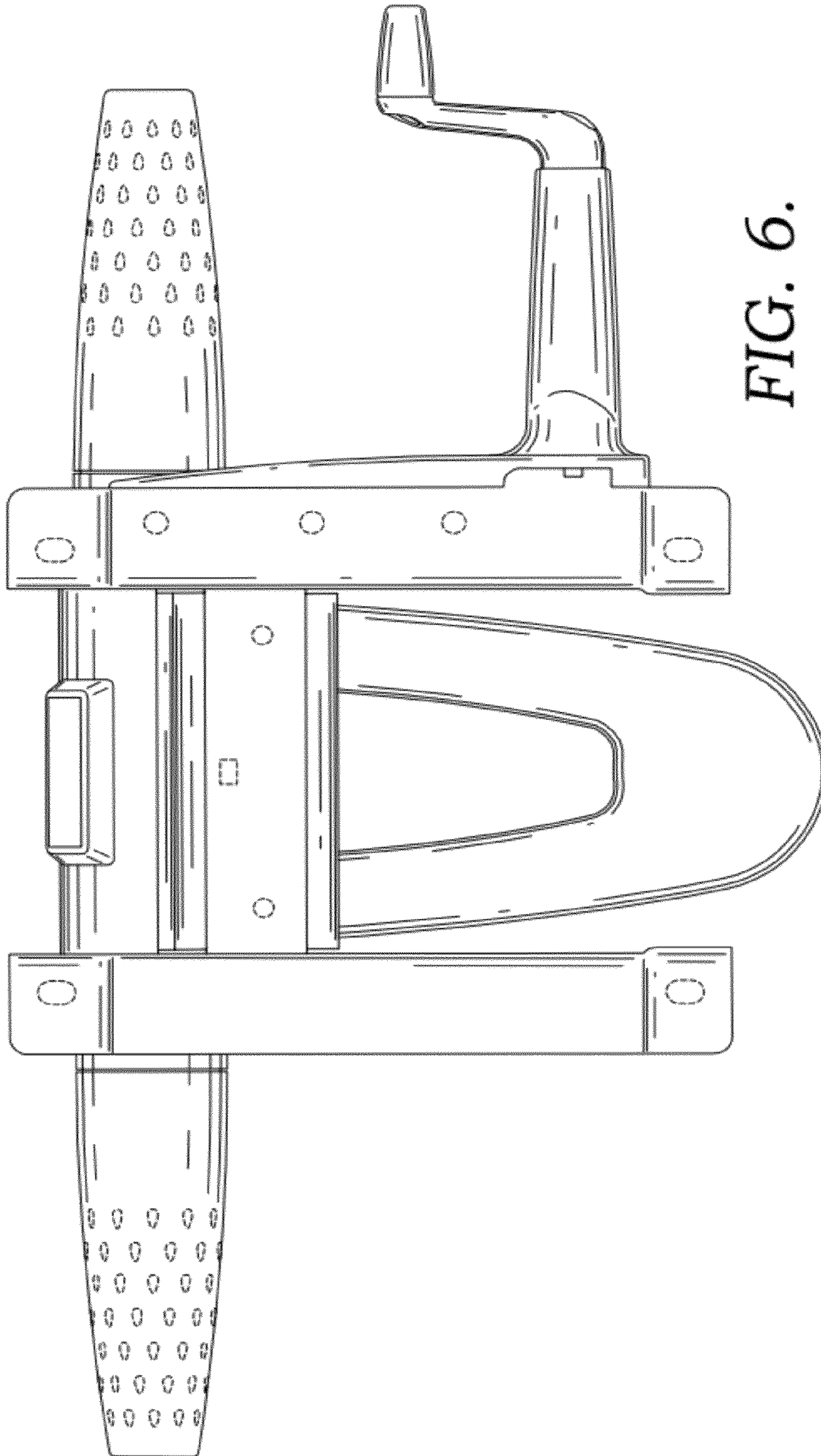


FIG. 6.

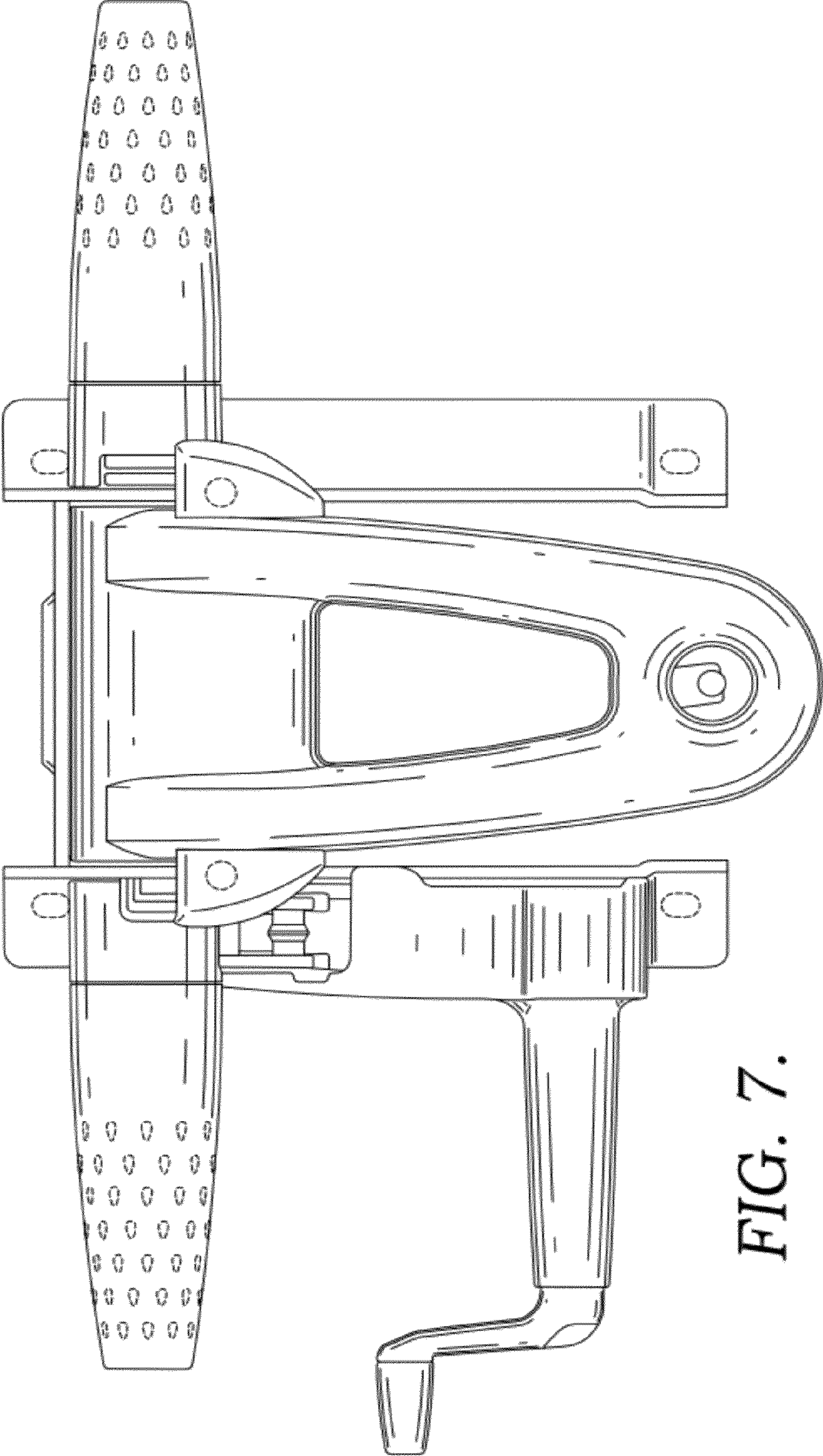


FIG. 7.

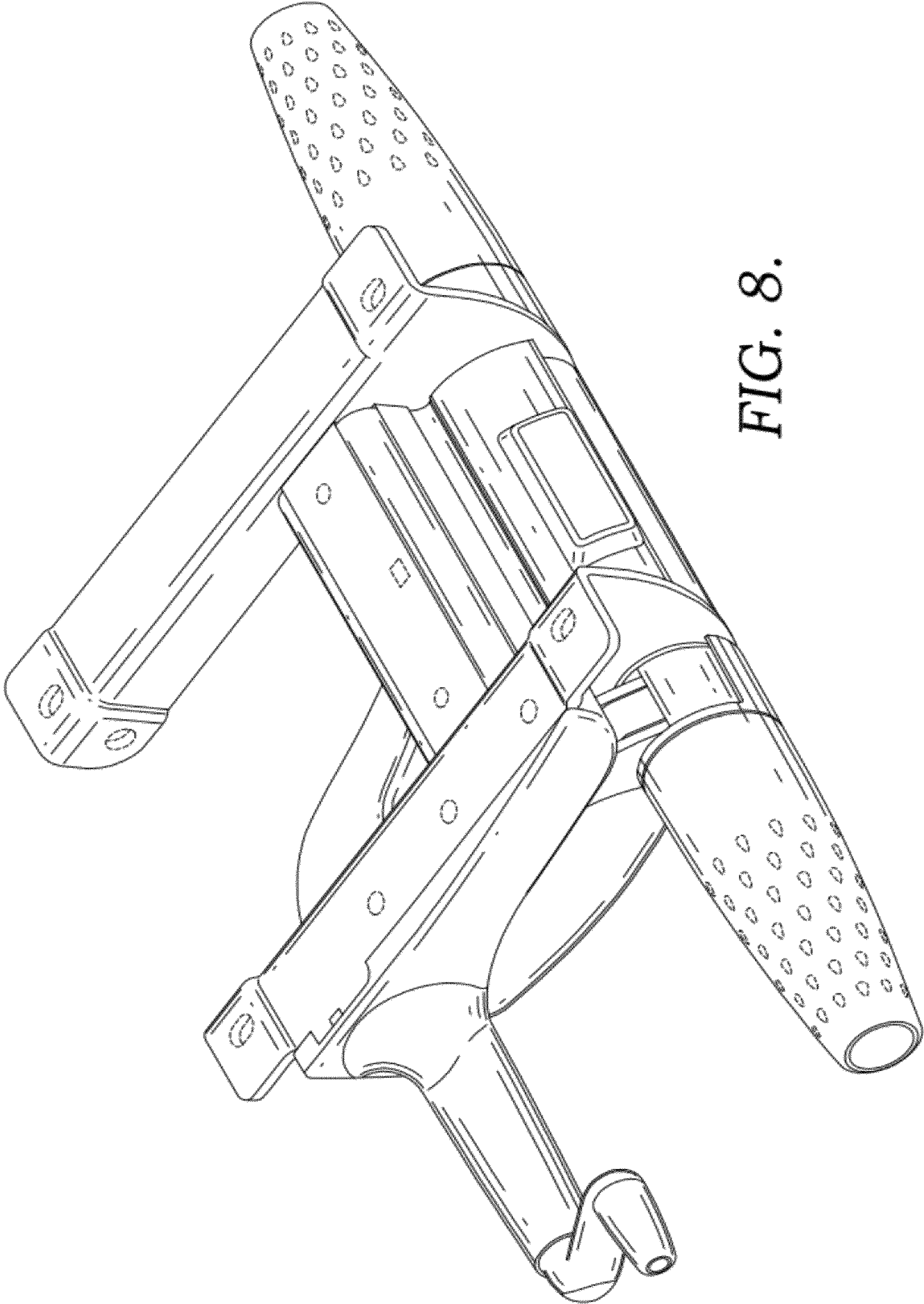


FIG. 8.

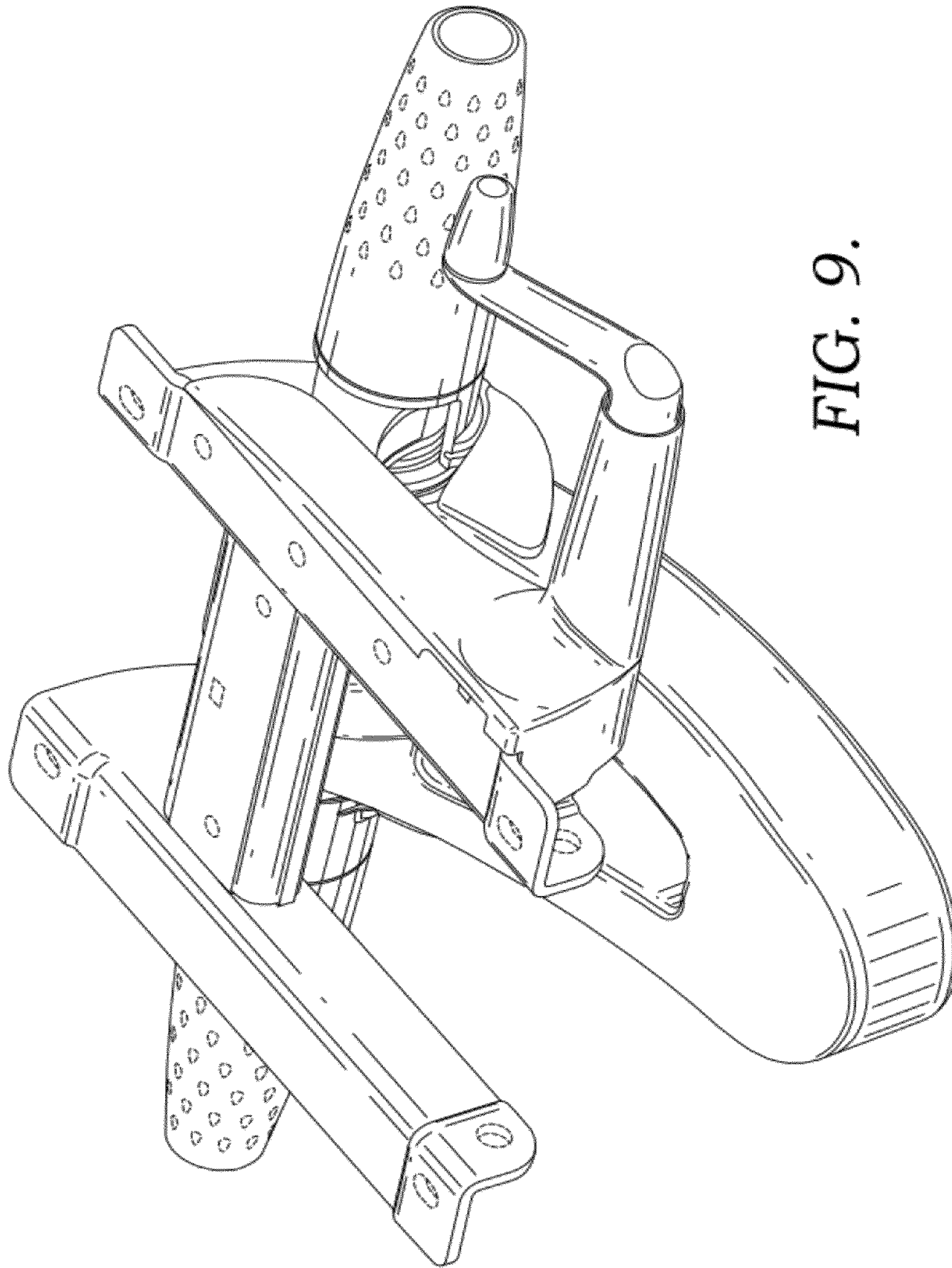


FIG. 9.

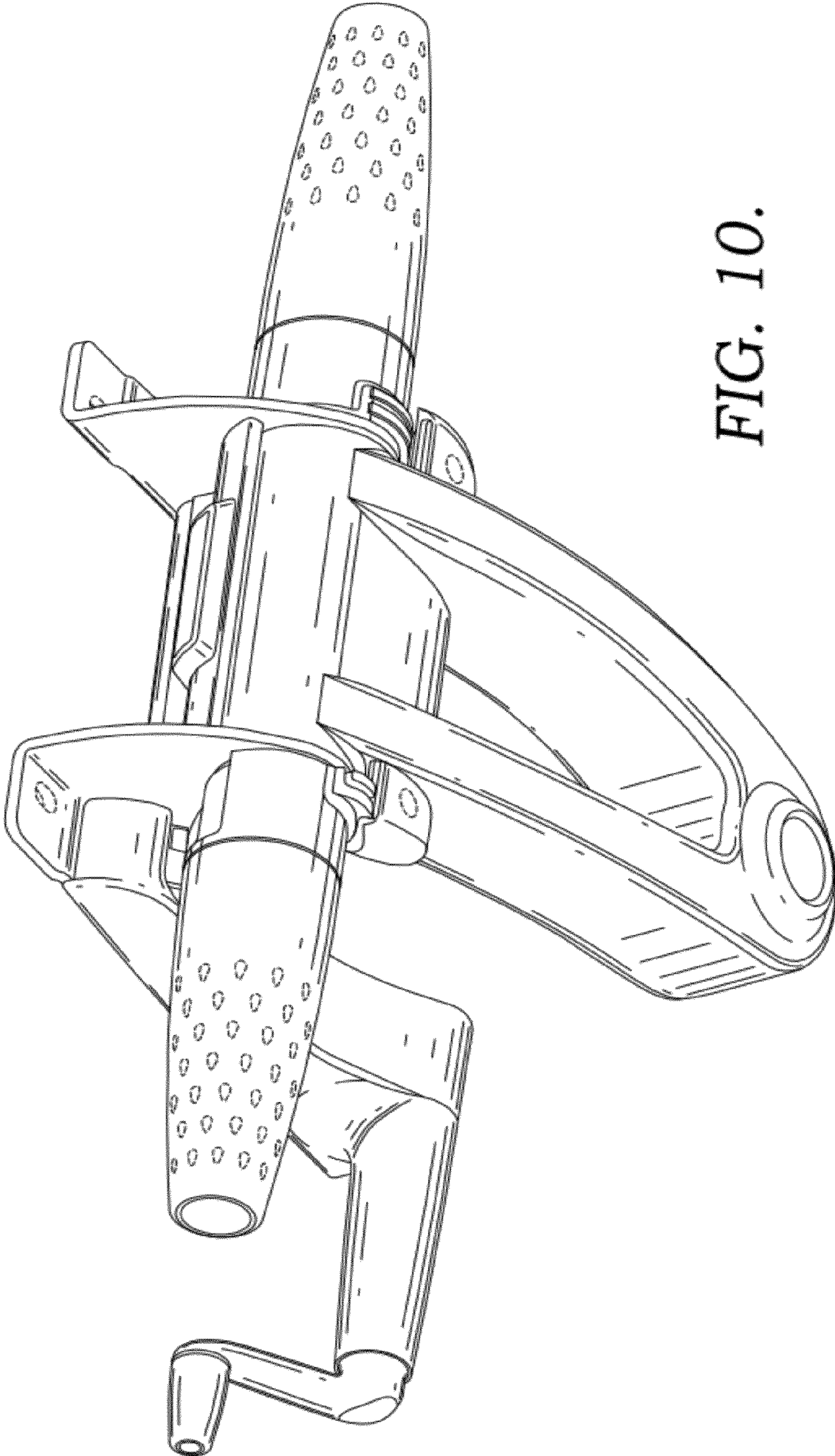


FIG. 10.

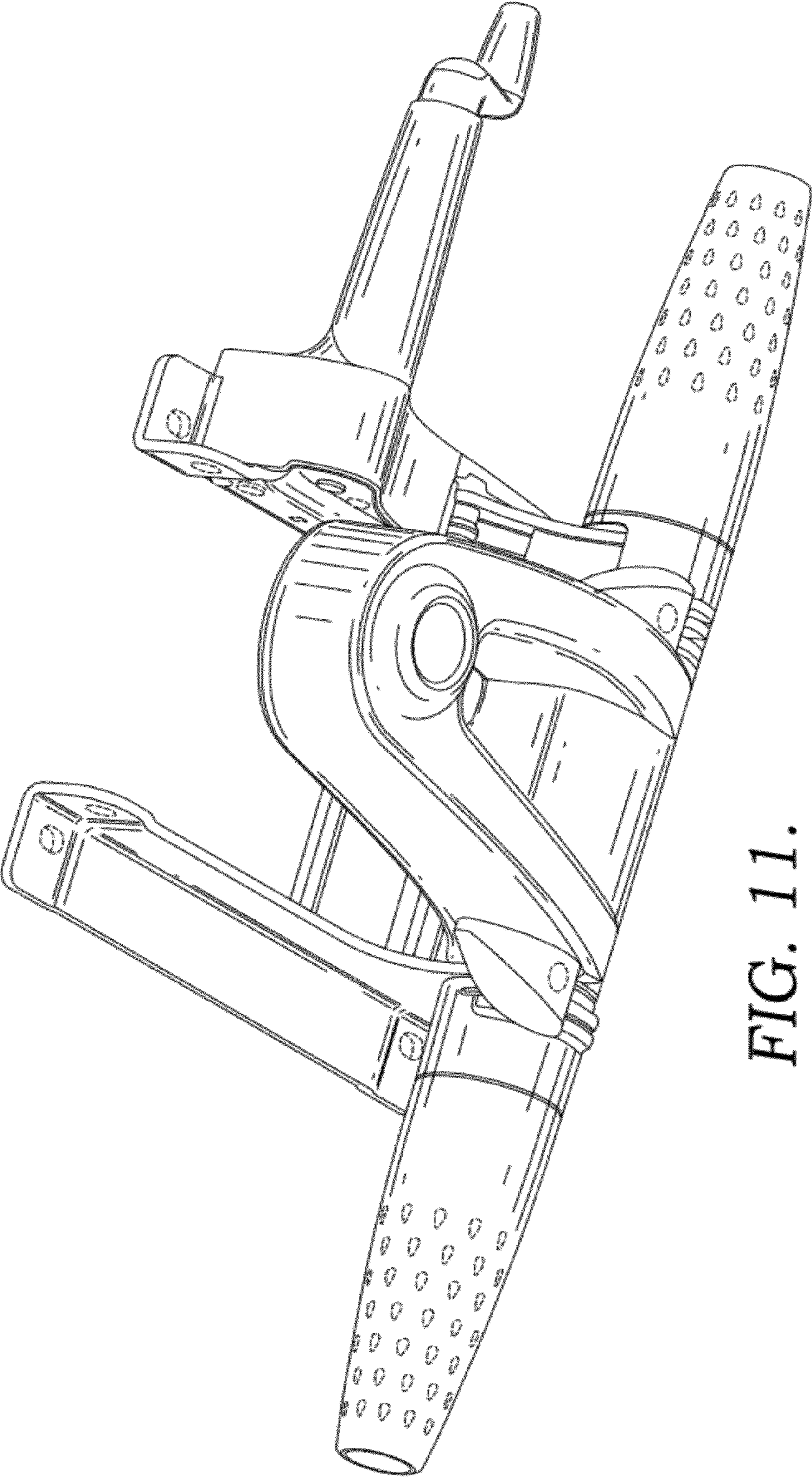


FIG. 11.