



US00D657166S

(12) **United States Design Patent**  
**Behar et al.**

(10) **Patent No.:** **US D657,166 S**  
(45) **Date of Patent:** **\*\* Apr. 10, 2012**

(54) **CHAIR**

(75) Inventors: **Yves Behar**, San Francisco, CA (US);  
**Bret Recor**, San Francisco, CA (US);  
**Qin Li**, South San Francisco, CA (US);  
**Naoya Edahiro**, San Francisco, CA  
(US); **Noah Murphy-Reinhertz**, San  
Francisco, CA (US); **Matthew Swinton**,  
Brooklyn, NY (US)

3,014,762 A 12/1961 Mauser  
3,059,919 A 10/1962 Marchino  
3,095,236 A 6/1963 Klassen  
3,111,344 A 11/1963 Hoven et al.  
3,138,404 A 6/1964 Newton

(Continued)

**FOREIGN PATENT DOCUMENTS**

CA 1315186 3/1993  
(Continued)

(73) Assignee: **Herman Miller, Inc.**, Zeeland, MI (US)

(\*\*) Term: **14 Years**

**OTHER PUBLICATIONS**

Resultat(s) brochure. "Notice complete." INPI. dated 2009. 4 pages.

(21) Appl. No.: **29/359,624**

(Continued)

(22) Filed: **Apr. 13, 2010**

*Primary Examiner* — Ricky Pham

(51) **LOC (9) Cl.** ..... **06-01**

(74) *Attorney, Agent, or Firm* — Brinks Hofer Gilson & Lione

(52) **U.S. Cl.** ..... **D6/500**

(58) **Field of Classification Search** ..... D6/334-336,  
D6/360-369, 373-374, 379-380, 498, 500-502,  
D6/601; 297/284.4-284.5, 291, 297, 411.2,  
297/411.27-411.29, 452.13, 452.19, 452.21,  
297/452.29, 452.3, 452.56, 452.64

(57) **CLAIM**

The ornamental design for a chair, as shown and described.

See application file for complete search history.

**DESCRIPTION**

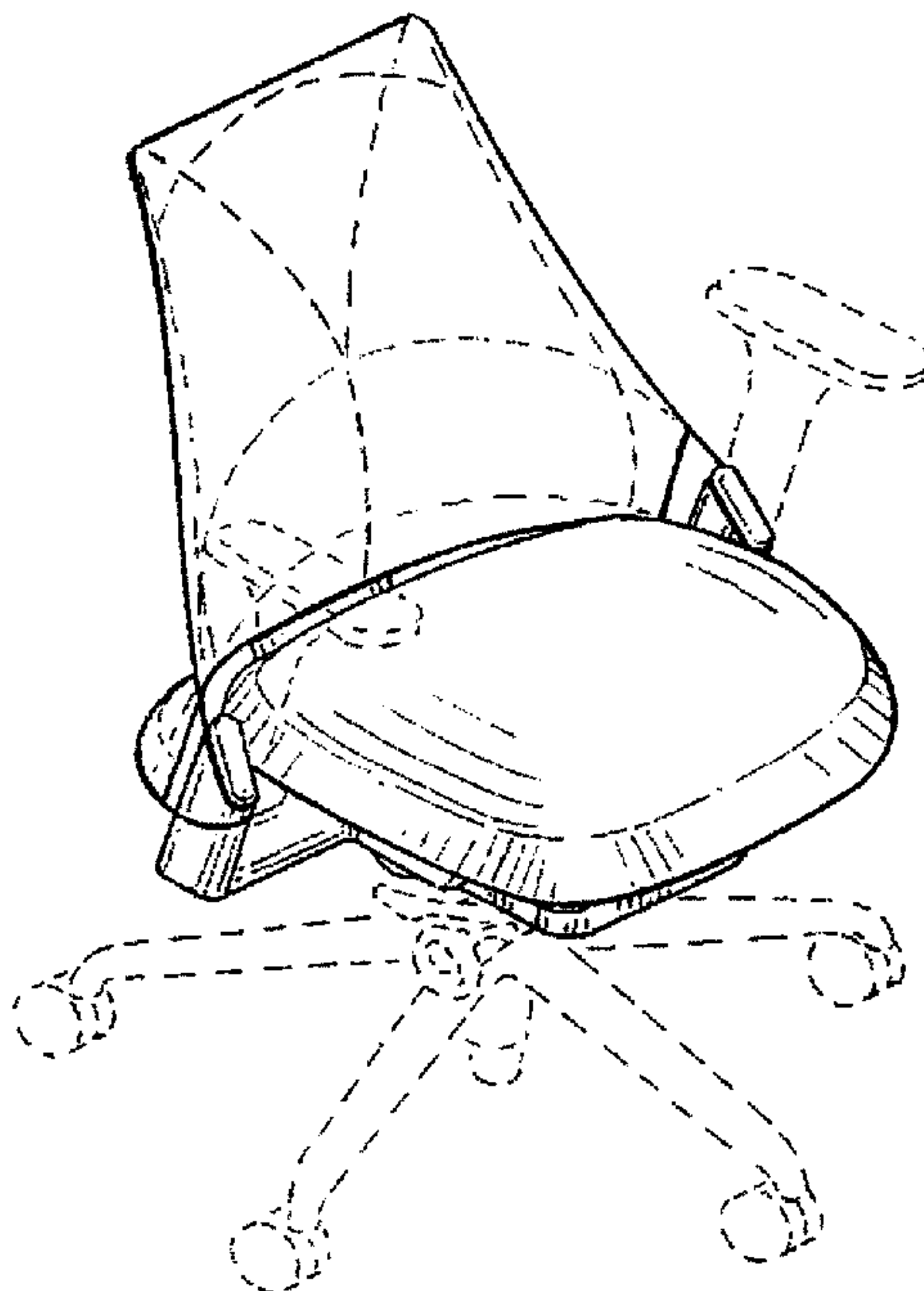
FIG. 1 is a perspective view of a chair;  
FIG. 2 is a left side view of the chair shown in FIG. 1;  
FIG. 3 is a right side view of the chair shown in FIG. 1;  
FIG. 4 is a front view of the chair shown in FIG. 1;  
FIG. 5 is a rear view of the chair shown in FIG. 1;  
FIG. 6 is a top view of the chair shown in FIG. 1; and,  
FIG. 7 is a bottom view of the chair shown in FIG. 1.  
The broken lines showing the base, armrests, and controls for  
the chair in FIGS. 1-7 are for environmental purposes only and  
do not form any part of the claimed design.

(56) **References Cited**

**U.S. PATENT DOCUMENTS**

2,549,902 A 4/1951 Hibbard et al.  
2,558,171 A 6/1951 Chesley  
2,745,468 A 5/1956 Kramer  
2,756,809 A 7/1956 Endresen  
2,894,565 A 7/1959 Conner  
2,931,427 A 4/1960 Goldstein  
2,952,300 A 9/1960 Cohen  
3,006,688 A 10/1961 Ouellette

**1 Claim, 4 Drawing Sheets**



# US D657,166 S

| U.S. PATENT DOCUMENTS |         |                         |              |         |                       |
|-----------------------|---------|-------------------------|--------------|---------|-----------------------|
| D201,355 S            | 6/1965  | Cavelli                 | 5,368,365 A  | 11/1994 | Feldberg              |
| 3,198,578 A           | 8/1965  | Geoffrey et al.         | D355,534 S   | 2/1995  | Saotome               |
| 3,241,879 A           | 3/1966  | Castello et al.         | 5,393,124 A  | 2/1995  | Neil                  |
| 3,446,530 A           | 5/1969  | Rowland                 | 5,393,125 A  | 2/1995  | Watson et al.         |
| 3,608,960 A           | 9/1971  | Sherman                 | D358,515 S   | 5/1995  | Adat                  |
| 3,708,202 A           | 1/1973  | Barecki et al.          | 5,415,459 A  | 5/1995  | Schultz               |
| 3,720,568 A           | 3/1973  | Rowland                 | 5,439,268 A  | 8/1995  | Dozsa-Farkas          |
| 3,762,769 A           | 10/1973 | Poschl                  | 5,460,427 A  | 10/1995 | Serber                |
| 3,767,261 A           | 10/1973 | Rowland                 | 5,478,137 A  | 12/1995 | Olson et al.          |
| 3,814,474 A           | 6/1974  | Baker et al.            | 5,484,187 A  | 1/1996  | Doerner et al.        |
| 3,938,858 A           | 2/1976  | Drabert et al.          | 5,486,035 A  | 1/1996  | Koepke et al.         |
| 3,982,785 A           | 9/1976  | Ambasz                  | 5,487,591 A  | 1/1996  | Knoblock              |
| 4,002,369 A           | 1/1977  | Jennings                | 5,501,507 A  | 3/1996  | Hummitzsch            |
| 4,118,069 A           | 10/1978 | Hunter                  | D368,818 S   | 4/1996  | Adat                  |
| 4,153,293 A           | 5/1979  | Sheldon                 | 5,518,294 A  | 5/1996  | Ligon, Sr. et al.     |
| 4,240,663 A           | 12/1980 | Locher                  | 5,553,917 A  | 9/1996  | Adat et al.           |
| 4,298,227 A           | 11/1981 | Berthier et al.         | 5,567,010 A  | 10/1996 | Sparks                |
| 4,300,362 A           | 11/1981 | Lande et al.            | 5,582,459 A  | 12/1996 | Hama                  |
| 4,313,637 A           | 2/1982  | Barley                  | 5,590,067 A  | 12/1996 | Jones et al.          |
| 4,318,570 A           | 3/1982  | Adam et al.             | 5,590,934 A  | 1/1997  | Gibbs                 |
| 4,350,388 A           | 9/1982  | Weiner                  | 5,597,203 A  | 1/1997  | Hubbard               |
| 4,368,917 A           | 1/1983  | Urai                    | 5,599,067 A  | 2/1997  | Schuelke et al.       |
| 4,390,210 A           | 6/1983  | Wisniewski et al.       | 5,599,068 A  | 2/1997  | Kelly et al.          |
| D270,020 S *          | 8/1983  | Drabert ..... D6/366    | 5,624,158 A  | 4/1997  | Adat et al.           |
| 4,418,958 A           | 12/1983 | Watkin                  | 5,626,394 A  | 5/1997  | Perry                 |
| D273,728 S            | 5/1984  | Cafiero                 | 5,630,643 A  | 5/1997  | Scholten et al.       |
| 4,452,485 A           | 6/1984  | Schuster                | 5,630,647 A  | 5/1997  | Heidmann et al.       |
| 4,502,728 A           | 3/1985  | Sheldon et al.          | 5,641,203 A  | 6/1997  | Van De Riet et al.    |
| 4,502,729 A           | 3/1985  | Locher                  | 5,647,638 A  | 7/1997  | Ritt et al.           |
| 2,843,195 A           | 7/1985  | Barvaeus                | 5,651,586 A  | 7/1997  | Groth                 |
| 4,529,247 A           | 7/1985  | Stumpf                  | 5,655,814 A  | 8/1997  | Gibbs                 |
| 4,541,670 A           | 9/1985  | Morgenstern et al.      | 5,662,381 A  | 9/1997  | Roossien et al.       |
| D281,210 S *          | 11/1985 | Roberts ..... D6/502    | 5,664,841 A  | 9/1997  | Dal Monte             |
| 4,556,254 A           | 12/1985 | Roberts                 | 5,667,277 A  | 9/1997  | Van De Riet           |
| 4,570,994 A           | 2/1986  | Lowrey                  | 5,683,142 A  | 11/1997 | Gunderson et al.      |
| 4,575,152 A           | 3/1986  | McLaughin, Sr.          | 5,685,606 A  | 11/1997 | Lance                 |
| 4,576,351 A           | 3/1986  | Brink                   | 5,695,096 A  | 12/1997 | Yquel                 |
| 4,597,606 A           | 7/1986  | Magee                   | 5,704,689 A  | 1/1998  | Kim                   |
| 4,601,514 A           | 7/1986  | Meiller                 | D390,712 S   | 2/1998  | Koepke et al.         |
| 4,632,454 A           | 12/1986 | Naert                   | 5,718,474 A  | 2/1998  | Kojima et al.         |
| 4,634,178 A           | 1/1987  | Carney                  | 5,718,476 A  | 2/1998  | De Pascal et al.      |
| 4,641,885 A           | 2/1987  | Brauning                | 5,725,276 A  | 3/1998  | Ginat                 |
| 4,648,653 A           | 3/1987  | Rowland                 | 5,746,479 A  | 5/1998  | Bodnar                |
| 4,695,096 A           | 9/1987  | Kincaid                 | 5,749,628 A  | 5/1998  | Synder et al.         |
| 4,718,724 A           | 1/1988  | Quinton                 | 5,752,741 A  | 5/1998  | Bort                  |
| 4,722,569 A           | 2/1988  | Morgenstern et al.      | D394,961 S * | 6/1998  | Fancelli ..... D6/366 |
| 4,730,871 A           | 3/1988  | Sheldon                 | 5,758,925 A  | 6/1998  | Schrewe               |
| 4,799,732 A           | 1/1989  | Yamazaki                | D396,155 S * | 7/1998  | Shamir ..... D6/502   |
| 4,810,033 A           | 3/1989  | Kemmann                 | 5,782,536 A  | 7/1998  | Heidmann et al.       |
| 4,900,085 A           | 2/1990  | Tobler                  | 5,791,733 A  | 8/1998  | Van Hekken et al.     |
| 4,909,568 A           | 3/1990  | Dal Monte               | 5,795,026 A  | 8/1998  | Dral et al.           |
| 4,915,448 A           | 4/1990  | Morgenstern             | 5,797,652 A  | 8/1998  | Darbyshire            |
| 4,961,610 A           | 10/1990 | Reeder et al.           | 5,848,823 A  | 12/1998 | Su                    |
| 4,968,093 A           | 11/1990 | Dal Monte               | 5,853,223 A  | 12/1998 | Ritt et al.           |
| 4,981,325 A           | 1/1991  | Zacharkow               | 5,860,700 A  | 1/1999  | Lance                 |
| 4,993,164 A           | 2/1991  | Jacobsen                | 5,863,095 A  | 1/1999  | Rivard                |
| 5,009,467 A           | 4/1991  | McCoy                   | 5,868,466 A  | 2/1999  | Massara et al.        |
| 5,018,786 A           | 5/1991  | Goldstein et al.        | 5,871,256 A  | 2/1999  | Kogai                 |
| 5,026,116 A           | 6/1991  | Dal Monte               | 5,871,258 A  | 2/1999  | Batthey               |
| 5,076,643 A           | 12/1991 | Colasanti               | 5,876,097 A  | 3/1999  | Cao                   |
| 5,102,196 A           | 4/1992  | Kaneda et al.           | D407,911 S   | 4/1999  | Bräuning              |
| 5,106,161 A           | 4/1992  | Meiller                 | 5,895,095 A  | 4/1999  | Chen                  |
| 5,112,106 A           | 5/1992  | Asbjornsen et al.       | 5,904,400 A  | 5/1999  | Wei                   |
| 5,143,422 A           | 9/1992  | Althofer et al.         | 5,909,923 A  | 6/1999  | DeKraker              |
| 5,195,804 A           | 3/1993  | Stolle et al.           | 5,913,569 A  | 6/1999  | Klingler              |
| 5,197,780 A           | 3/1993  | Coughlin                | 5,927,811 A  | 7/1999  | Tseng                 |
| 5,217,278 A           | 6/1993  | Harrison                | 5,934,758 A  | 8/1999  | Ritch et al.          |
| 5,228,747 A           | 7/1993  | Greene                  | 5,944,382 A  | 8/1999  | Ambasz                |
| 5,249,839 A           | 10/1993 | Faiks                   | 5,944,386 A  | 8/1999  | Yamagishi et al.      |
| 5,277,475 A           | 1/1994  | Brandes                 | D414,349 S   | 9/1999  | Jenkins et al.        |
| 5,288,138 A           | 2/1994  | Stulik                  | 5,961,184 A  | 10/1999 | Balderi et al.        |
| D345,060 S            | 3/1994  | Duncan                  | 5,975,632 A  | 11/1999 | Ginat                 |
| D346,279 S            | 4/1994  | Stumpf et al.           | 5,984,408 A  | 11/1999 | Bujaryn               |
| 5,314,235 A *         | 5/1994  | Johnson ..... 297/284.5 | 5,988,746 A  | 11/1999 | Raftery               |
| 5,314,240 A           | 5/1994  | Ishi                    | D417,792 S   | 12/1999 | Hansen et al.         |
| 5,318,346 A           | 6/1994  | Roossien                | 6,003,948 A  | 12/1999 | Holbrook              |
| D350,033 S *          | 8/1994  | Beaulieu ..... D6/366   | D418,316 S   | 1/2000  | Vogtherr              |
| 5,344,211 A           | 9/1994  | Adat et al.             | 6,017,091 A  | 1/2000  | Cao                   |
|                       |         |                         | 6,027,169 A  | 2/2000  | Roslund, Jr.          |



# US D657,166 S

|              |         |                     |                 |         |                          |
|--------------|---------|---------------------|-----------------|---------|--------------------------|
| 6,030,041 A  | 2/2000  | Hsiao               | 6,616,228 B2    | 9/2003  | Heidmann                 |
| D423,259 S   | 4/2000  | Grove               | 6,626,494 B2    | 9/2003  | Yoo                      |
| 6,053,578 A  | 4/2000  | Van Hekken et al.   | 6,644,749 B2    | 11/2003 | Van De Riet et al.       |
| 6,053,579 A  | 4/2000  | Nelson et al.       | 6,669,294 B2    | 12/2003 | Kinoshita et al.         |
| D424,824 S   | 5/2000  | Chu                 | 6,669,301 B1    | 12/2003 | Funk et al.              |
| 6,056,361 A  | 5/2000  | Cvek                | 6,688,687 B2    | 2/2004  | Chu                      |
| 6,059,362 A  | 5/2000  | Lin                 | 6,688,690 B2    | 2/2004  | Watson et al.            |
| 6,062,649 A  | 5/2000  | Nagel et al.        | 6,698,833 B2    | 3/2004  | Ball et al.              |
| 6,079,785 A  | 6/2000  | Peterson et al.     | 6,709,058 B1    | 3/2004  | Diffrient                |
| 6,095,603 A  | 8/2000  | Hock                | 6,726,285 B2    | 4/2004  | Caruso et al.            |
| 6,099,075 A  | 8/2000  | Watkins             | 6,739,664 B2    | 5/2004  | Kinoshita et al.         |
| 6,099,076 A  | 8/2000  | Nagel et al.        | D490,994 S      | 6/2004  | Schmitz et al.           |
| 6,109,694 A  | 8/2000  | Kurtz               | 6,755,467 B1    | 6/2004  | Chu                      |
| 6,109,696 A  | 8/2000  | Newhouse et al.     | 6,758,523 B2    | 7/2004  | Van De Riet et al.       |
| D431,400 S   | 10/2000 | Grove               | D494,792 S      | 8/2004  | Schmitz et al.           |
| 6,125,521 A  | 10/2000 | Stumpf et al.       | 6,805,405 B2    | 10/2004 | Koo                      |
| 6,129,419 A  | 10/2000 | Neale               | 6,820,935 B1    | 11/2004 | Cioncada                 |
| 6,131,992 A  | 10/2000 | Chang               | 6,837,546 B2    | 1/2005  | Van De Riet et al.       |
| 6,139,102 A  | 10/2000 | Von Moller          | 6,880,215 B2    | 4/2005  | Peterson                 |
| D434,918 S   | 12/2000 | Arko et al.         | 6,899,398 B2    | 5/2005  | Coffield                 |
| D436,259 S   | 1/2001  | Nagamitsu           | 6,908,159 B2    | 6/2005  | Prince et al.            |
| 6,179,384 B1 | 1/2001  | DeKraker et al.     | 6,913,315 B2    | 7/2005  | Ball et al.              |
| D437,701 S   | 2/2001  | Bellini et al.      | 6,955,402 B2    | 10/2005 | Van De Riet et al.       |
| 6,189,971 B1 | 2/2001  | Witzig              | 6,966,606 B2    | 11/2005 | Coffield                 |
| 6,189,972 B1 | 2/2001  | Chu                 | 7,000,987 B2    | 2/2006  | Staarink                 |
| 6,193,307 B1 | 2/2001  | Lin                 | 7,004,543 B2    | 2/2006  | Caruso et al.            |
| D439,451 S   | 3/2001  | Simons, Jr. et al.  | 7,014,269 B2    | 3/2006  | Coffield et al.          |
| D440,419 S   | 4/2001  | Röder               | 7,017,986 B2    | 3/2006  | Degen et al.             |
| D442,790 S   | 5/2001  | Simons, Jr. et al.  | 7,021,705 B1    | 4/2006  | Niermeyer et al.         |
| D442,791 S   | 5/2001  | Simons, Jr. et al.  | 7,036,888 B2    | 5/2006  | Yang et al.              |
| 6,224,160 B1 | 5/2001  | Takeuchi et al.     | 7,040,703 B2    | 5/2006  | Sanchez                  |
| 6,250,715 B1 | 6/2001  | Caruso et al.       | 7,052,081 B2    | 5/2006  | Leng                     |
| D444,309 S   | 7/2001  | Nagamitsu           | 7,059,682 B2    | 6/2006  | Caruso et al.            |
| D444,955 S   | 7/2001  | Su                  | 7,096,549 B2    | 8/2006  | Coffield                 |
| 6,254,186 B1 | 7/2001  | Falzon              | 7,185,910 B2    | 3/2007  | Beauchesne et al.        |
| 6,260,921 B1 | 7/2001  | Chu et al.          | 7,226,123 B1    | 6/2007  | Lin et al.               |
| 6,279,991 B1 | 8/2001  | Atkins et al.       | 7,234,772 B2    | 6/2007  | Wells                    |
| D449,172 S   | 10/2001 | Van De Riet et al.  | 7,234,773 B2    | 6/2007  | Raftery et al.           |
| D449,174 S   | 10/2001 | Neil                | 7,234,775 B2    | 6/2007  | Serber                   |
| D449,176 S   | 10/2001 | Schulte et al.      | 7,249,802 B2    | 7/2007  | Schmitz et al.           |
| 6,305,742 B1 | 10/2001 | Spendlove et al.    | D548,993 S *    | 8/2007  | Fancelli ..... D6/366    |
| D449,938 S   | 11/2001 | Van De Riet et al.  | 7,267,405 B2    | 9/2007  | Tin                      |
| 6,322,145 B1 | 11/2001 | Melgarejo et al.    | 7,293,826 B2    | 11/2007 | Lu et al.                |
| D451,293 S   | 12/2001 | Su                  | 7,347,495 B2    | 3/2008  | Beyer et al.             |
| D453,633 S   | 2/2002  | Diffrient           | 7,419,222 B2    | 9/2008  | Schmitz et al.           |
| D455,571 S   | 4/2002  | Van De Riet et al.  | 7,445,277 B2    | 11/2008 | Voris                    |
| D456,160 S   | 4/2002  | Van De Riet et al.  | 7,455,365 B2    | 11/2008 | Caruso et al.            |
| D456,164 S   | 4/2002  | Van De Riet et al.  | 7,472,962 B2    | 1/2009  | Caruso et al.            |
| 6,367,876 B2 | 4/2002  | Caruso et al.       | D586,137 S *    | 2/2009  | Massaud ..... D6/366     |
| 6,378,942 B1 | 4/2002  | Chu                 | D587,950 S *    | 3/2009  | Long ..... D6/601        |
| D456,626 S   | 5/2002  | Su                  | 7,585,028 B2    | 9/2009  | Jenkins                  |
| D456,650 S   | 5/2002  | Ball et al.         | 7,625,046 B2    | 12/2009 | Sanchez                  |
| D457,023 S   | 5/2002  | Ball et al.         | D611,263 S *    | 3/2010  | Werner ..... D6/366      |
| 6,382,719 B1 | 5/2002  | Heidmann et al.     | D637,423 S *    | 5/2011  | Behar et al. .... D6/500 |
| 6,386,627 B1 | 5/2002  | Tsai                | D639,091 S *    | 6/2011  | Behar et al. .... D6/502 |
| 6,386,636 B2 | 5/2002  | Caruso et al.       | 2001/0030457 A1 | 10/2001 | Gregory                  |
| 6,394,545 B2 | 5/2002  | Knoblock et al.     | 2002/0043841 A1 | 4/2002  | Giacinto                 |
| D460,300 S   | 7/2002  | Fifield et al.      | 2002/0060492 A1 | 5/2002  | Nagamitsu et al.         |
| D460,869 S   | 7/2002  | Koepke et al.       | 2002/0096920 A1 | 7/2002  | Watson et al.            |
| D460,870 S   | 7/2002  | Van De Riet et al.  | 2002/0190564 A1 | 12/2002 | Coffield et al.          |
| 6,419,318 B1 | 7/2002  | Albright            | 2003/0001425 A1 | 1/2003  | Koepke et al.            |
| D461,323 S   | 8/2002  | Su                  | 2003/0178882 A1 | 9/2003  | Schmitz                  |
| D461,661 S   | 8/2002  | Koepke et al.       | 2004/0124679 A1 | 7/2004  | Teppo et al.             |
| 6,439,661 B1 | 8/2002  | Bräuning            | 2004/0140701 A1 | 7/2004  | Schmitz                  |
| D462,187 S   | 9/2002  | Koepke et al.       | 2005/0001461 A1 | 1/2005  | Caruso                   |
| D463,693 S   | 10/2002 | Hsieh               | 2005/0093345 A1 | 5/2005  | Matern et al.            |
| 6,471,294 B1 | 10/2002 | Dammermann et al.   | 2007/0057549 A1 | 3/2007  | Ball et al.              |
| 6,478,379 B1 | 11/2002 | Ambasz              |                 |         |                          |
| 6,488,335 B1 | 12/2002 | Cioncada            |                 |         |                          |
| 6,523,898 B1 | 2/2003  | Ball et al.         |                 |         |                          |
| D471,042 S   | 3/2003  | Schmitz et al.      |                 |         |                          |
| D471,370 S   | 3/2003  | Schmitz et al.      |                 |         |                          |
| 6,540,950 B1 | 4/2003  | Coffield            |                 |         |                          |
| D474,346 S   | 5/2003  | Saylor et al.       |                 |         |                          |
| 6,557,938 B1 | 5/2003  | Long                |                 |         |                          |
| 6,568,760 B2 | 5/2003  | Davis et al.        |                 |         |                          |
| D475,859 S * | 6/2003  | Kryger ..... D6/366 |                 |         |                          |
| 6,572,190 B2 | 6/2003  | Koepke et al.       |                 |         |                          |
| 6,598,251 B2 | 7/2003  | Habboub et al.      |                 |         |                          |

## FOREIGN PATENT DOCUMENTS

|    |               |         |
|----|---------------|---------|
| CN | 2566705 Y     | 8/2002  |
| DE | 3125312       | 1/1983  |
| DE | 201 00 569 U1 | 3/2001  |
| EP | 0 154 582 A3  | 9/1985  |
| EP | 0 242 140 A2  | 10/1987 |
| EP | 0 815 778 A1  | 1/1998  |
| FR | 2 267 726 A1  | 11/1975 |
| FR | 2 278 295 A1  | 2/1976  |
| GB | 925 337       | 5/1963  |
| GB | 967 059       | 8/1964  |

# US D657,166 S

Page 4

---

|    |                |         |
|----|----------------|---------|
| GB | 1 276 273      | 6/1972  |
| GB | 2 165 445 A    | 4/1986  |
| JP | 57-050251 A    | 9/1955  |
| JP | 62-055691 A    | 3/1987  |
| JP | 63-187947 A    | 12/1988 |
| JP | 02-050250 U    | 2/1990  |
| JP | 02-095305 A    | 4/1990  |
| JP | 02-159215 A    | 6/1990  |
| JP | 08-004544 A    | 1/1996  |
| JP | 10-179314 A    | 7/1998  |
| WO | WO 89/09557 A1 | 10/1989 |
| WO | WO 92/20262 A1 | 11/1992 |
| WO | WO 93/25121 A1 | 12/1993 |
| WO | WO 95/34233 A1 | 12/1995 |
| WO | WO 98/48668 A1 | 11/1998 |

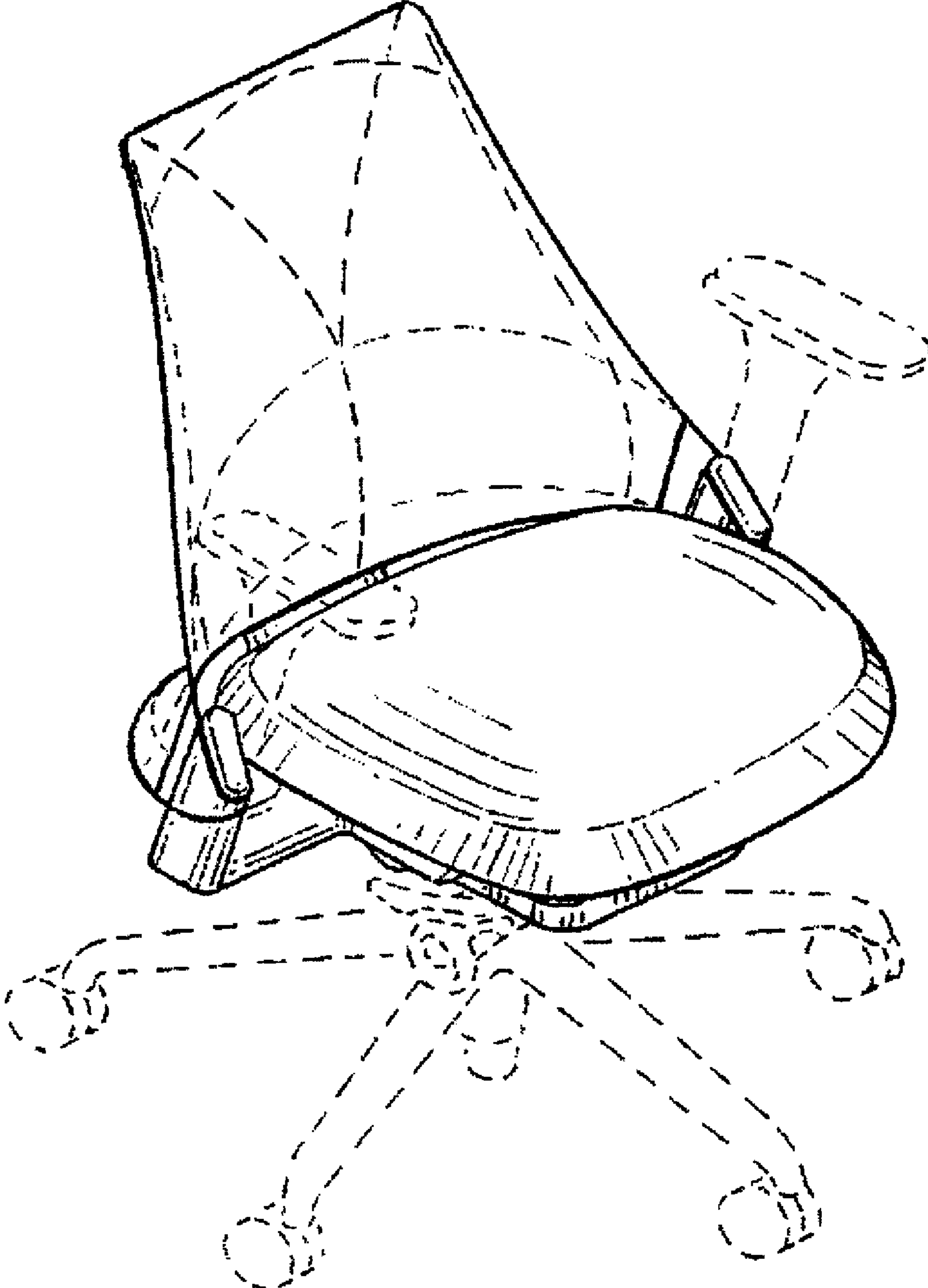
|    |                   |         |
|----|-------------------|---------|
| WO | WO 00/22961 A1    | 4/2000  |
| WO | WO 00/74531 A2    | 12/2000 |
| WO | WO 01/43685 A1    | 6/2001  |
| WO | WO 2007/099376 A2 | 9/2007  |
| WO | WO 2008/103674    | 8/2008  |

## OTHER PUBLICATIONS

Arbitare brochure, dated Apr. 1997, 4 pages.  
Arbitare brochure, "Mobile & Misure 88." dated Sep. 1988, 3 pages.  
Arbitare brochure, "Mini Spazi," dated Oct. 1988, 3 pages.  
md brochure, "moebel interior design," dated Jan. 1, 1996, 3 pages.  
md brochure, dated May 5, 1998, 3 pages.  
Shitsunai brochure, "No. 500," dated 1996, 2 pages.

\* cited by examiner

FIG. 1





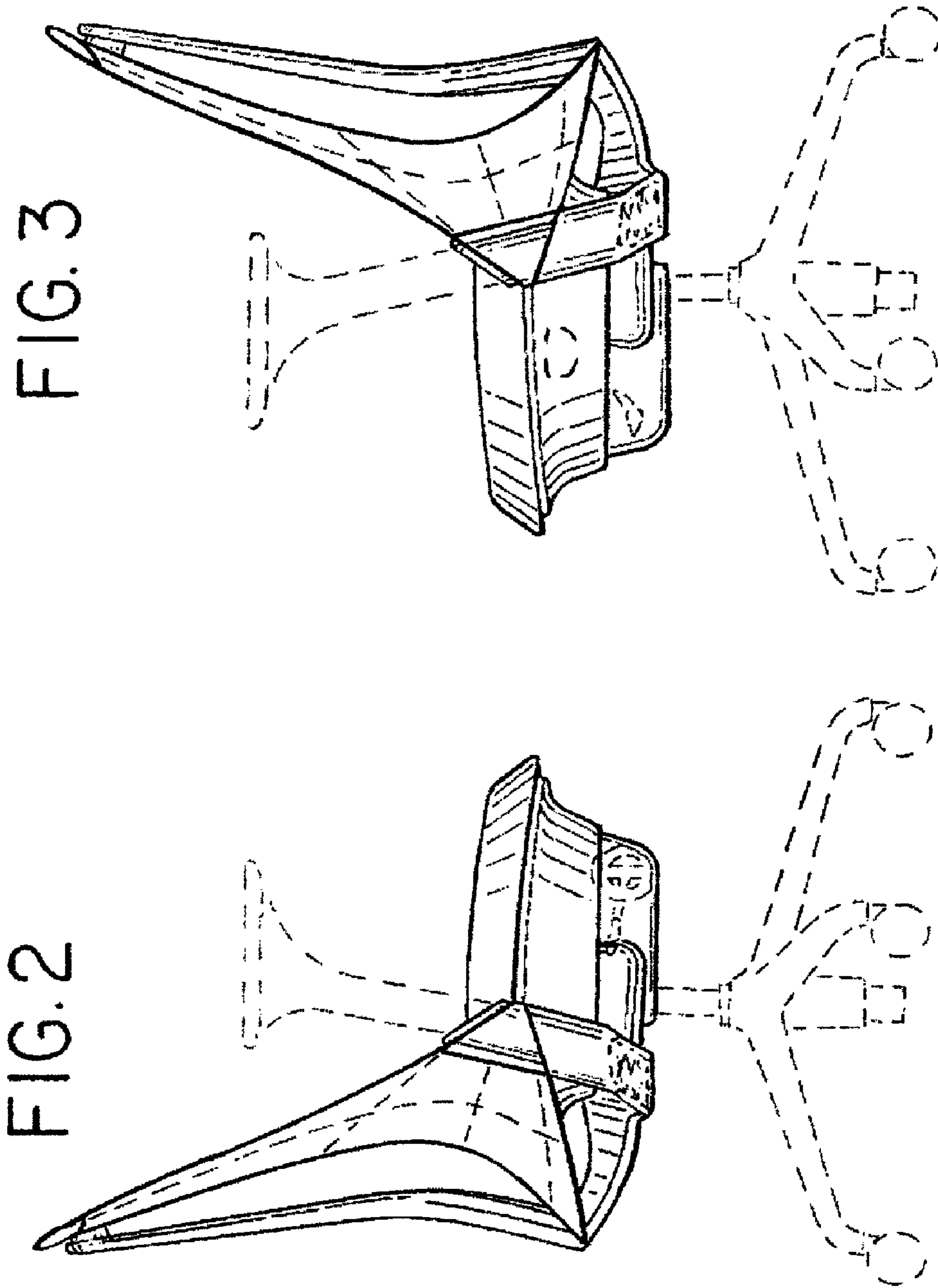


FIG. 3

FIG. 2

FIG. 5

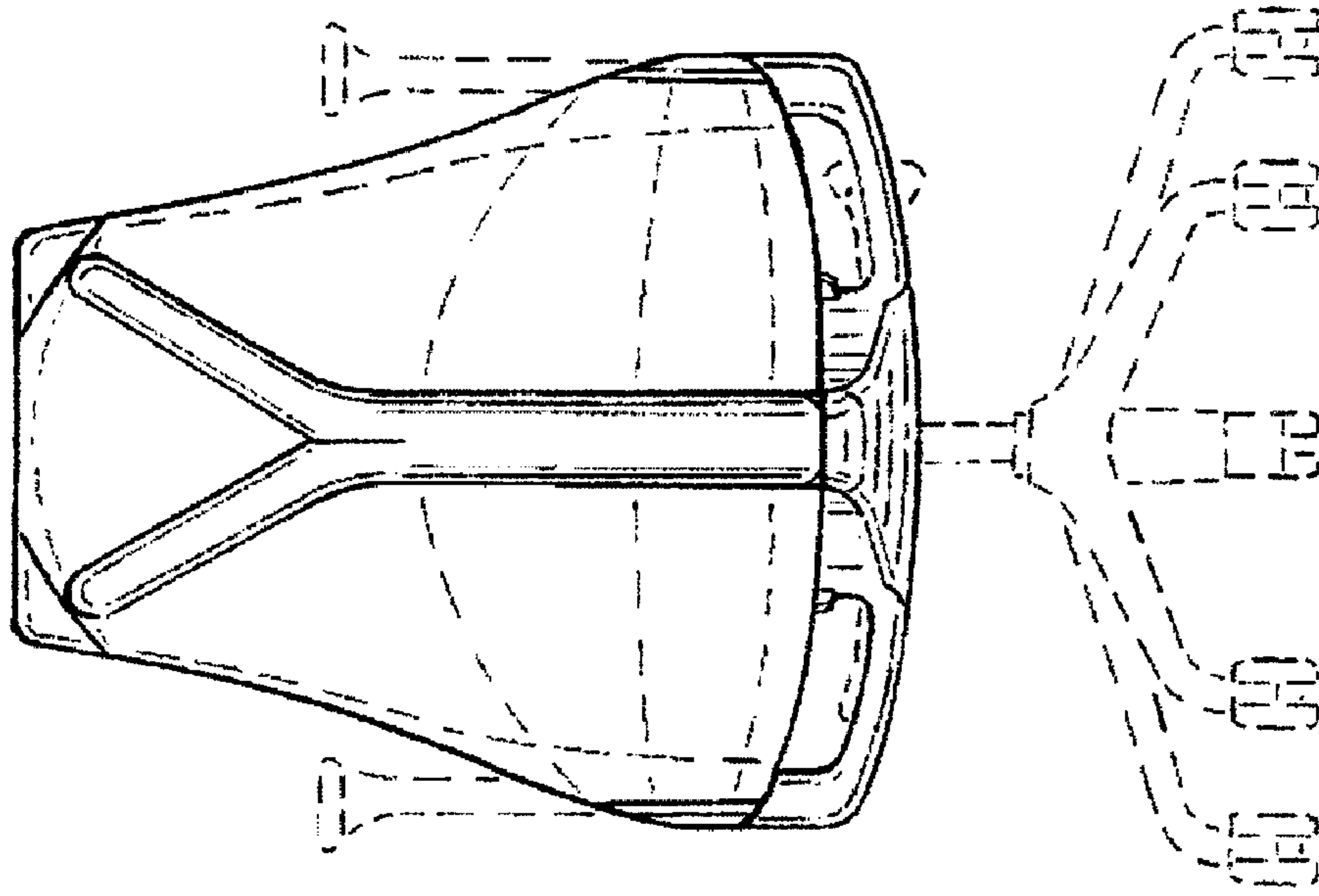


FIG. 4

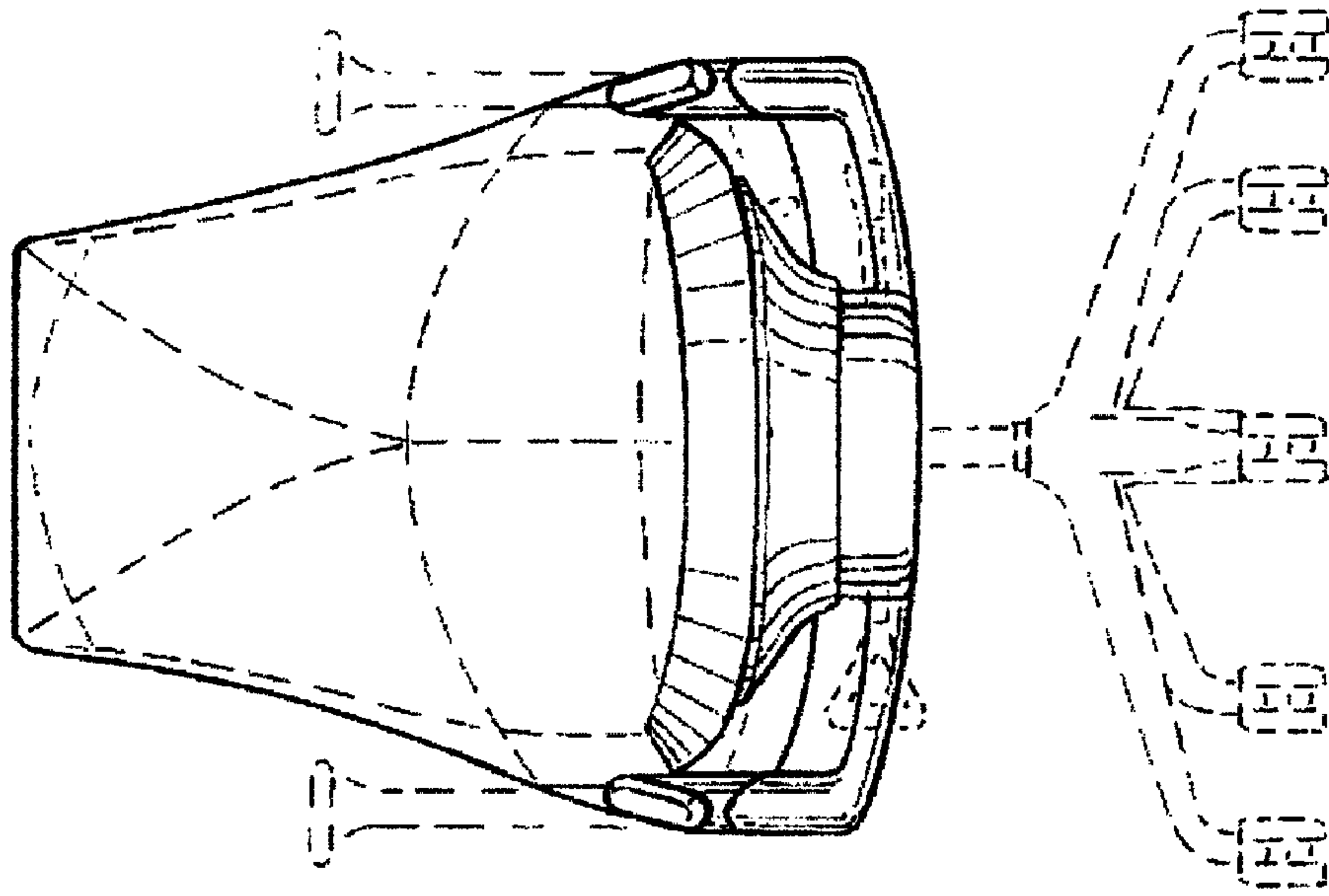


FIG. 6

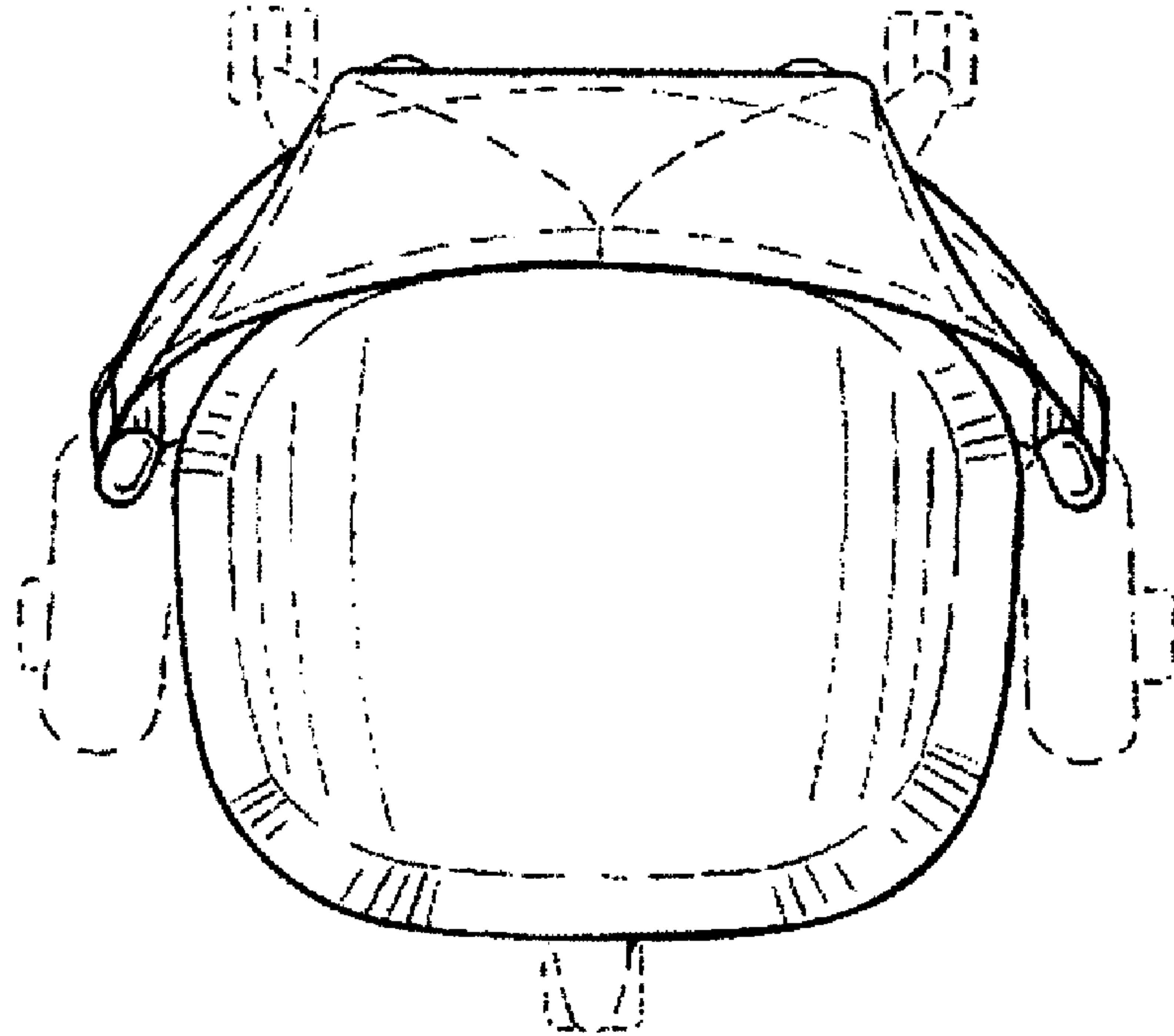


FIG. 7

