



US00D657164S

(12) **United States Design Patent**
Grimaldi

(10) **Patent No.:** **US D657,164 S**
(45) **Date of Patent:** **** Apr. 10, 2012**

(54) **NESTED BUCKETS**

(75) Inventor: **Michele Grimaldi**, Rivalta (IT)

(73) Assignee: **Sandrine Thibaud**, Rivalta (IT)

(**) Term: **14 Years**

(21) Appl. No.: **29/402,504**

(22) Filed: **Sep. 23, 2011**

Related U.S. Application Data

(63) Continuation of application No. 29/367,452, filed on Aug. 9, 2010.

(30) **Foreign Application Priority Data**

Mar. 2, 2010 (EM) 001676180-002

(51) **LOC (9) Cl.** **06-06**

(52) **U.S. Cl.** **D6/491; D7/354; D7/603; D32/53**

(58) **Field of Classification Search** D6/480-489,
D6/429-431, 491, 509; D7/603, 354; 108/150,
108/153.1, 155, 156, 161, 14, 25, 26; D3/307-309;
D32/53; 126/377.1, 385.1; 621/371, 372;
15/264

See application file for complete search history.

(56) **References Cited**

U.S. PATENT DOCUMENTS

2,051,940 A * 8/1936 Chichester-Miles 220/754
2,094,915 A * 10/1937 Dawson 126/25 R
2,839,209 A * 6/1958 Lester et al. 215/13.1
D233,585 S * 11/1974 Thomas D7/354
5,107,096 A * 4/1992 Knees 219/436

2003/0070590 A1 * 4/2003 Weiss et al. 108/26
2010/0175593 A1 * 7/2010 Davis 108/25

* cited by examiner

Primary Examiner — Janice Seeger

(74) *Attorney, Agent, or Firm* — Buchanan Nipper

(57) **CLAIM**

The ornamental design for nested buckets, as shown and described.

DESCRIPTION

FIG. 1 is a upper perspective view of nested buckets illustrating my new design, including an outer bucket and an inner bucket, illustrating the outer and inner buckets nested and the handle rotated to a vertical position;

FIG. 2 is an exploded elevation view thereof;

FIG. 3 is an exploded elevation view thereof, rotated 90 degrees along the vertical axis from the view angle of FIG. 2;

FIG. 4 is a partial, top plan view thereof, illustrating the inner bucket and the handle rotated to a vertical position;

FIG. 5 is a bottom plan view thereof, illustrating the outer and inner buckets nested;

FIG. 6 is a partial, top plan view thereof, illustrating the outer bucket;

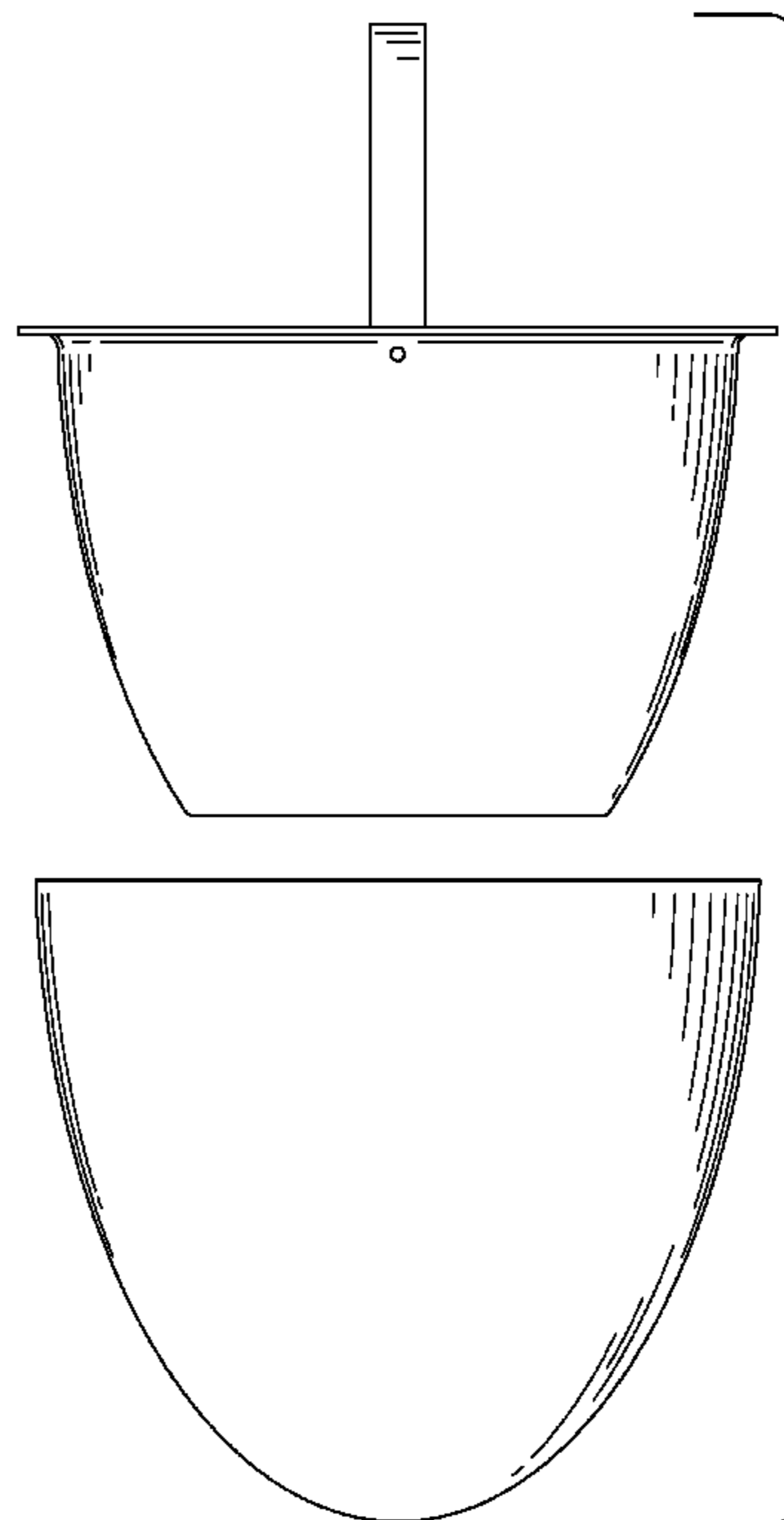
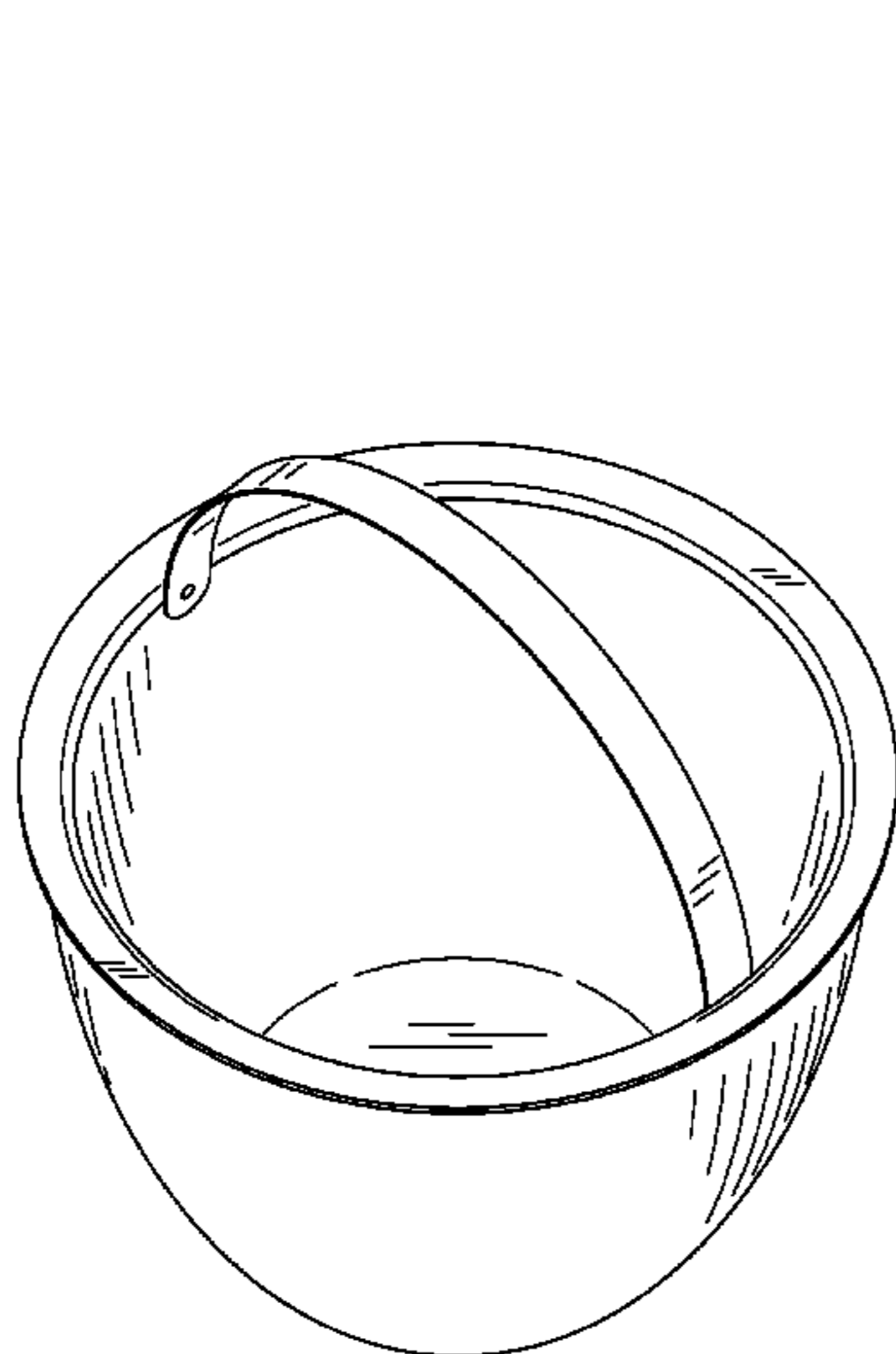
FIG. 7 is a partial, bottom plan view thereof, illustrating the outer bucket;

FIG. 8 is a partial, bottom plan view thereof, illustrating the inner bucket;

FIG. 9 is a partial, top plan view thereof, illustrating the outer and inner buckets nested and the handle rotated to a horizontal position; and,

FIG. 10 is a cross-sectional view along the line 10-10 of FIG. 9.

1 Claim, 7 Drawing Sheets



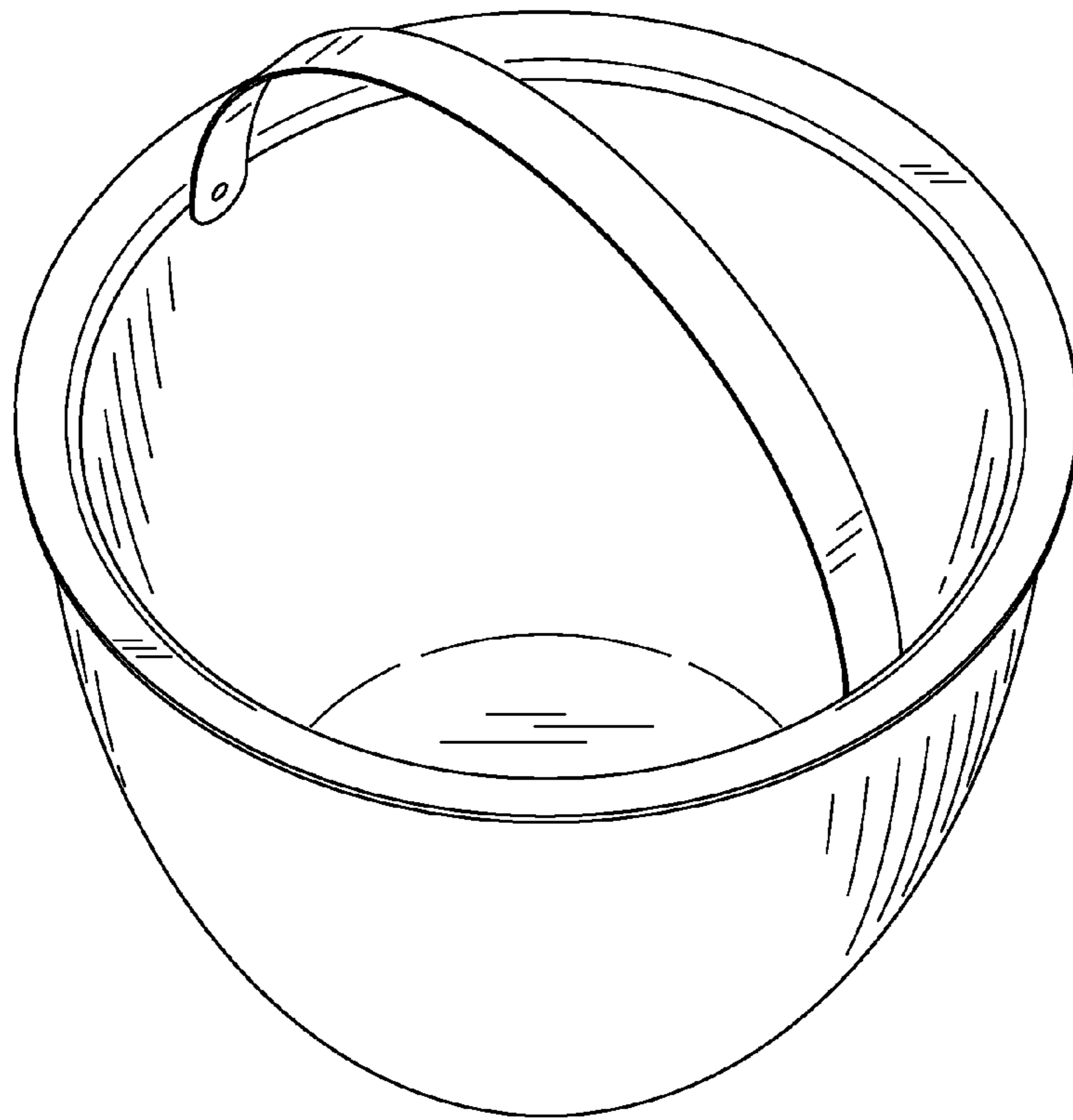


FIG. 1

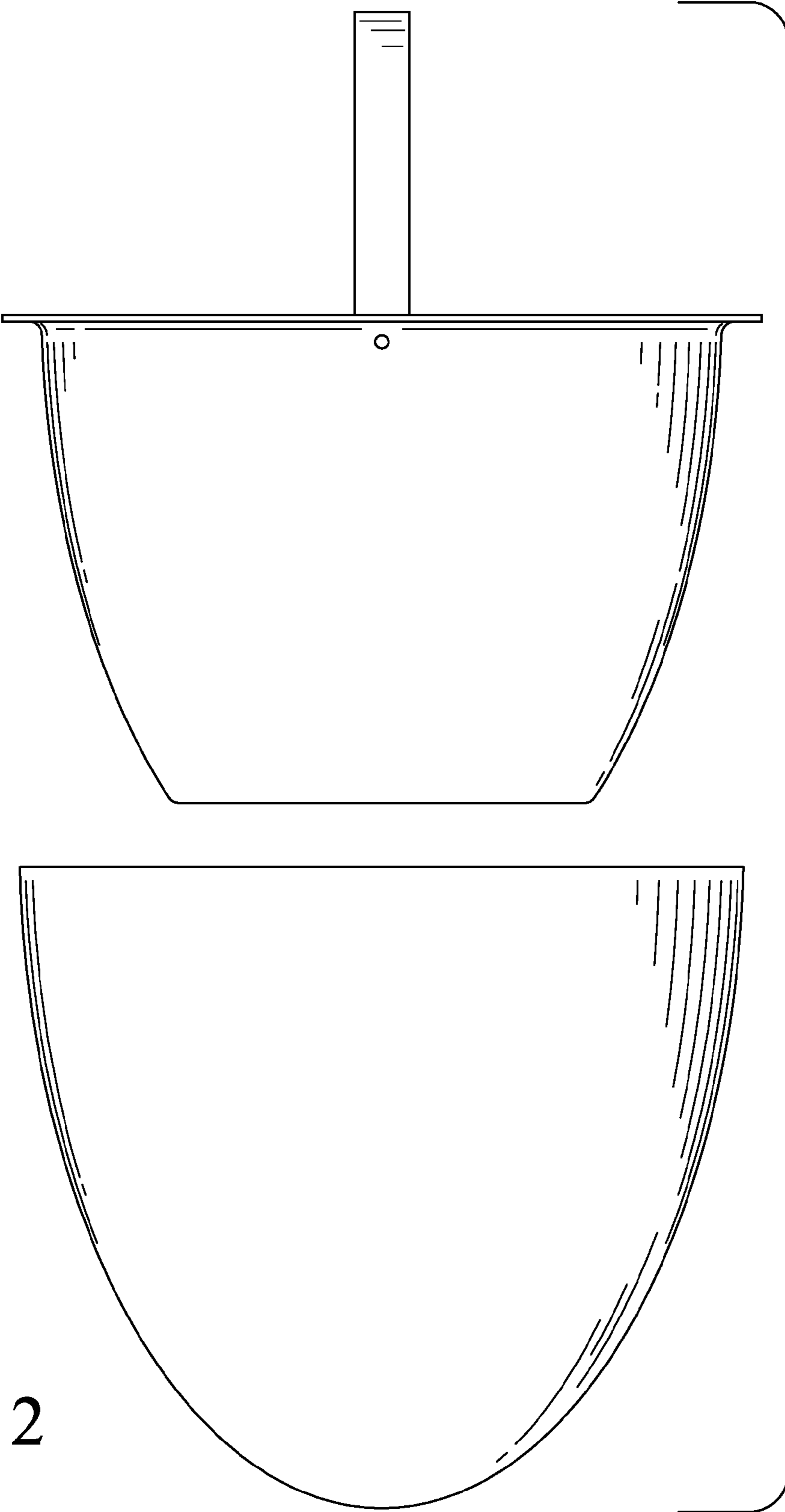


FIG. 2

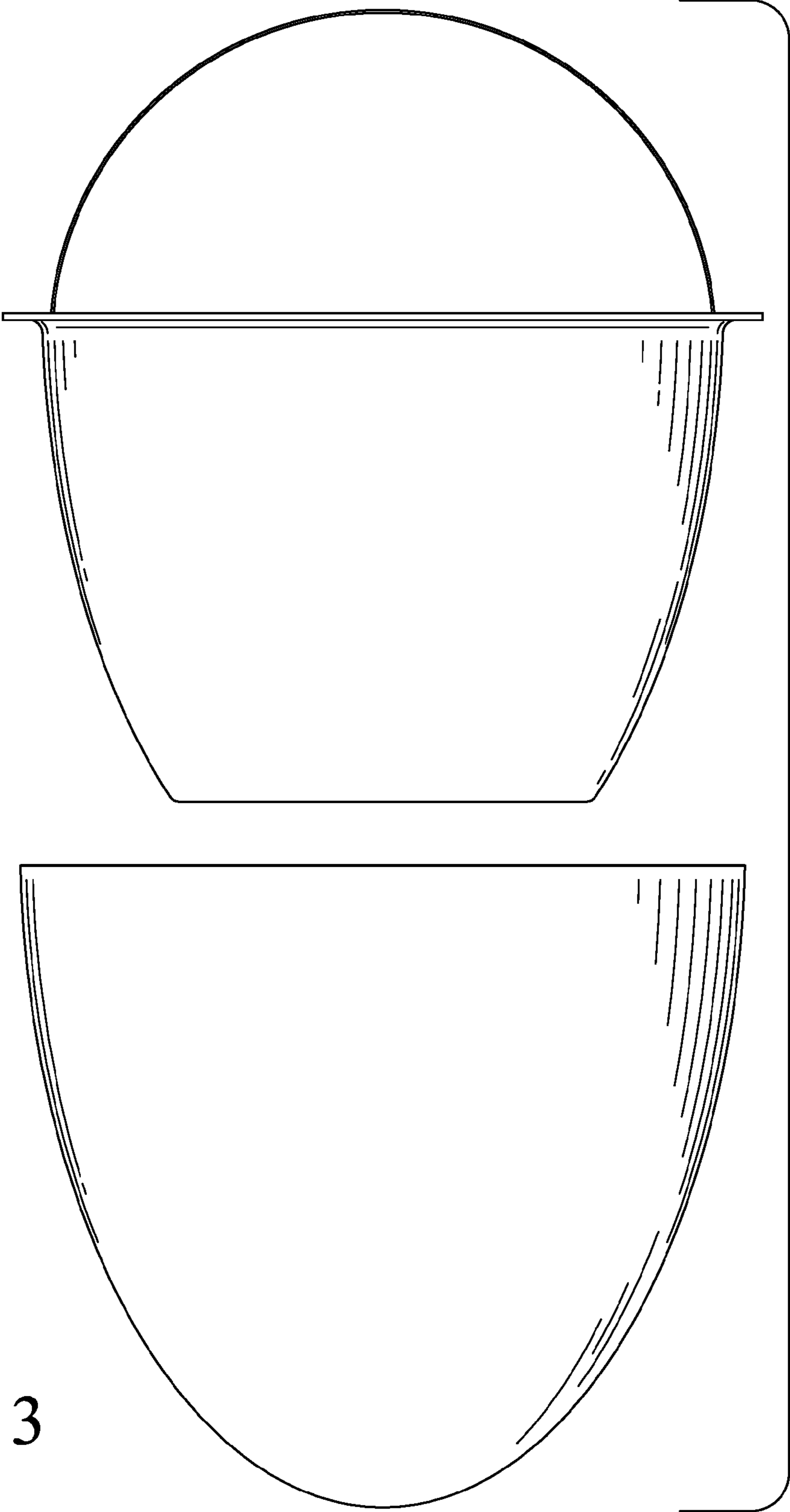


FIG. 3

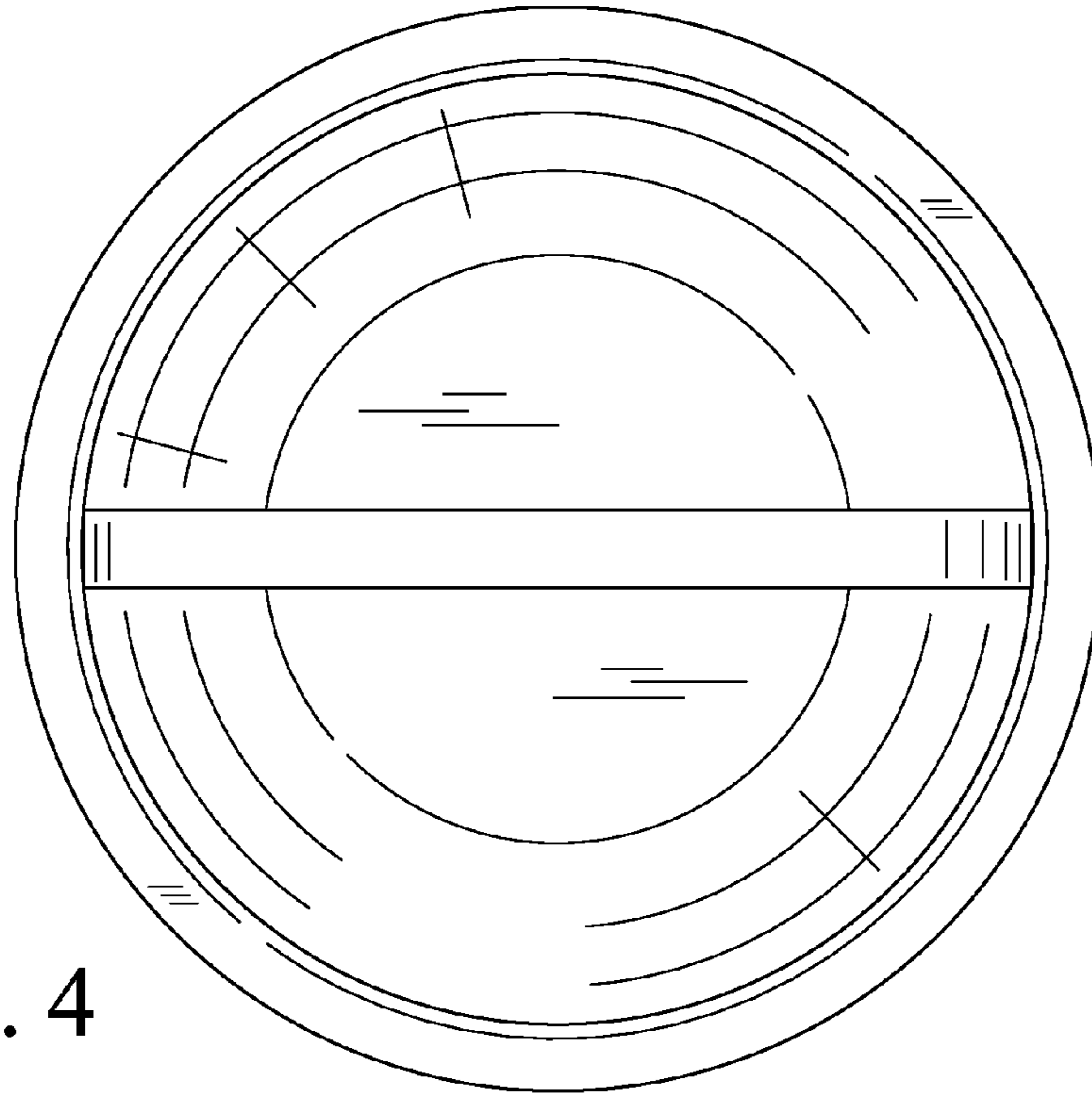


FIG. 4

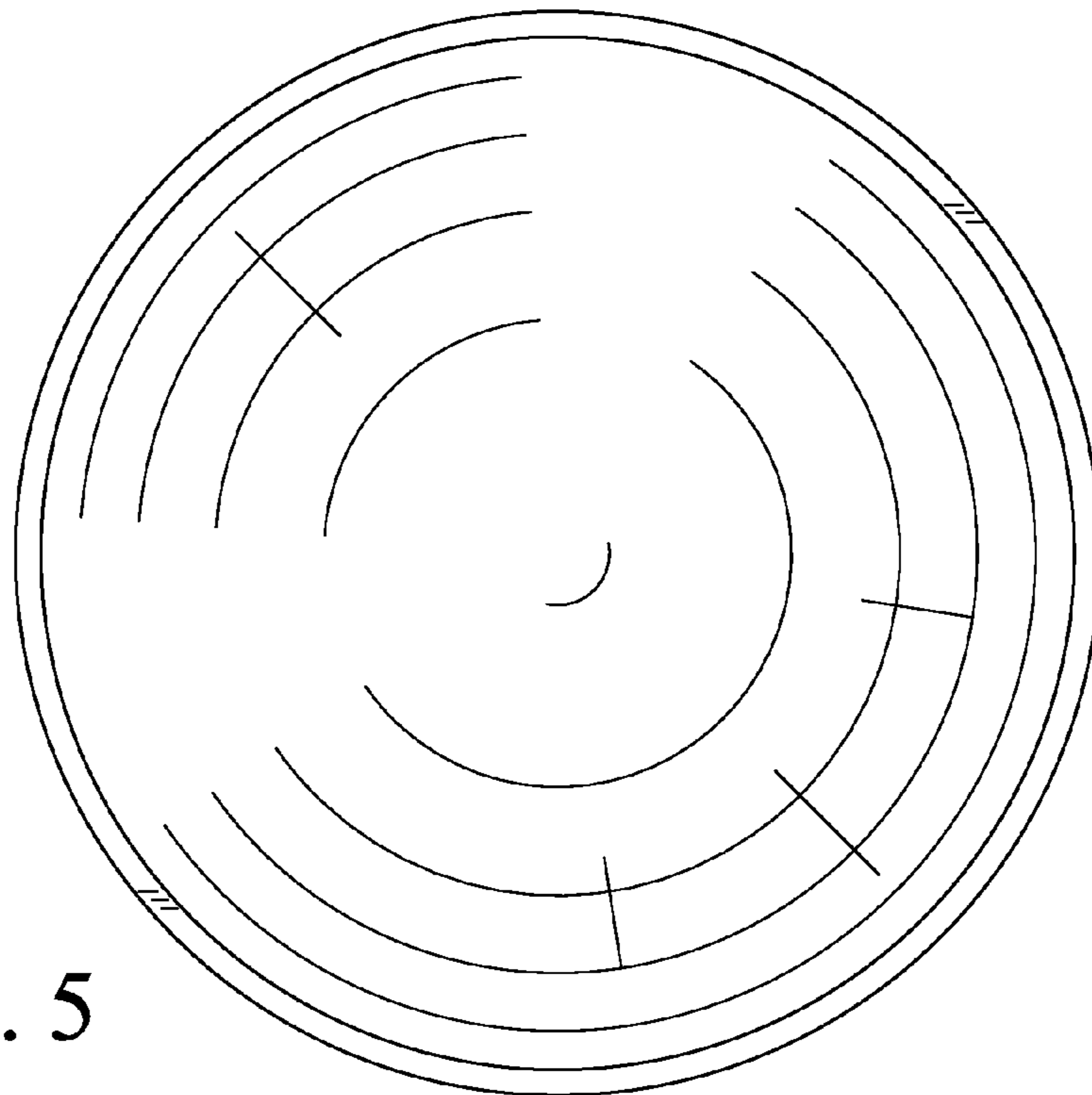


FIG. 5

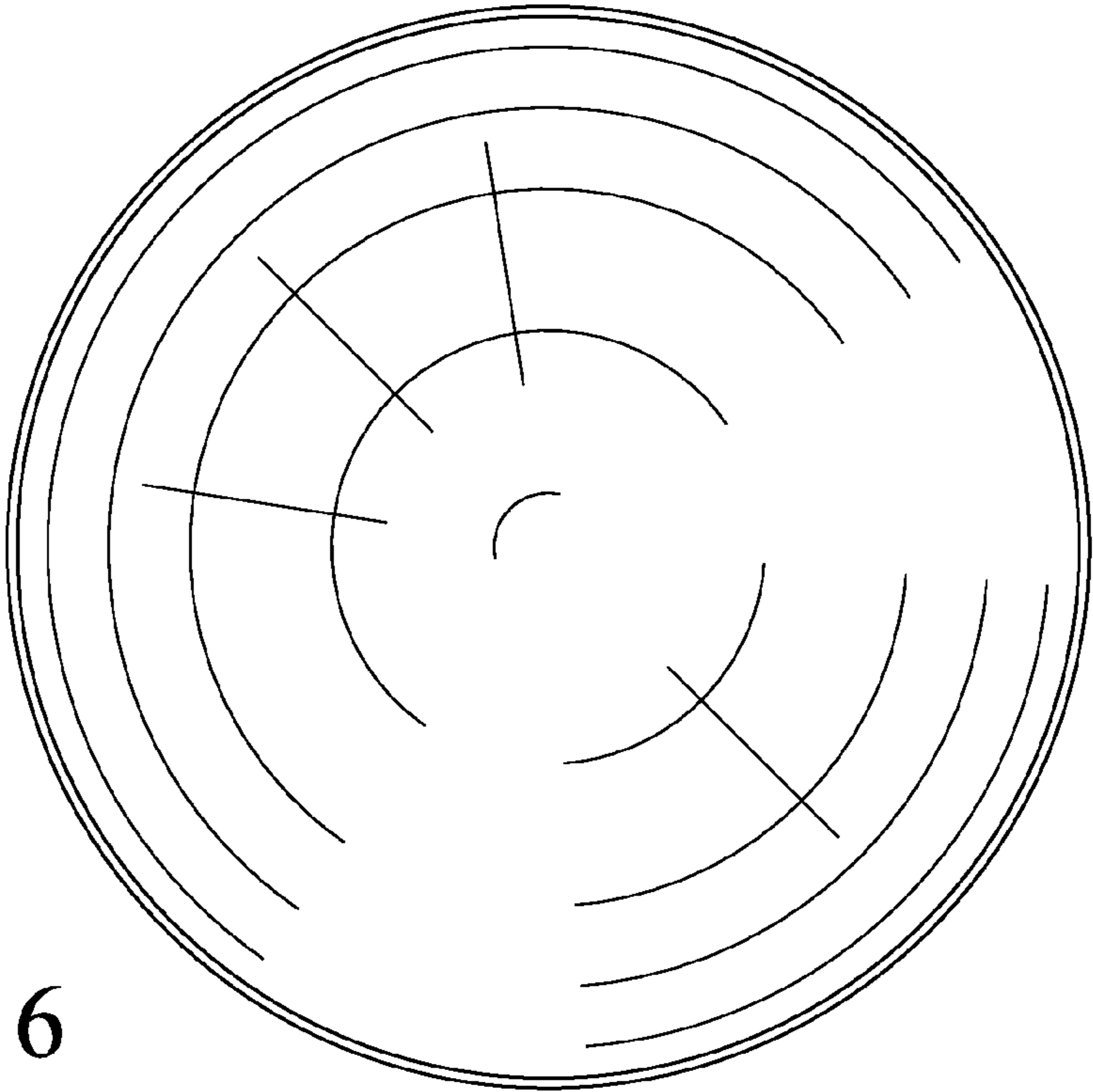


FIG. 6

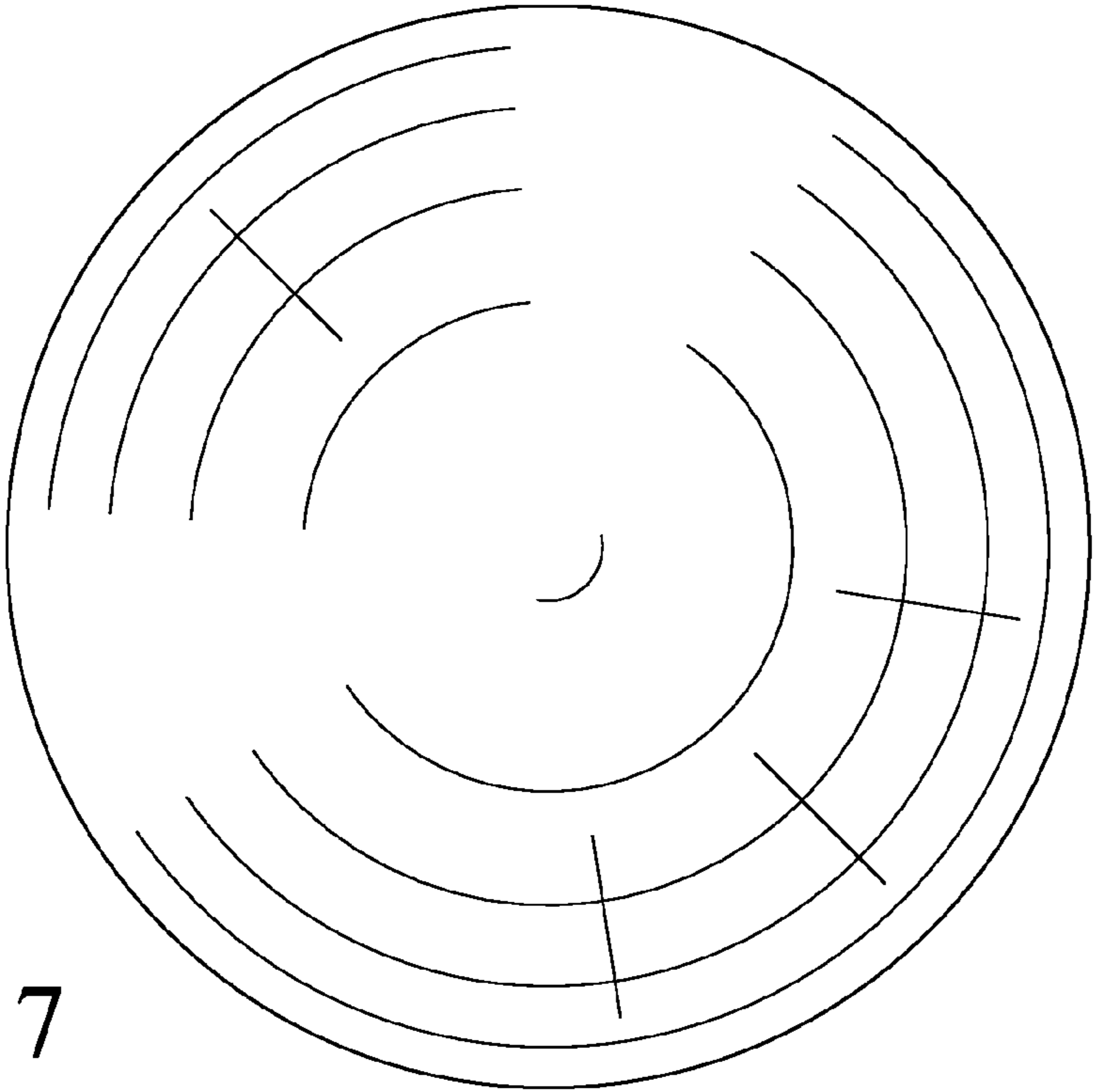


FIG. 7

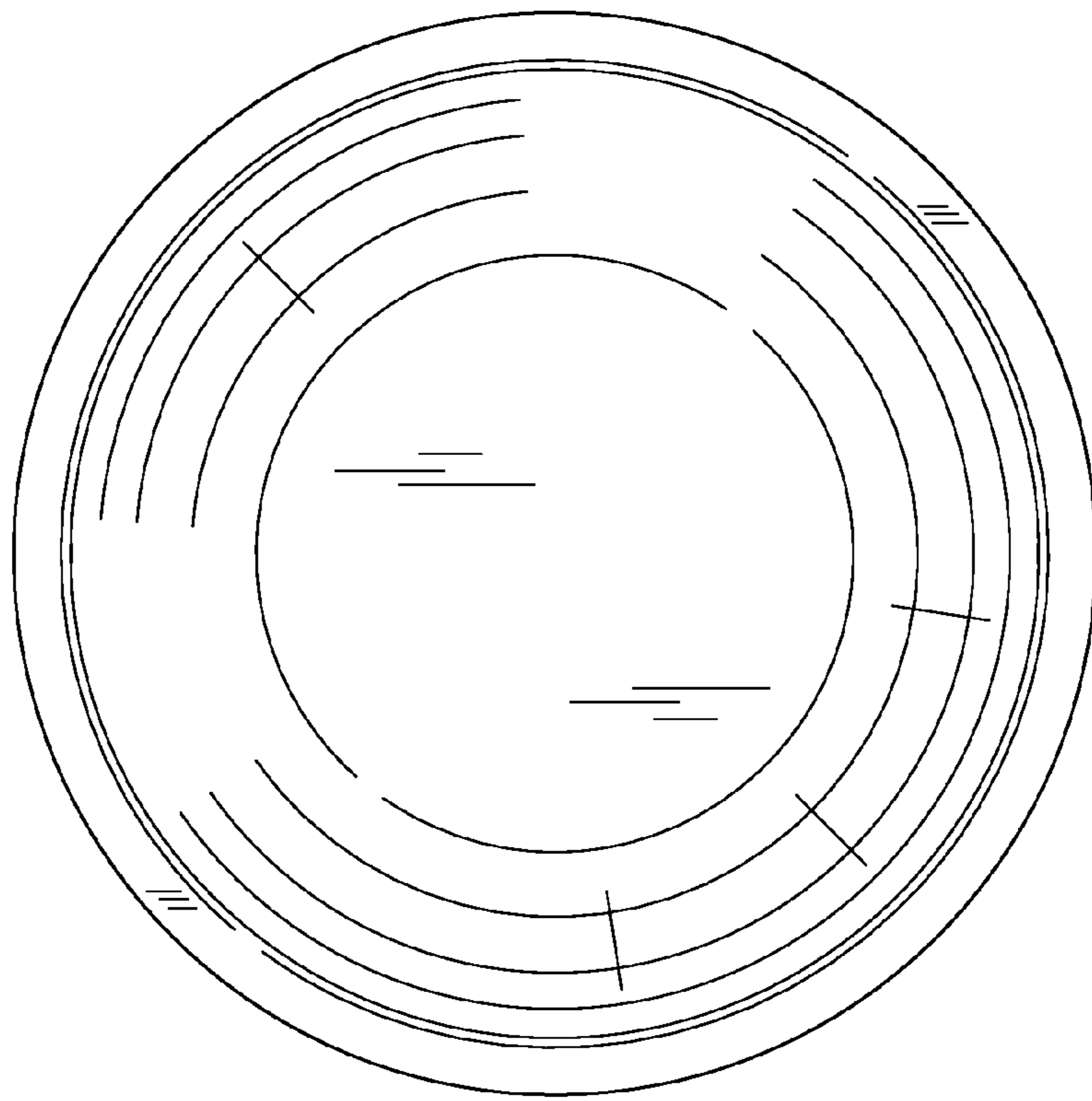


FIG. 8

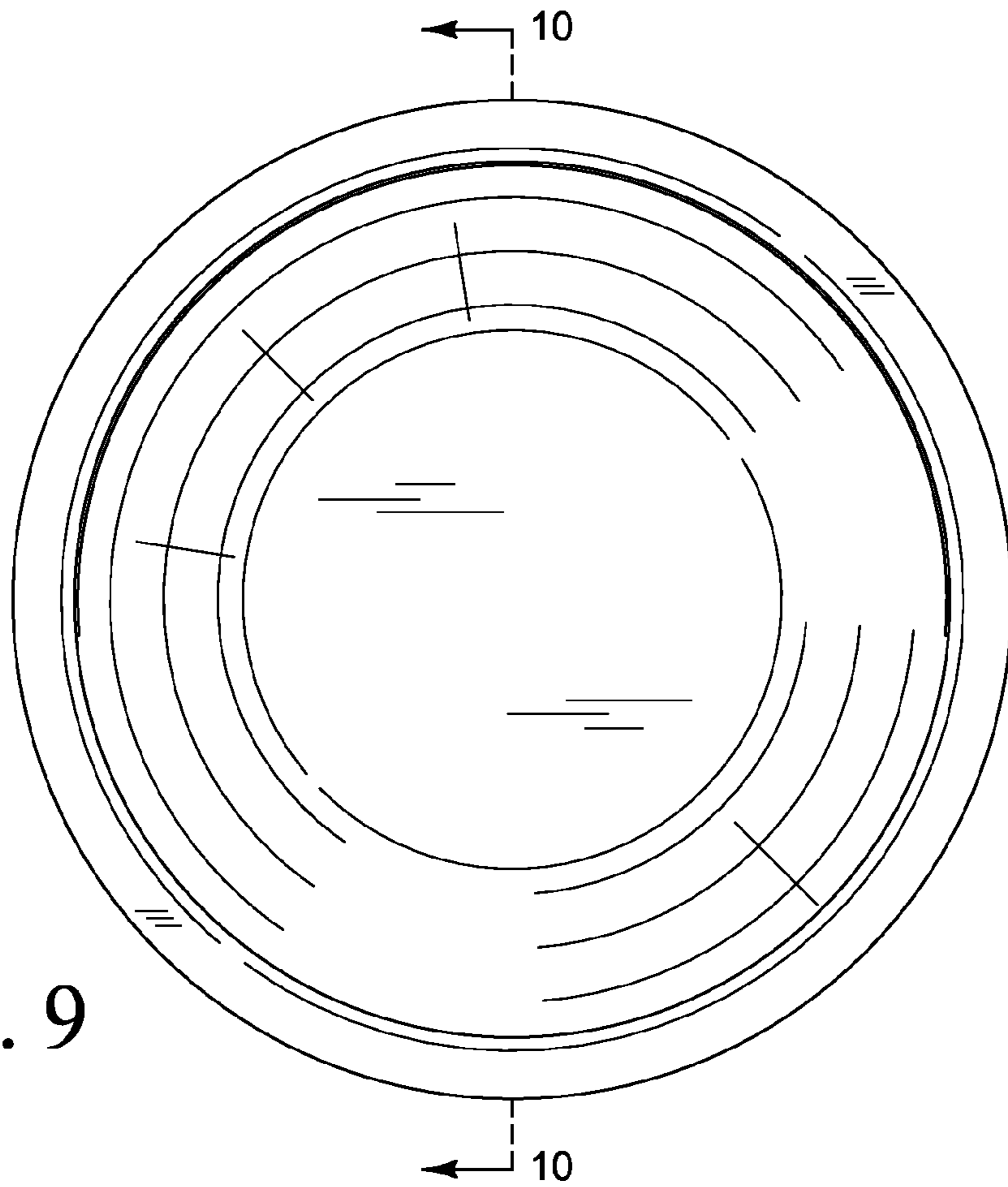


FIG. 9

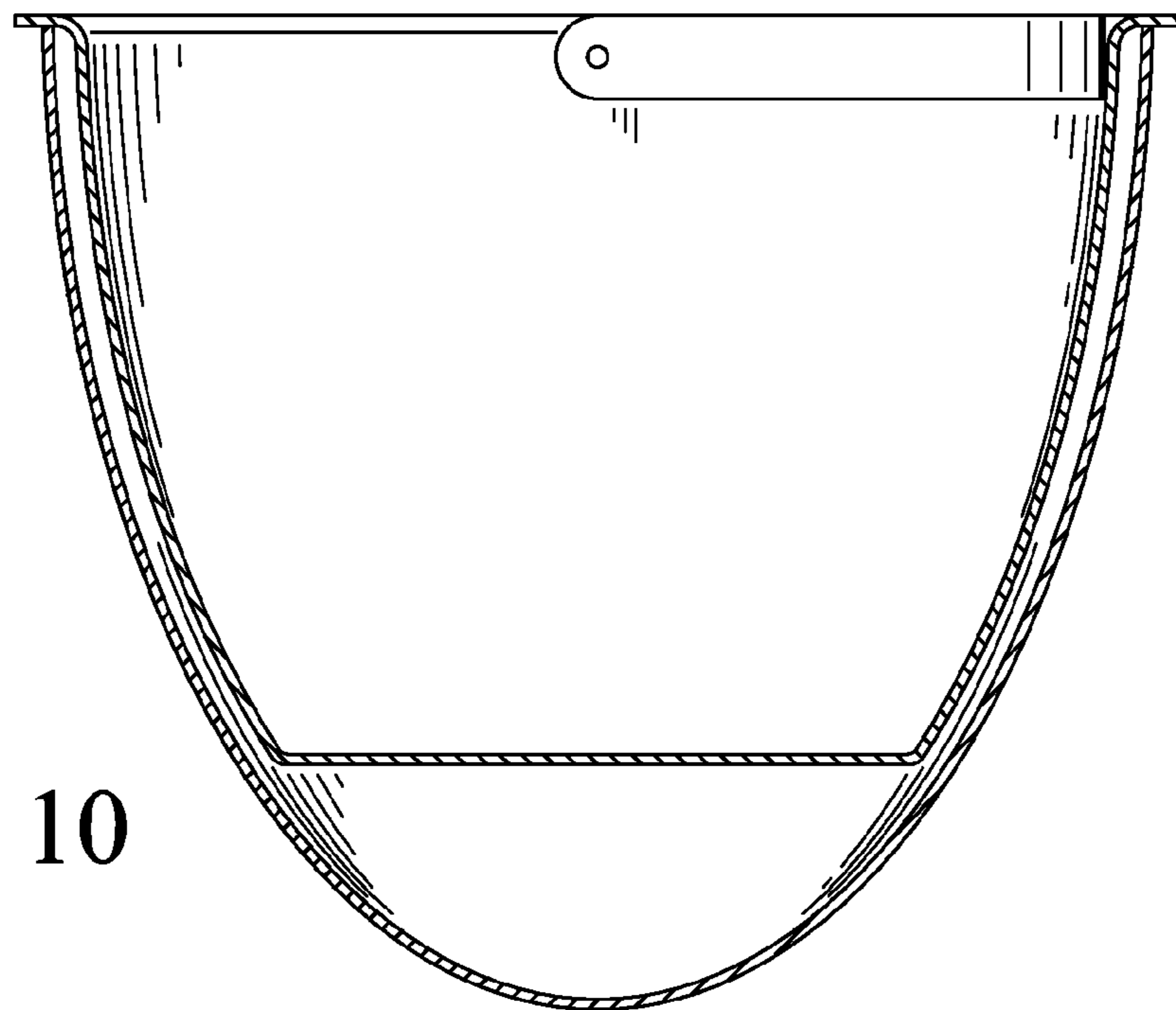


FIG. 10