



US00D657162S

(12) **United States Design Patent**
Combs et al.

(10) **Patent No.:** **US D657,162 S**
(45) **Date of Patent:** **** *Apr. 10, 2012**

(54) **CABINET FOR A CERAMIC COOKER**

(76) Inventors: **Joshua B. Combs**, Tulsa, OK (US);
Hayden Davis, Tulsa, OK (US); **Arthur**
H. McElroy, II, Tulsa, OK (US); **James**
R. Perrault, Tulsa, OK (US); **Dave**
Hughes, Tulsa, OK (US); **Wilianto**
Wongso, Broken Arrow, OK (US)

(*) Notice: This patent is subject to a terminal disclaimer.

(**) Term: **14 Years**

(21) Appl. No.: **29/358,768**

(22) Filed: **Mar. 31, 2010**

(51) **LOC (9) Cl.** **06-06**

(52) **U.S. Cl.** **D6/436**

(58) **Field of Classification Search** D6/432,
D6/436, 445-446, 448; D34/12, 17, 19-21;
312/117, 129, 140.4, 236, 249.8, 277; 280/79.11,
280/47.34

See application file for complete search history.

(56) **References Cited**

U.S. PATENT DOCUMENTS

4,008,931	A *	2/1977	Kennedy et al.	312/111
D283,263	S *	4/1986	Richey	D34/19
D349,988	S *	8/1994	Green	D34/21
D439,109	S *	3/2001	Pai	D7/402
D444,930	S *	7/2001	Brown	D34/19
6,264,219	B1 *	7/2001	Smith	280/79.11
D463,646	S *	9/2002	Pai	D34/19
D476,189	S *	6/2003	Bossler	D7/334
D493,593	S *	7/2004	Anderson	D34/14
D523,607	S *	6/2006	Huguet	D34/21
7,144,020	B2 *	12/2006	Huguet	280/47.34

D541,558	S *	5/2007	Meyer et al.	D6/477
D546,017	S *	7/2007	Wise	D34/19
7,296,808	B2 *	11/2007	Huguet	280/47.34
D570,883	S *	6/2008	Ikeda	D15/85
D584,821	S *	1/2009	Lambalot	D24/185
D588,773	S *	3/2009	Cona et al.	D34/20
D591,021	S *	4/2009	Peacock	D34/17
D598,622	S *	8/2009	Wise	D34/19
D604,959	S *	12/2009	Good	D6/436
D608,071	S *	1/2010	Presnell	D34/21
D615,208	S *	5/2010	Keffeler et al.	D24/185
D620,120	S *	7/2010	Lambalot	D24/185
7,784,887	B2 *	8/2010	Grela et al.	312/218
D634,409	S *	3/2011	Palomba et al.	D23/284
D636,615	S *	4/2011	Grela	D6/400

* cited by examiner

Primary Examiner — Kelley Donnelly

(74) *Attorney, Agent, or Firm* — Gable Gotwals

(57) **CLAIM**

The ornamental design for a cabinet for a ceramic cooker, as shown and described.

DESCRIPTION

FIG. 1 is a perspective view of the cabinet for a ceramic cooker showing our new design with the door and drawer opened;

FIG. 2 is a front view showing the door and drawer in a closed position;

FIG. 3 is a right side view thereof;

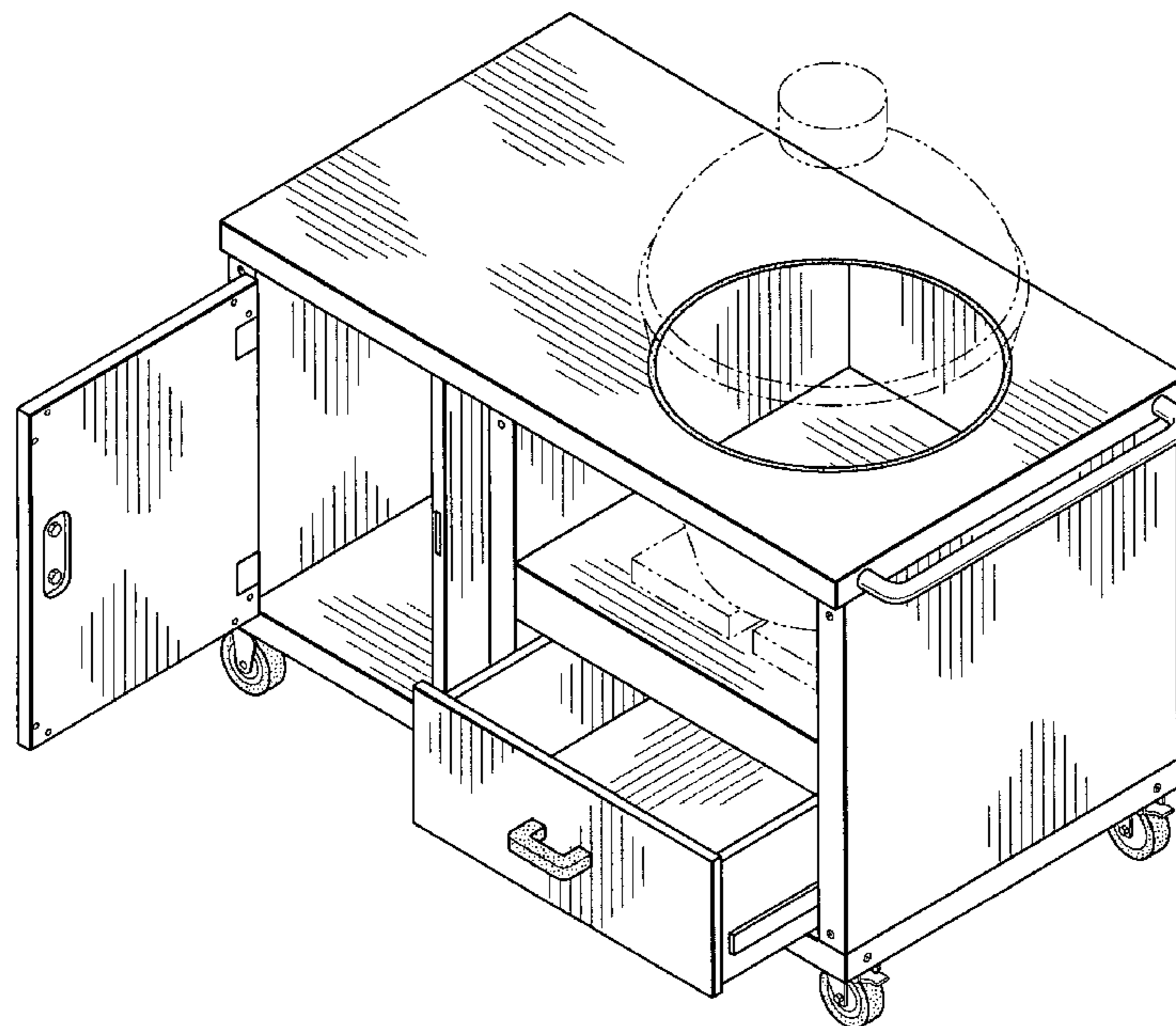
FIG. 4 is a left side view thereof;

FIG. 5 is a top plan view thereof; and,

FIG. 6 is a rear view thereof.

The broken lines showing in FIGS. 1-6 are included for the purpose of illustrating environment and form no part of the claimed design.

1 Claim, 5 Drawing Sheets



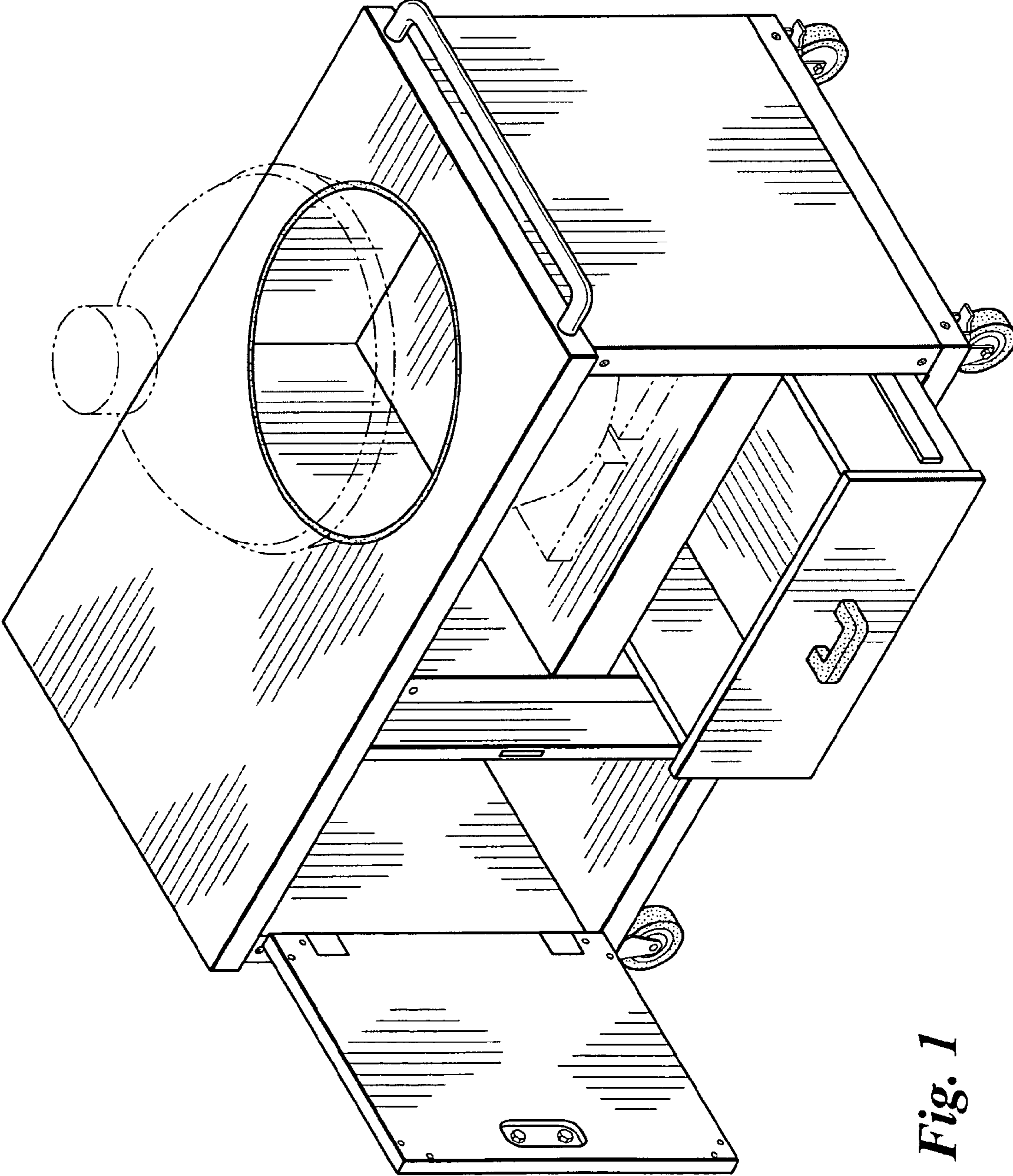


Fig. 1

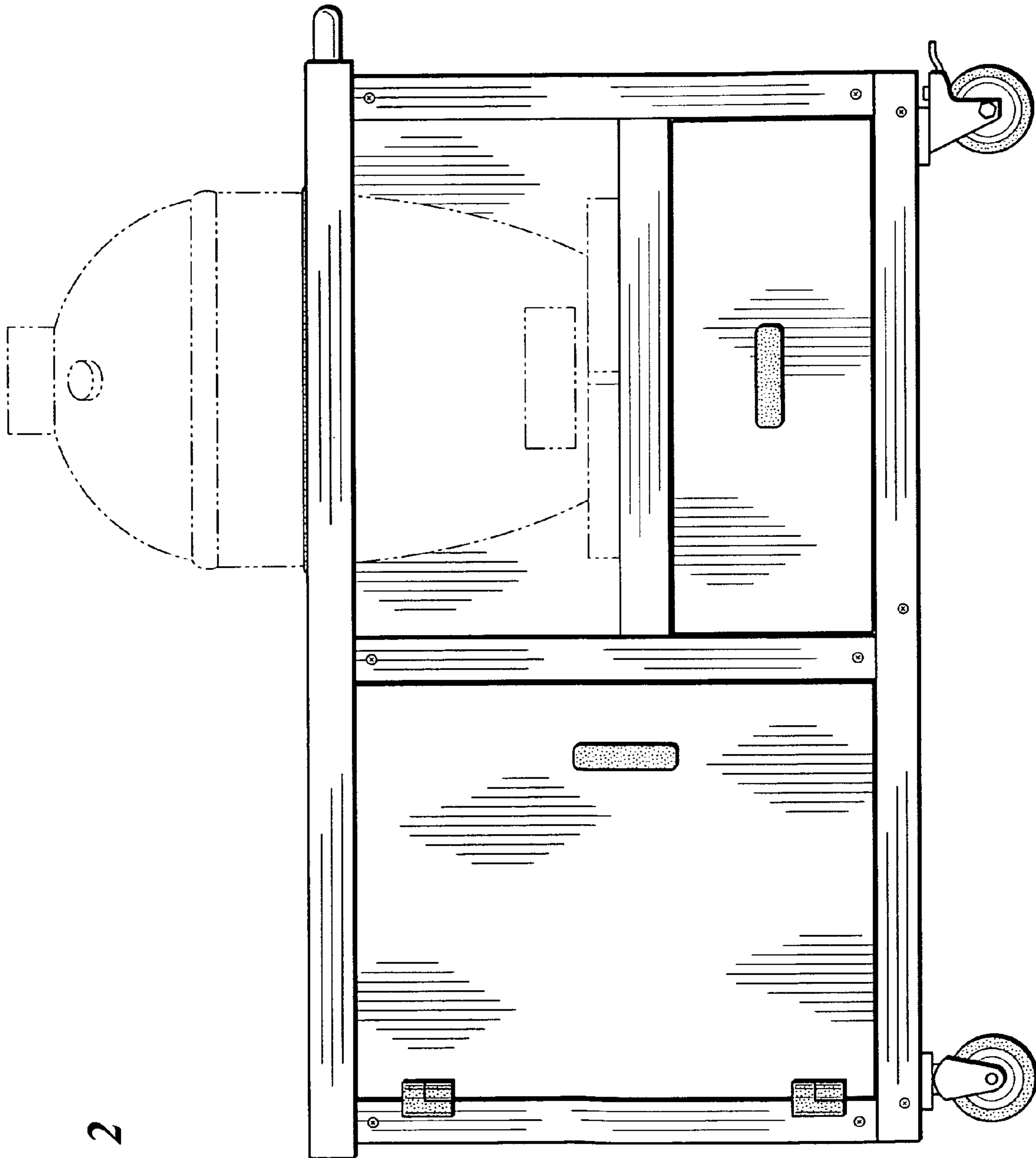


Fig. 2

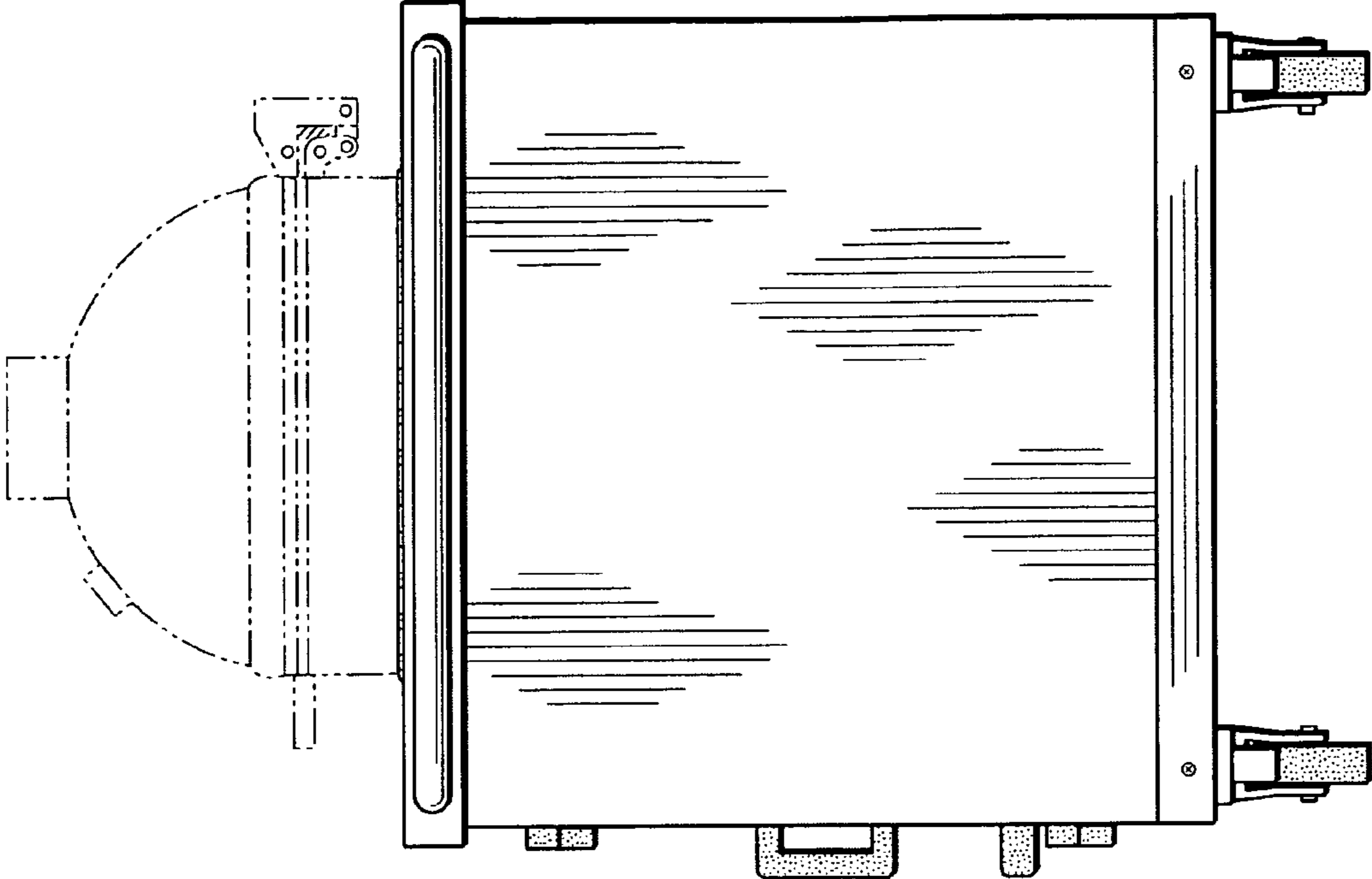


Fig. 3

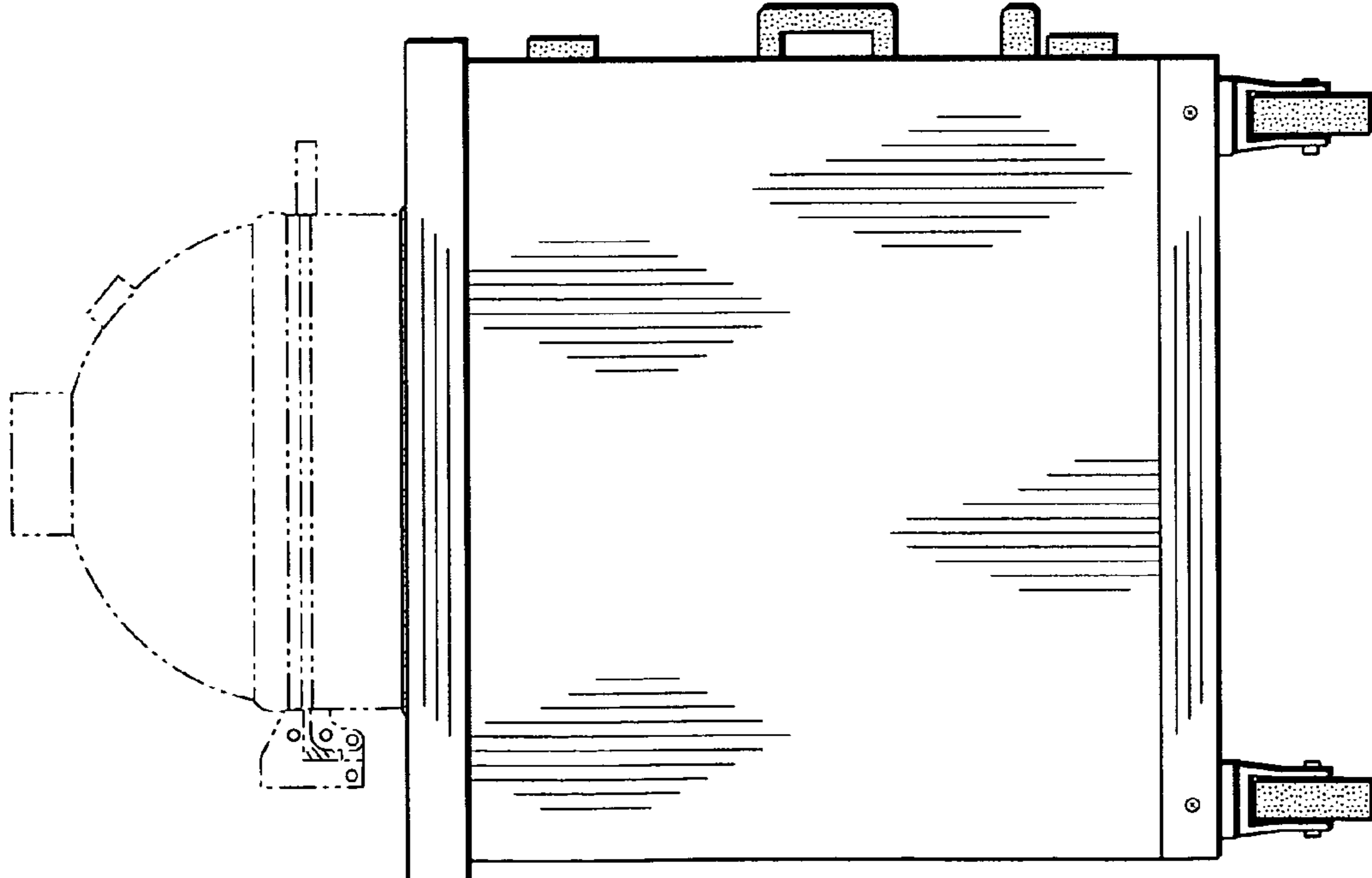


Fig. 4

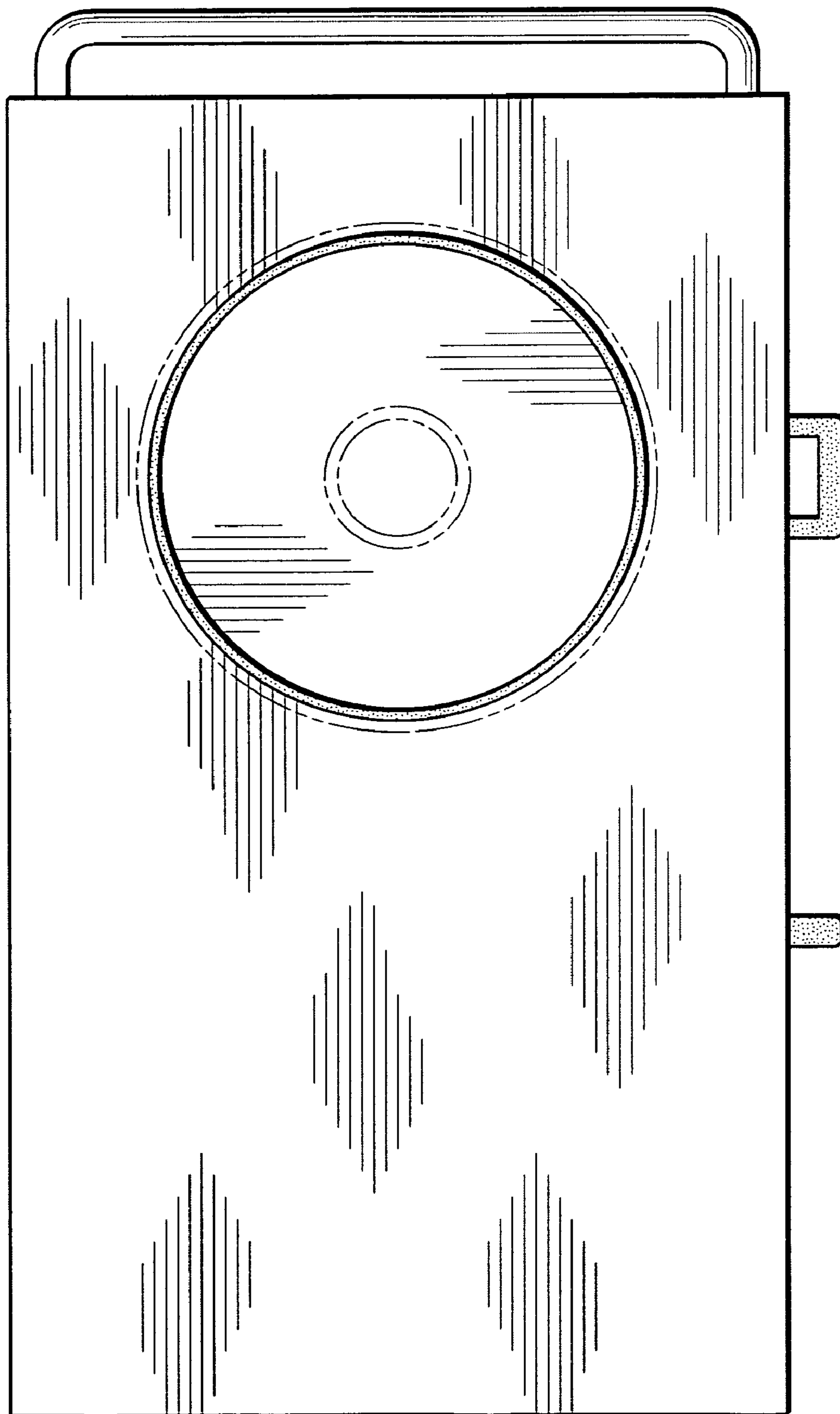


Fig. 5

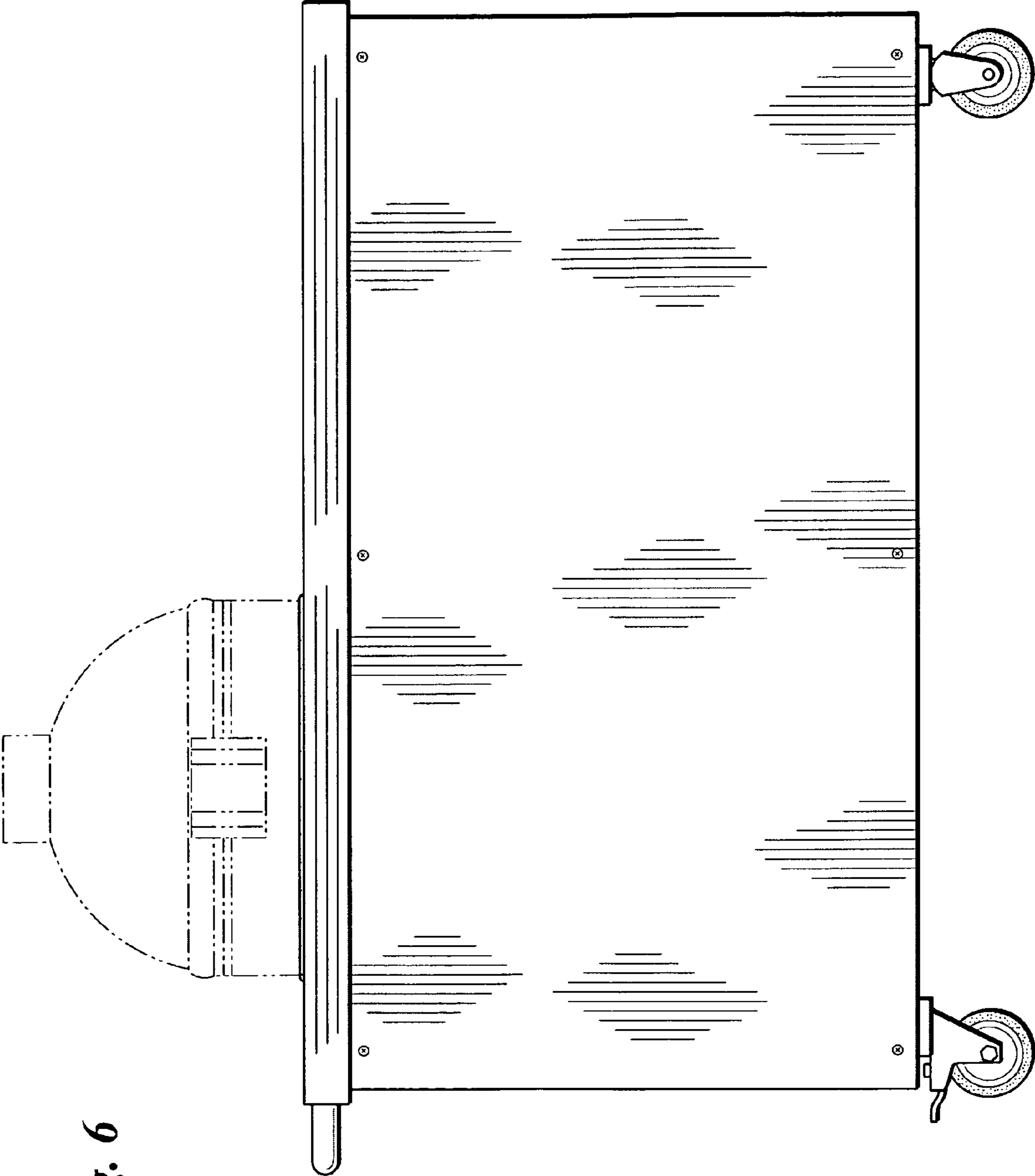


Fig. 6