



US00D657158S

(12) **United States Design Patent**
McCarty et al.

(10) **Patent No.:** **US D657,158 S**

(45) **Date of Patent:** **** Apr. 10, 2012**

- (54) **ADJUSTABLE ELECTRICAL BED**
- (75) Inventors: **Philip Woods McCarty**, Natick, MA (US); **Philip Reid Sherman**, Melville, NY (US); **Chuan-Hang Shih**, Changhua County (TW)
- (73) Assignees: **Ruoey Lung Enterprise Corp.**, Chang-Pin Industrial Park, Lu-Kang Town, Changhua County (TW); **PPJ. LLC**, Natick, MA (US)

5,926,877	A *	7/1999	Lin	5/618
5,953,778	A *	9/1999	Hiatt	5/716
2004/0074002	A1 *	4/2004	Bannister	5/613
2004/0187213	A1 *	9/2004	Wang	5/618
2008/0120777	A1 *	5/2008	Rawls-Meehan	5/600
2010/0186168	A1 *	7/2010	Harrison	5/616
2010/0287704	A1 *	11/2010	Hibler	5/613

* cited by examiner

Primary Examiner — Janice Seeger

(**) Term: **14 Years**

(21) Appl. No.: **29/405,868**

(22) Filed: **Nov. 8, 2011**

(51) **LOC (9) Cl.** **06-02**

(52) **U.S. Cl.** **D6/392; D6/361; D6/595**

(58) **Field of Classification Search** D6/595, D6/596, 601, 605, 382-384, 392, 361; 5/600, 5/607, 613, 616, 618, 620, 149, 420, 722
See application file for complete search history.

(56) **References Cited**

U.S. PATENT DOCUMENTS

D255,402	S *	6/1980	Lundgren	D6/382
D271,729	S *	12/1983	Dodrill	D6/392

(57) **CLAIM**

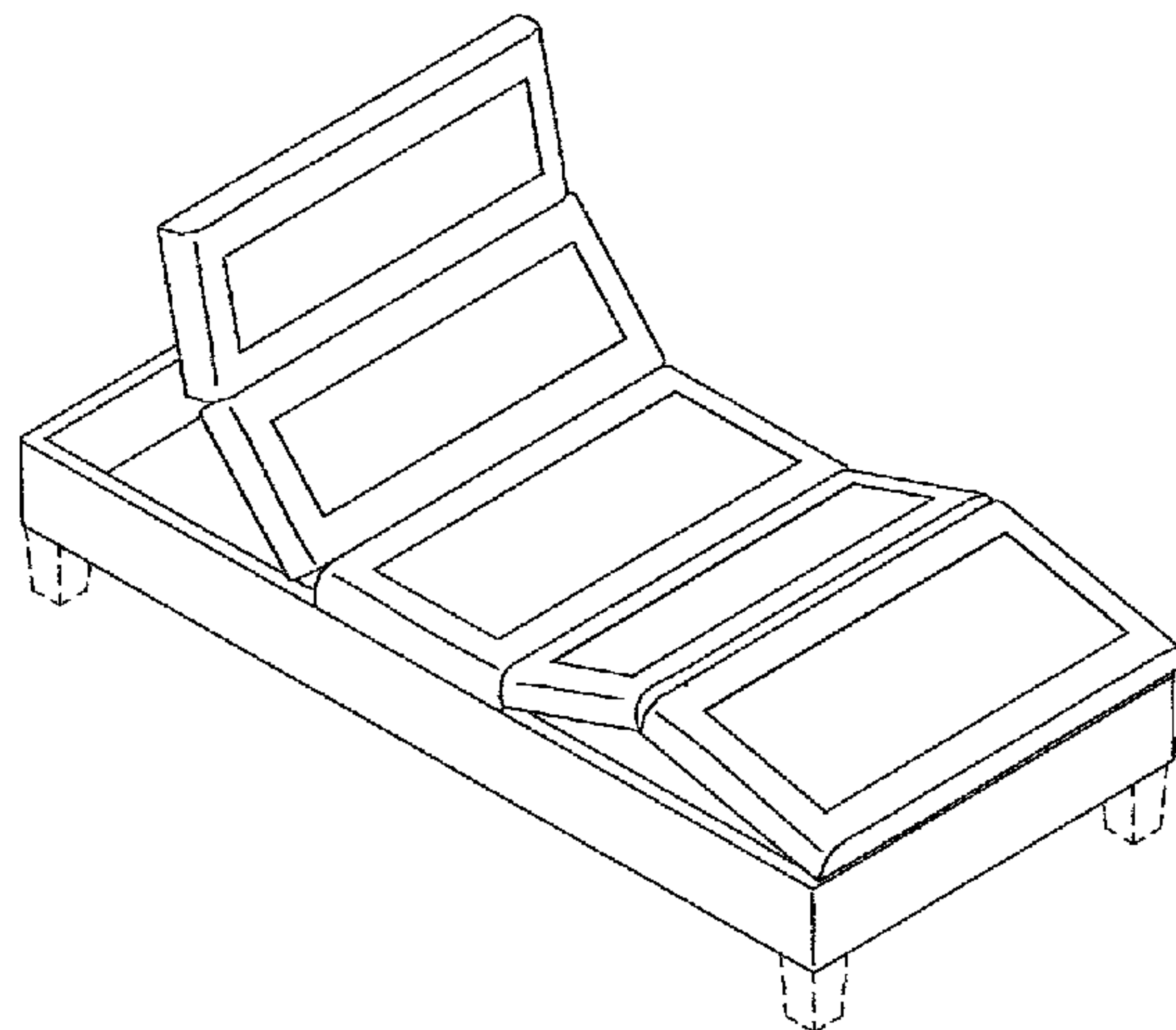
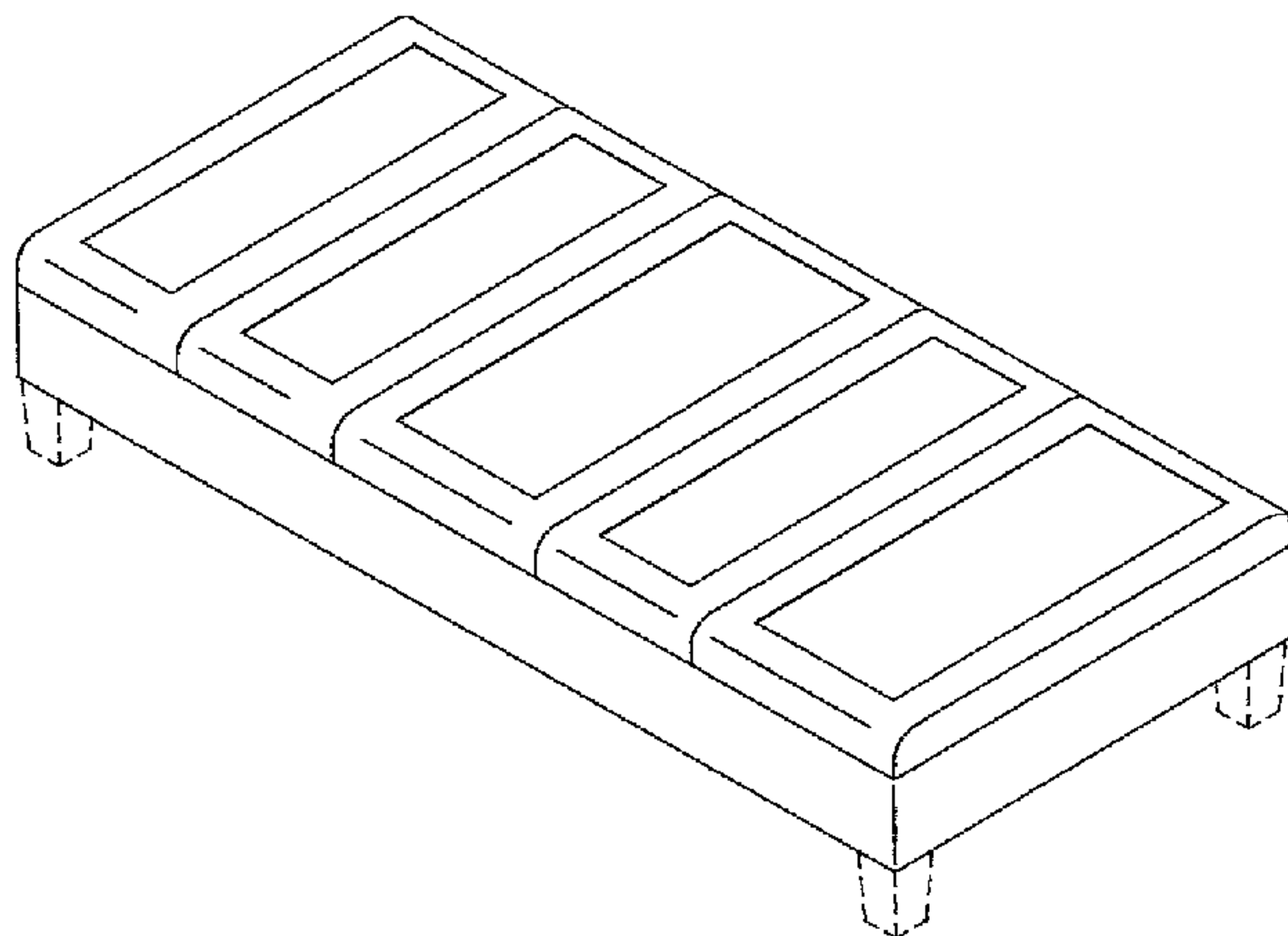
The ornamental design for an adjustable electrical bed, as shown and described.

DESCRIPTION

FIG. 1 shows a perspective view of the present design. FIG. 2 shows a top view of the present design. FIG. 3 shows a front view of the present design. FIG. 4 shows a right view of the present design; and, FIG. 5 is a perspective view showing the bed in a folded condition.

The broken lines showing of structural feature is indeed for the purpose of illustrating non-claimed subject matter and forms no part of the claimed design.

1 Claim, 5 Drawing Sheets



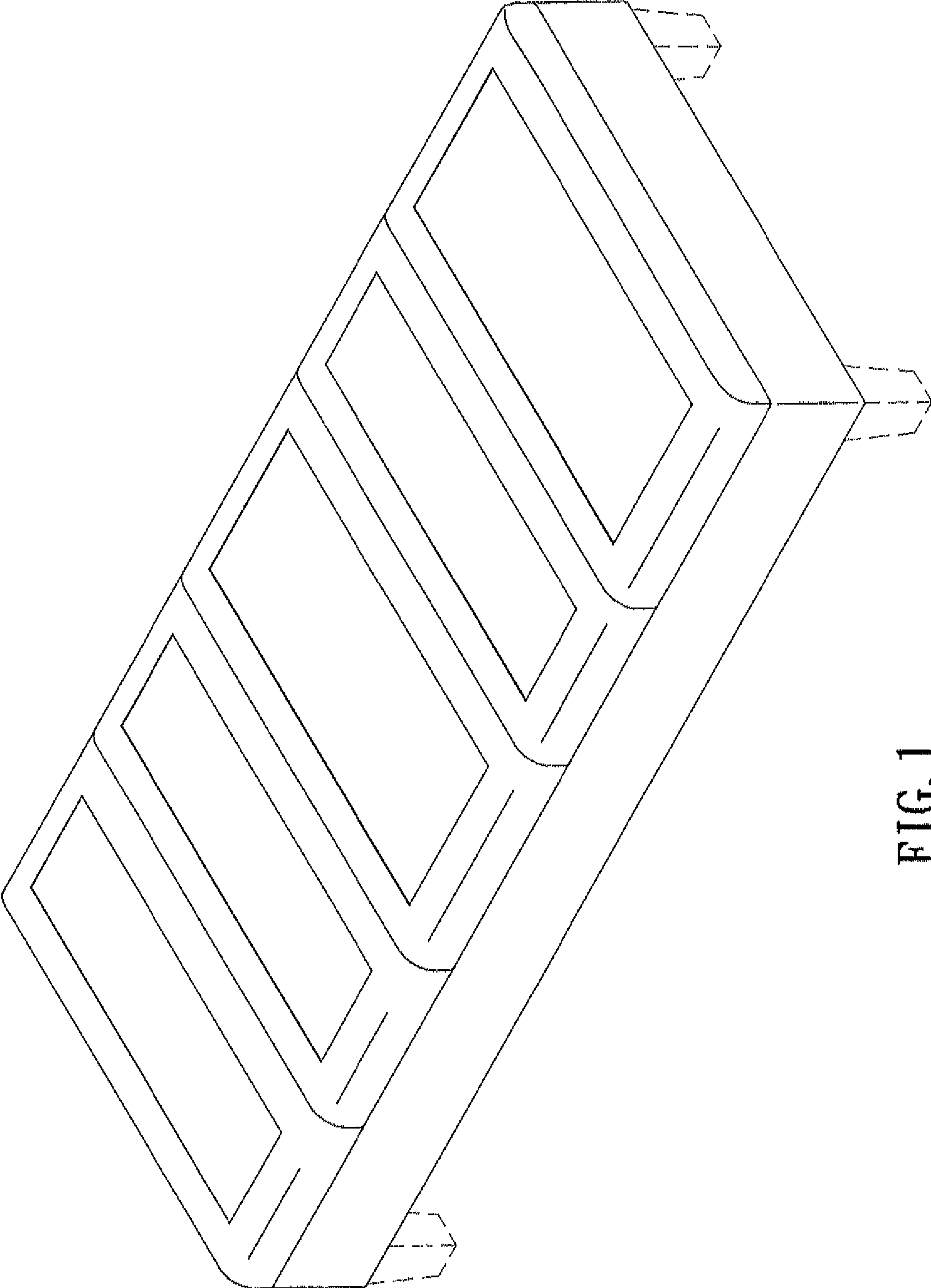


FIG. 1

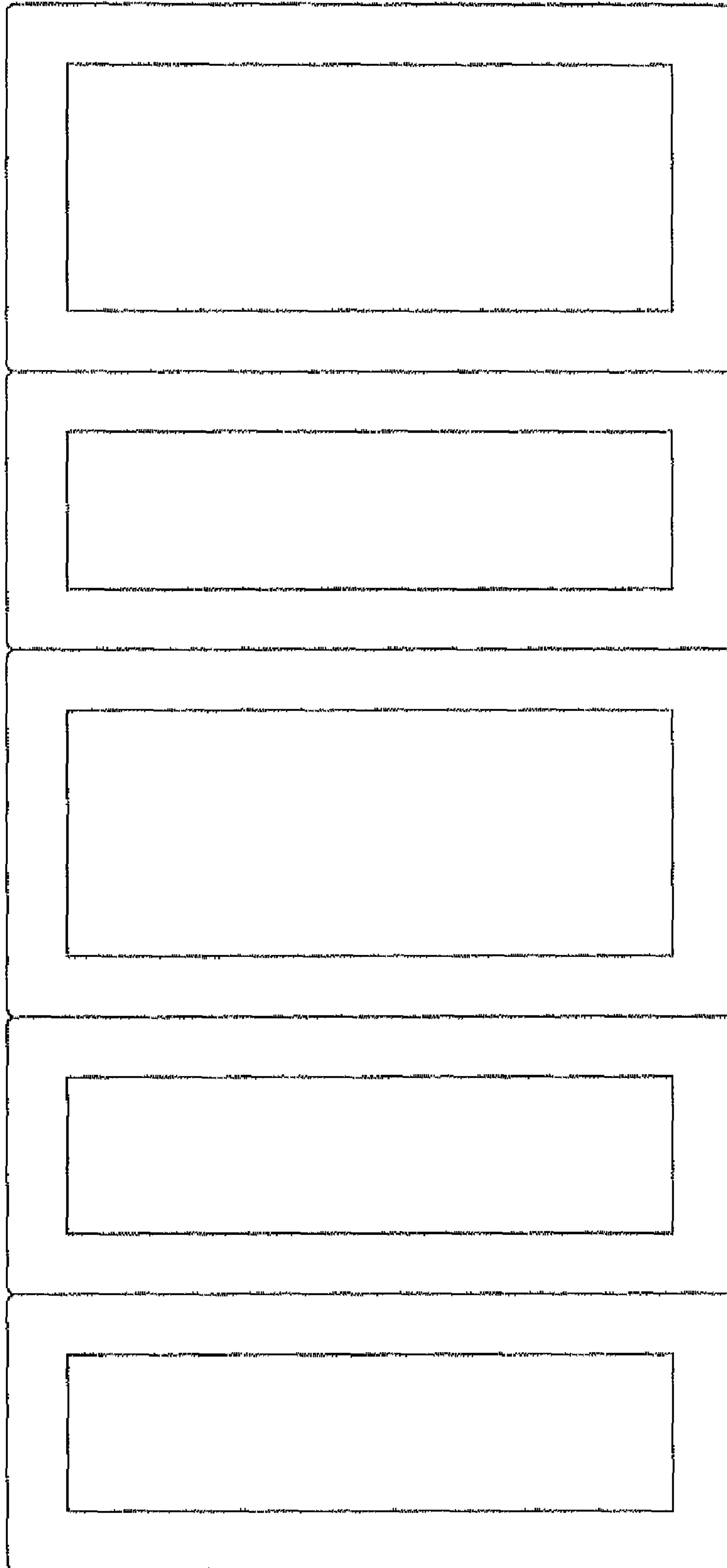


FIG. 2

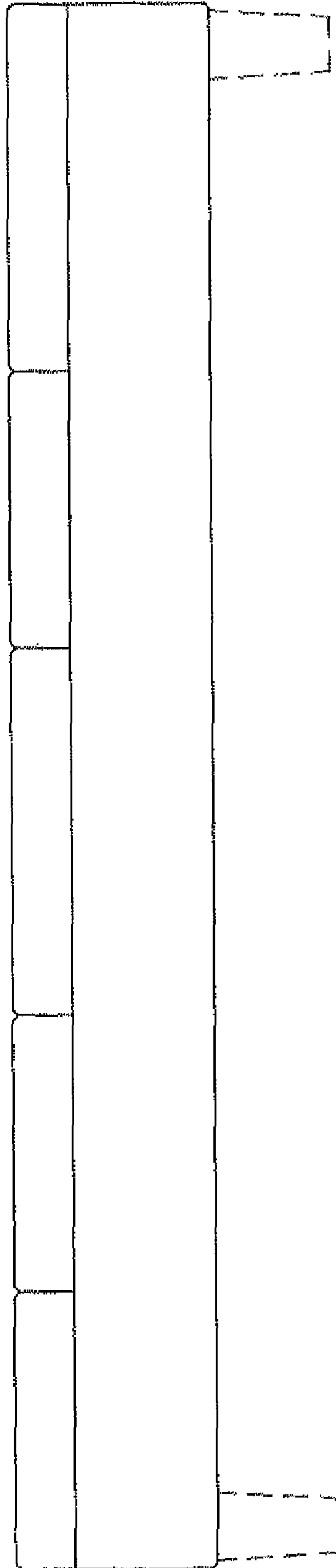


FIG. 3

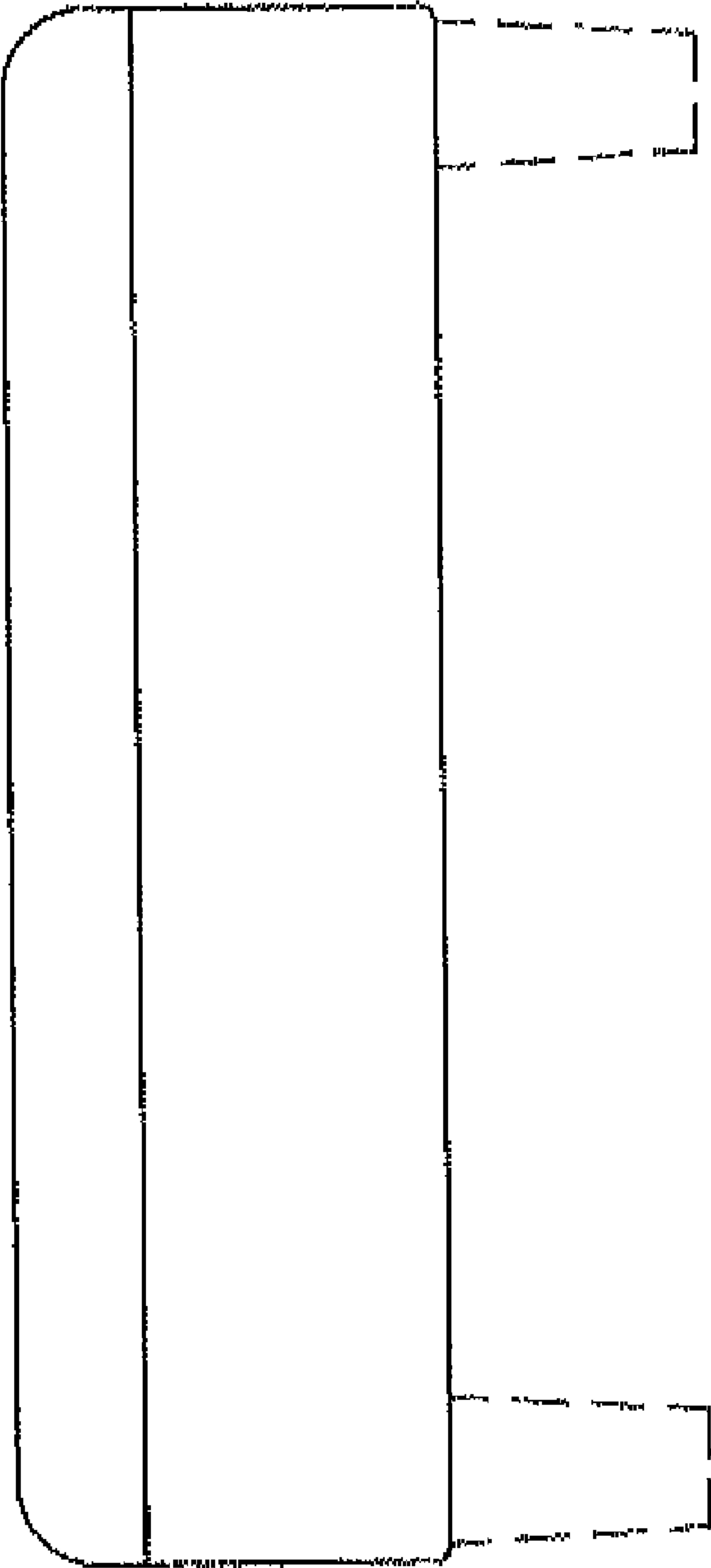


FIG. 4

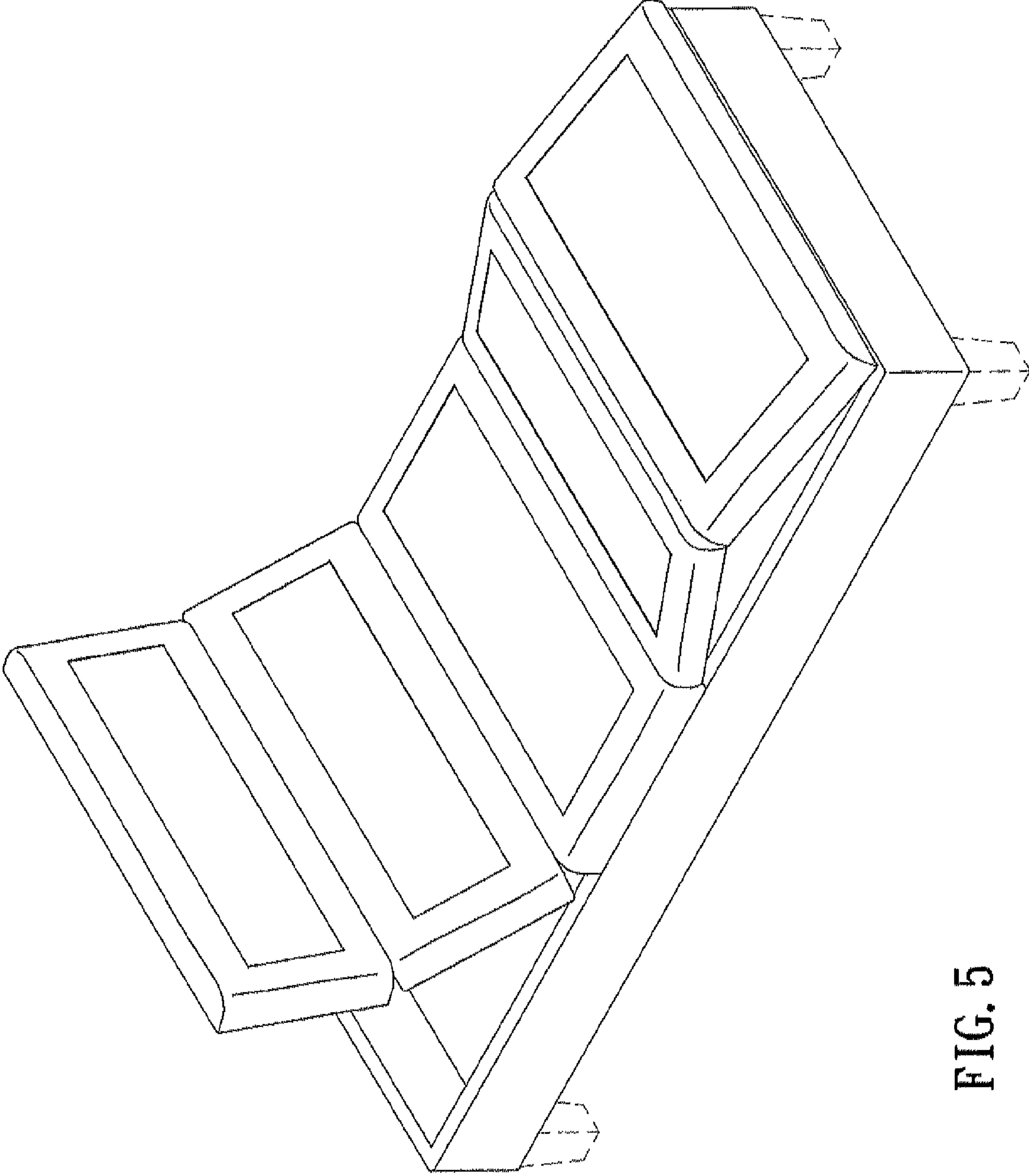


FIG. 5