



US00D657152S

(12) **United States Design Patent**
Lievore et al.

(10) **Patent No.:** **US D657,152 S**
(45) **Date of Patent:** **** Apr. 10, 2012**

(54) **SEAT**

(75) Inventors: **Alberto Lievore**, Barcelona (ES);
Jean-Marie Massaud, Paris (FR);
Simon Pengelly, London (GB)

(73) Assignee: **Arper S.p.A.**, Monastier DiTreviso (IT)

(**) Term: **14 Years**

(21) Appl. No.: **29/392,318**

(22) Filed: **May 19, 2011**

Related U.S. Application Data

(62) Division of application No. 29/267,565, filed on Oct. 17, 2006, now Pat. No. Des. 638,231.

Foreign Application Priority Data

Apr. 21, 2006 (EM) 517206

(51) **LOC (9) Cl.** **06-01**

(52) **U.S. Cl.** **D6/366**

(58) **Field of Classification Search** D6/334-336,
D6/364, 365, 366, 371-373, 374, 375, 376,
D6/379, 380, 498, 500-502; 297/445.1,
297/446.1, 452.12, 452.14, 452.21, 452.29,
297/452.32, 452.35, 452.48

See application file for complete search history.

(56) **References Cited**

U.S. PATENT DOCUMENTS

D584,521 S *	1/2009	Massaud	D6/366
D584,901 S *	1/2009	Massaud	D6/366
D585,656 S *	2/2009	Massaud	D6/366
D585,657 S *	2/2009	Massaud	D6/366
D586,137 S *	2/2009	Massaud	D6/366
D611,263 S *	3/2010	Werner	D6/366

* cited by examiner

Primary Examiner — Mimoso De

(74) *Attorney, Agent, or Firm* — Scully, Scott, Murphy & Presser, P.C.

(57) **CLAIM**

The ornamental design for “seat”, as shown and described.

DESCRIPTION

FIG. 1 is a perspective view of the seat, showing our new and ornamental design;

FIG. 2 is a front view thereof;

FIG. 3 is a rear view thereof;

FIG. 4 is a plan view from above thereof;

FIG. 5 is a plan view from below thereof;

FIG. 6 is a left side view thereof; and,

FIG. 7 is a right side view thereof.

The broken lines shown in the drawing are for illustrative purposes only and form no part of the claimed design.

1 Claim, 7 Drawing Sheets

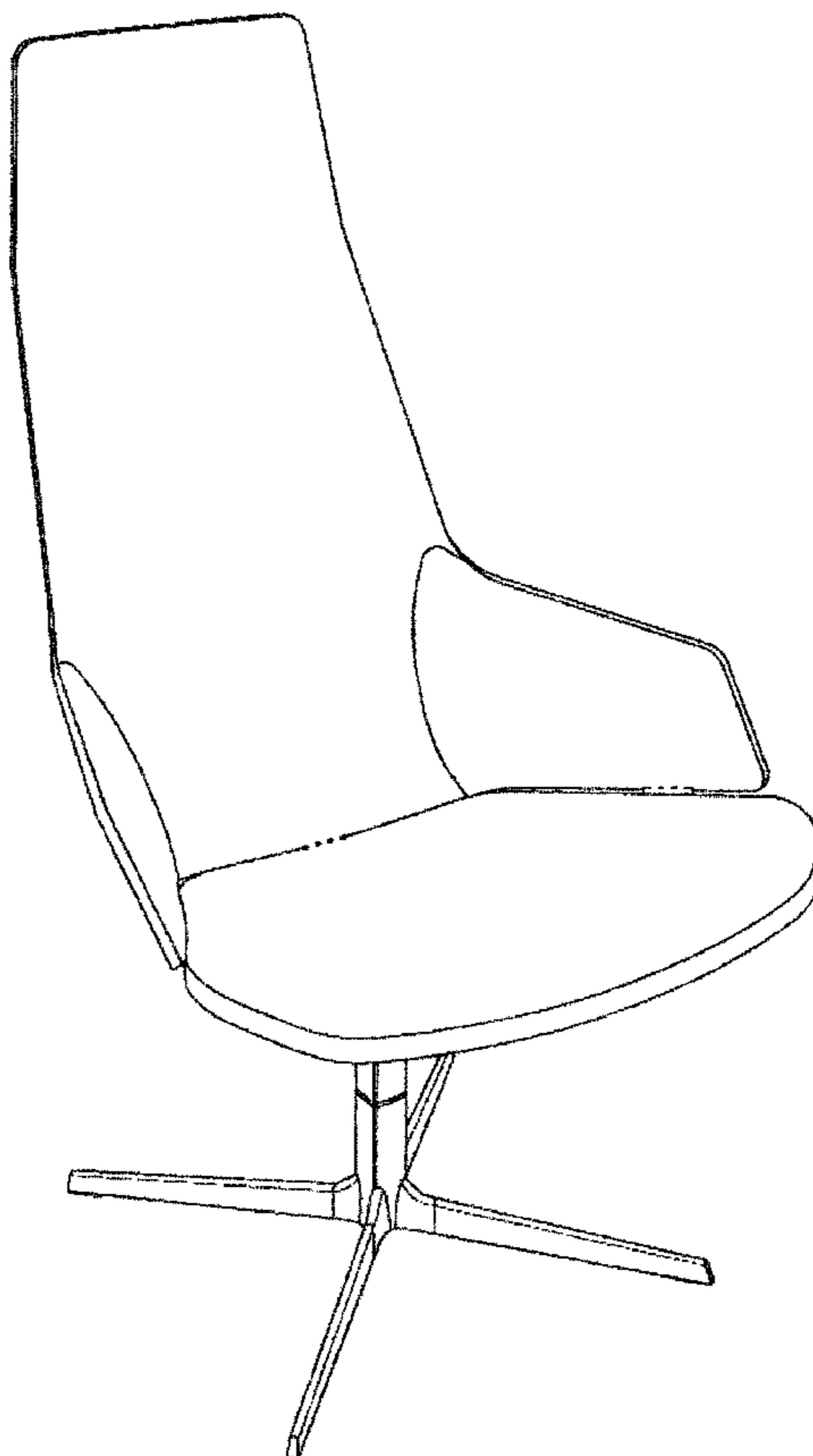




Fig. 1

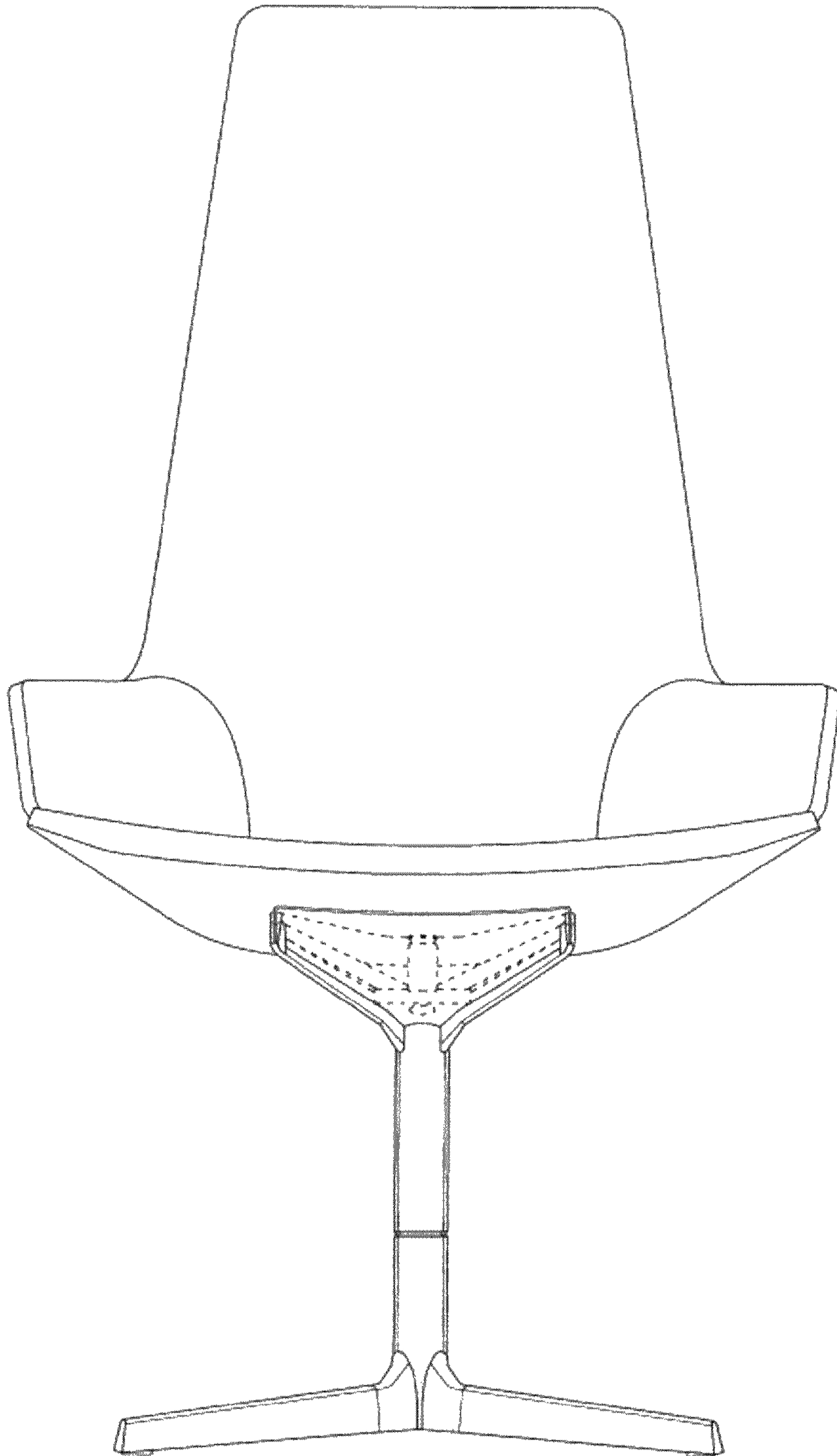


Fig. 2

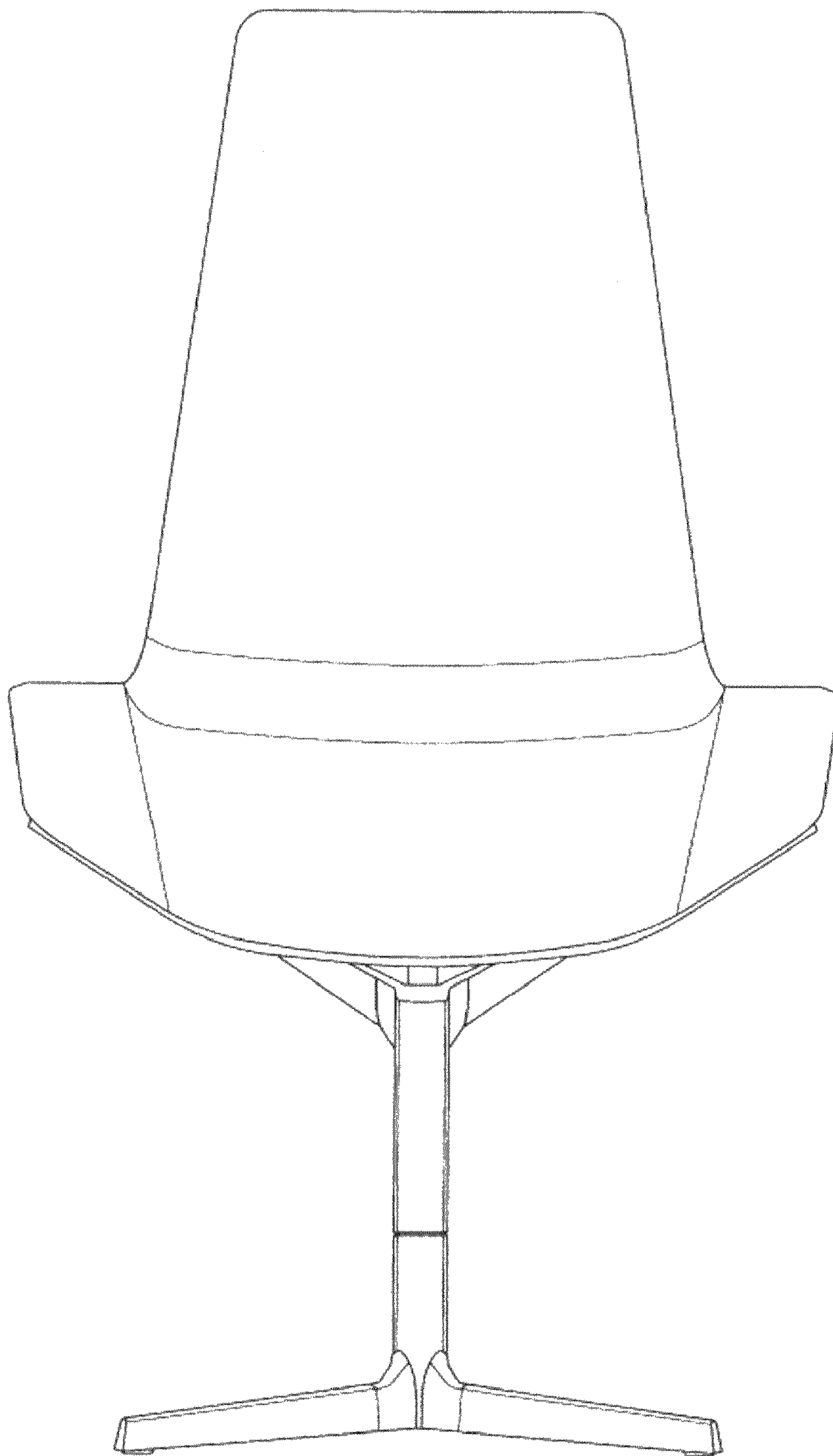


Fig. 3

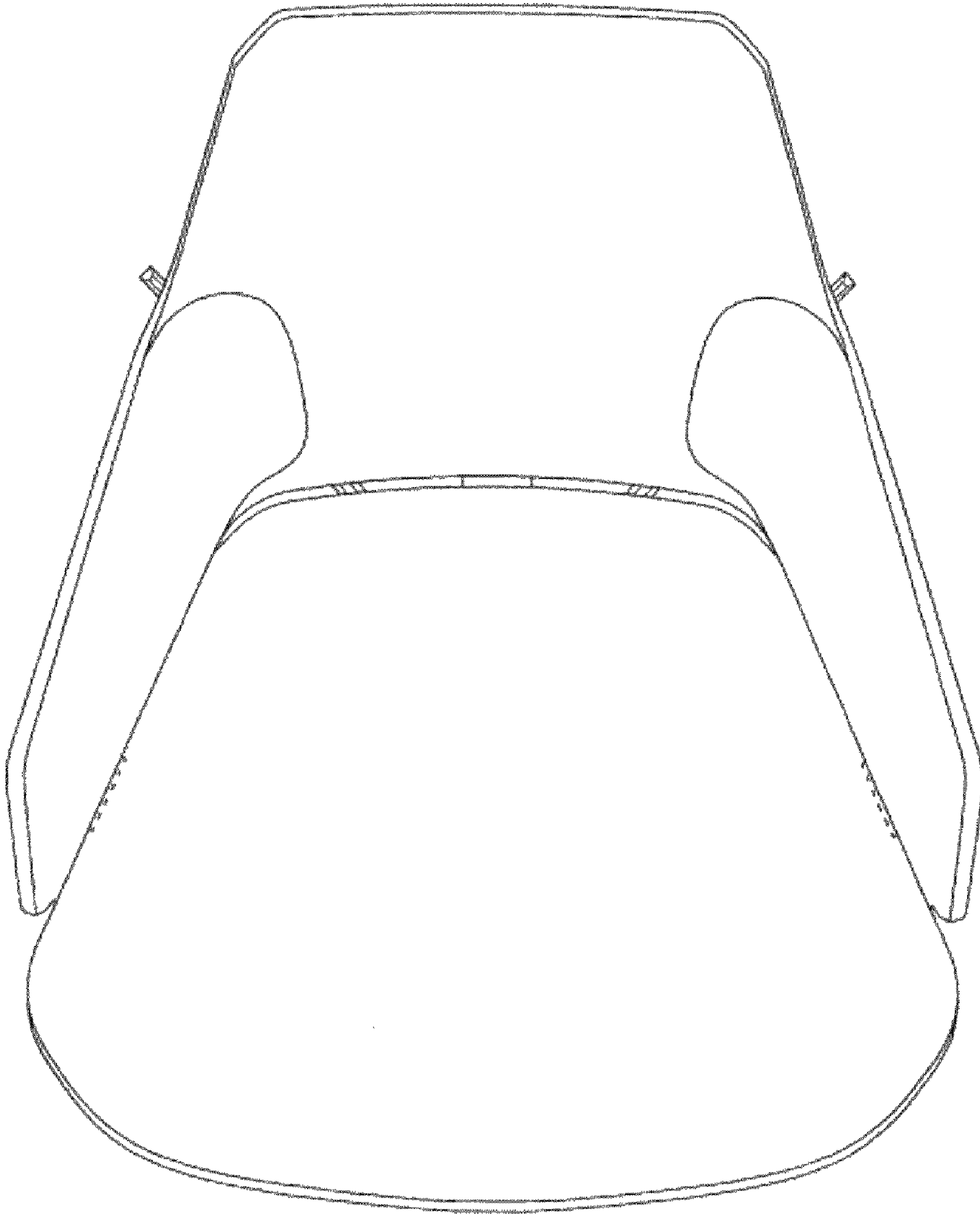


Fig. 4

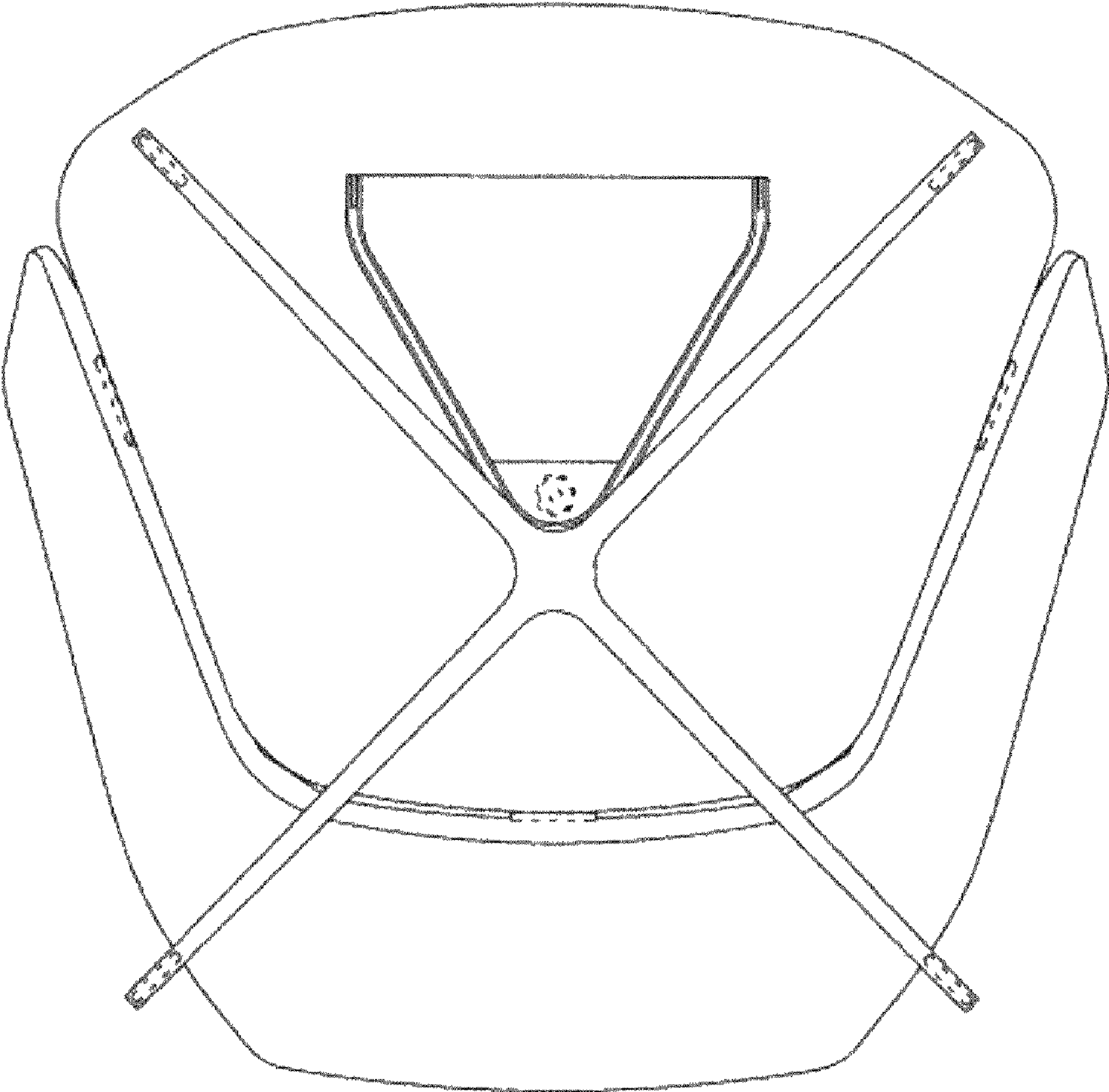


Fig. 5



Fig. 6

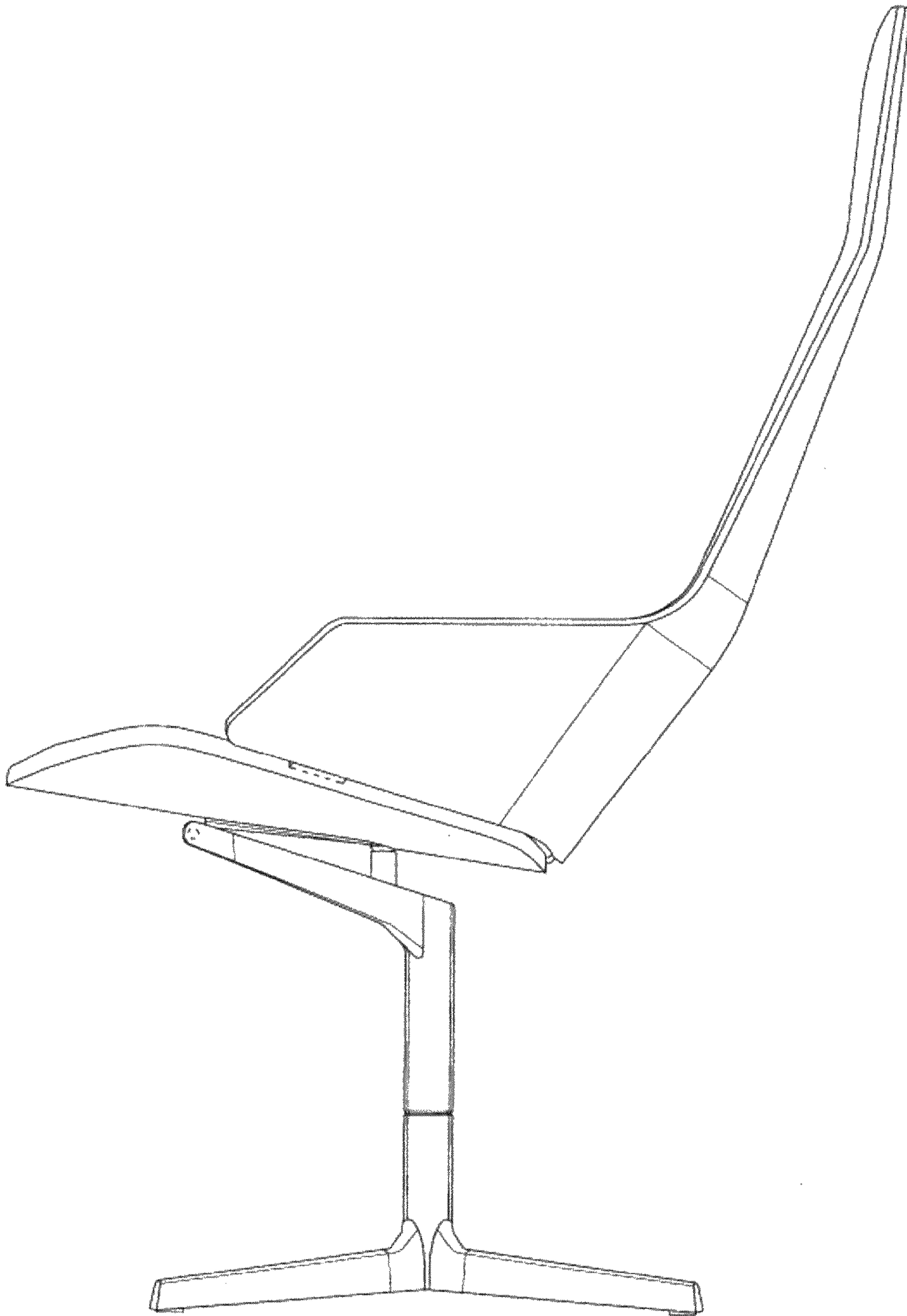


Fig. 7