

US00D657149S

(12) **United States Design Patent**  
**Lievore et al.**

(10) **Patent No.:** **US D657,149 S**  
(45) **Date of Patent:** **\*\* Apr. 10, 2012**

(54) **SEAT**

(75) Inventors: **Alberto Lievore**, Barcelona (ES);  
**Jean-Marie Massaud**, Paris (FR);  
**Simon Pengelly**, London (GB)

(73) Assignee: **Arper S.p.A.**, Monastier DiTreviso (IT)

(\*\*) Term: **14 Years**

(21) Appl. No.: **29/392,323**

(22) Filed: **May 19, 2011**

**Related U.S. Application Data**

(62) Division of application No. 29/267,565, filed on Oct. 17, 2006, now Pat. No. Des. 638,231.

(30) **Foreign Application Priority Data**

Apr. 21, 2006 (EM) ..... 517206

(51) **LOC (9) Cl.** ..... **06-01**

(52) **U.S. Cl.** ..... **D6/360**

(58) **Field of Classification Search** ..... D6/334-336,  
D6/360, 364, 365, 374, 375, 376, 379, 380,  
D6/500-502; 297/344.12, 423.18, 423.25,  
297/451.4, 451.5, 452.12, 461

See application file for complete search history.

(56) **References Cited**

U.S. PATENT DOCUMENTS

|          |   |   |        |          |       |        |
|----------|---|---|--------|----------|-------|--------|
| D621,173 | S | * | 8/2010 | Li       | ..... | D6/360 |
| D621,631 | S | * | 8/2010 | Li       | ..... | D6/360 |
| D638,633 | S | * | 5/2011 | Du       | ..... | D6/360 |
| D639,082 | S | * | 6/2011 | Pengelly | ..... | D6/360 |

\* cited by examiner

*Primary Examiner* — Mimosa De

(74) *Attorney, Agent, or Firm* — Scully, Scott, Murphy & Presser, P.C.

(57) **CLAIM**

The ornamental design for “seat,” as shown and described.

**DESCRIPTION**

FIG. 1 is a perspective view of the seat, showing our new and ornamental design;

FIG. 2 is a front view thereof;

FIG. 3 is a rear view thereof;

FIG. 4 is a plan view from above thereof;

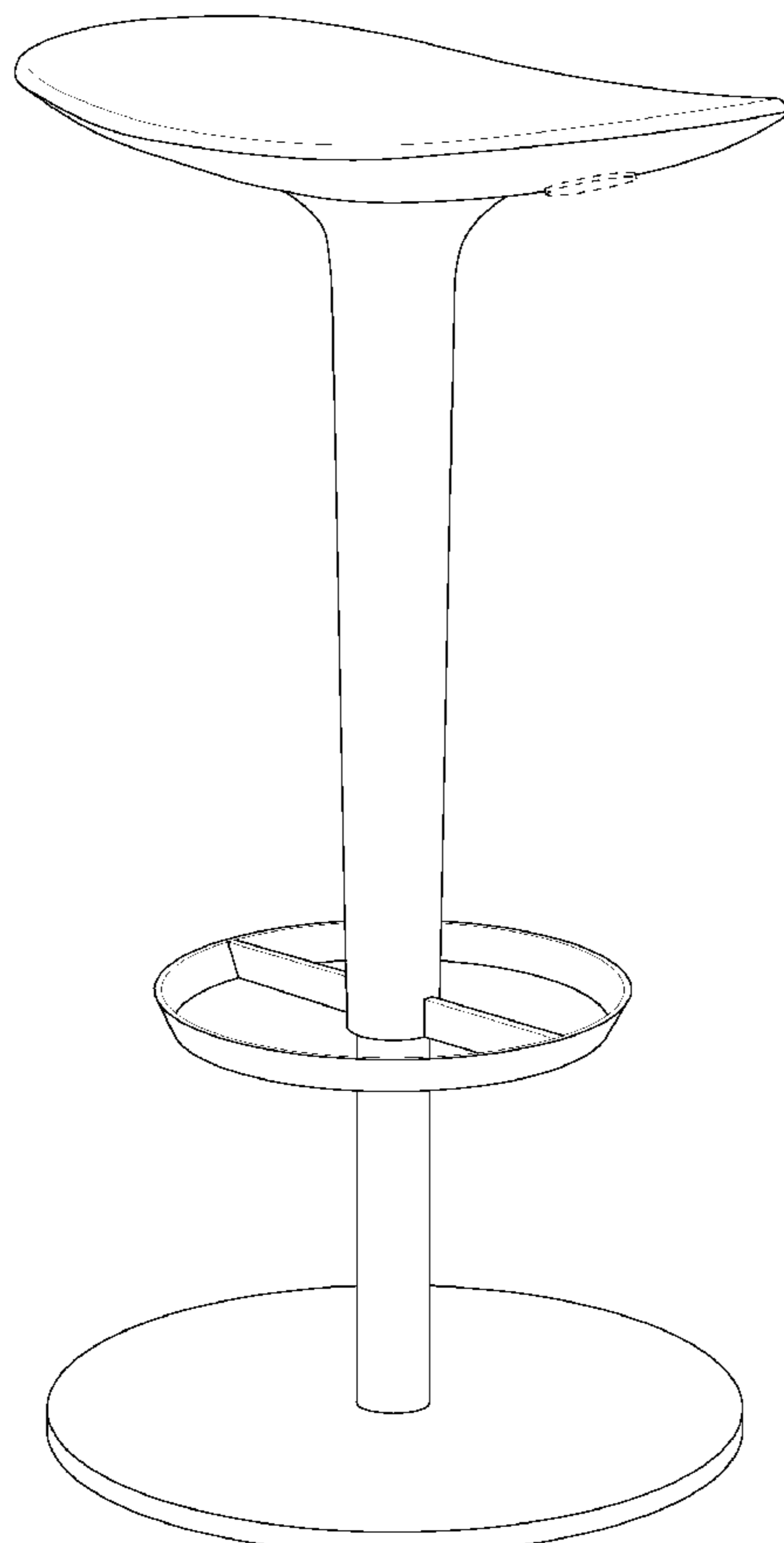
FIG. 5 is a plan view from below thereof;

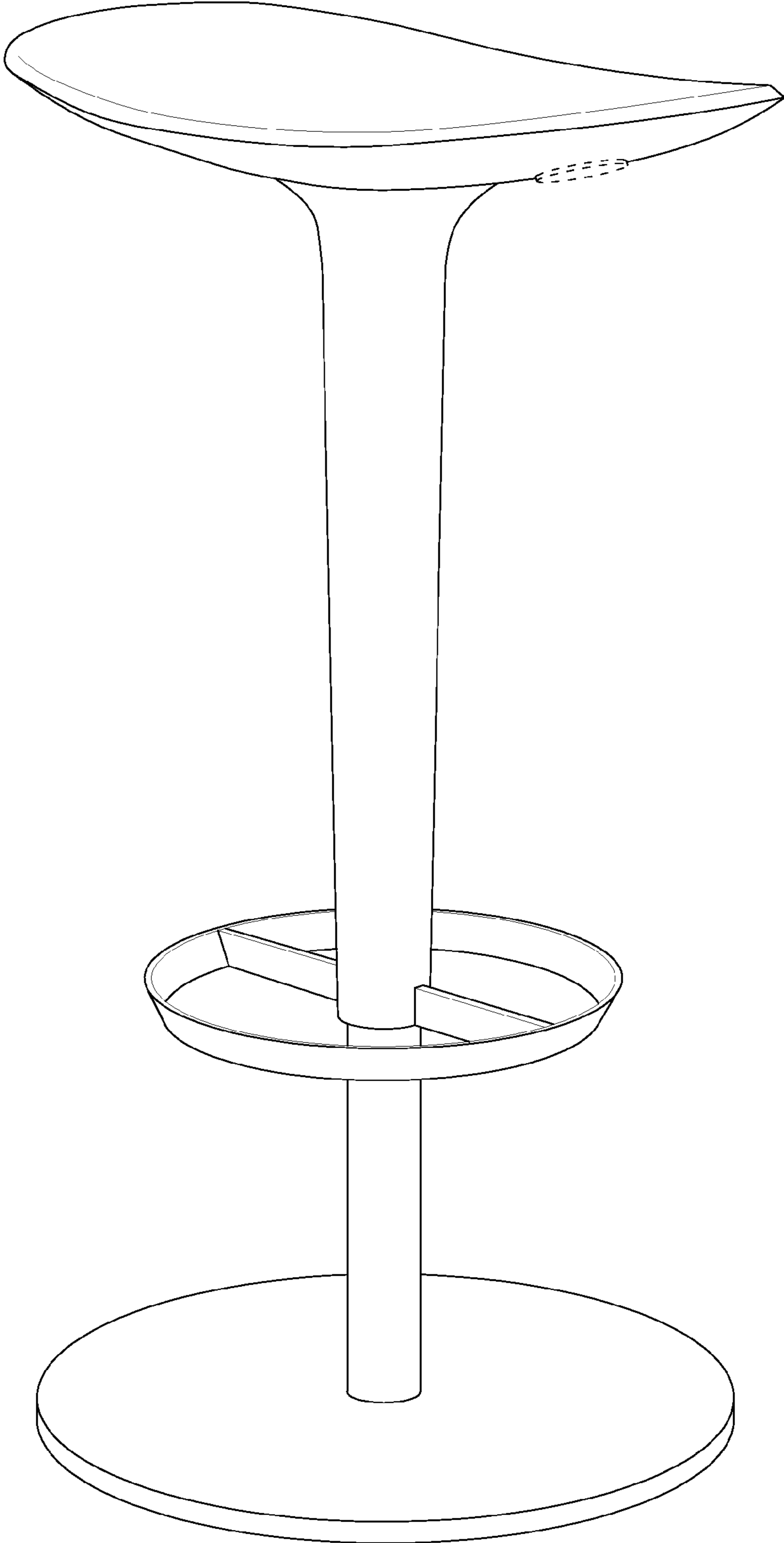
FIG. 6 is a left side view thereof; and,

FIG. 7 is a right side view thereof.

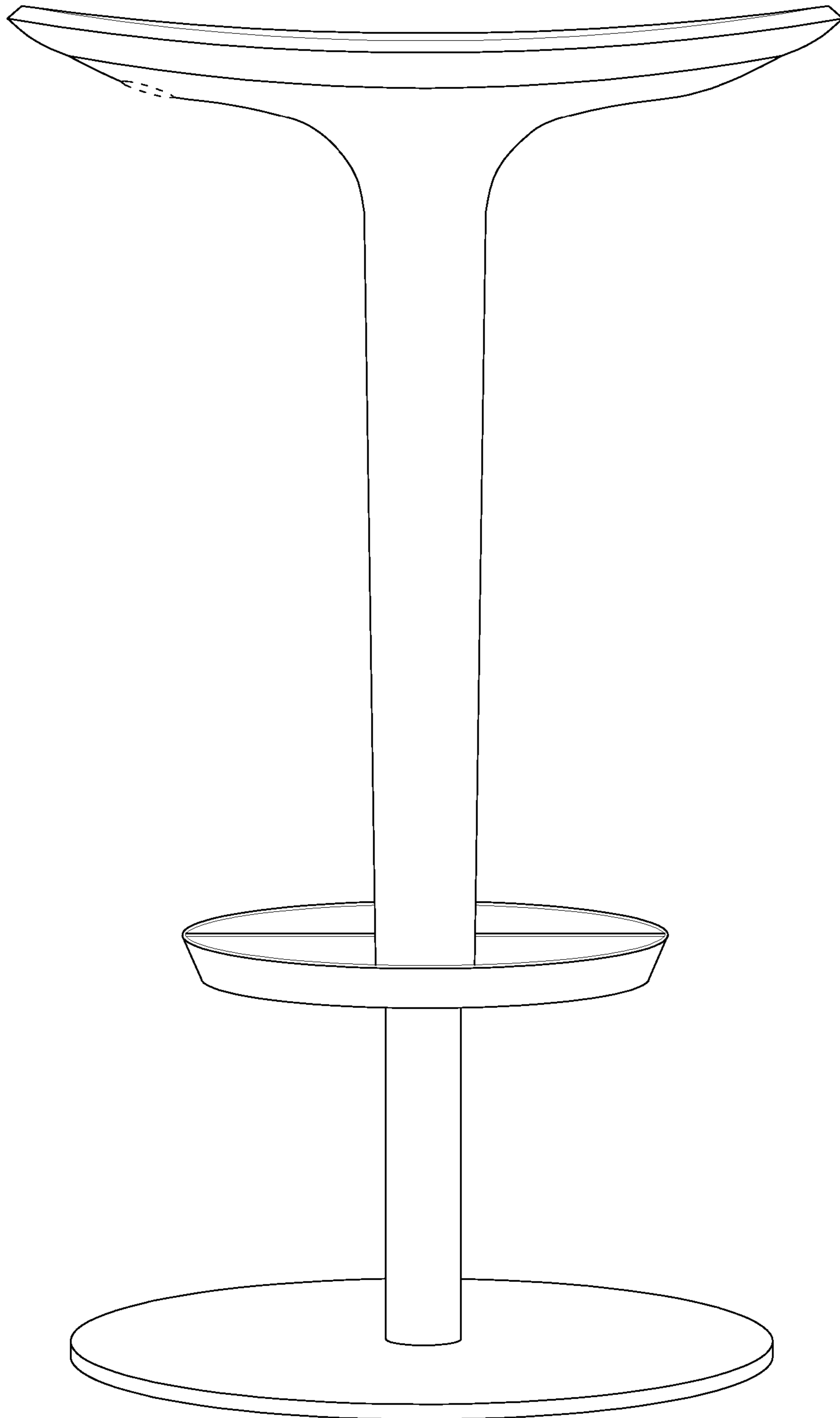
The broken lines shown in the drawing are for illustrative purposes only and form no part of the claimed design.

**1 Claim, 7 Drawing Sheets**

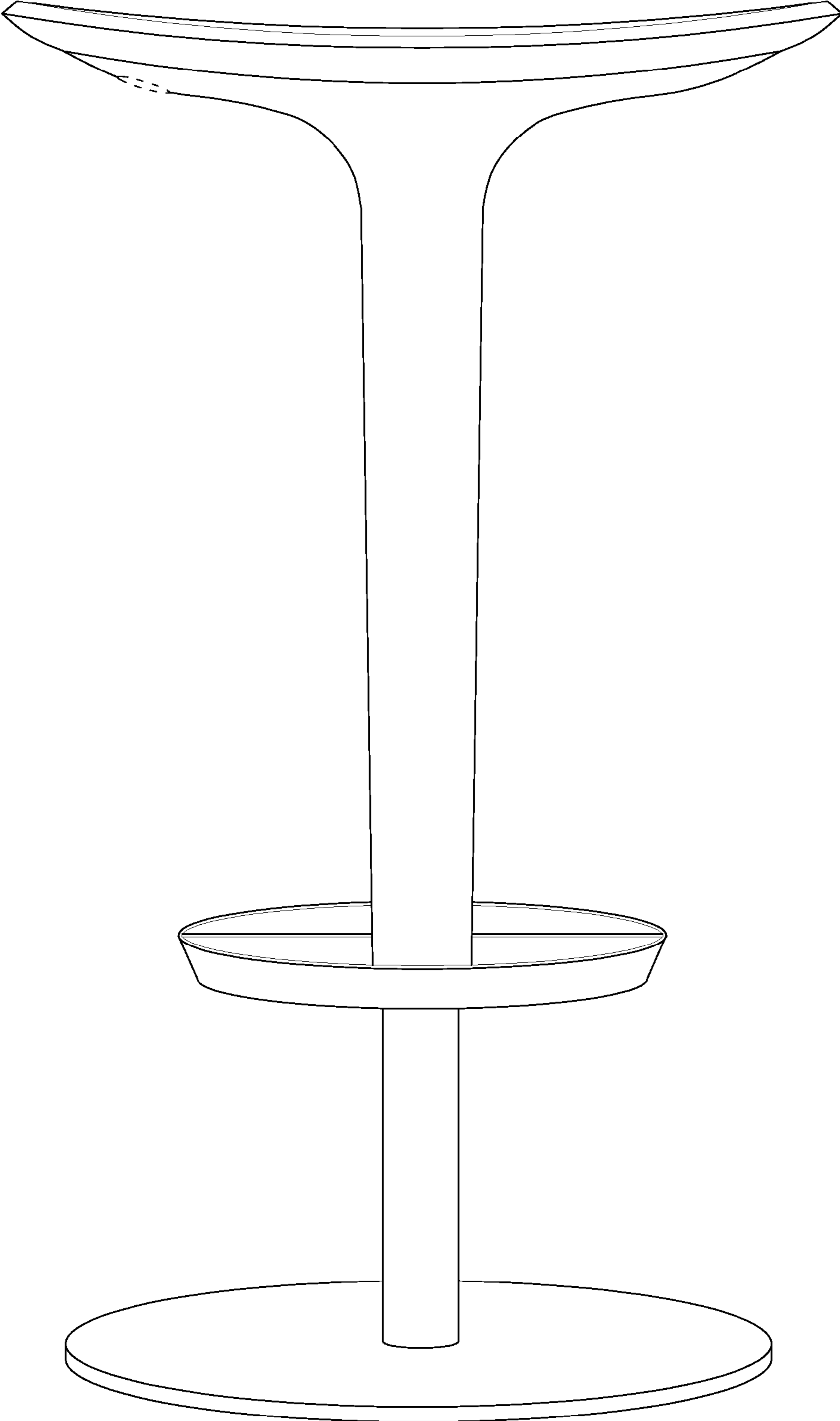




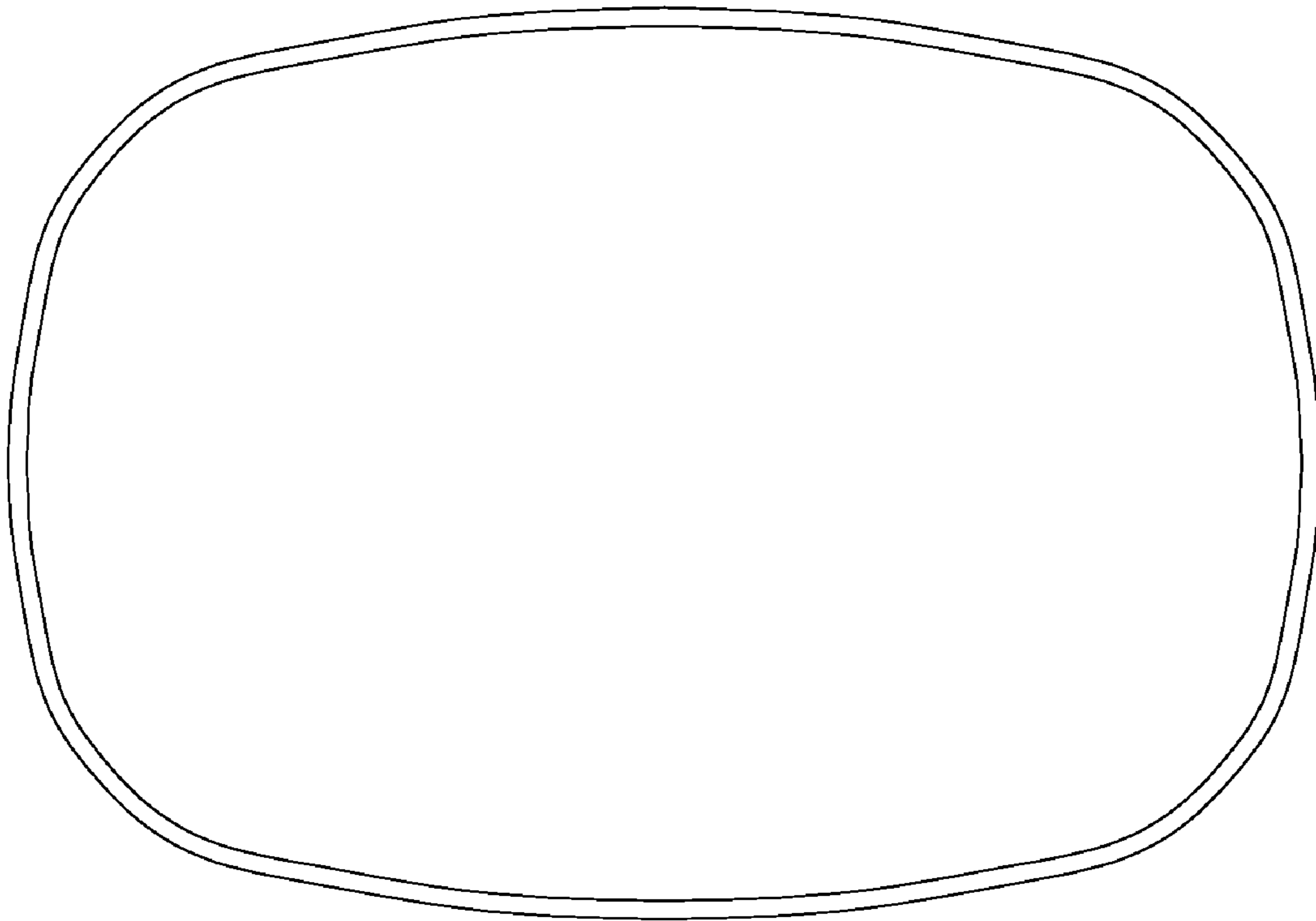
*Fig. 1*



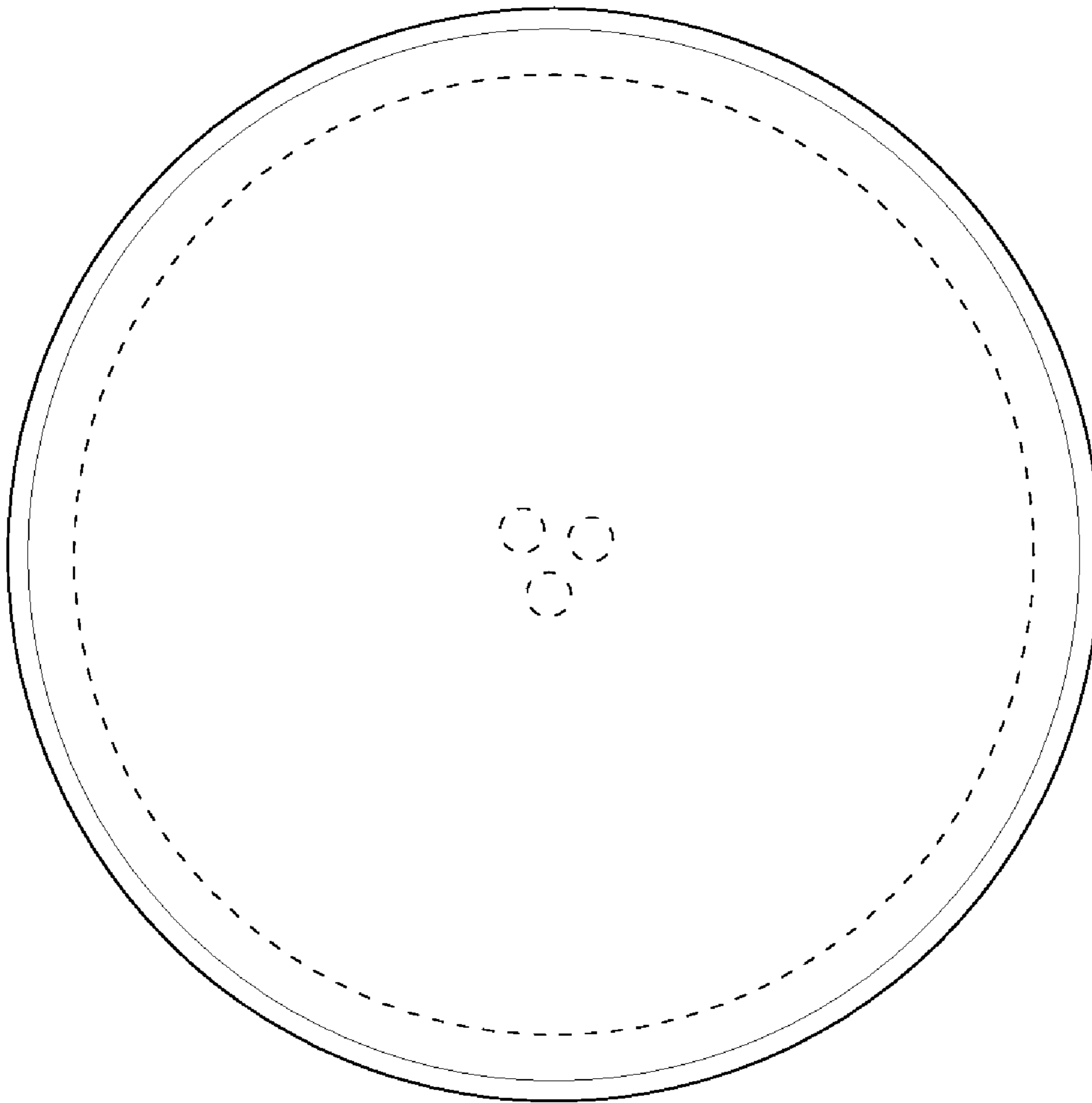
*Fig. 2*



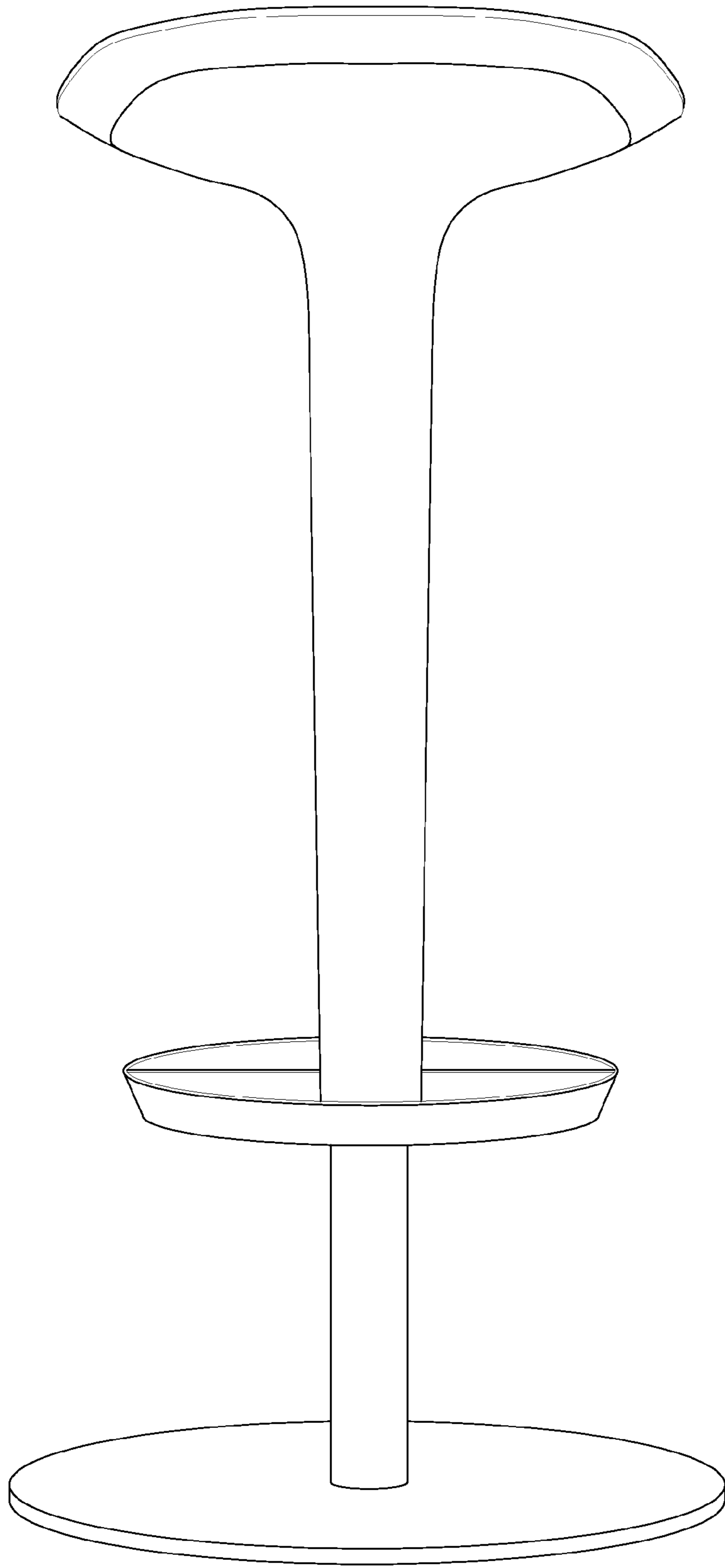
*Fig. 3*



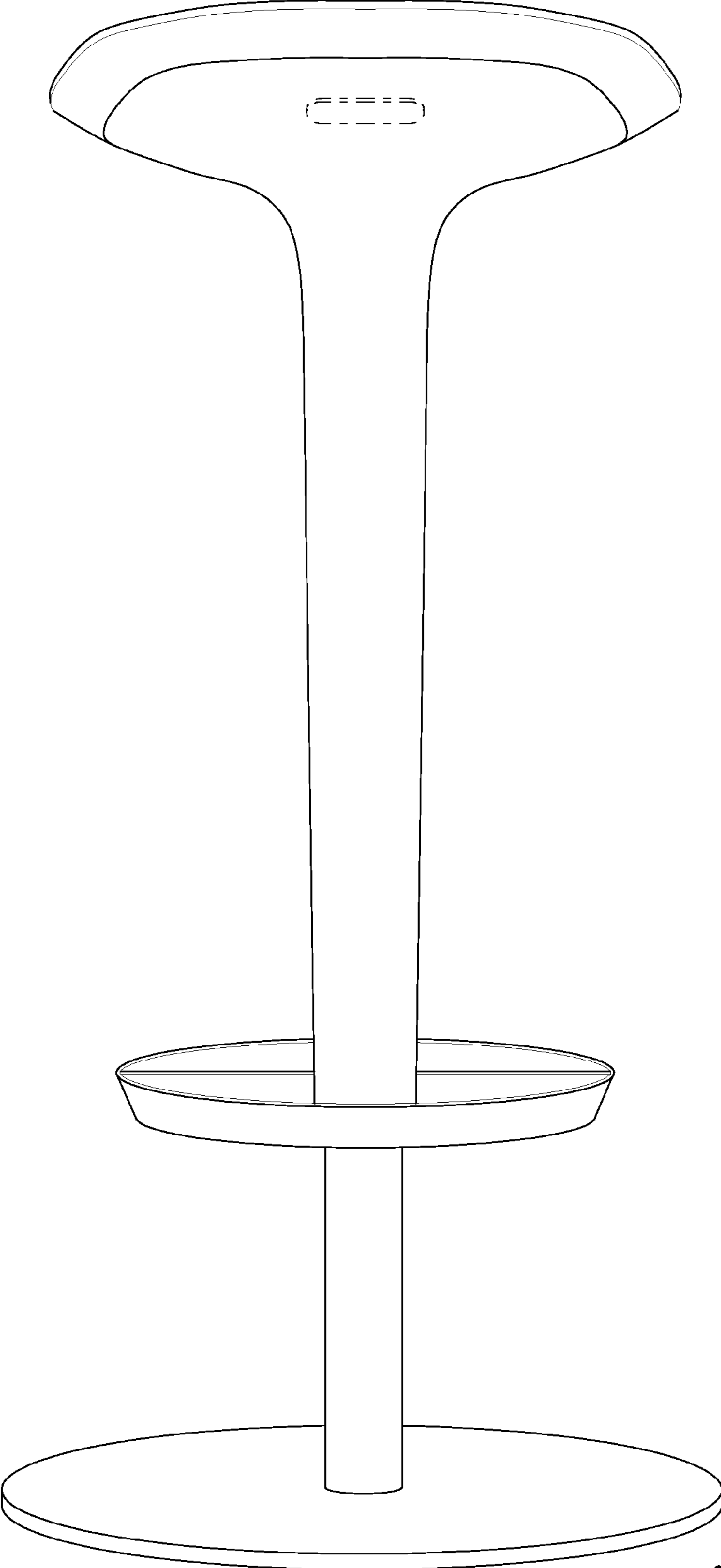
*Fig. 4*



*Fig. 5*



*Fig. 6*



*Fig. 7*