



US00D657147S

(12) **United States Design Patent**
Sclare

(10) **Patent No.:** **US D657,147 S**

(45) **Date of Patent:** **** Apr. 10, 2012**

(54) **PAD FOR A CHAIR, SEAT, SWING, OR THE LIKE**

(75) Inventor: **Jacob M. Sclare**, Dacula, GA (US)

(73) Assignee: **Kids II, Inc.**, Atlanta, GA (US)

(**) Term: **14 Years**

(21) Appl. No.: **29/350,435**

(22) Filed: **Nov. 17, 2009**

(51) **LOC (9) Cl.** **06-01**

(52) **U.S. Cl.** **D6/333**

(58) **Field of Classification Search** D6/333-335,
D6/339, 342, 368, 373-374, 501-502, 601,
D6/606; D21/476; 297/152, 219.12, 228,
297/250.1, 256.15, 411.23

See application file for complete search history.

(56) **References Cited**

U.S. PATENT DOCUMENTS

| | | | | |
|-----------|------|---------|-------------------|---------|
| 3,008,153 | A * | 11/1961 | Coulter | 5/654 |
| D230,804 | S * | 3/1974 | Lijewski | D6/601 |
| 3,911,512 | A * | 10/1975 | Plate | 5/652 |
| 4,958,886 | A | 9/1990 | Barattini et al. | |
| D314,116 | S * | 1/1991 | Reed | D6/601 |
| 5,150,945 | A | 9/1992 | Aupperlee et al. | |
| 5,150,947 | A | 9/1992 | Croshaw | |
| D336,785 | S * | 6/1993 | Matsuda | D6/333 |
| 5,261,134 | A * | 11/1993 | Matthews | 5/655 |
| D347,121 | S * | 5/1994 | Harper et al. | D6/333 |
| 5,503,458 | A | 4/1996 | Petrie | |
| D385,340 | S * | 10/1997 | Giese et al. | D23/304 |
| 5,687,433 | A * | 11/1997 | Garner et al. | 4/572.1 |
| 5,918,933 | A | 7/1999 | Hutchinson et al. | |
| 5,954,404 | A | 9/1999 | Suzuki | |
| 6,233,767 | B1 * | 5/2001 | Horowitz | 5/644 |
| D444,981 | S * | 7/2001 | Hall et al. | D6/601 |
| D453,631 | S * | 2/2002 | Kassai et al. | D6/333 |
| 6,457,195 | B1 * | 10/2002 | Holste | 5/636 |
| D468,544 | S * | 1/2003 | Myers | D6/334 |
| 6,532,612 | B2 * | 3/2003 | Matthews Brown | 5/655.3 |
| D489,538 | S * | 5/2004 | Shibata et al. | D6/333 |
| 6,786,546 | B2 | 9/2004 | McConnell et al. | |
| D501,349 | S * | 2/2005 | Harris et al. | D6/601 |

(Continued)

OTHER PUBLICATIONS

Instruction Manual for Combi Pod Bouncer, copyright 2004, publication date unknown, retrieved from Internet <URL: <http://combiusa.com/Content/Uploads/combi/Manuals/Pod-Bouncer-Model5150.pdf>>.

Digital image #1 of Combi brand product, retrieved from the Internet on or before Jun. 24, 2009 <URL for image unavailable, see <http://www.combiusa.com/Products/Item.aspx?Item=16>>.

(Continued)

Primary Examiner — Kelley Donnelly

(74) *Attorney, Agent, or Firm* — Alston & Bird LLP

(57) **CLAIM**

I claim the ornamental design for a pad for a chair, seat, swing, or the like, as shown and described.

DESCRIPTION

FIG. 1 is a perspective view of an embodiment of a pad for a chair, seat, swing, or the like showing my new design;

FIG. 2 is a front elevation view thereof;

FIG. 3 is a right side elevation view thereof;

FIG. 4 is a left side elevation view thereof;

FIG. 5 is a top plan view thereof;

FIG. 6 is a perspective view of another embodiment of a pad for a chair, seat, swing, or the like showing my new design;

FIG. 7 is a front elevation view thereof;

FIG. 8 is a right side elevation view thereof;

FIG. 9 is a left side elevation view thereof;

FIG. 10 is a top plan view thereof;

FIG. 11 is a perspective view of yet another embodiment of a pad for a chair, seat, swing, or the like showing my new design;

FIG. 12 is a front elevation view thereof;

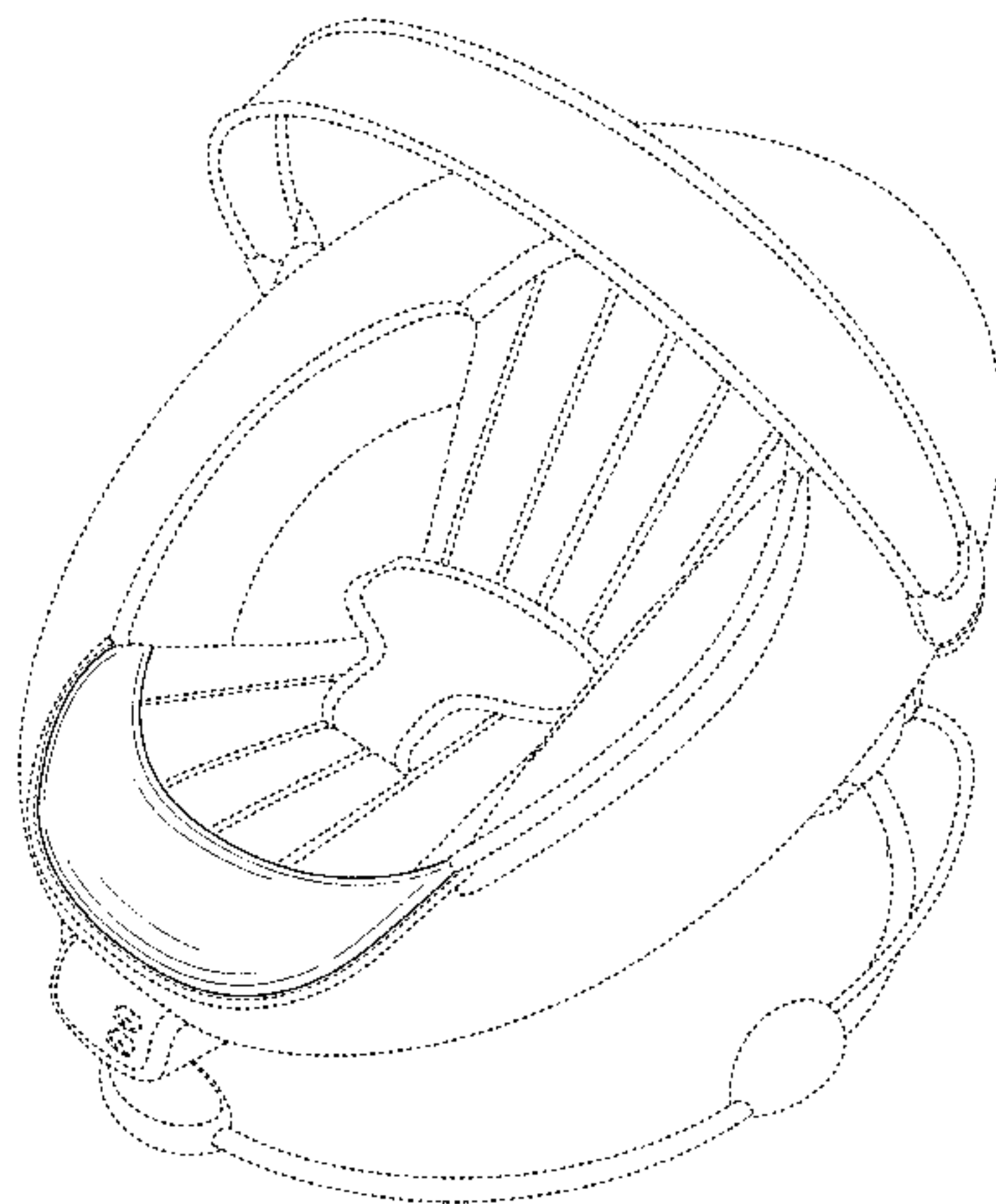
FIG. 13 is a right side elevation view thereof;

FIG. 14 is a left side elevation view thereof; and,

FIG. 15 is a top plan view thereof.

The broken lines immediately adjacent solid lines represent bounds of the claimed design and environment while all other broken lines are directed to environment and are for illustrative purposes only. The broken lines form no part of the claimed design.

1 Claim, 15 Drawing Sheets



U.S. PATENT DOCUMENTS

| | | | | |
|--------------|------|---------|----------------------------|---------|
| 6,944,898 | B2 * | 9/2005 | Matthews Brown et al. | 5/655 |
| 6,971,936 | B2 * | 12/2005 | Le Gette et al. | 441/130 |
| 7,011,366 | B1 | 3/2006 | Cornella | |
| D518,967 | S * | 4/2006 | Canna et al. | D6/333 |
| 7,055,196 | B2 * | 6/2006 | Littlehorn | 5/631 |
| D551,484 | S * | 9/2007 | Kasatshko et al. | D6/604 |
| D558,292 | S * | 12/2007 | Engaldo | D21/803 |
| 7,311,357 | B2 | 12/2007 | Gold et al. | |
| D563,684 | S * | 3/2008 | Starck | D6/333 |
| 7,374,240 | B2 | 5/2008 | Gold et al. | |
| D573,800 | S * | 7/2008 | Backstrom et al. | D6/333 |
| 7,481,490 | B2 | 1/2009 | Cornella | |
| D597,364 | S * | 8/2009 | Lindgren | D6/601 |
| D637,031 | S * | 5/2011 | Anderson | D6/601 |
| 2006/0064819 | A1 * | 3/2006 | Mollett | 5/636 |
| 2007/0029851 | A1 | 2/2007 | Nishimoto | |

OTHER PUBLICATIONS

Digital image #2 of Combi brand product, retrieved from the Internet on or before Jun. 24, 2009 <URL for image unavailable, see <http://www.combiusa.com/Products/Item.aspx?Item=16>>.

Instruction Manual for Graco Infant Restraint/Carrier, copyright 2007, publication date unknown, retrieved from Internet <URL: <http://download.gracobaby.com/ProductInstructionManuals/ISPC090BB.pdf>>.

Digital image #3 of Graco brand product, retrieved from the Internet on or before Jun. 24, 2009 <URL for image unavailable; see <http://www.gracobaby.com/Products/Pages/ProductDetails.aspx?ProductID=1761385>>.

Instruction Manual for Svan Bouncer, available Feb. 19, 2009, retrieved from the Internet <URL: <http://www.svanstore.com/ssi/pdf/svan/bouncer-manual.pdf>>.

Digital Image #4 for Svan brand bouncer product, retrieved from the Internet on or before Jun. 24, 2009 <URL: <http://www.svan.com/Bouncer.php>>.

Instruction Manual for Mamas and Papas Wave Product, copyright 2007, retrieved from the Internet <URL: http://www.mamasandpapas.com/downloads/productmanuals_pdf/Cradles%20and%20Swings/Wave%20Rocker%20Instructions.pdf>.

Digital image #5 of Mamas and Papas brand product, retrieved from the Internet on or before Jun. 24, 2009 <URL for image unavailable; see <http://us.mamasandpapas.com/en-US/product/80/wave-rocker-gingerbread>>.

Digital image #6 of Fisher Price brand product, retrieved from the Internet on or before Jun. 24, 2009 <URL for image unavailable; see <http://www.fisher-price.com/fp.aspx?st=3096&e=redirect&N=0&Ntt=&Ne=+5+8>; see also <http://www.fisher-price.com/fp.aspx?st=2002&e=product&pcat=bg&pid=64682>>.

Digital image #7 for Summer Infant brand product, retrieved from the Internet on or before Jun. 24, 2009 <URL for image unavailable, see <http://www.summerinfant.com/Products/Play/Bouncers.aspx>>.

Digital image #8 of Summer Infant brand product, retrieved from the Internet on or before Jun. 24, 2009 <URL for image unavailable, see <http://www.summerinfant.com/Products/Play/Bouncers.aspx>>.

* cited by examiner

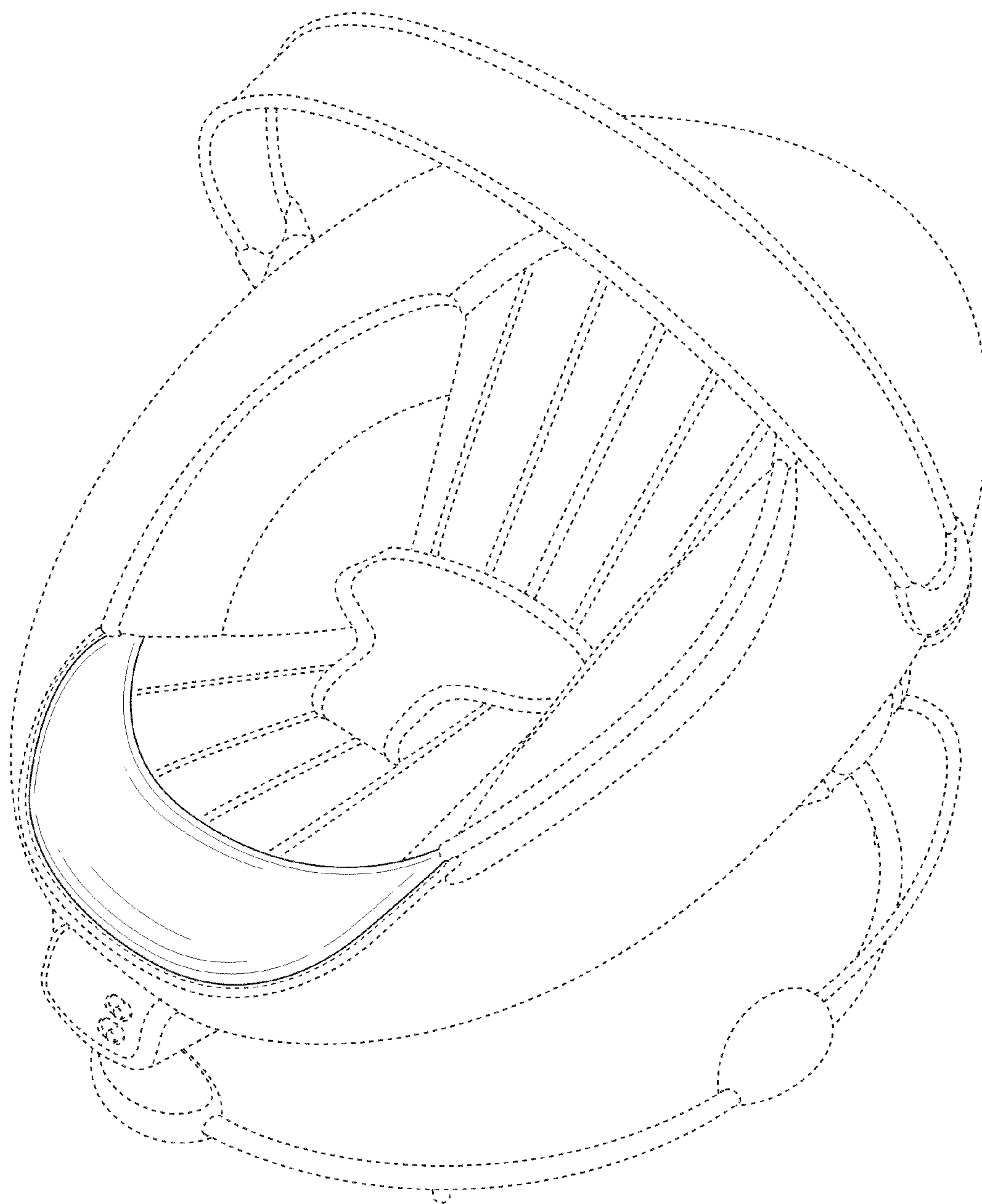


FIG. 1

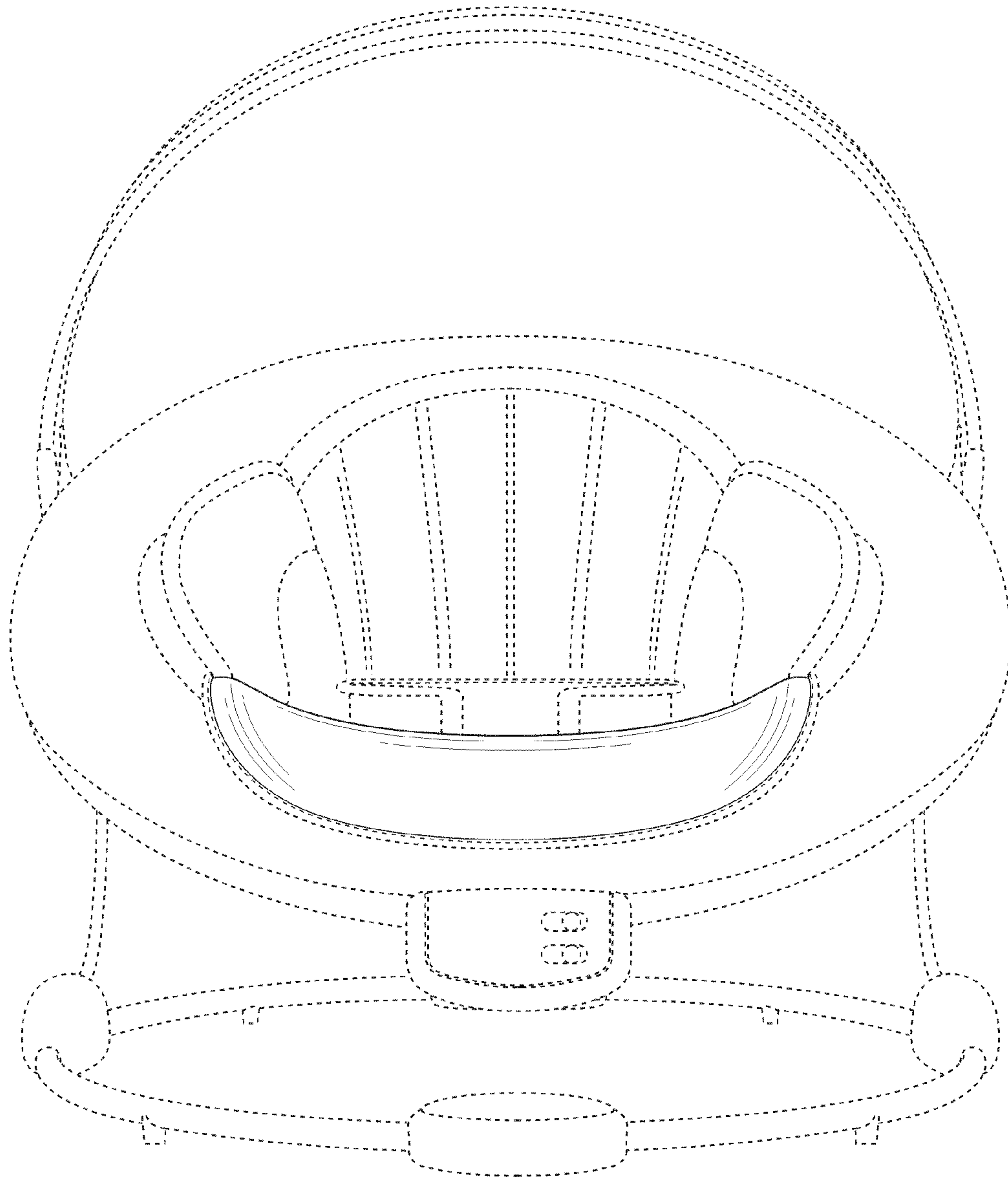


FIG. 2

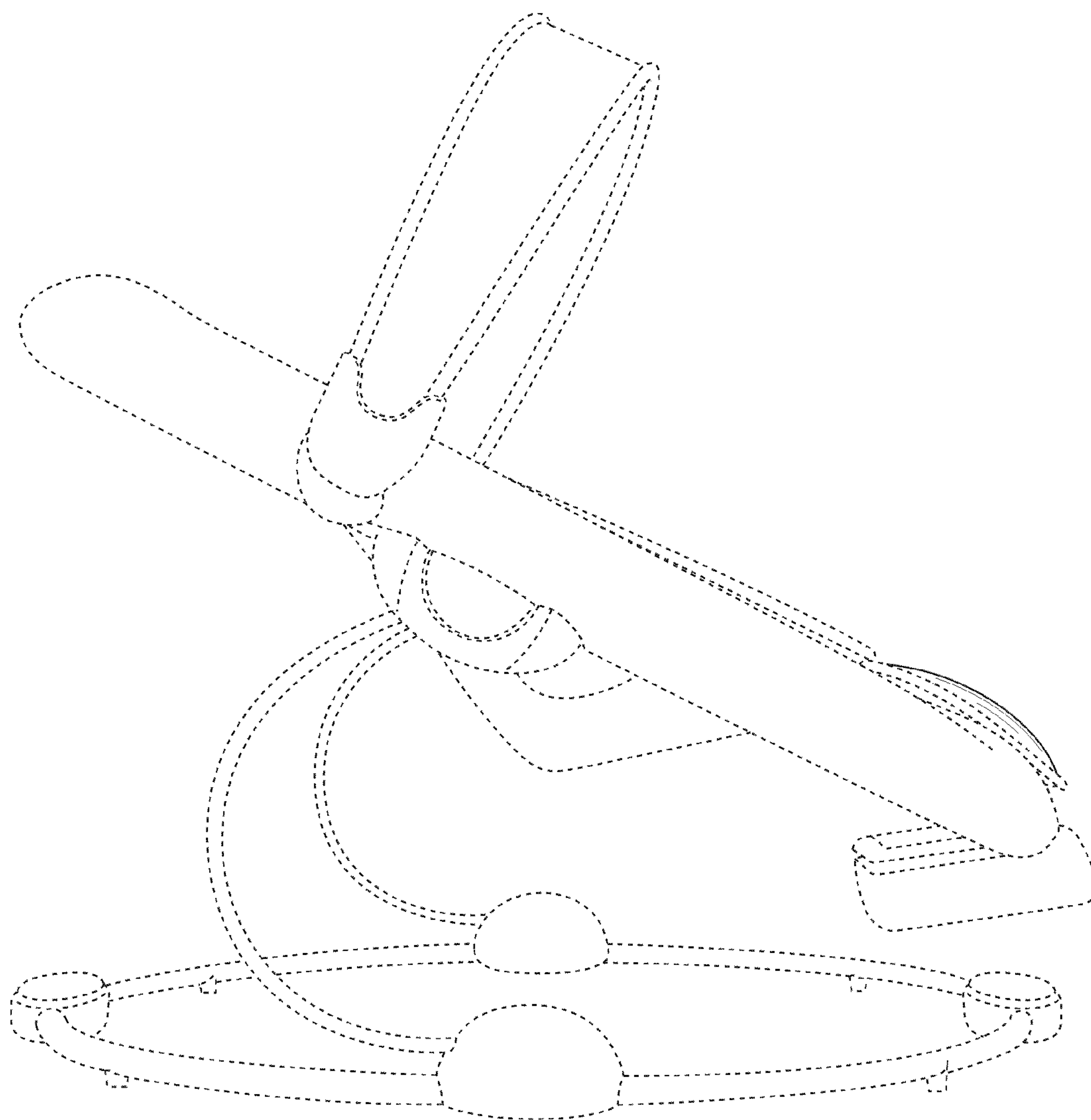


FIG. 3

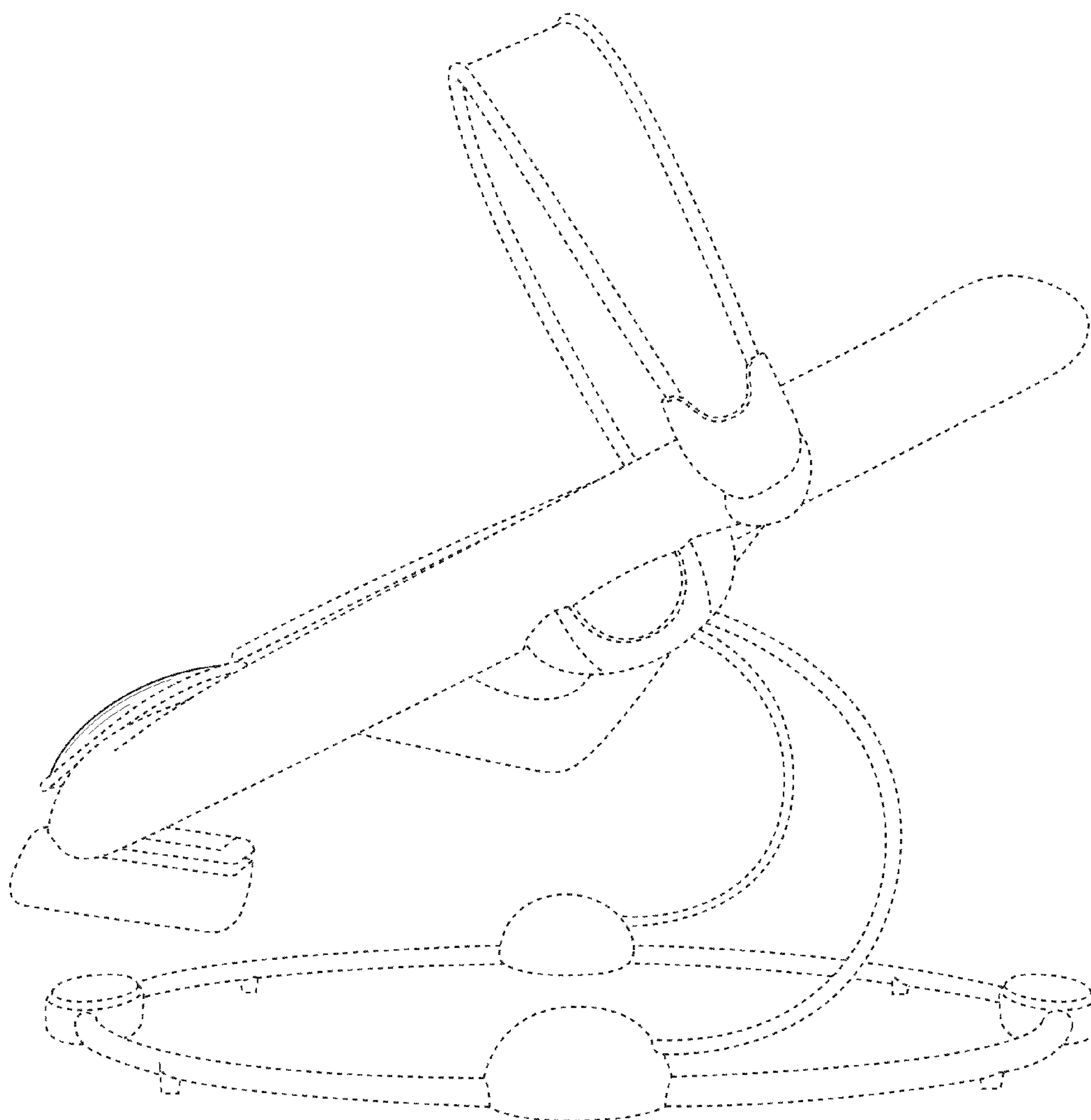


FIG. 4

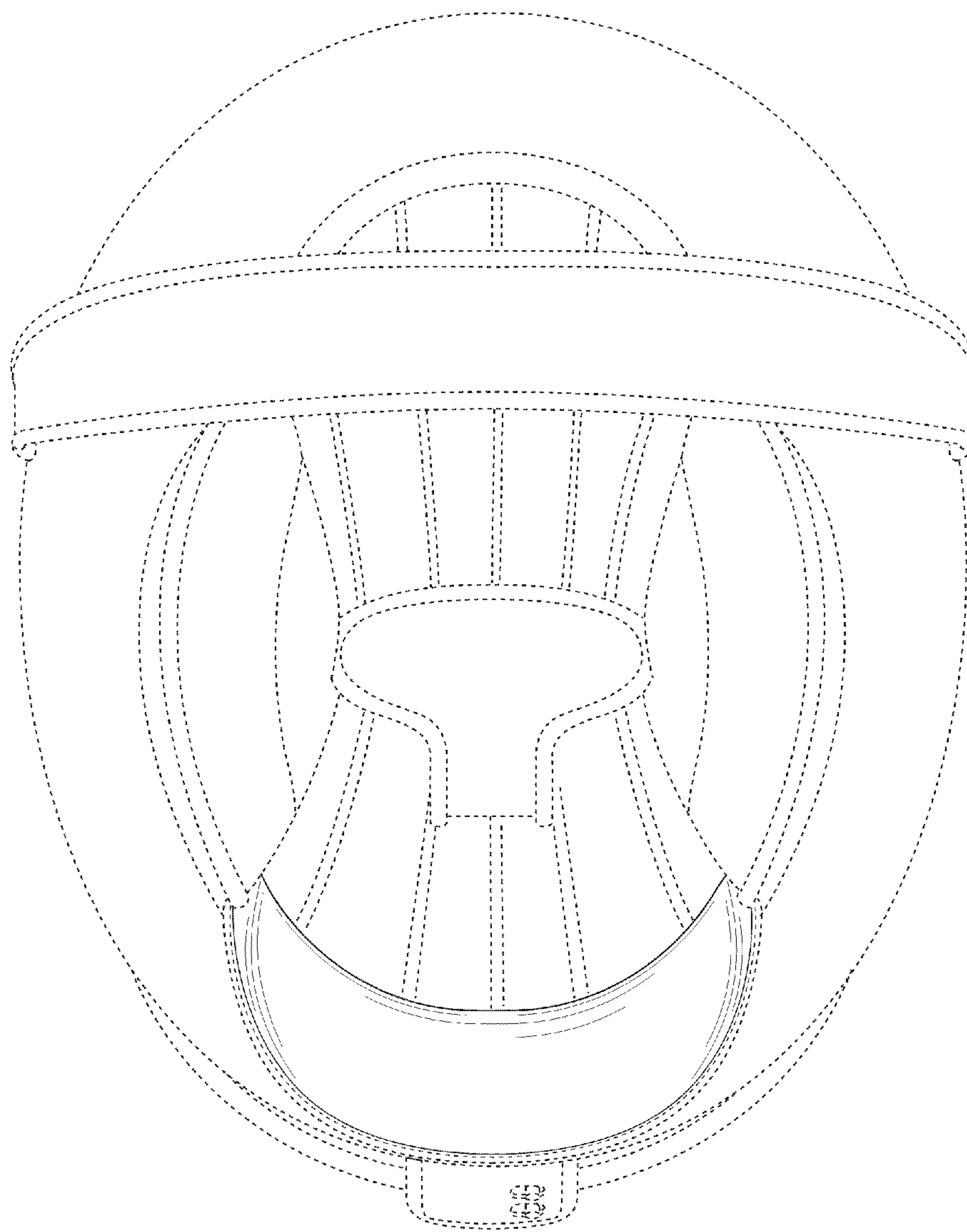


FIG. 5

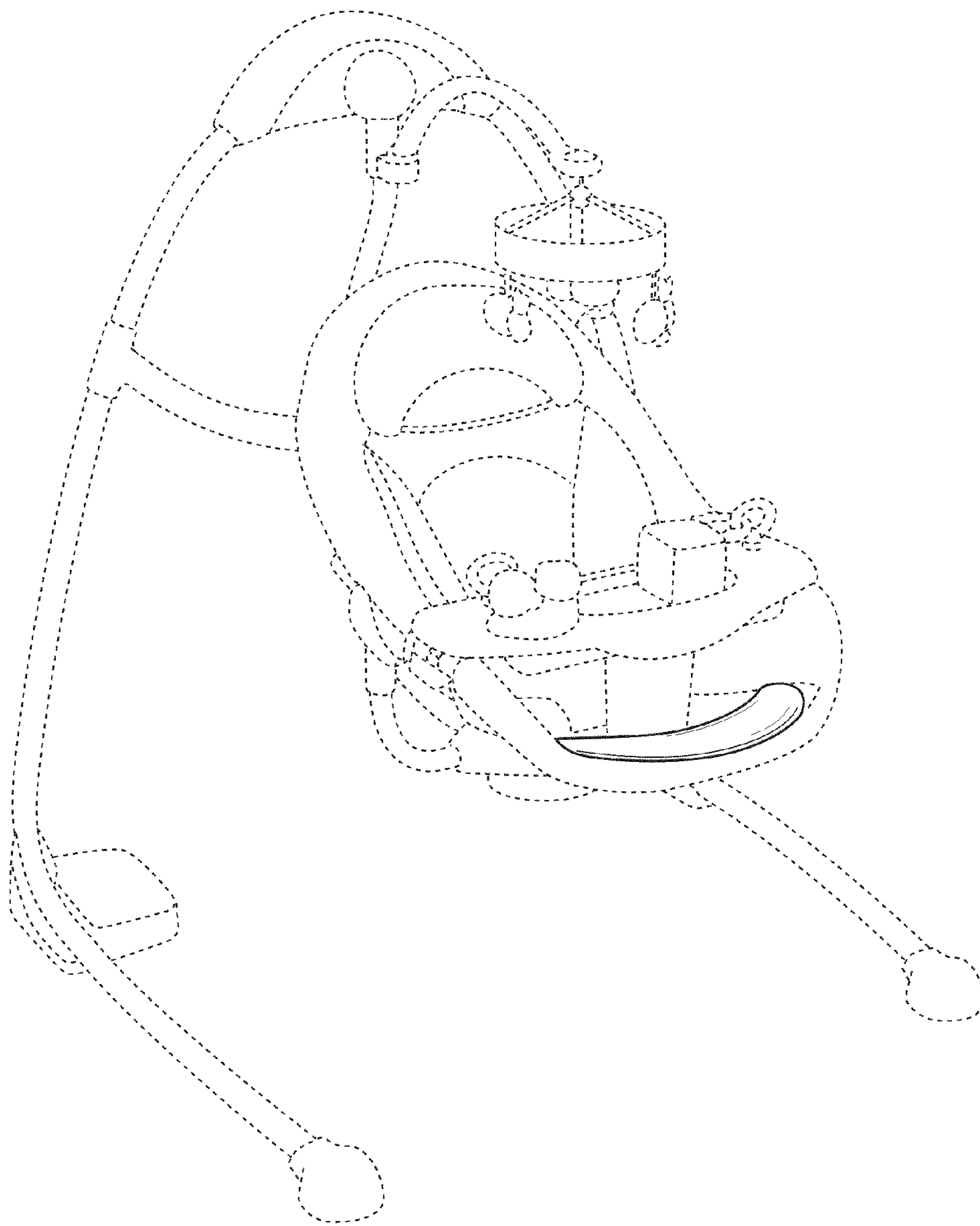


FIG. 6

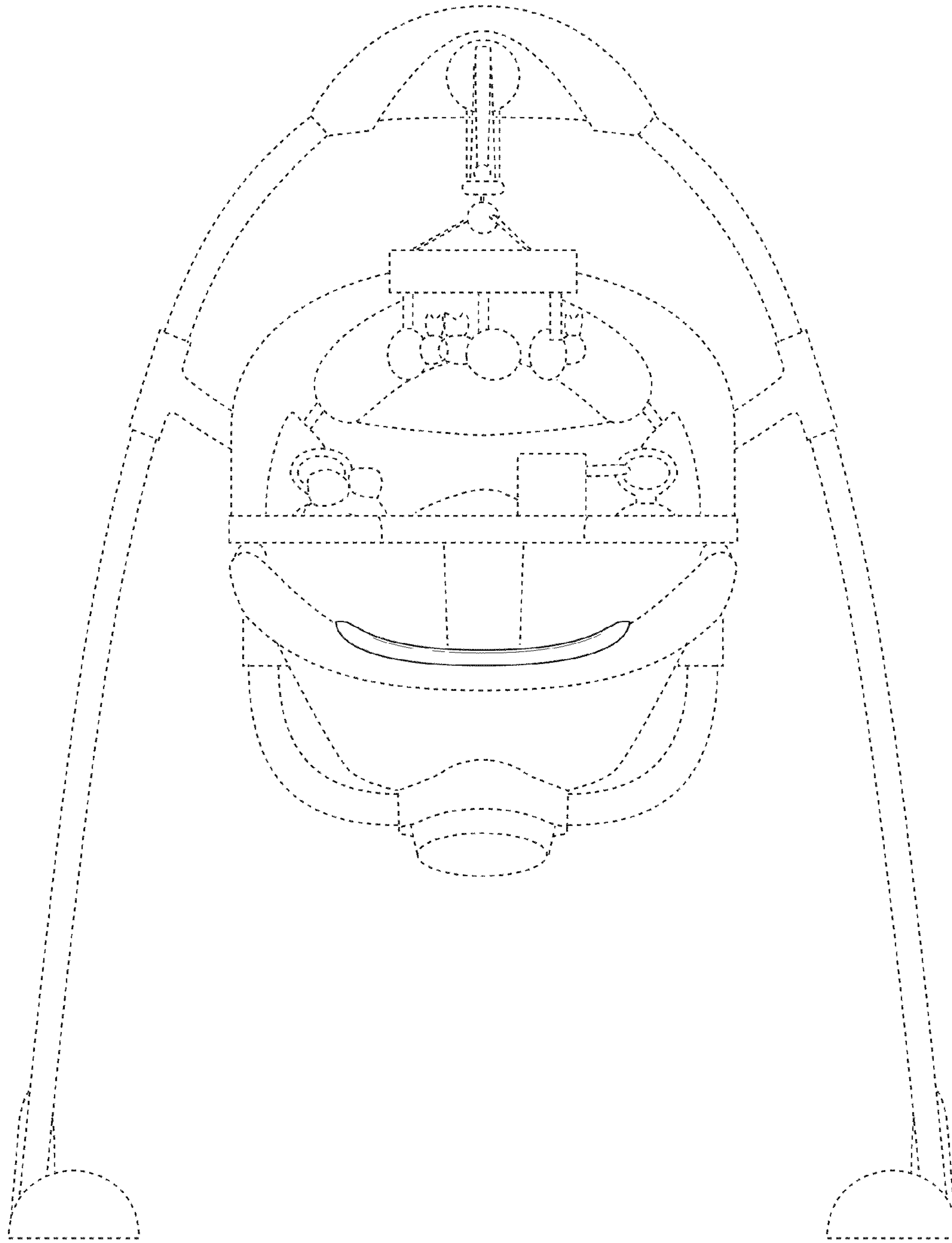


FIG. 7

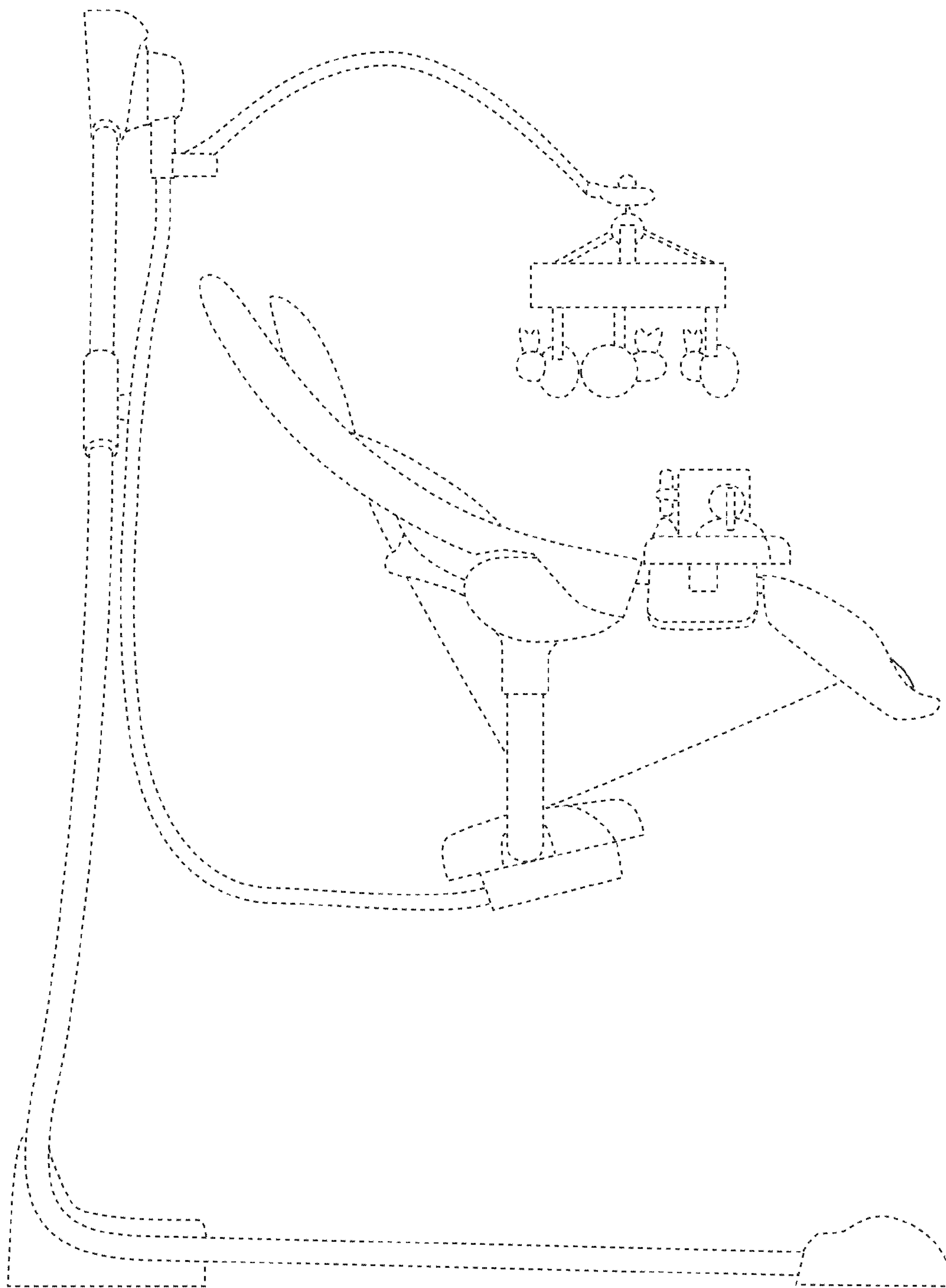


FIG. 8

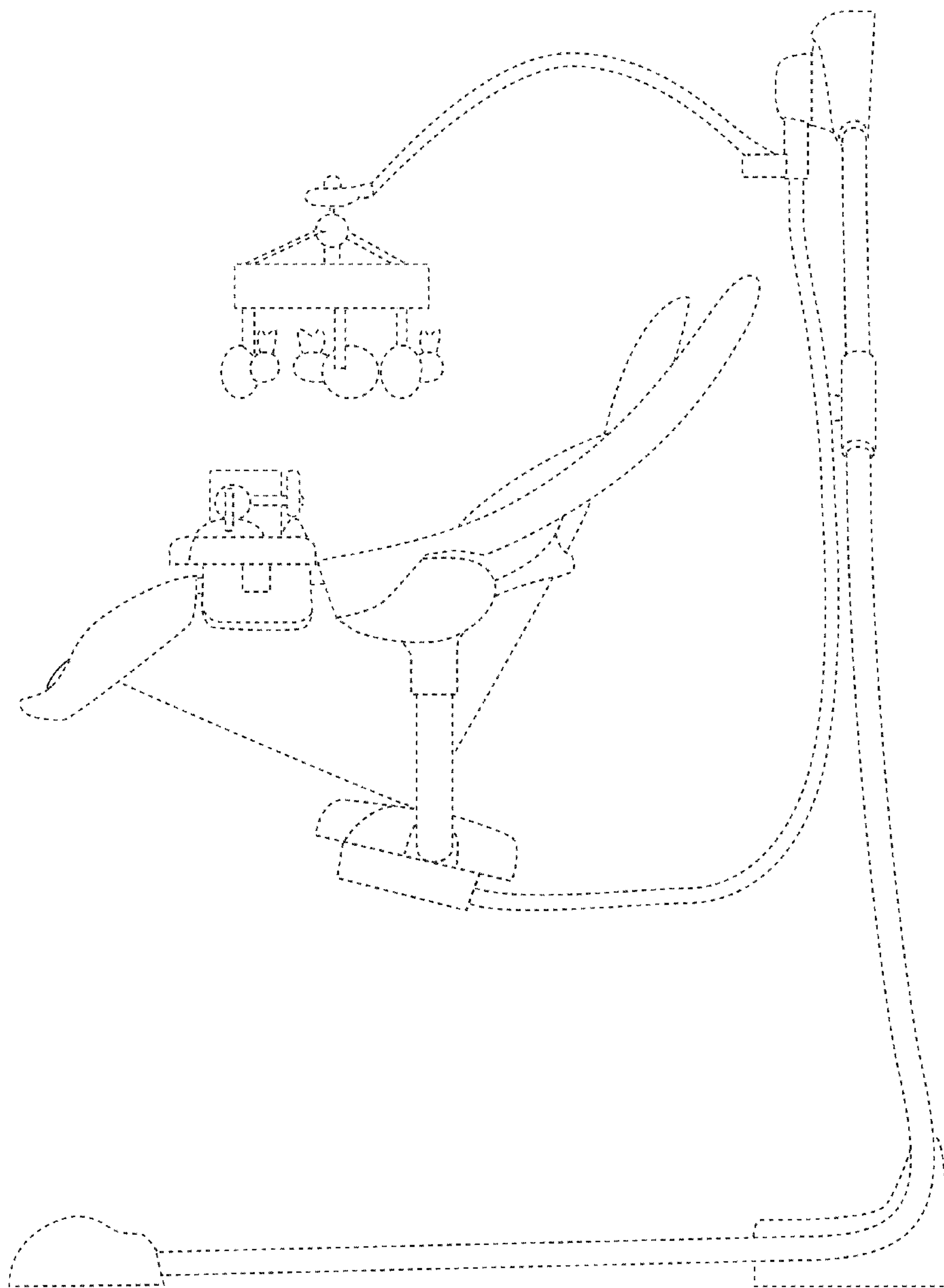


FIG. 9

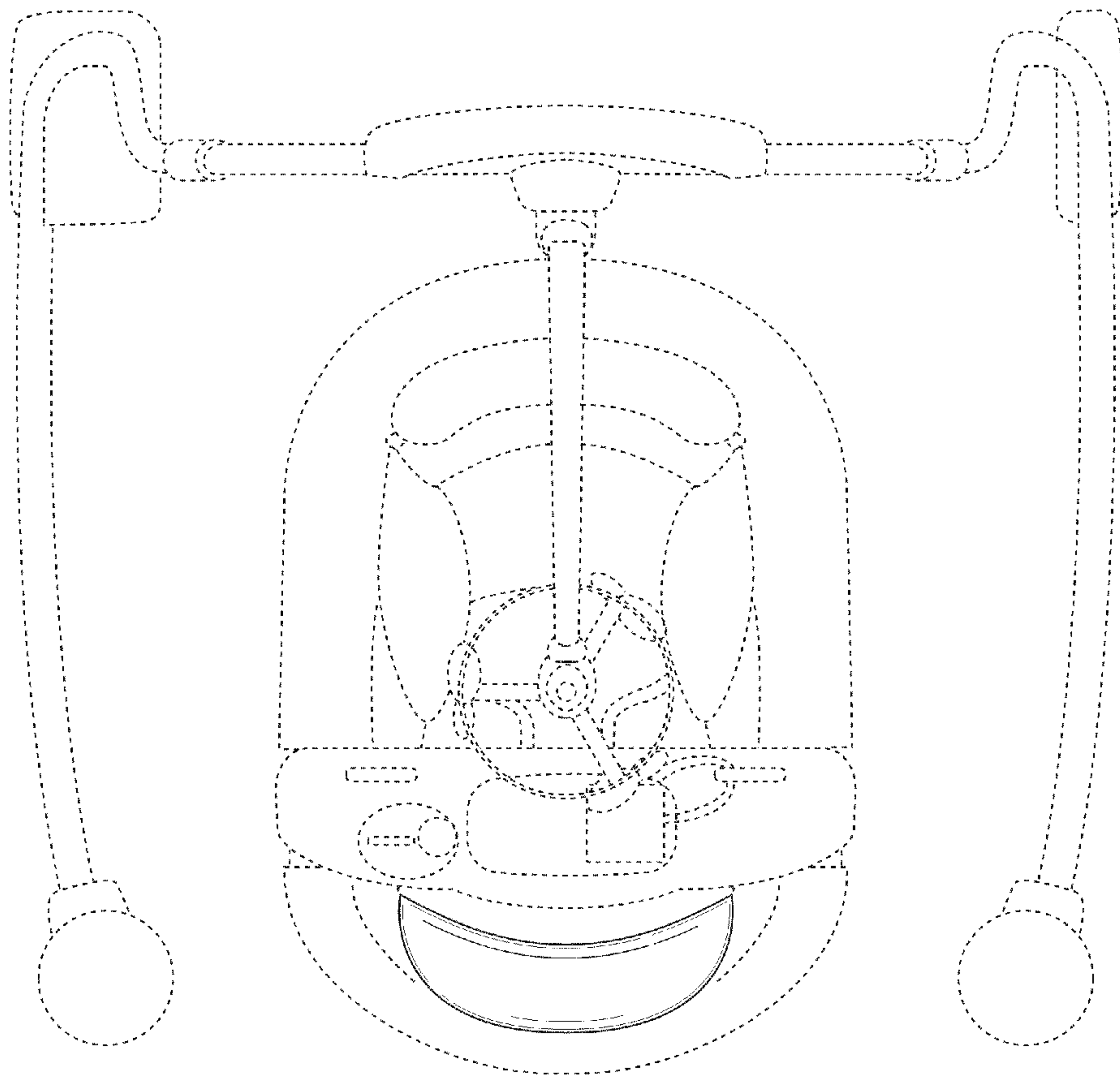


FIG. 10



FIG. 11

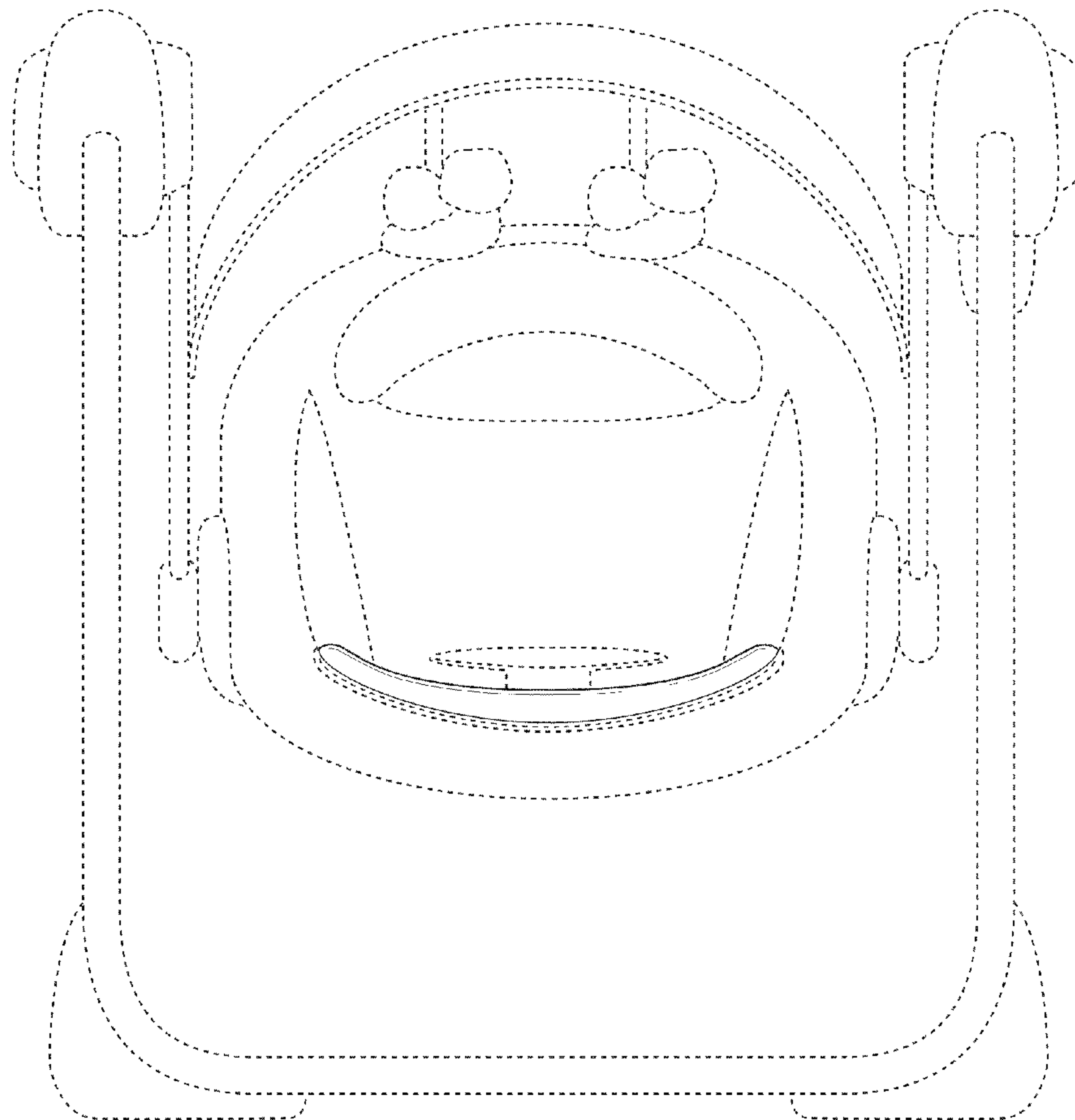


FIG. 12

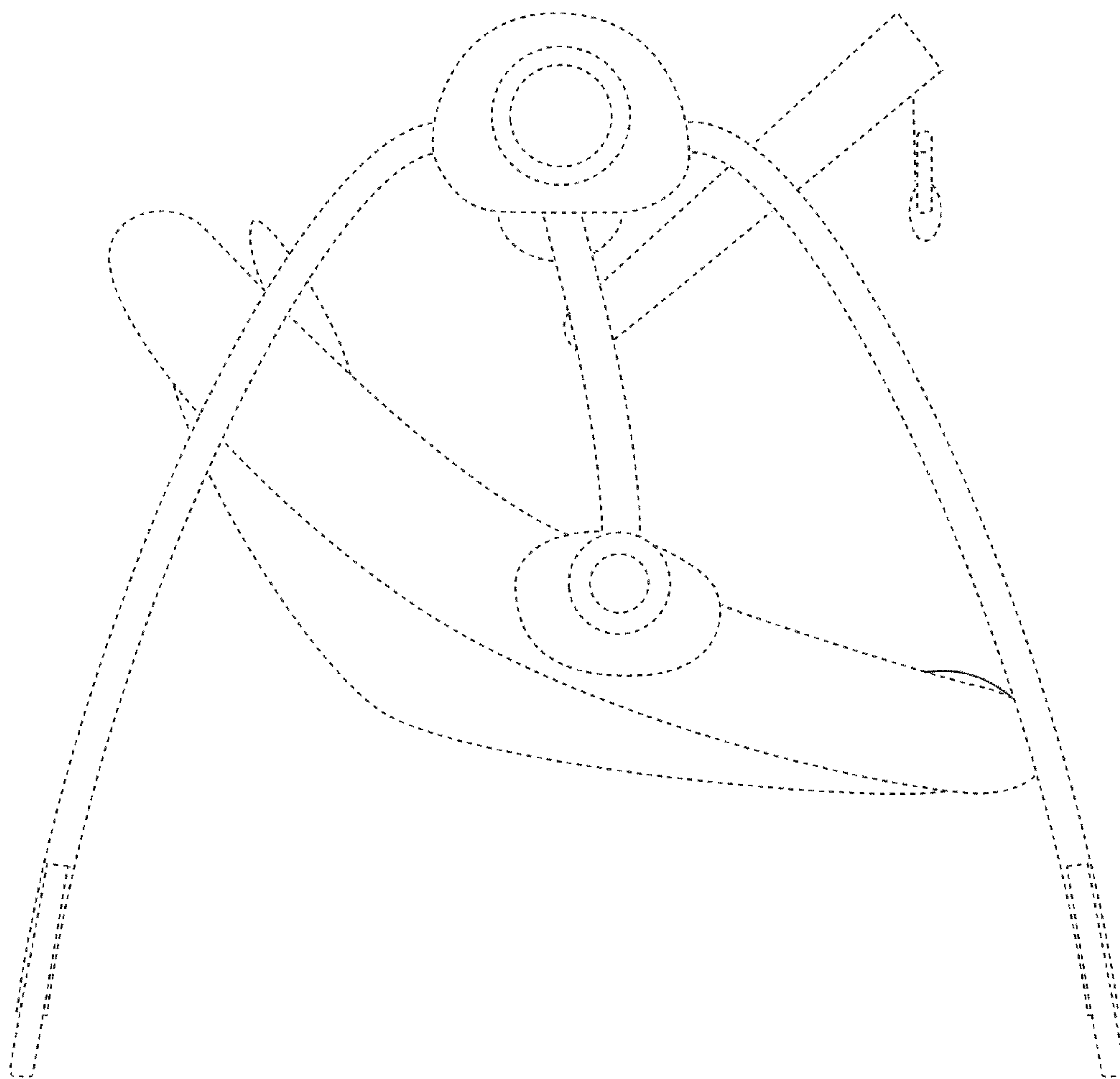


FIG. 13

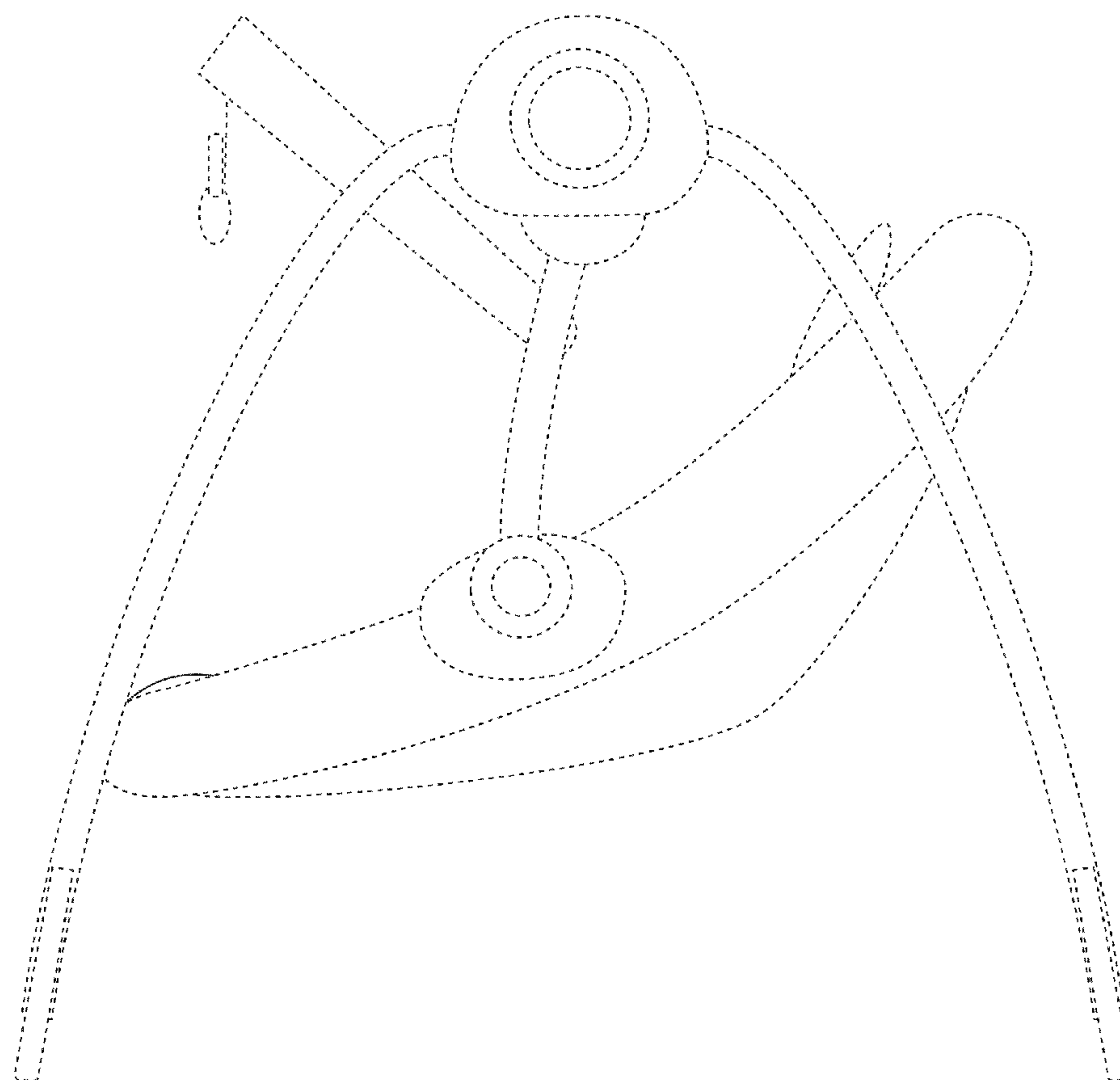


FIG. 14

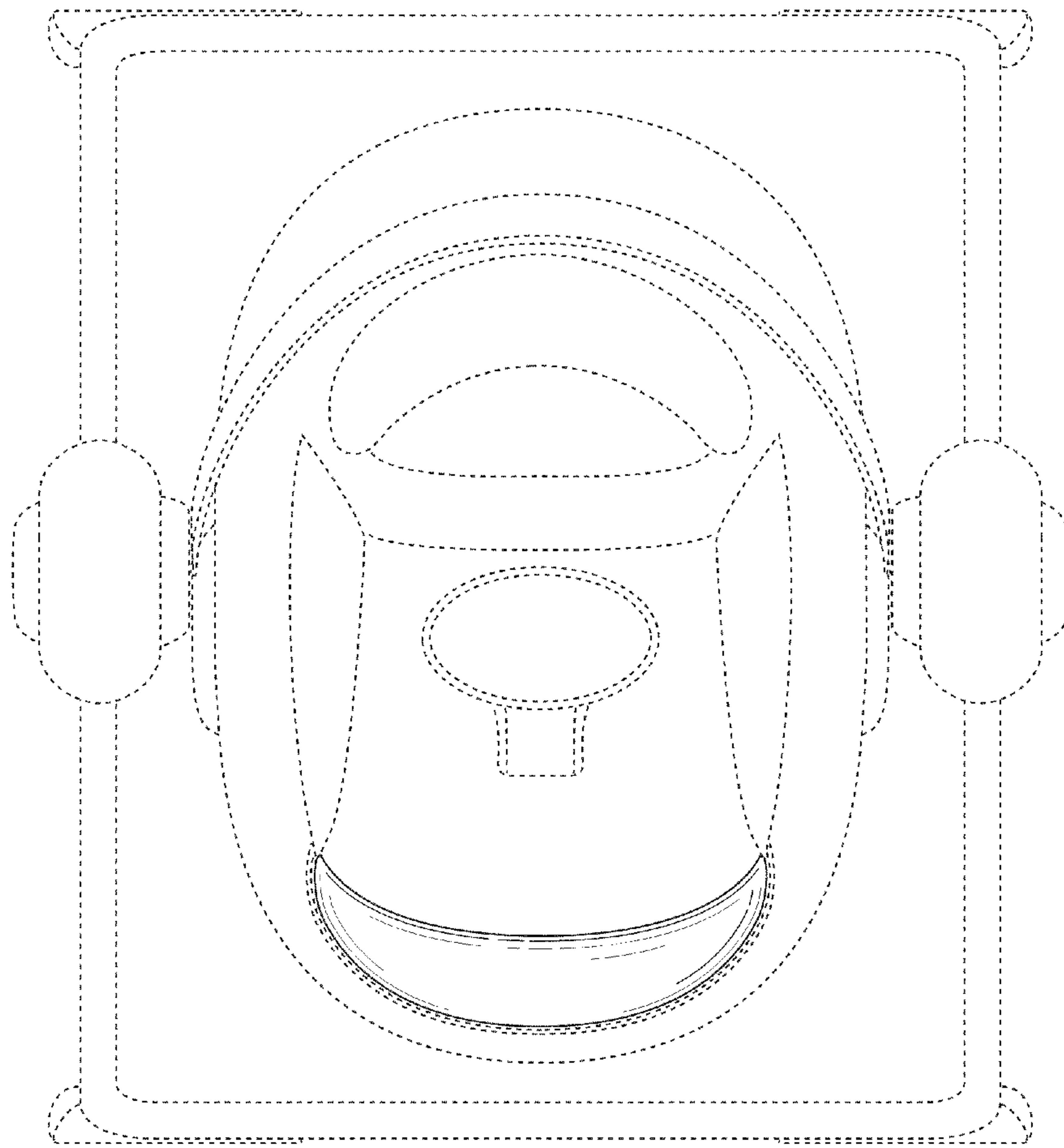


FIG. 15