



US00D657142S

(12) **United States Design Patent**
Reinhart

(10) **Patent No.:** **US D657,142 S**

(45) **Date of Patent:** **** Apr. 10, 2012**

(54) **HOLDER FOR EYEGLASSES**

(76) Inventor: **Terri R. Reinhart**, Kent, WA (US)

(**) Term: **14 Years**

(21) Appl. No.: **29/358,555**

(22) Filed: **Mar. 29, 2010**

(51) **LOC (9) Cl.** **03-01**

(52) **U.S. Cl.** **D3/266**

(58) **Field of Classification Search** D3/219,
D3/263, 264, 265, 266; D6/523, 550; 206/5,
206/5.1, 6; 248/124.1, 183.1
See application file for complete search history.

(56) **References Cited**

U.S. PATENT DOCUMENTS

1,686,002	A *	10/1928	Herzon	206/5
2,557,674	A *	6/1951	McRae	248/95
4,521,930	A *	6/1985	Henson	5/658
4,831,673	A *	5/1989	Winckler	5/503.1
D329,540	S *	9/1992	Kunes et al.	D12/417
5,605,235	A *	2/1997	Johnson	211/26.1
D425,315	S *	5/2000	Cassler	D6/323
6,375,144	B1 *	4/2002	Lacey	248/441.1
6,525,268	B1 *	2/2003	Sellers	174/561
6,594,836	B1 *	7/2003	Everson et al.	5/485

6,761,266	B2 *	7/2004	Popish	206/38
7,284,791	B1 *	10/2007	Wright	297/188.18
D569,101	S *	5/2008	Wang et al.	D3/266

* cited by examiner

Primary Examiner — Holly Baynham

Assistant Examiner — Michelle E Wilson

(57) **CLAIM**

The ornamental design for a holder for eyeglasses, as shown and described.

DESCRIPTION

FIG. 1 is a perspective view of a holder for eyeglasses showing our new design, shown installed on a sofa;

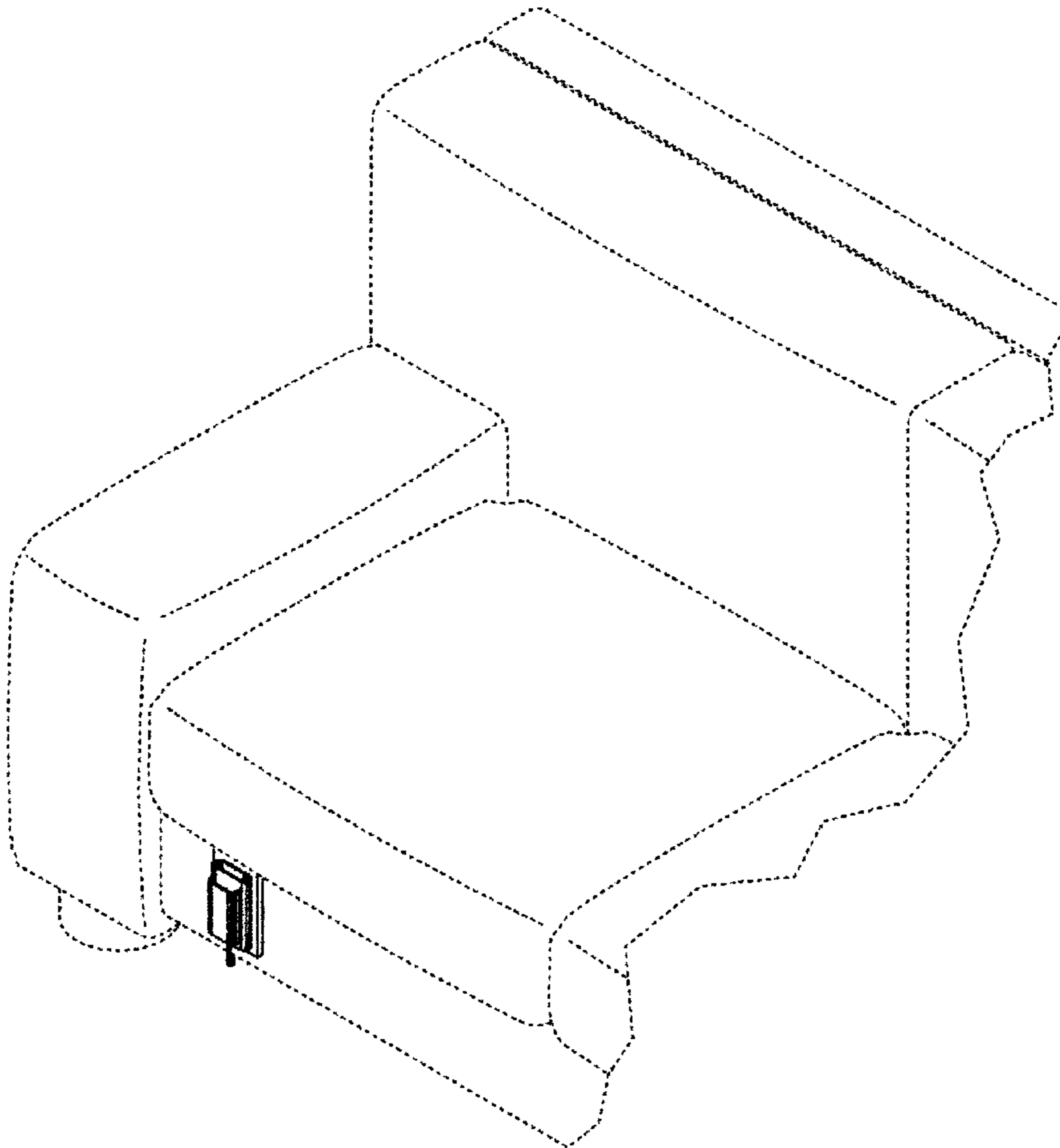
FIG. 2 is an enlarged and exploded top, front, and right side perspective view thereof shown hinged and with hook and loop tape as fasteners.

FIG. 3 is an enlarged view shown hinged with a supplemental pocket.

FIG. 4 is an enlarged bottom perspective view shown hinged and open; and,

FIG. 5 is an enlarged view thereof shown hinged and folded. The broken line showing of a sofa is included for the purpose of illustrating environment and forms no part of the claimed design.

1 Claim, 3 Drawing Sheets



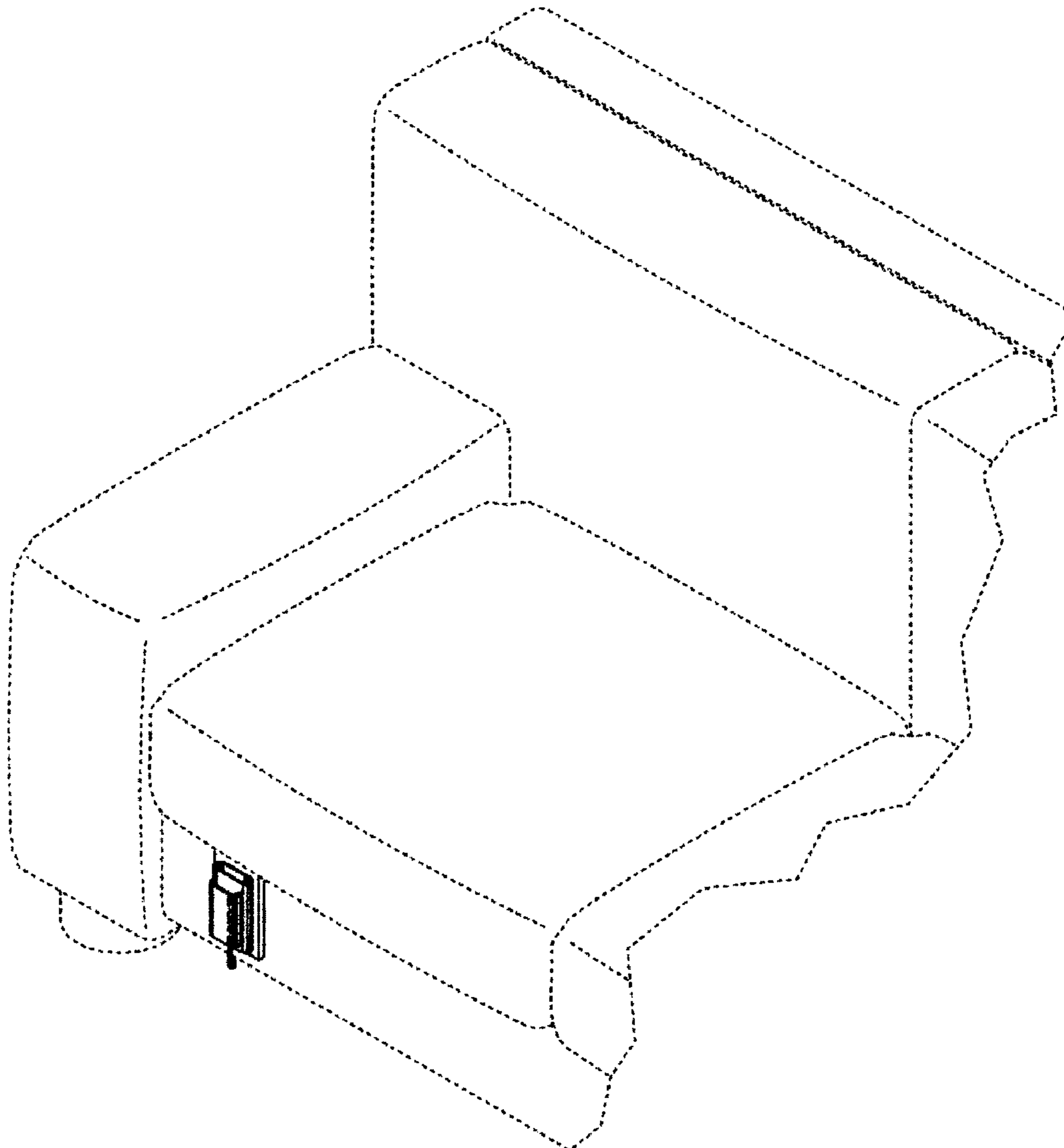


Figure 1

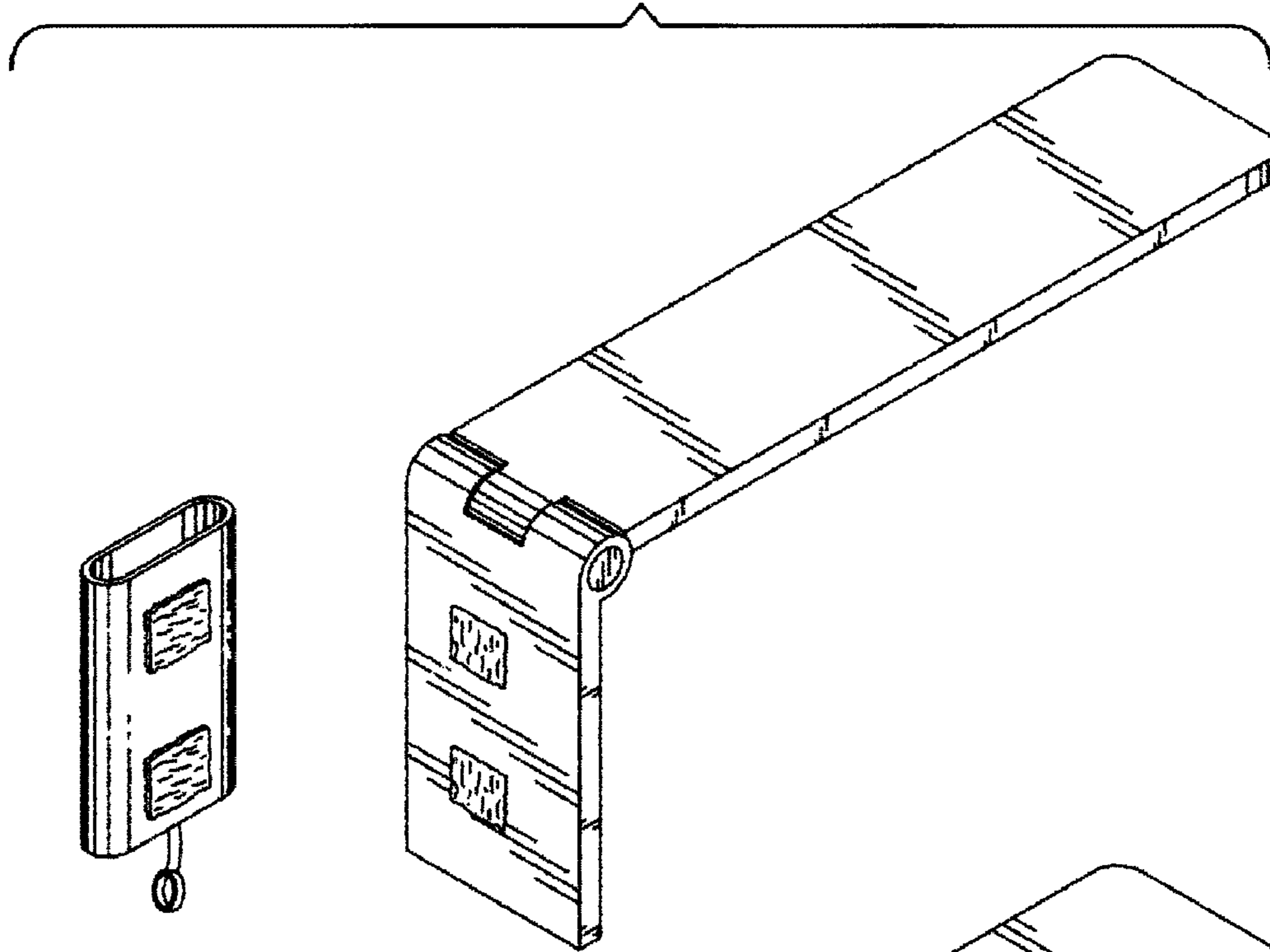


Figure 2

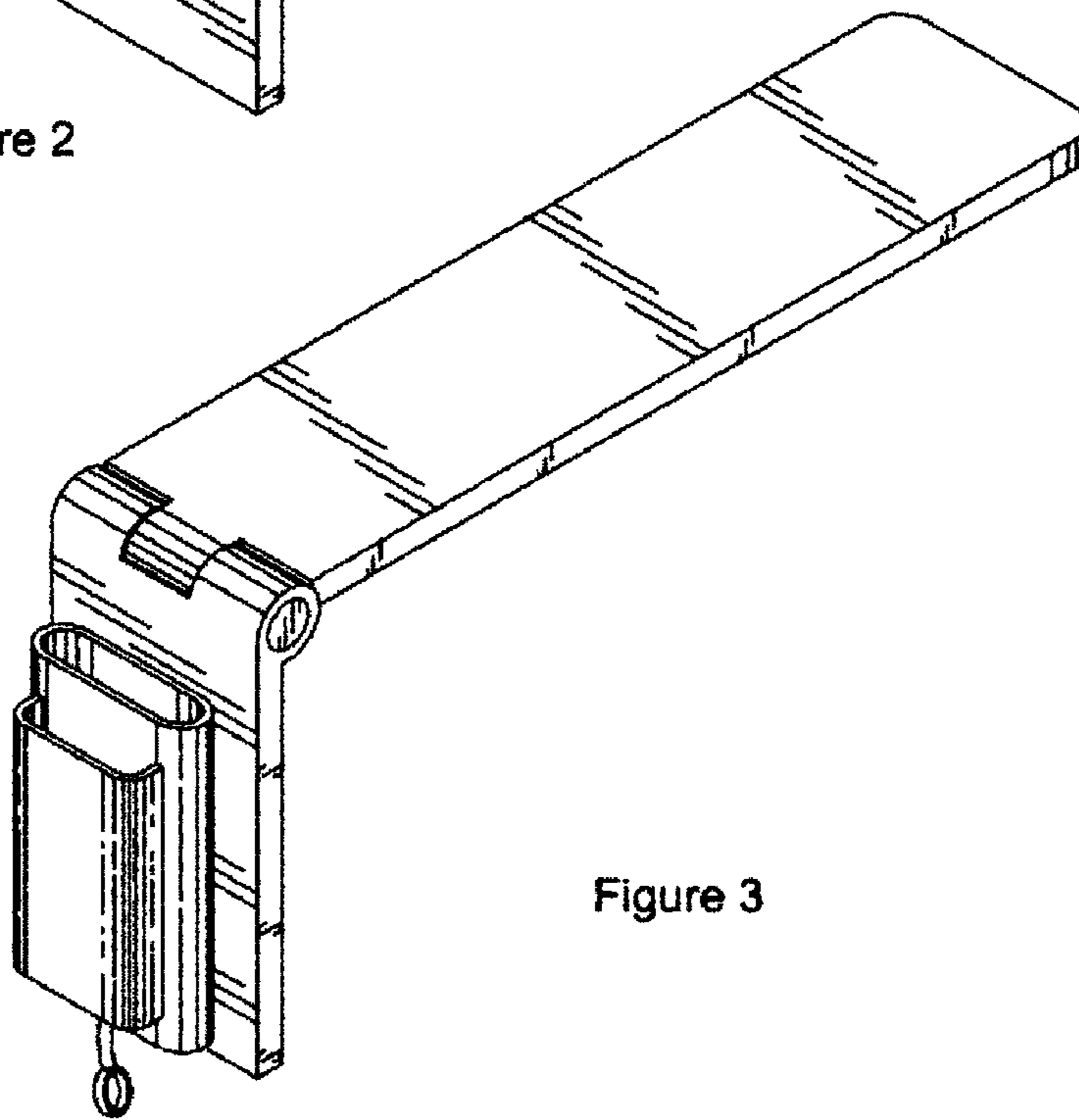


Figure 3

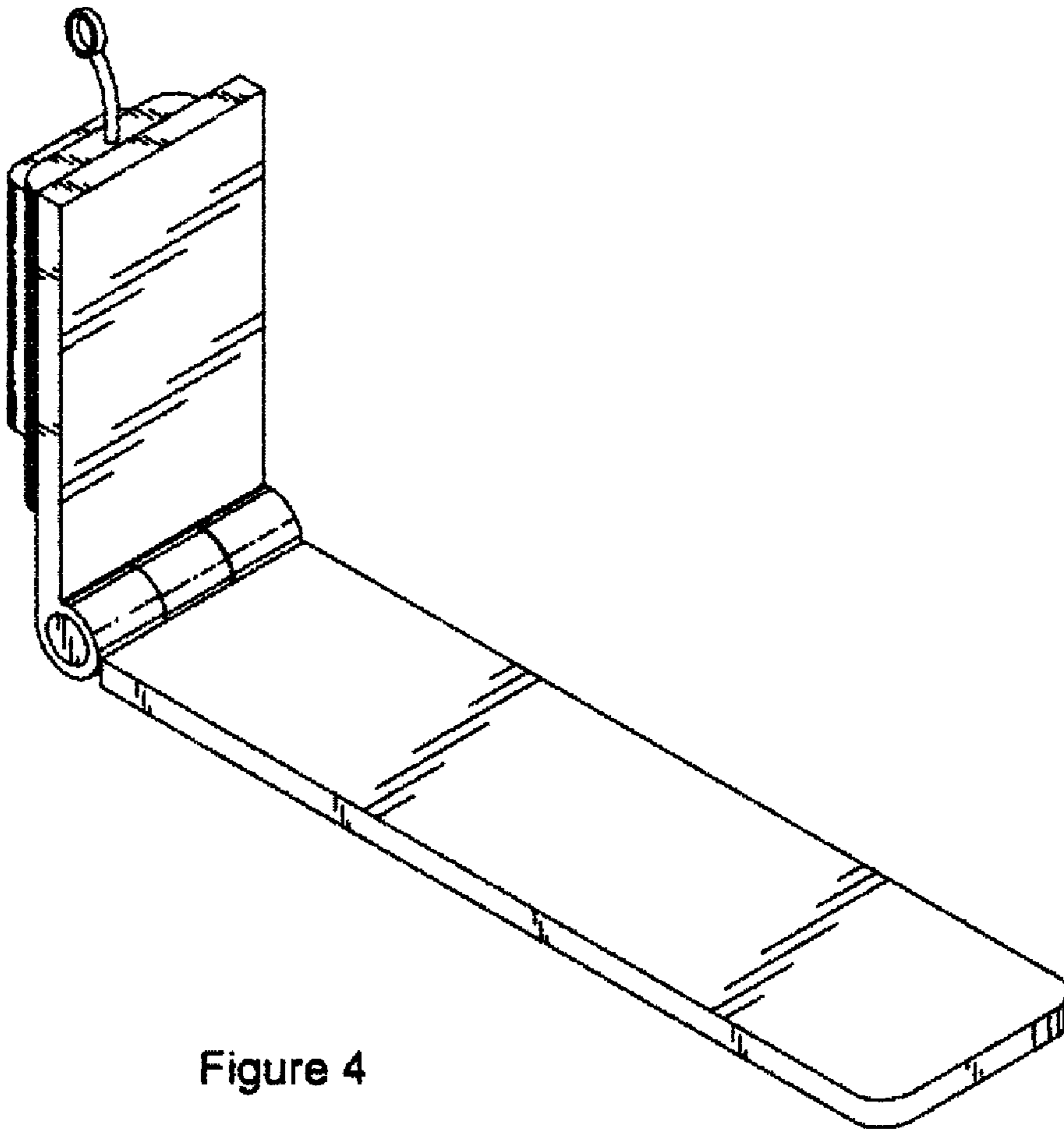


Figure 4

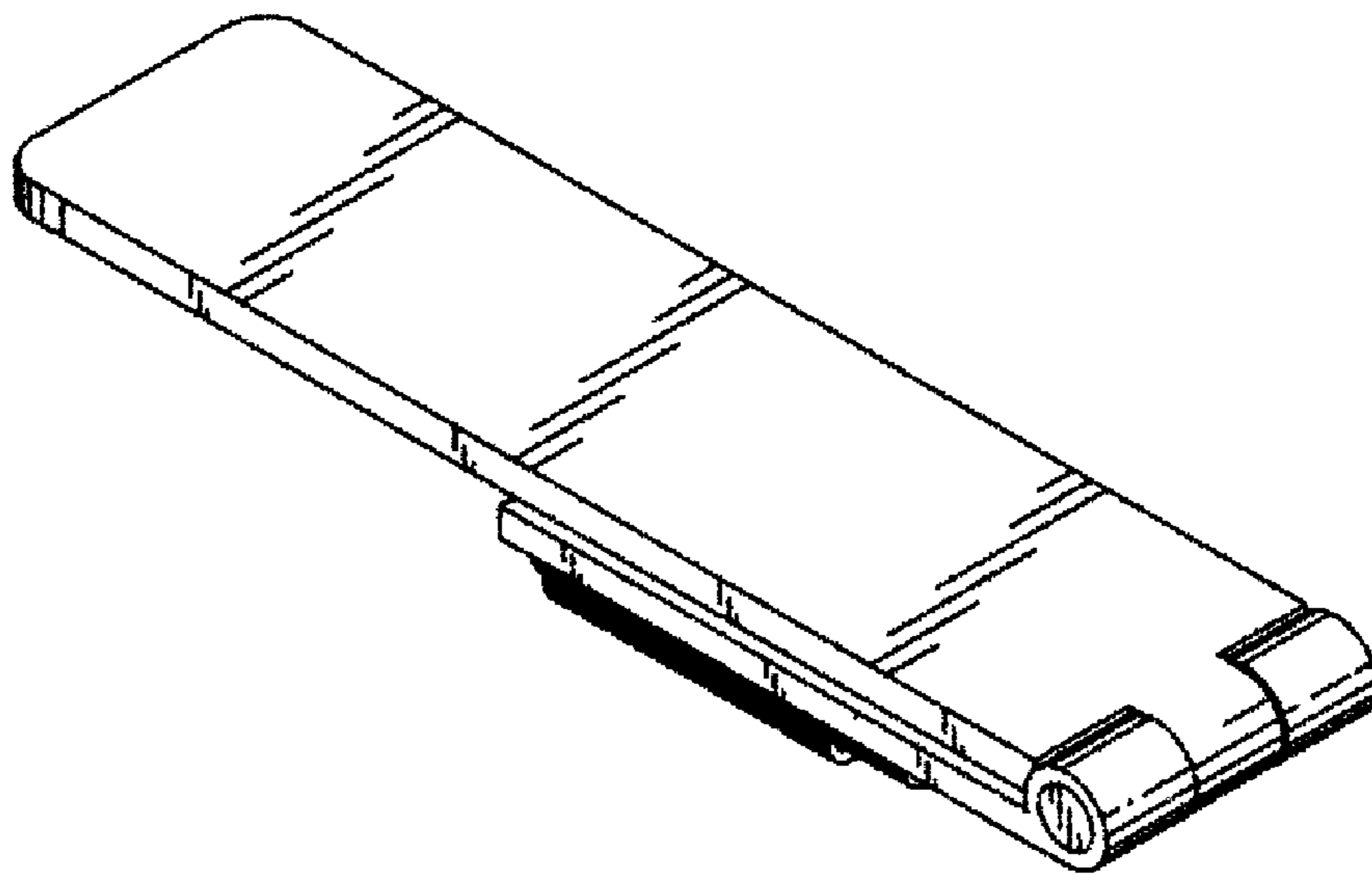


Figure 5