



US00D657138S

(12) **United States Design Patent**
Wetzel

(10) **Patent No.:** **US D657,138 S**

(45) **Date of Patent:** **** Apr. 10, 2012**

(54) **BELT-WEARABLE HOOK**

(76) Inventor: **David B. Wetzel**, Laguna Beach, CA
(US)

(**) Term: **14 Years**

(21) Appl. No.: **29/383,500**

(22) Filed: **Jan. 18, 2011**

(51) **LOC (9) Cl.** **03-01**

(52) **U.S. Cl.** **D3/228**

(58) **Field of Classification Search** D3/228,
D3/215, 221, 224; 224/268–269, 247–248,
224/234, 673, 667, 669, 677–679, 904, 255,
224/576; D25/12, 62, 68; 206/372–374;
D8/395

See application file for complete search history.

(56) **References Cited**

U.S. PATENT DOCUMENTS

D169,635	S	*	5/1953	Richards	D25/68
D169,636	S	*	5/1953	Richards	D25/68
D169,637	S	*	5/1953	Richards	D25/68
3,155,298	A	*	11/1964	Brown	224/268
3,285,482	A	*	11/1966	Bedsaul, Sr.	224/269
4,457,462	A	*	7/1984	Taormina	224/269
4,919,317	A	*	4/1990	Luedtke	224/576
5,687,892	A	*	11/1997	Johns	224/268

D581,657 S * 12/2008 Rice D3/228

* cited by examiner

Primary Examiner — Catheri Oliver

(74) *Attorney, Agent, or Firm* — QuickPatents, Inc.; Kevin Prince

(57) **CLAIM**

What is claimed is the ornamental design for a belt-wearable hook, as shown and described.

DESCRIPTION

FIG. 1 is a perspective view of a belt-wearable hook, showing a first embodiment of the new design;

FIG. 2 is a front elevational view thereof;

FIG. 3 is a rear elevational view thereof;

FIG. 4 is a right-side elevational view thereof, the left-side elevational view being a mirror image thereof;

FIG. 5 is a top plan view thereof;

FIG. 6 is a bottom plan view thereof;

FIG. 7 is a perspective view of a second embodiment thereof;

FIG. 8 is a front elevational view of FIG. 7, the rear elevational view being identical to FIG. 3;

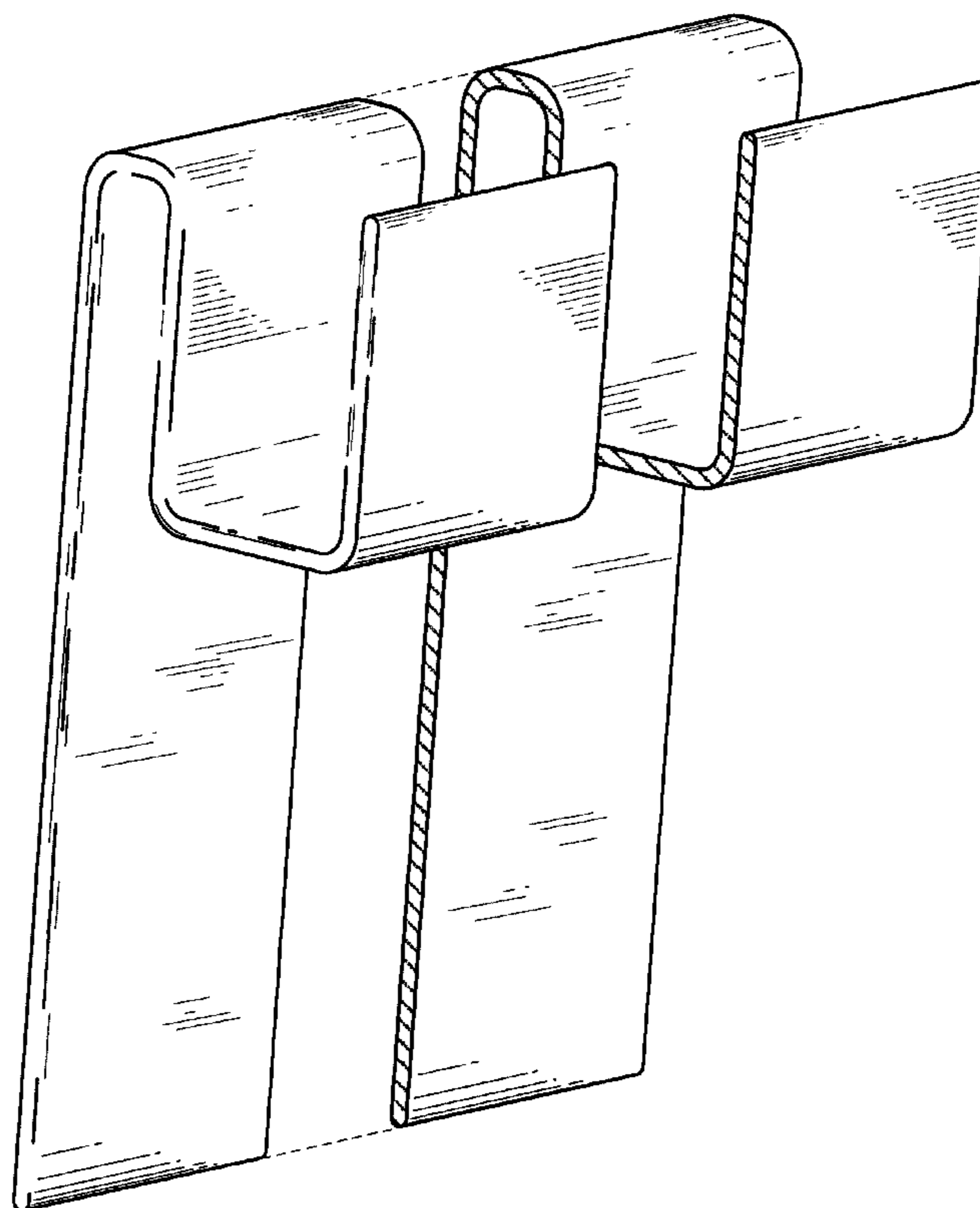
FIG. 9 is a right-side elevational view of FIG. 7, the left-side elevational view being a mirror image thereof;

FIG. 10 is a top plan view of FIG. 7; and,

FIG. 11 is a bottom plan view of FIG. 7.

The broken lines in the figures denote that the design is of indeterminate length.

1 Claim, 5 Drawing Sheets



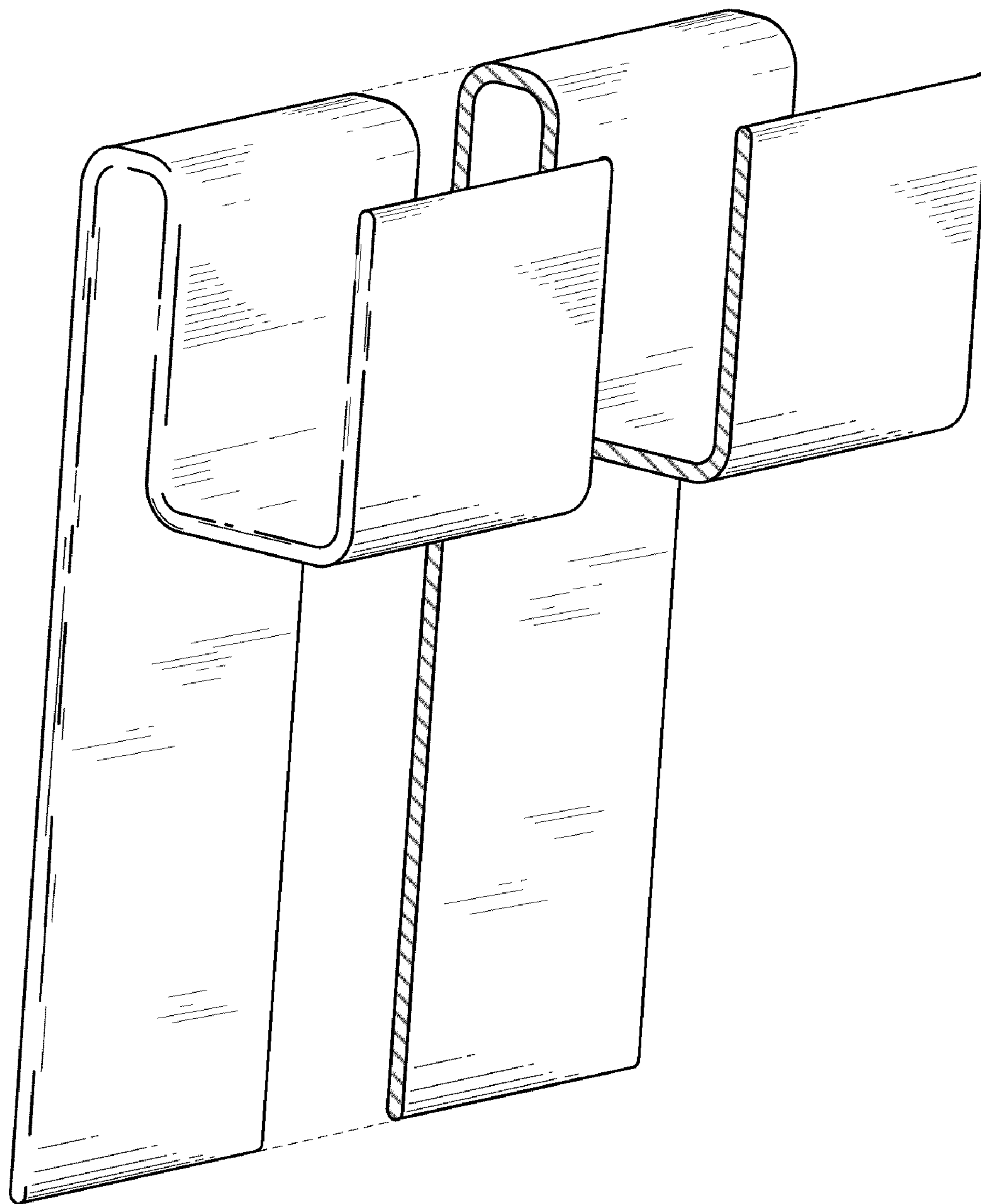


FIG. 1

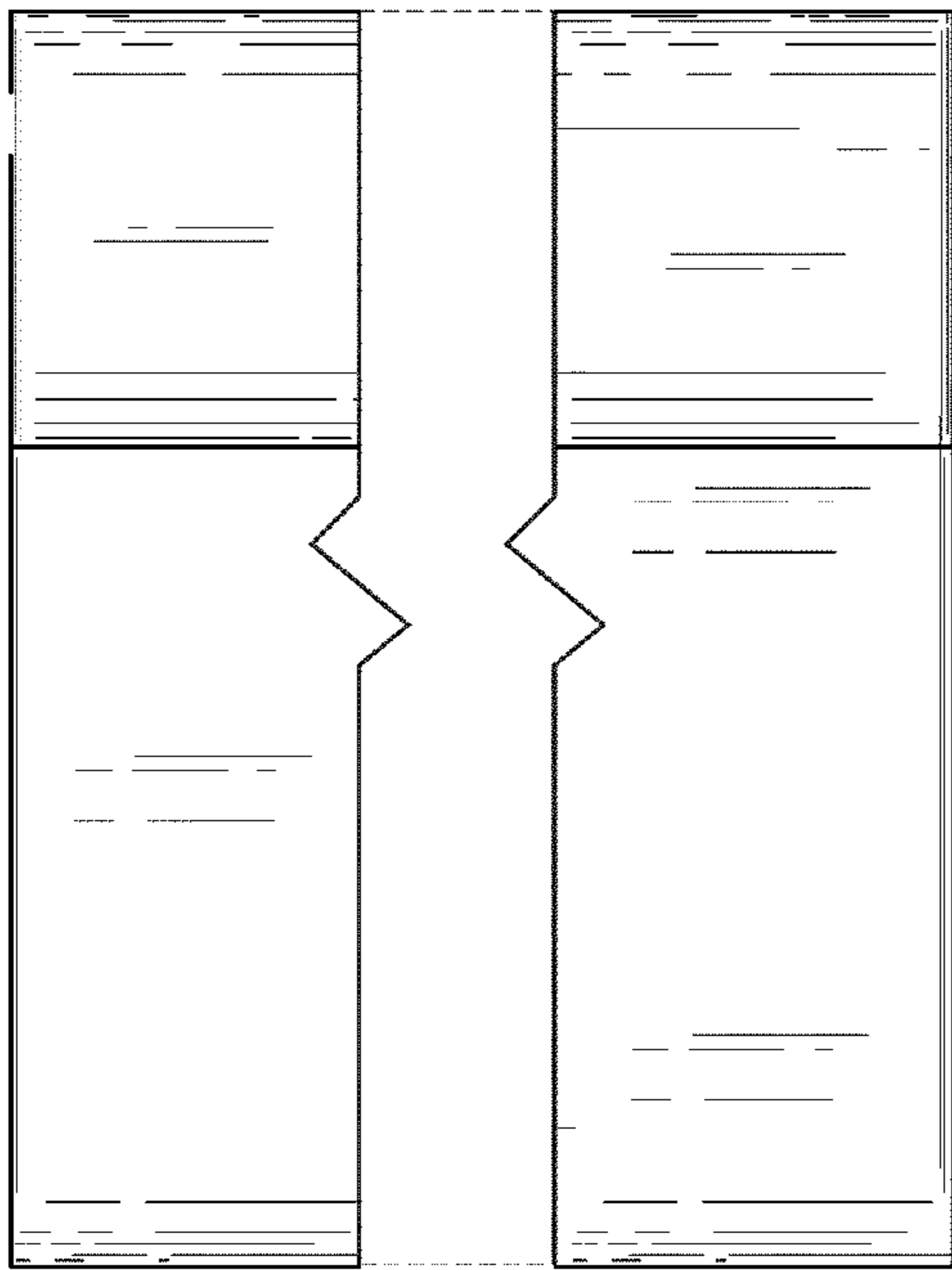


FIG. 2

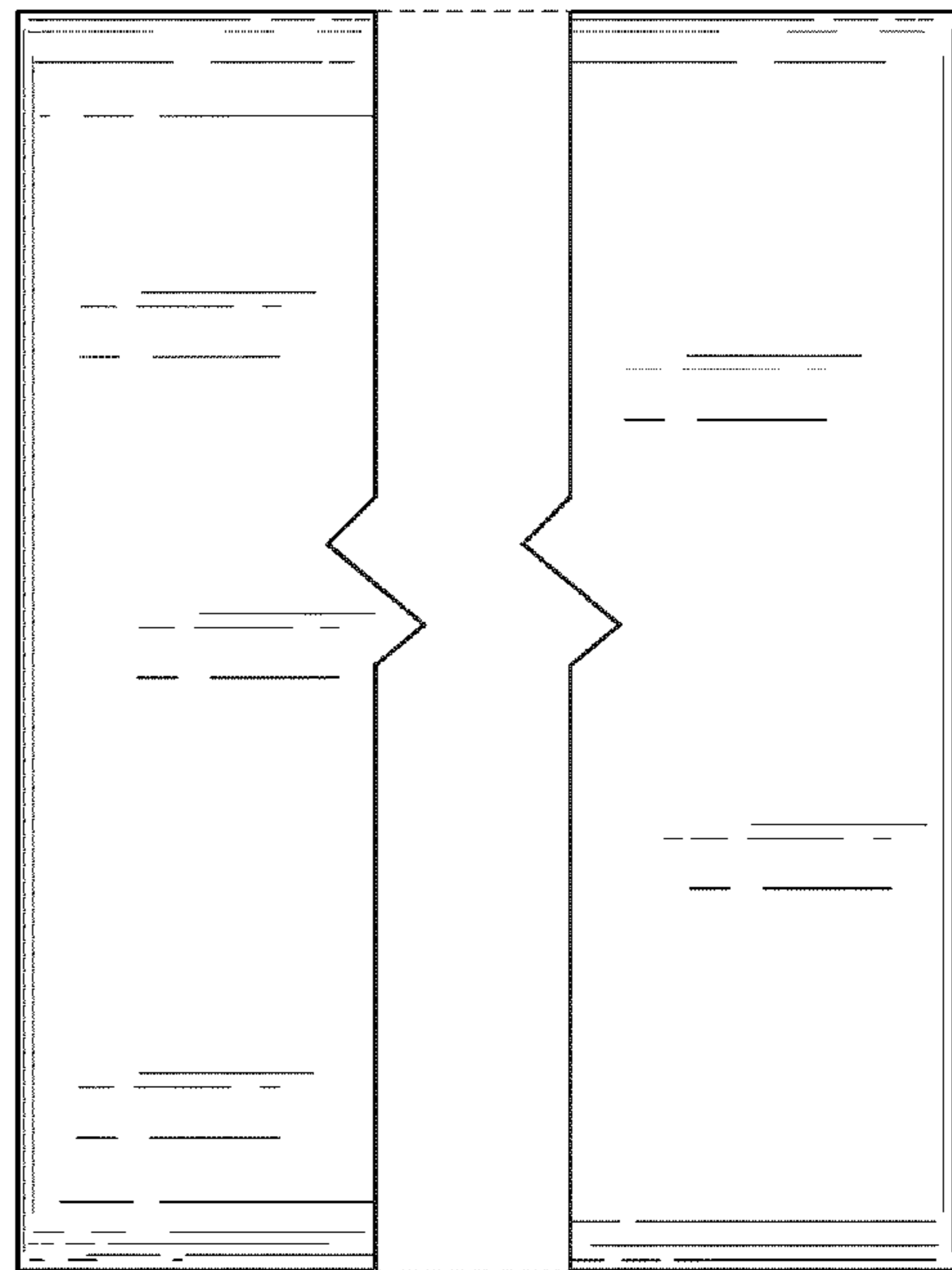


FIG. 3

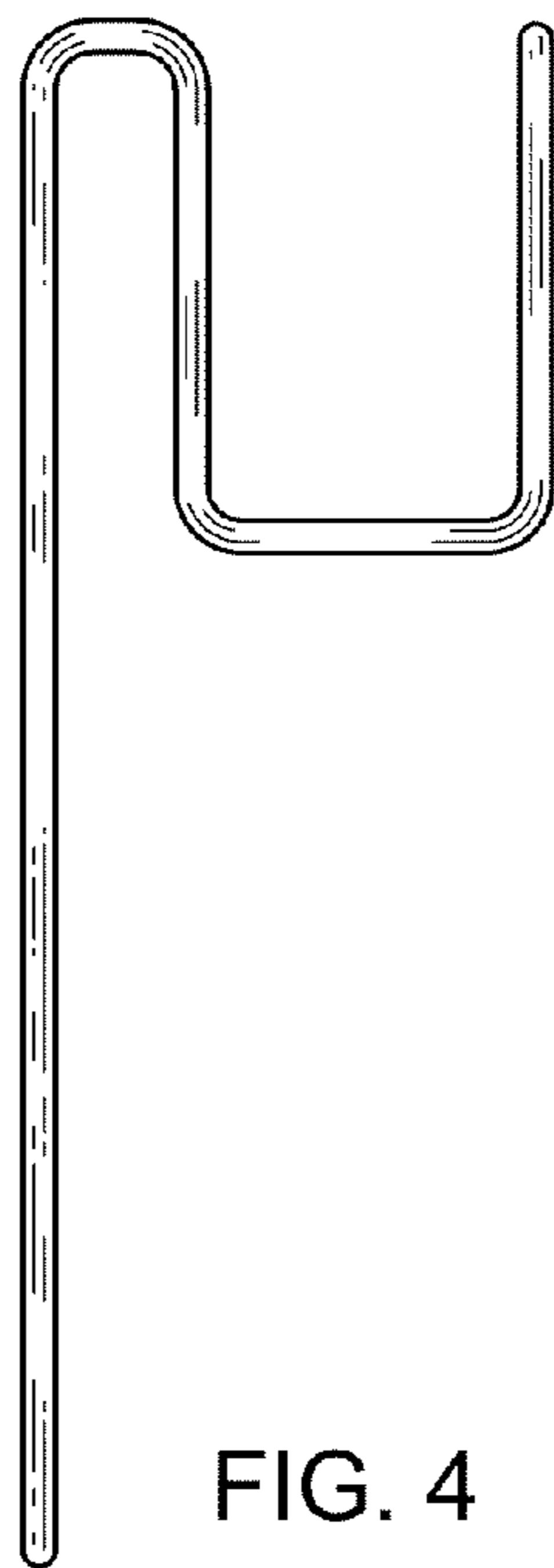


FIG. 4

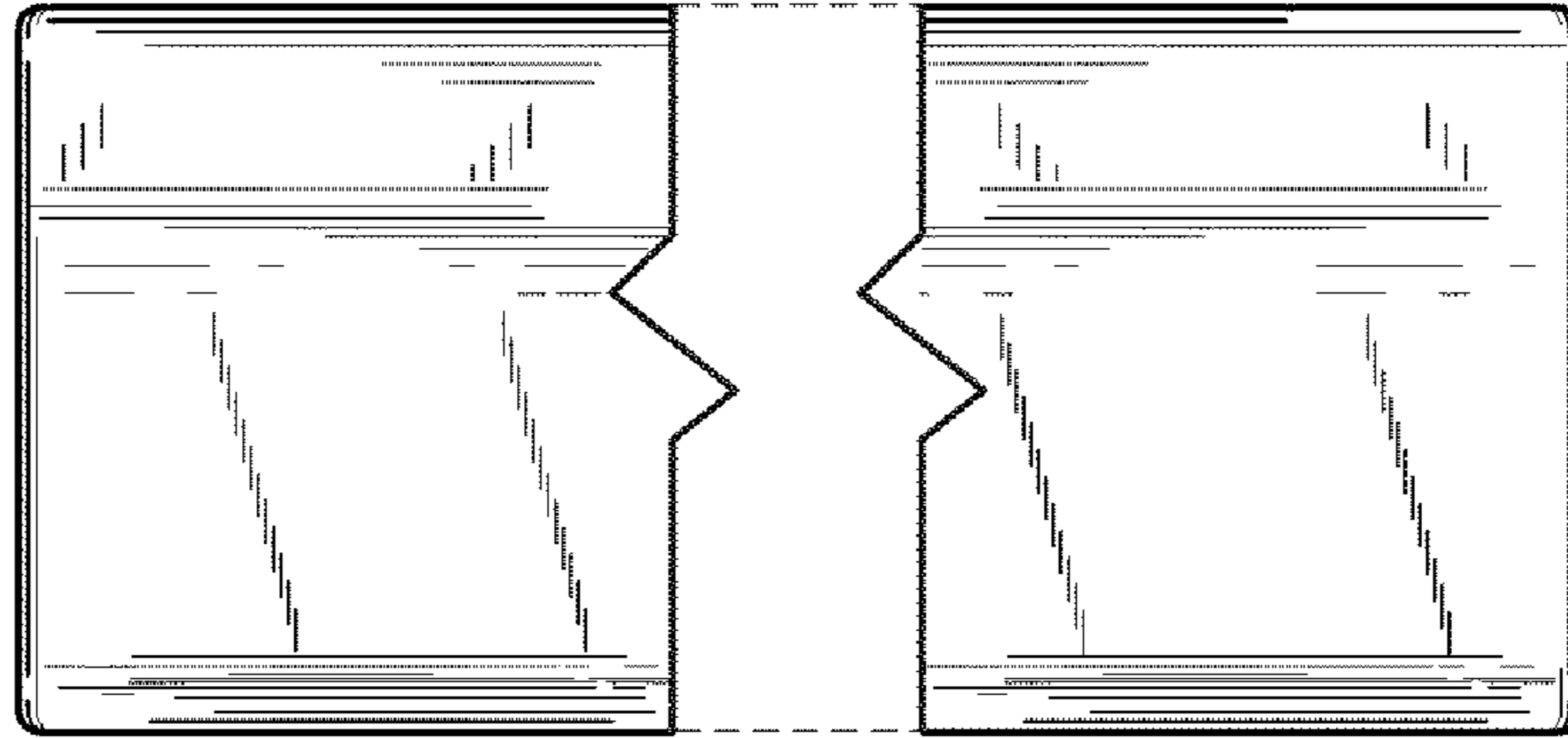


FIG. 5

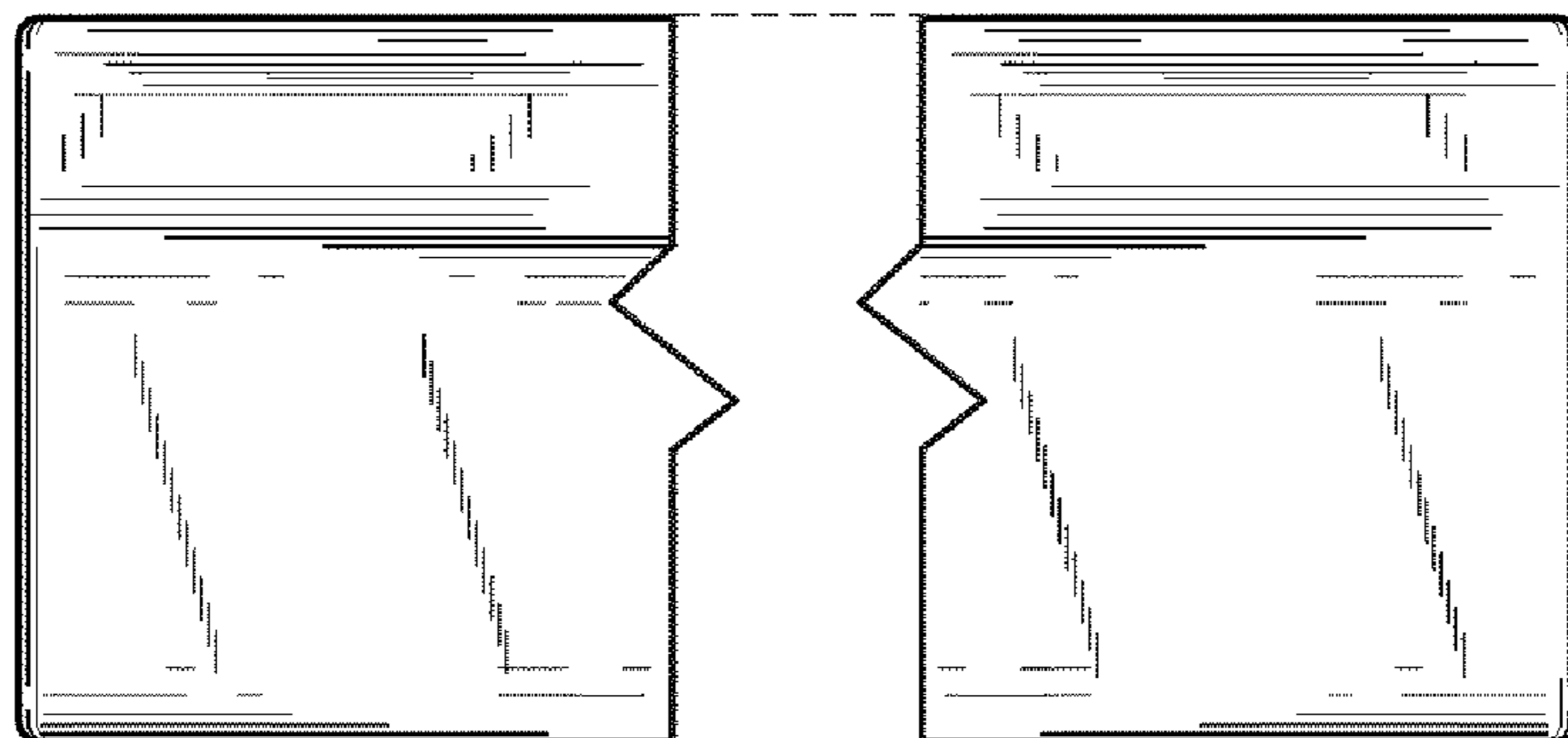


FIG. 6

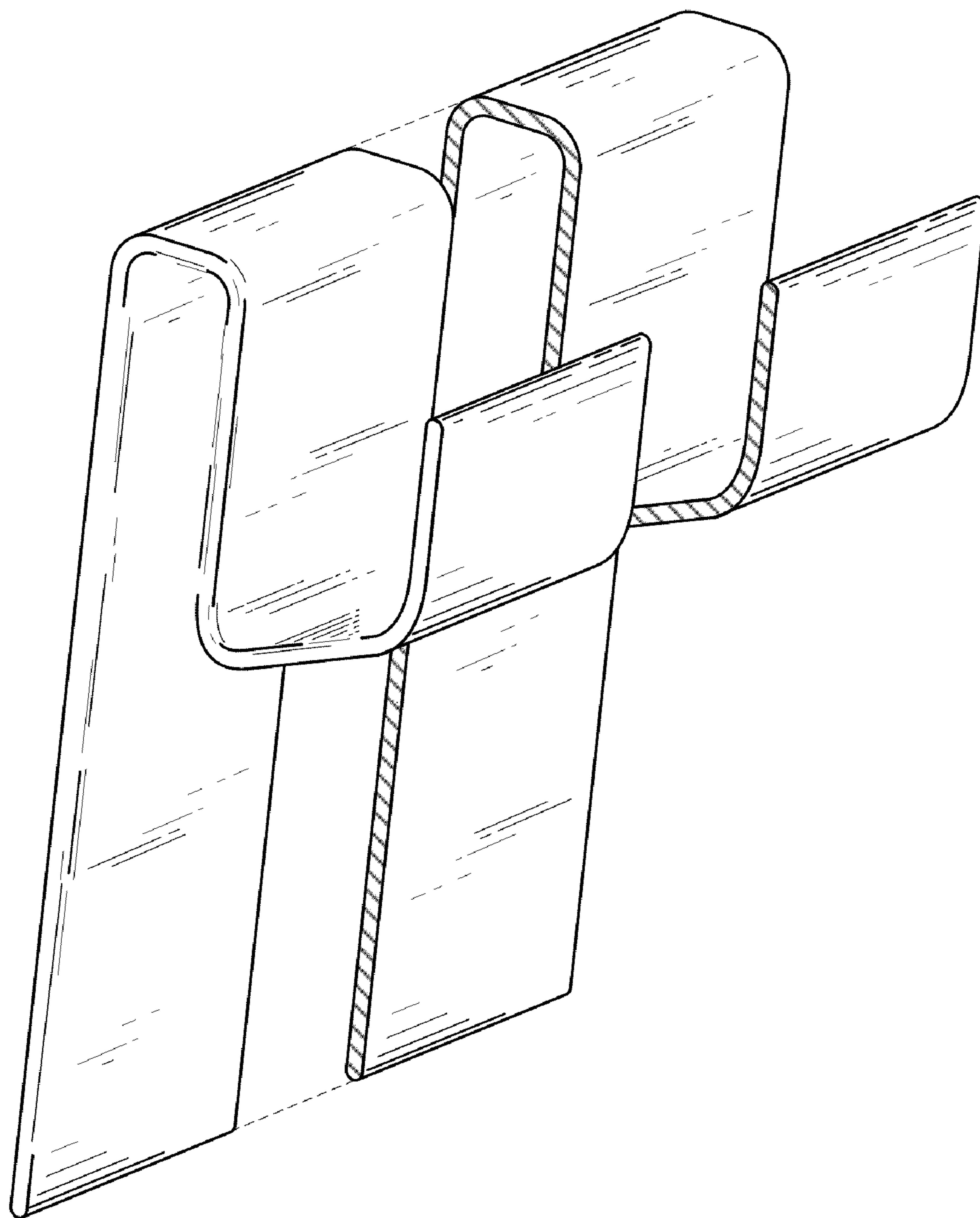


FIG. 7

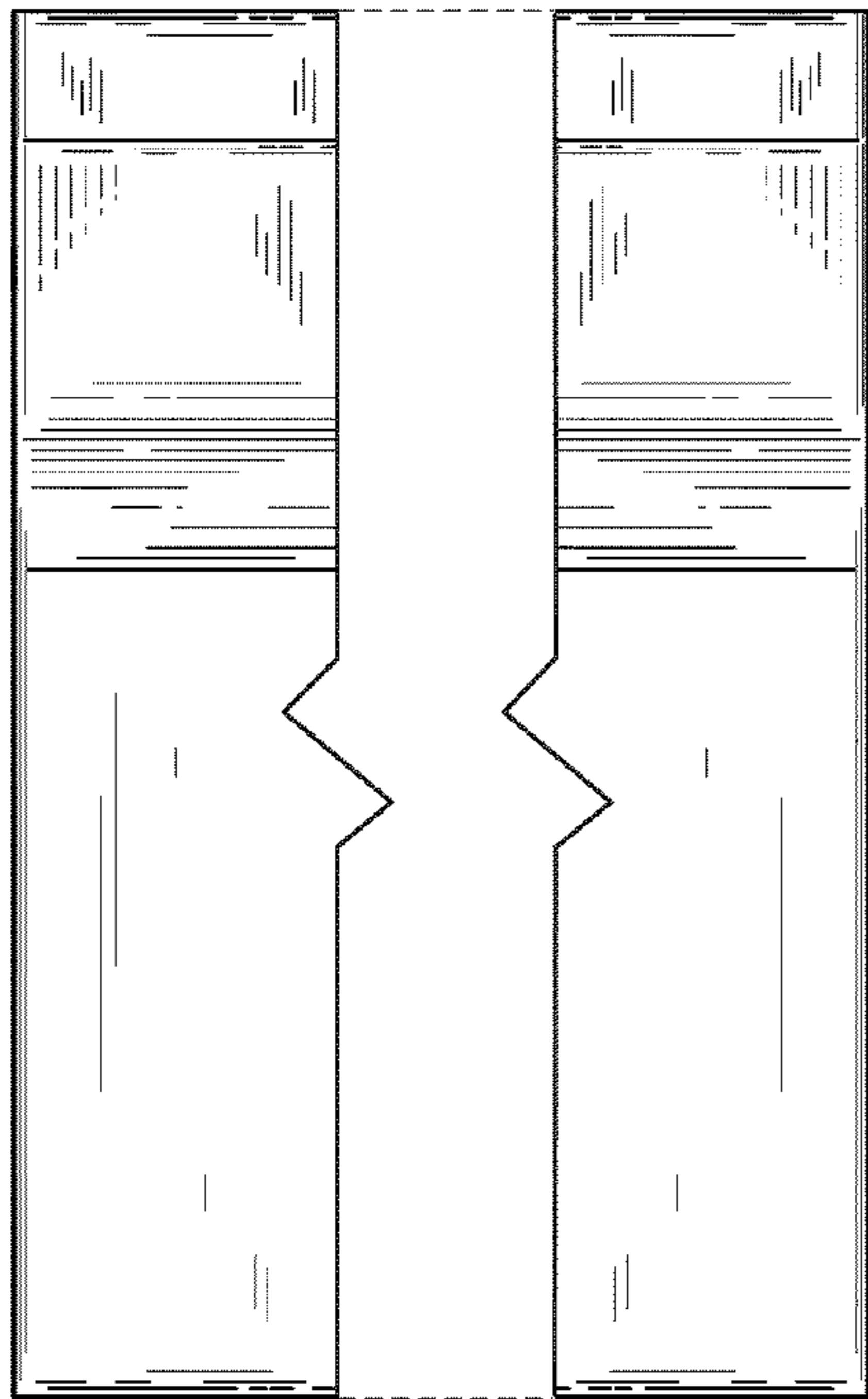


FIG. 8

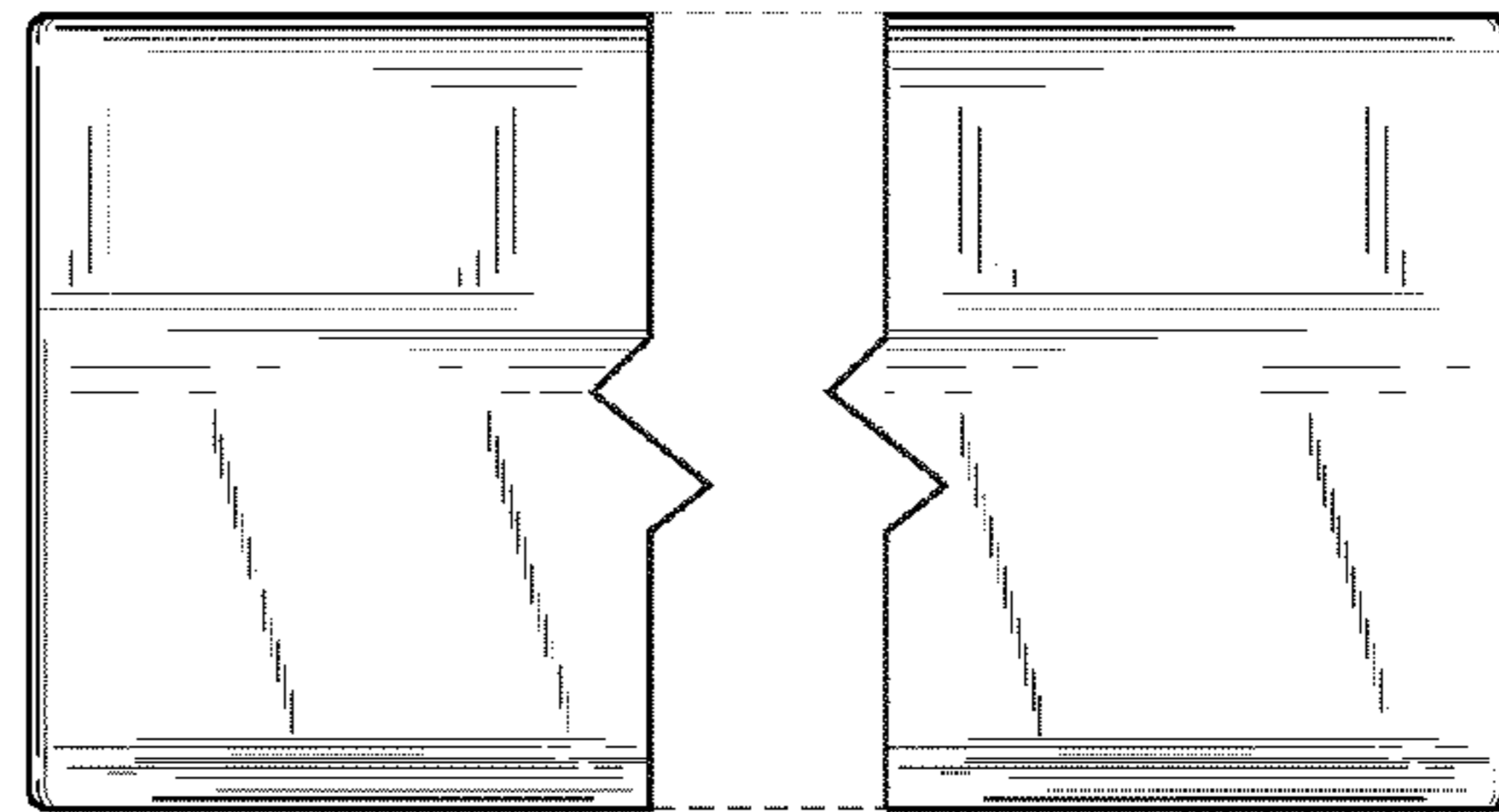


FIG. 10

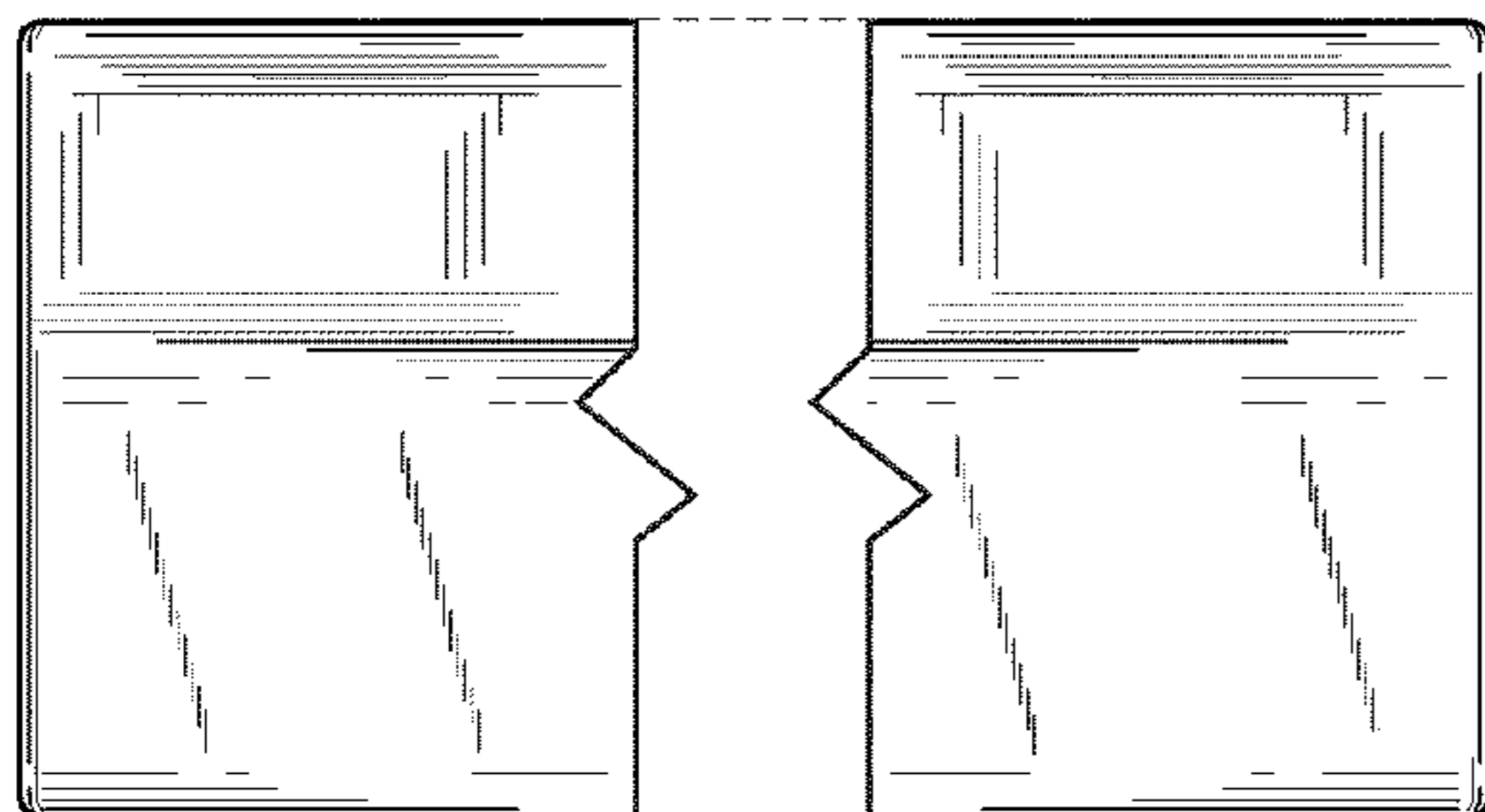


FIG. 11

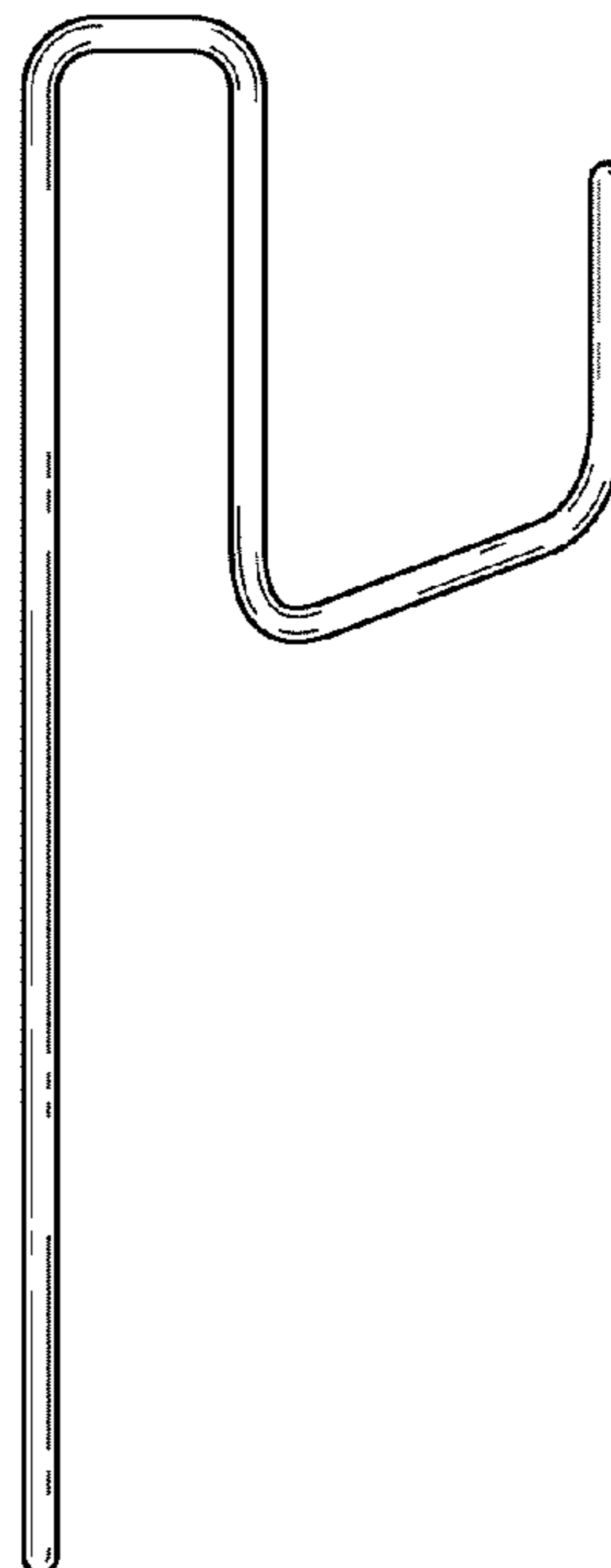


FIG. 9