



US00D657136S

(12) **United States Design Patent**
Kinskey et al.

(10) **Patent No.:** **US D657,136 S**

(45) **Date of Patent:** **** Apr. 10, 2012**

(54) **CELL PHONE CASE**

(75) Inventors: **Terrence P Kinskey**, Alpharetta, GA (US); **Matthew G. Williams**, Lighthouse Point, FL (US)

(73) Assignee: **LF Centennial Limited**, Tortola (VG)

(**) Term: **14 Years**

(21) Appl. No.: **29/393,441**

(22) Filed: **Jun. 3, 2011**

(51) **LOC (9) Cl.** **03-01**

(52) **U.S. Cl.** **D3/218**

(58) **Field of Classification Search** D3/218,
D3/201, 215, 219, 224, 226, 228, 230, 303;
224/236–241, 269, 666–668, 647, 904, 250;
206/305, 320; 379/449, 428, 455; D14/496,
D14/156, 138, 250, 253

See application file for complete search history.

(56) **References Cited**

U.S. PATENT DOCUMENTS

D495,873	S	*	9/2004	Badillo et al.	D3/218
D549,958	S	*	9/2007	Boyd et al.	D3/218
D550,954	S	*	9/2007	Boyd et al.	D3/218
D550,955	S	*	9/2007	Boyd et al.	D3/218
D554,364	S	*	11/2007	Rugg	D3/218
D558,975	S	*	1/2008	Leo	D3/218
2007/0152008	A1	*	7/2007	Case	224/666

* cited by examiner

Primary Examiner — Catheri Oliver

(74) *Attorney, Agent, or Firm* — Duane Morris LLP; J. Rodman Steele; Gregory M. Lefkowitz

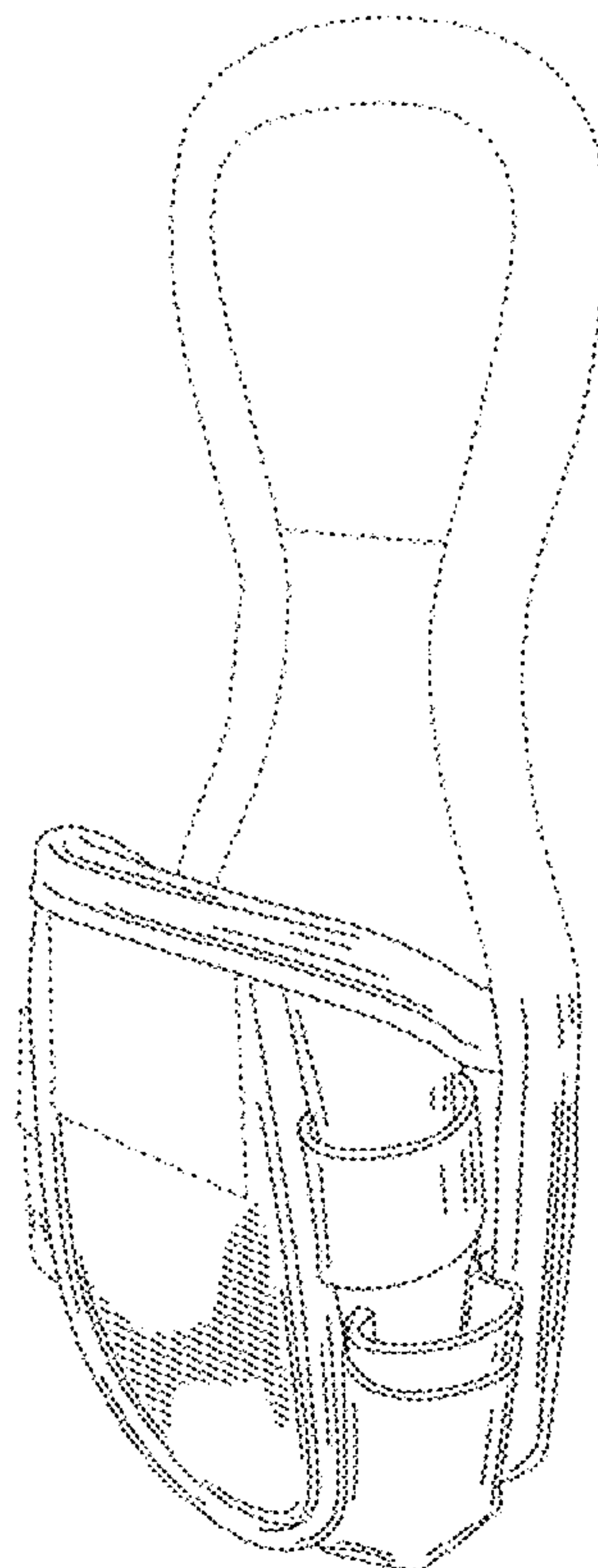
(57) **CLAIM**

The ornamental design for a cell phone case, as shown and described.

DESCRIPTION

FIG. 1 is a front perspective view of our ornamental design; FIG. 2 is a rear perspective view of our ornamental design; FIG. 3 is a front elevation view of the ornamental design of FIG. 1; FIG. 4 is a rear elevation view of the ornamental design of FIG. 1; FIG. 5 is a left side view of the ornamental design of FIG. 1; FIG. 6 is a right side view of the ornamental design of FIG. 1; FIG. 7 is a top view of the ornamental design of FIG. 1; FIG. 8 is a bottom view of the ornamental design of FIG. 1; FIG. 9 is a perspective view of the ornamental design in an open position; FIG. 10 is a top view of the ornamental design in the open position; and, FIG. 11 is a cross-sectional view of the ornamental design taken along cut line 11-11 in FIG. 7. The broken lines are included for purposes of illustrating environment and form no part of the claimed design.

1 Claim, 10 Drawing Sheets



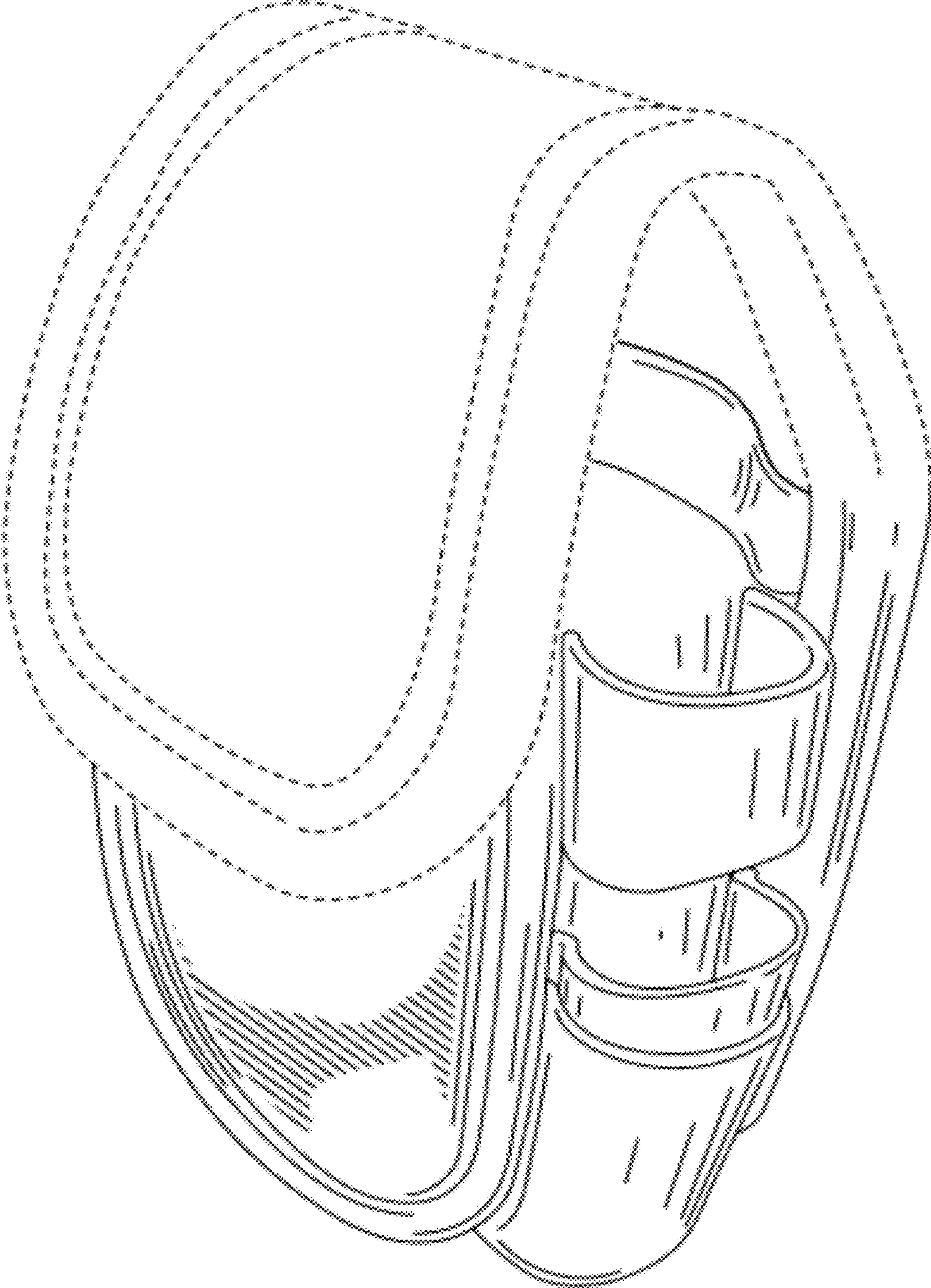


FIG. 1

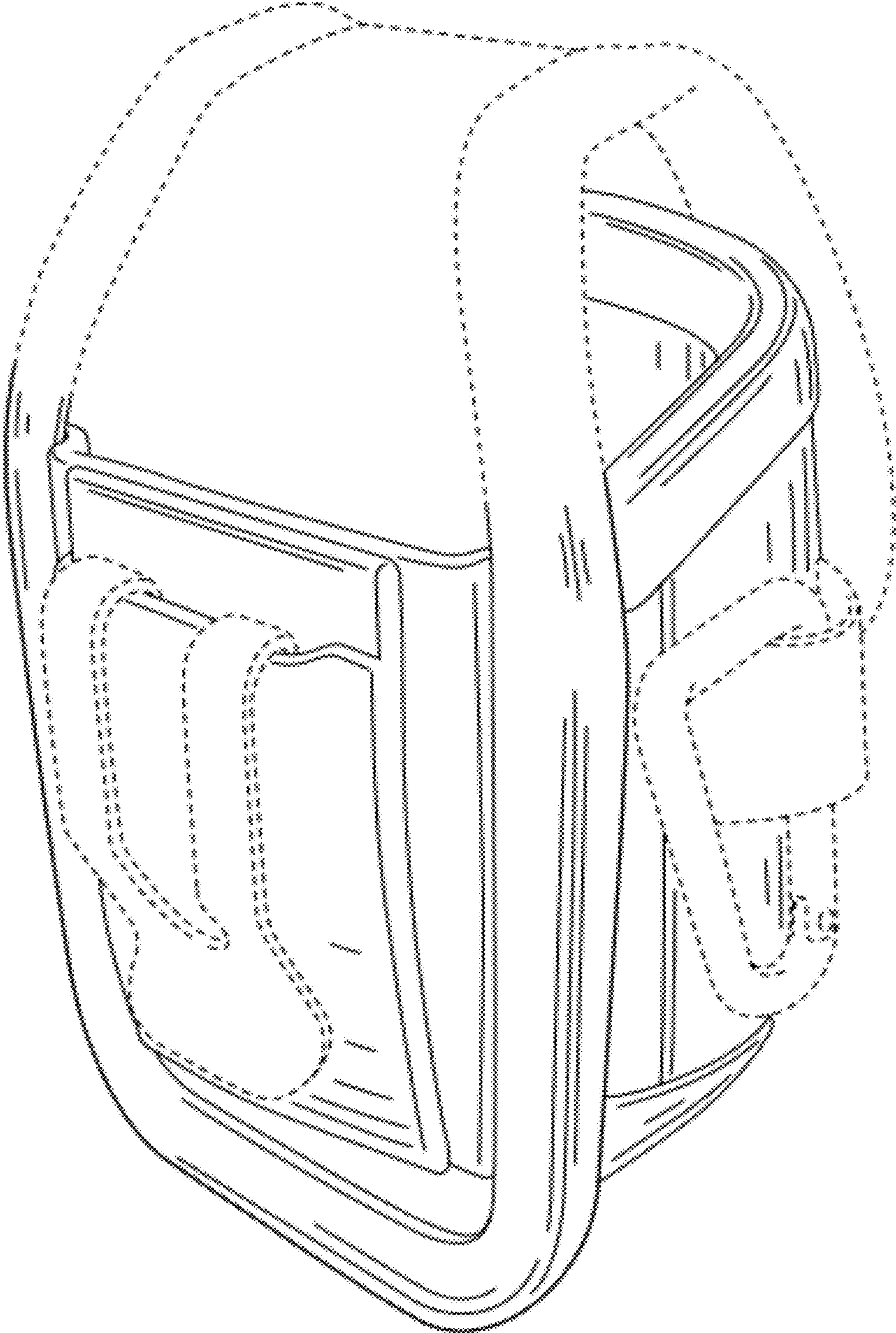


FIG. 2

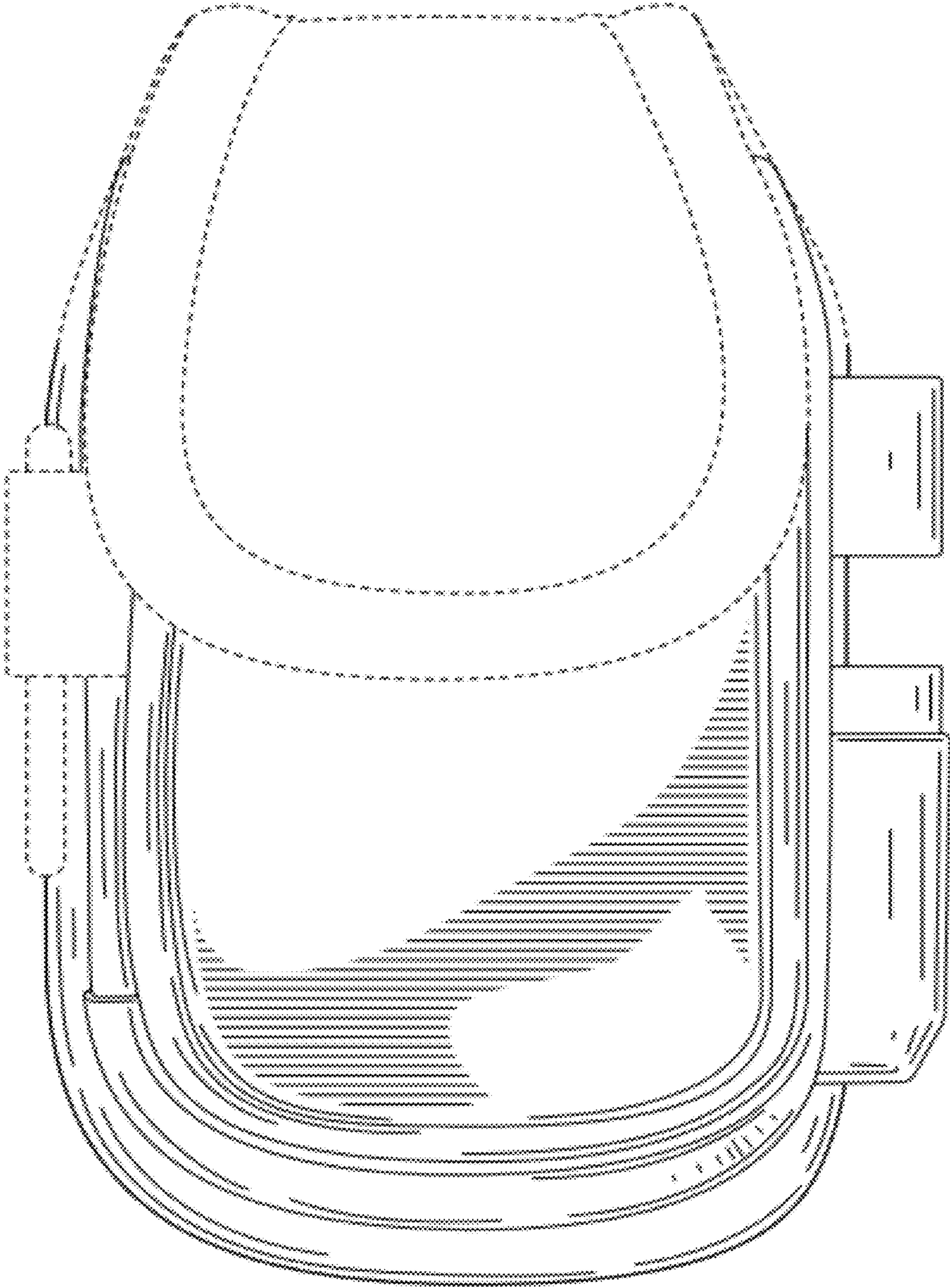


FIG. 3

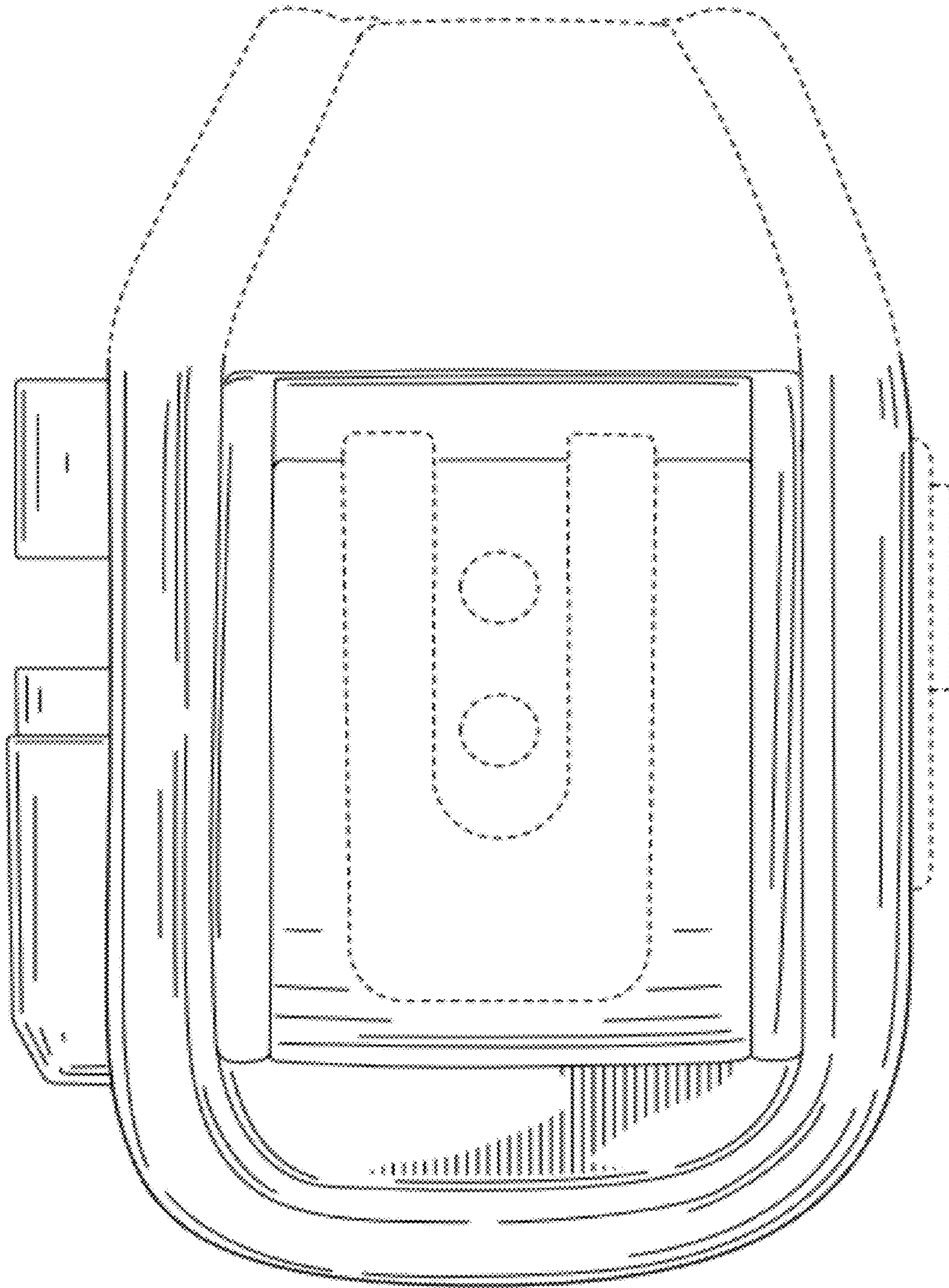


FIG. 4

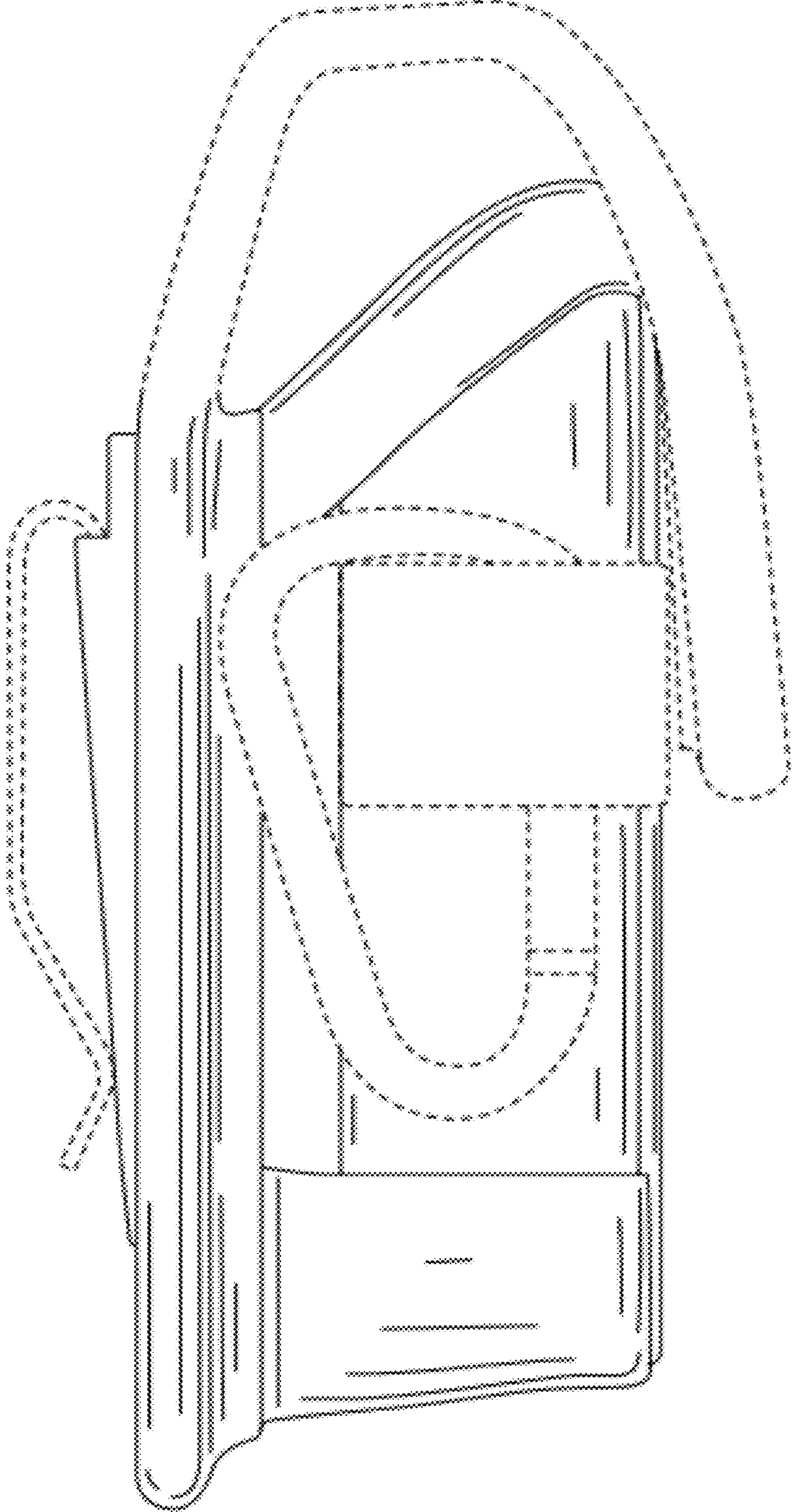


FIG. 5

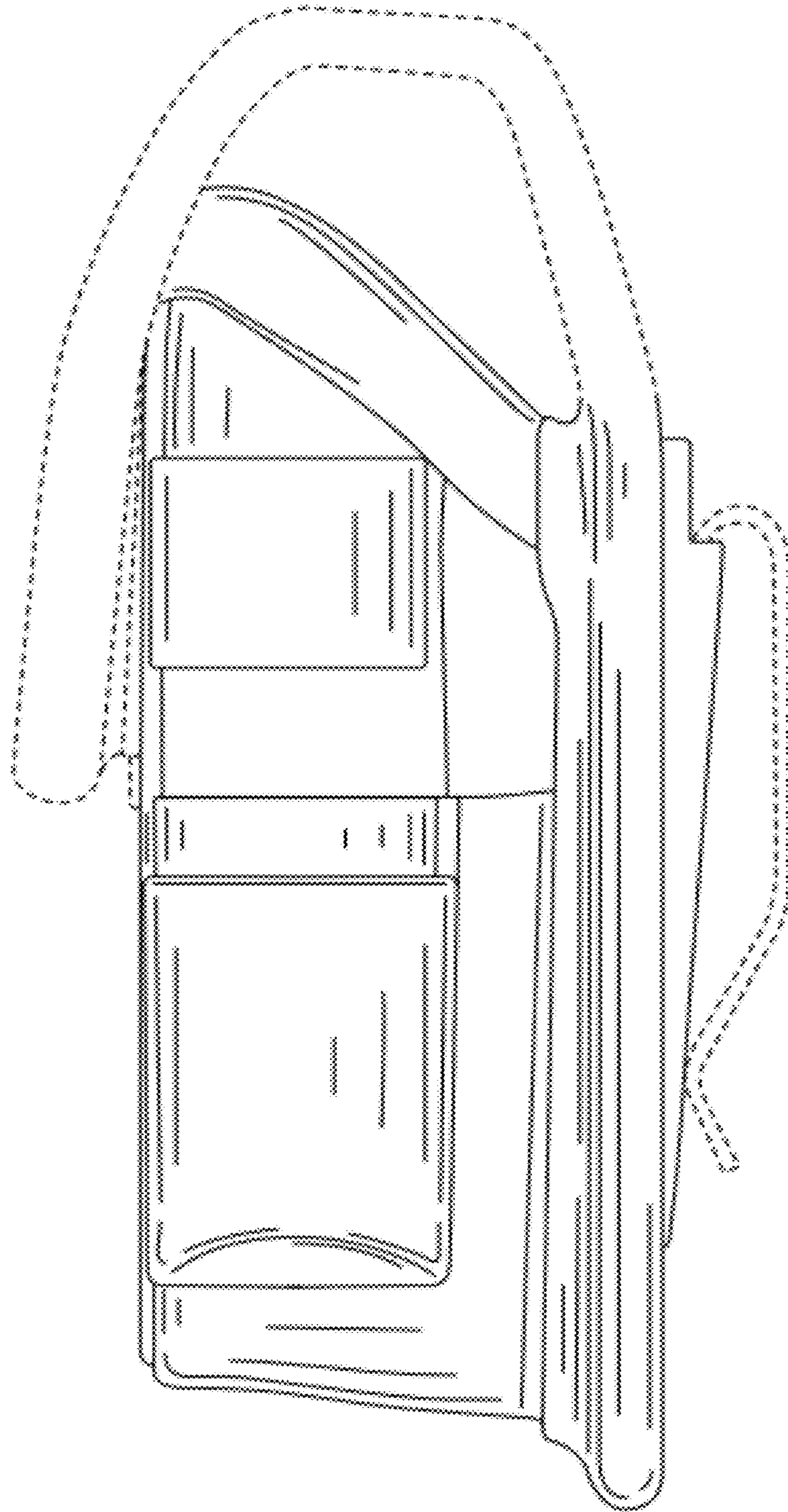
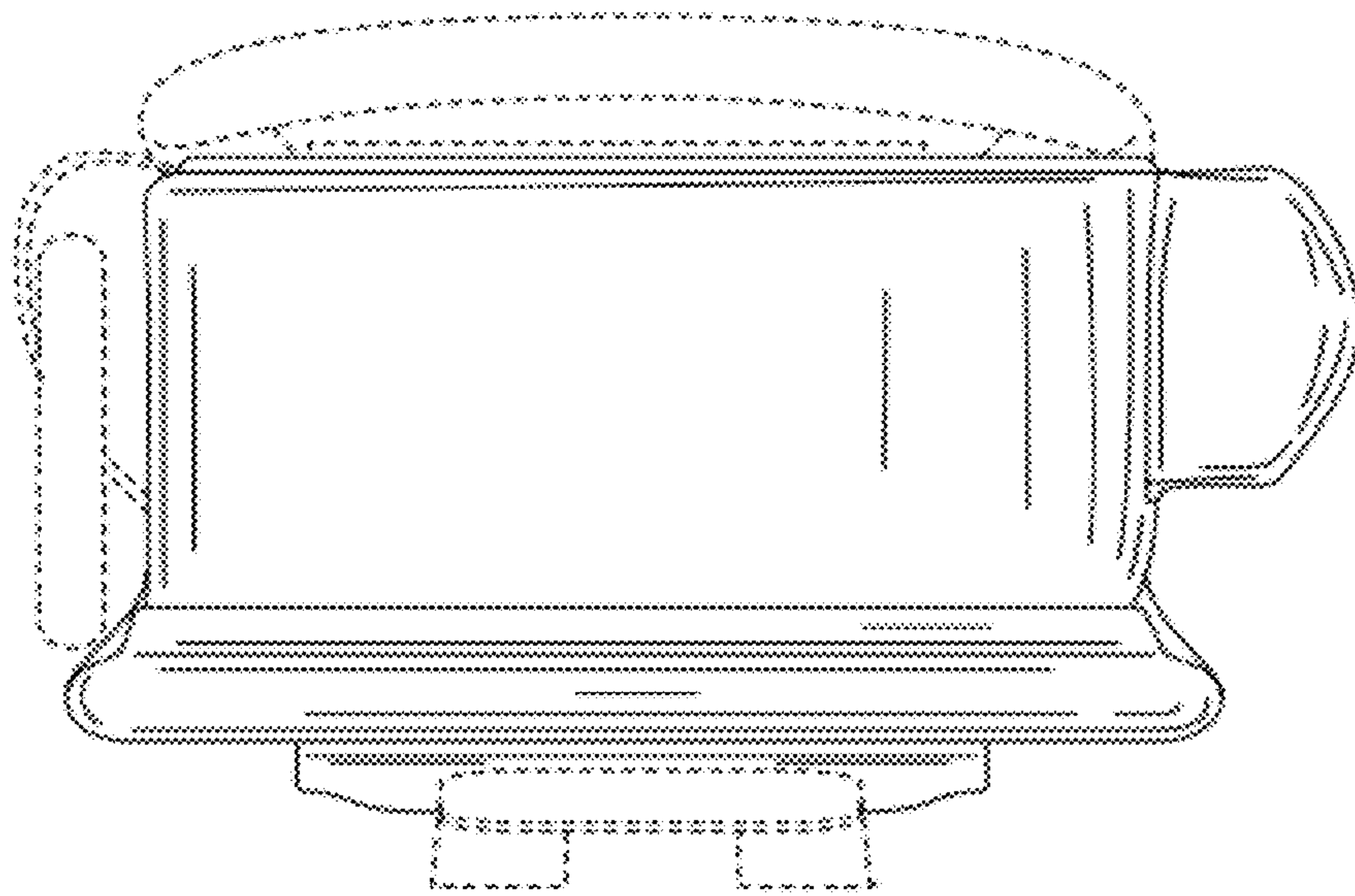
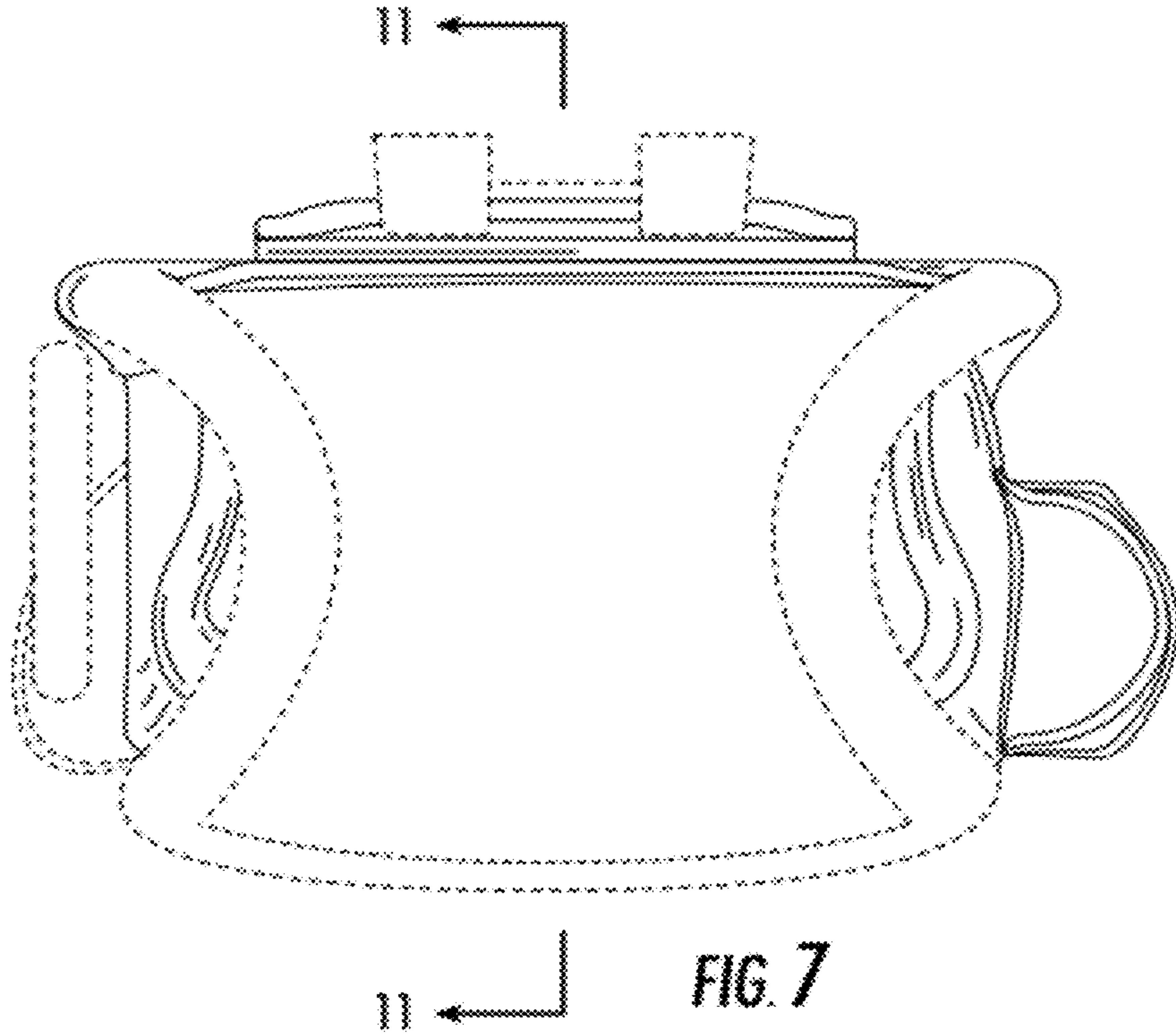


FIG. 6



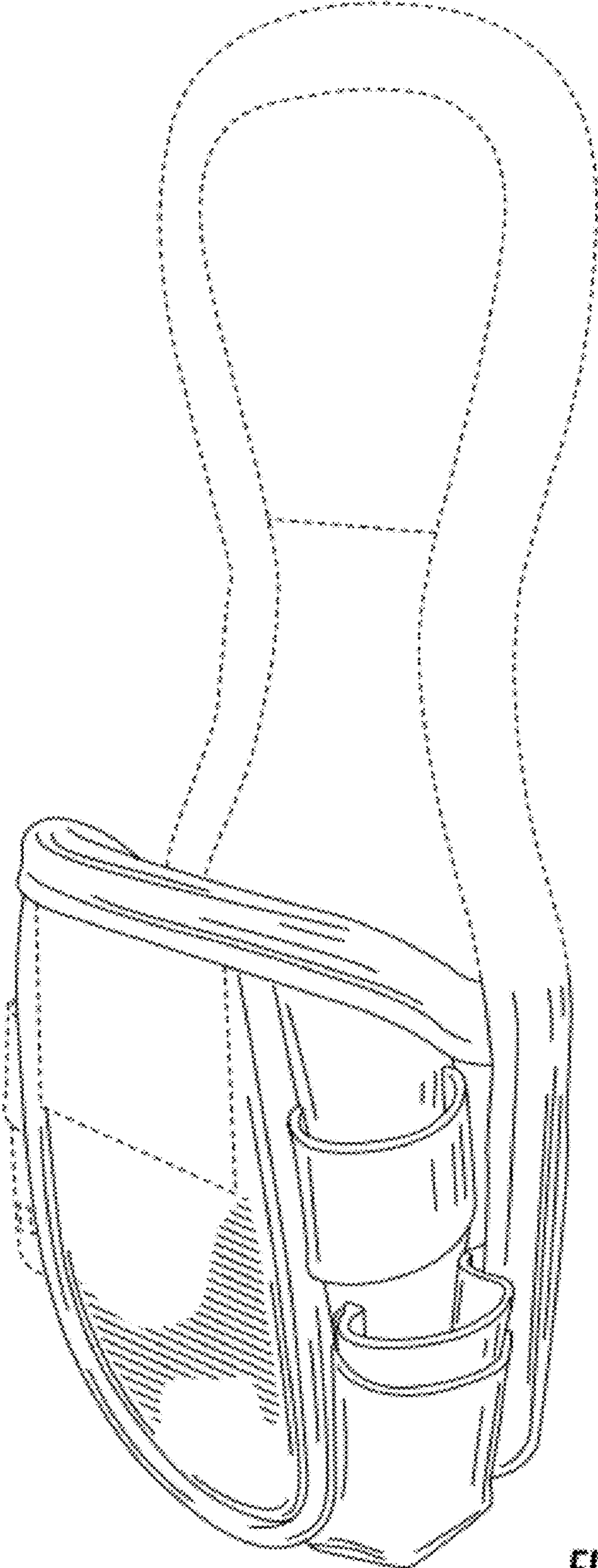


FIG. 9

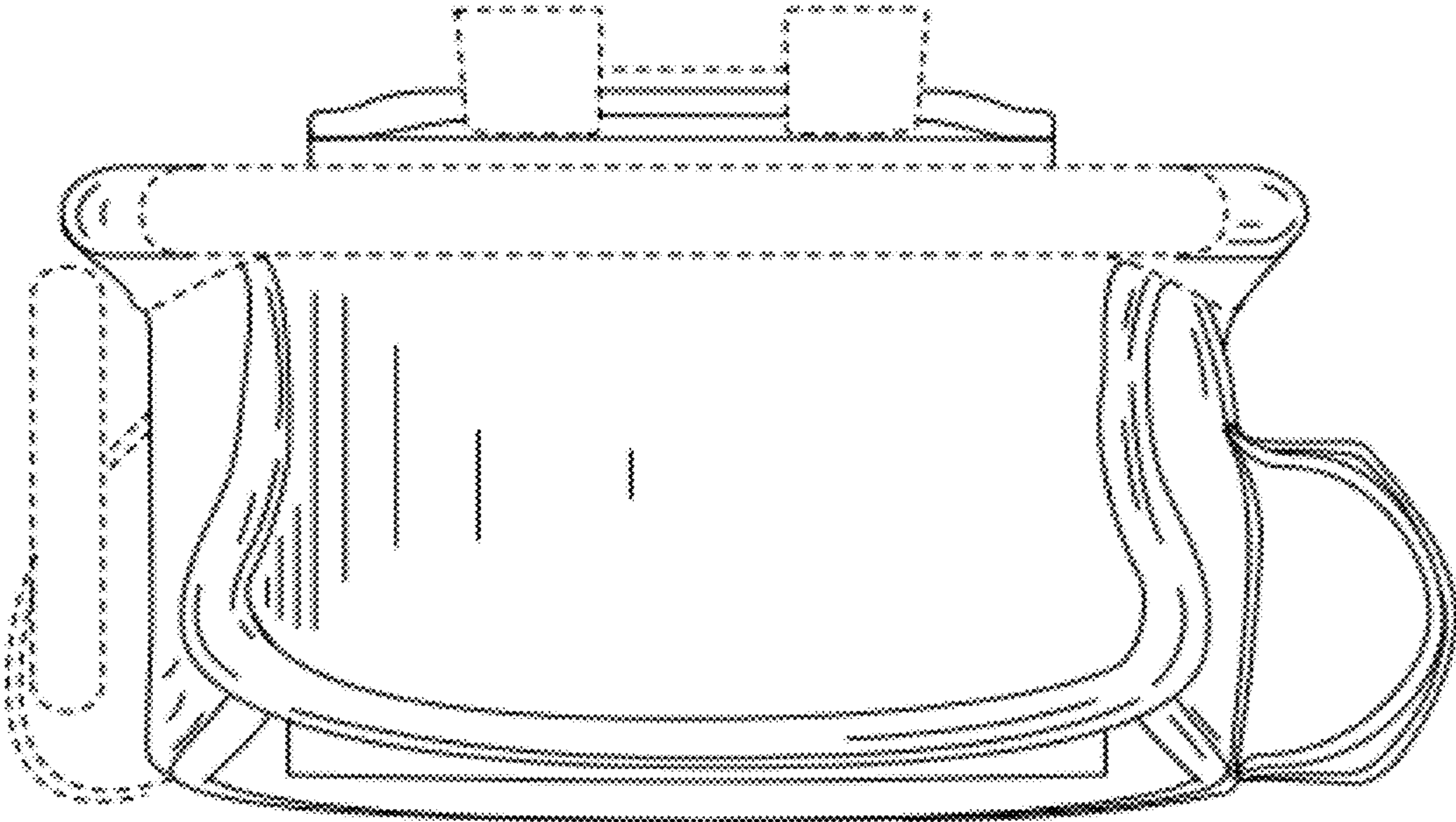


FIG. 10

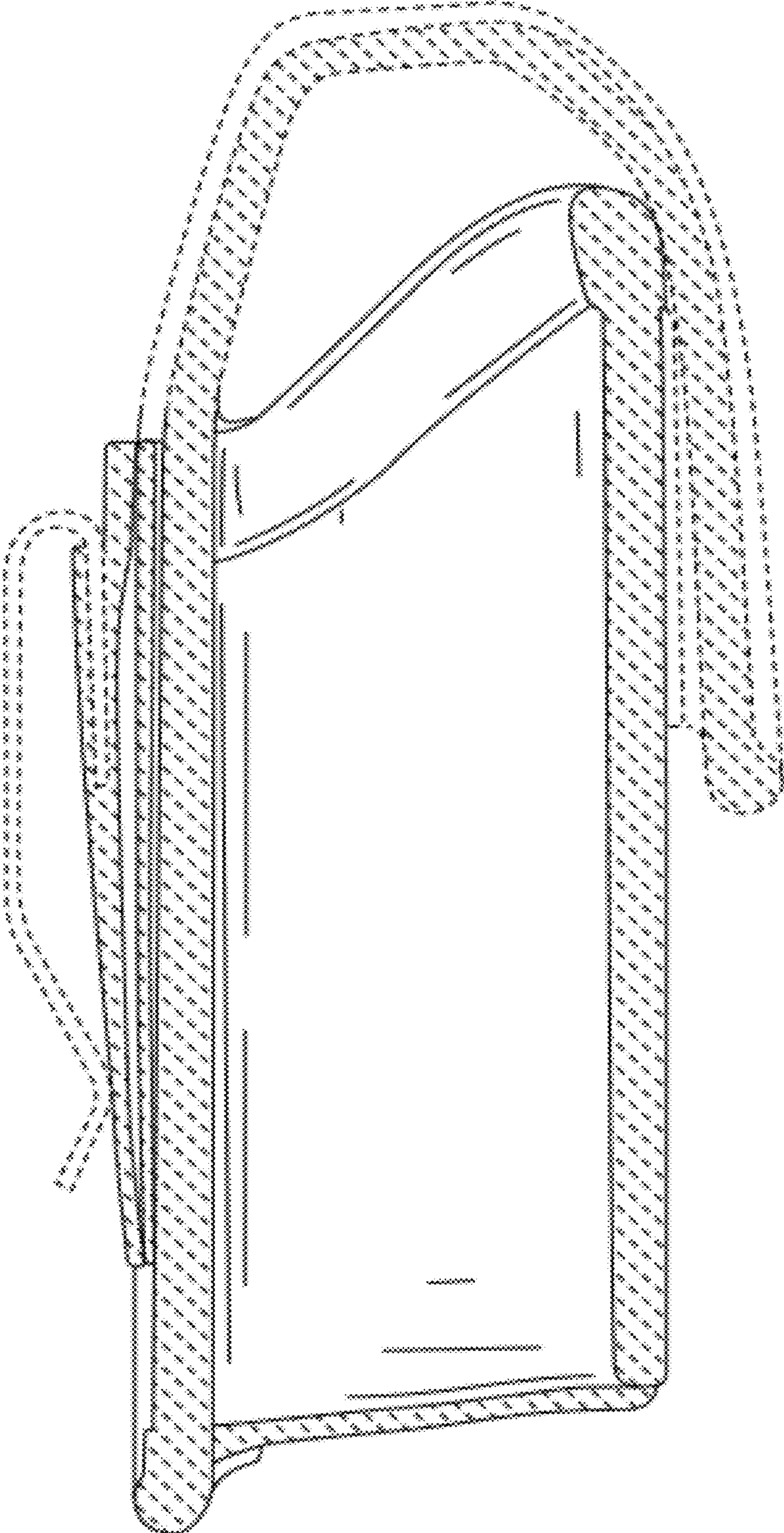


FIG. 11