

US00D657134S

(12) **United States Design Patent**  
**Tepper**

(10) **Patent No.:** **US D657,134 S**

(45) **Date of Patent:** **\*\* Apr. 10, 2012**

(54) **BOTTLE/CAN TETHERS**

(56) **References Cited**

(76) Inventor: **Gina Tepper**, Laurel, MD (US)

U.S. PATENT DOCUMENTS

(\*\*) Term: **14 Years**

3,947,927	A *	4/1976	Rosenthal	294/147
D356,379	S *	3/1995	Ibinger	D24/199
D357,801	S *	5/1995	Short	D3/215
5,613,657	A *	3/1997	Olaiz	248/102
5,664,712	A *	9/1997	Smrt	224/250
6,131,780	A *	10/2000	Becker	224/148.6
6,978,918	B2 *	12/2005	Scanlan et al.	224/148.6
D625,512	S *	10/2010	Blaney	D3/215

(21) Appl. No.: **29/373,888**

(22) Filed: **Jun. 4, 2011**

\* cited by examiner

**Related U.S. Application Data**

*Primary Examiner* — Catheri Oliver

(63) Continuation of application No. 12/156,053, filed on May 29, 2008, now abandoned.

(57) **CLAIM**

The ornamental design for bottle/can tethers, as shown.

(51) **LOC (9) Cl.** ..... **03-01**

**DESCRIPTION**

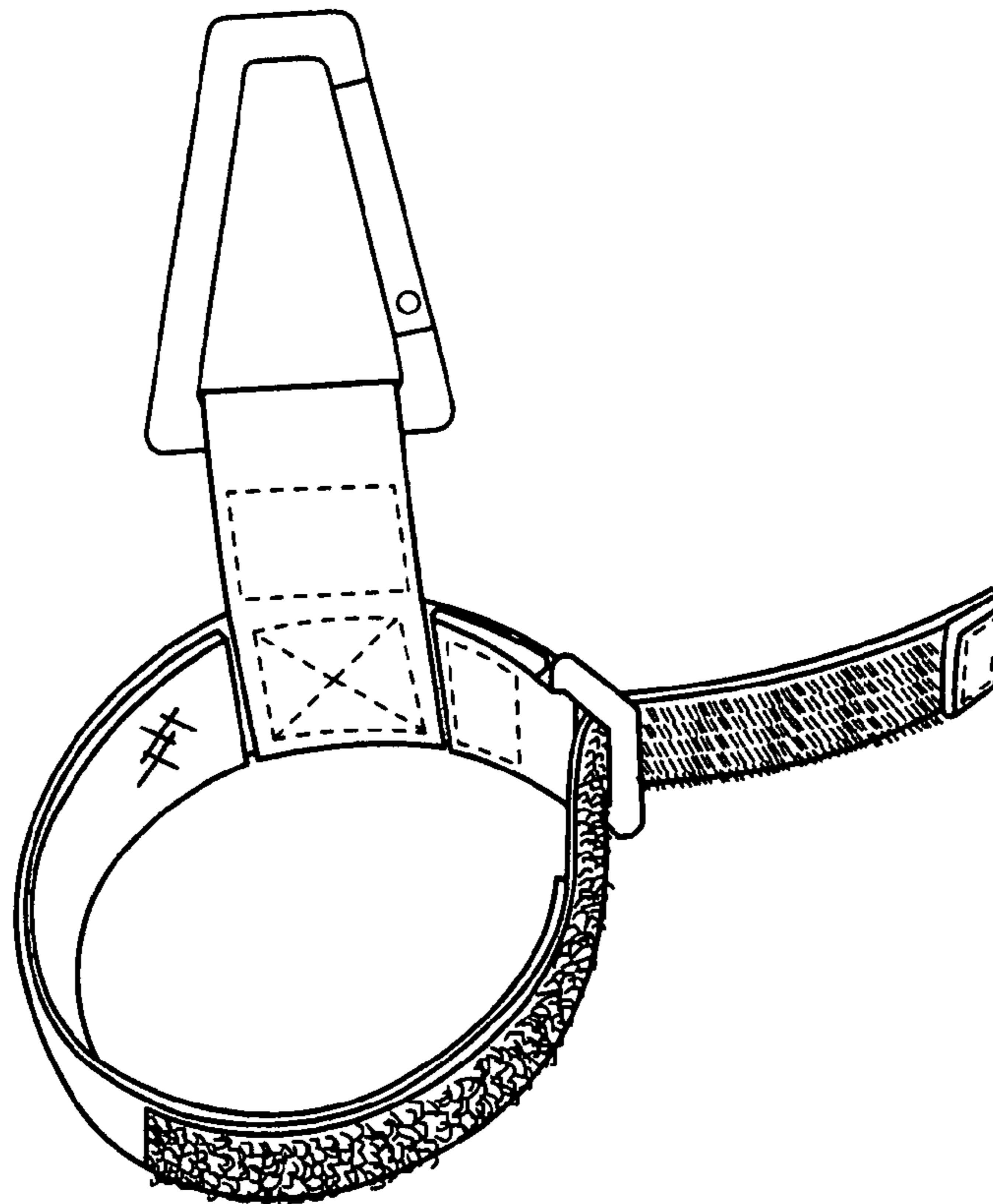
(52) **U.S. Cl.** ..... **D3/215**

(58) **Field of Classification Search** ..... D3/215,  
D3/228-229, 202, 316; 224/148.6, 250,  
224/269, 650; D24/199; 294/31.2, 33, 147,  
294/149, 154; 248/102-107, 311.2, 309.1;  
D7/622

FIG. 1 is a perspective view of the bottle/can tether showing my new design;  
FIG. 2 is a front view thereof;  
FIG. 3 is a right side view thereof;  
FIG. 4 is a left side view thereof;  
FIG. 5 is a rear view thereof;  
FIG. 6 is a top view thereof; and,  
FIG. 7 is a bottom view thereof.

See application file for complete search history.

**1 Claim, 7 Drawing Sheets**



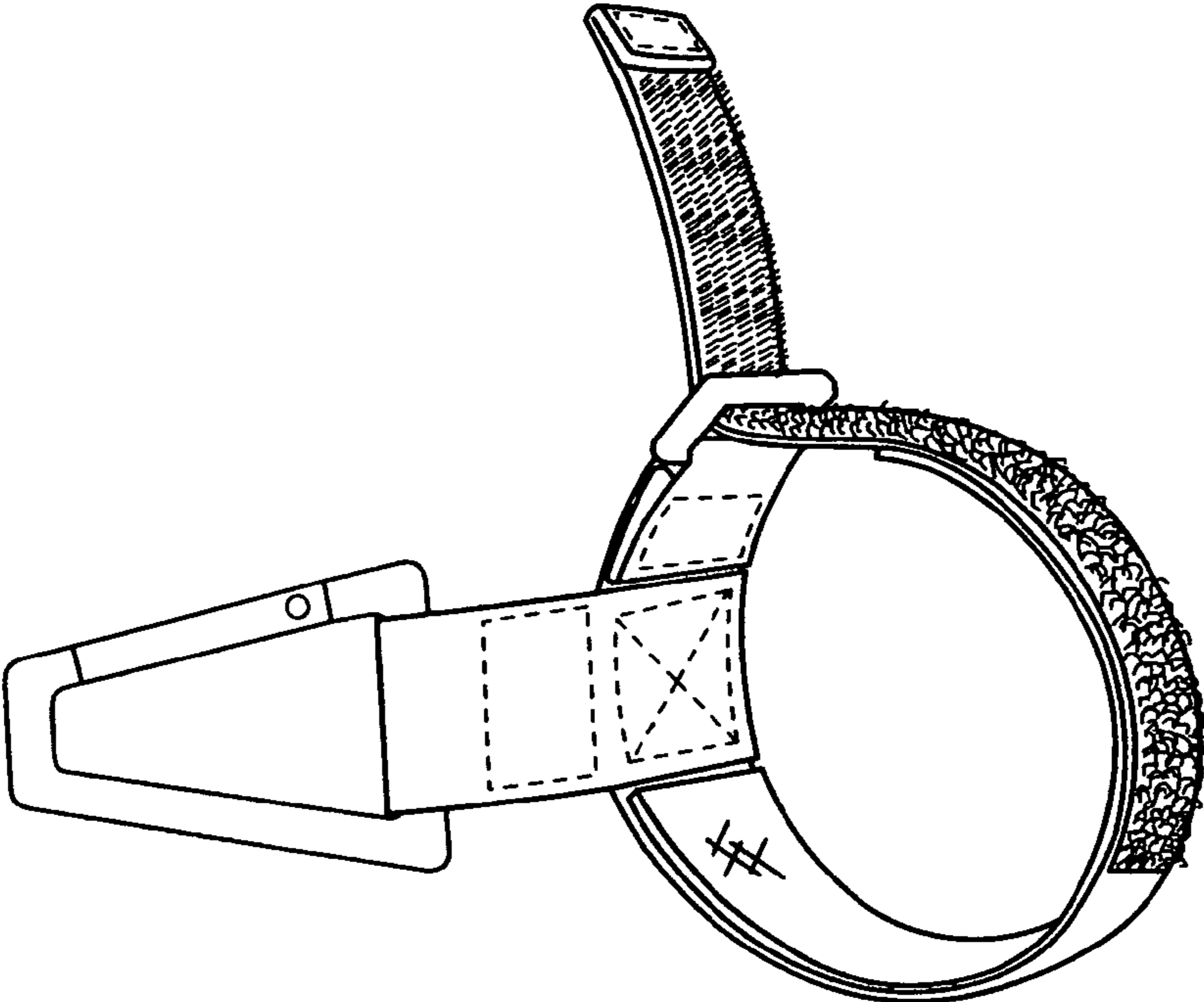


FIG. 1

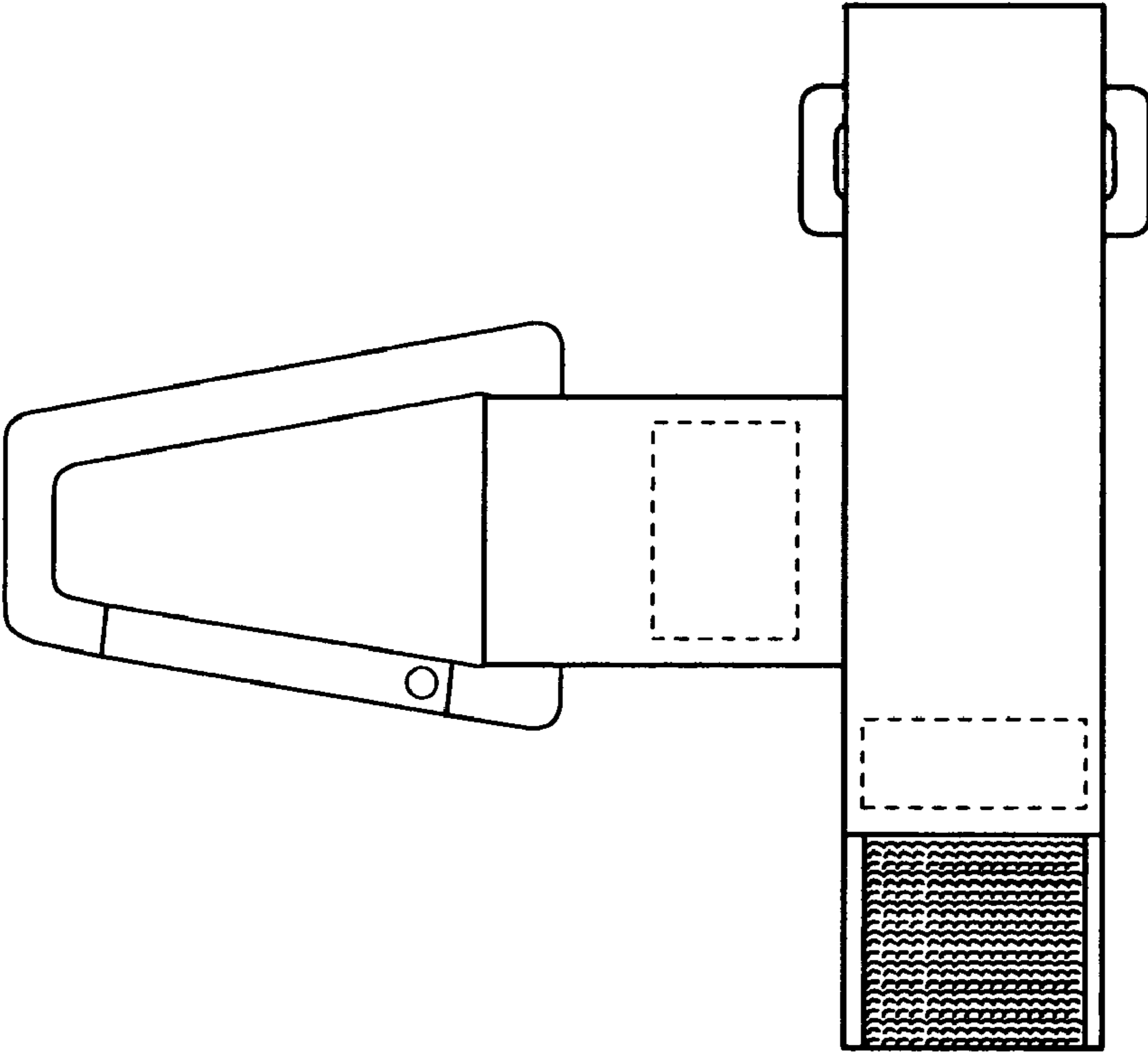


FIG. 2

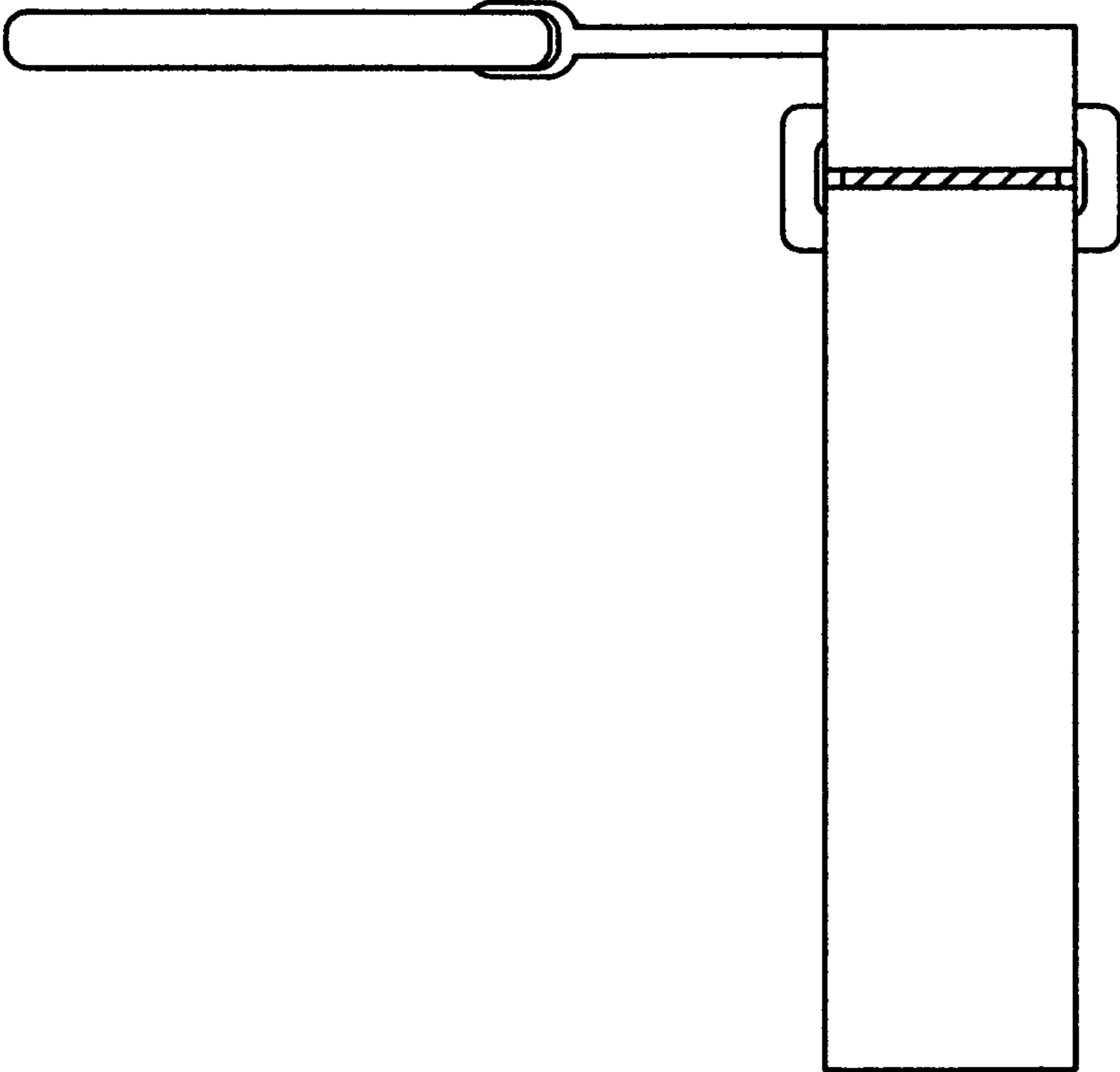


FIG. 3

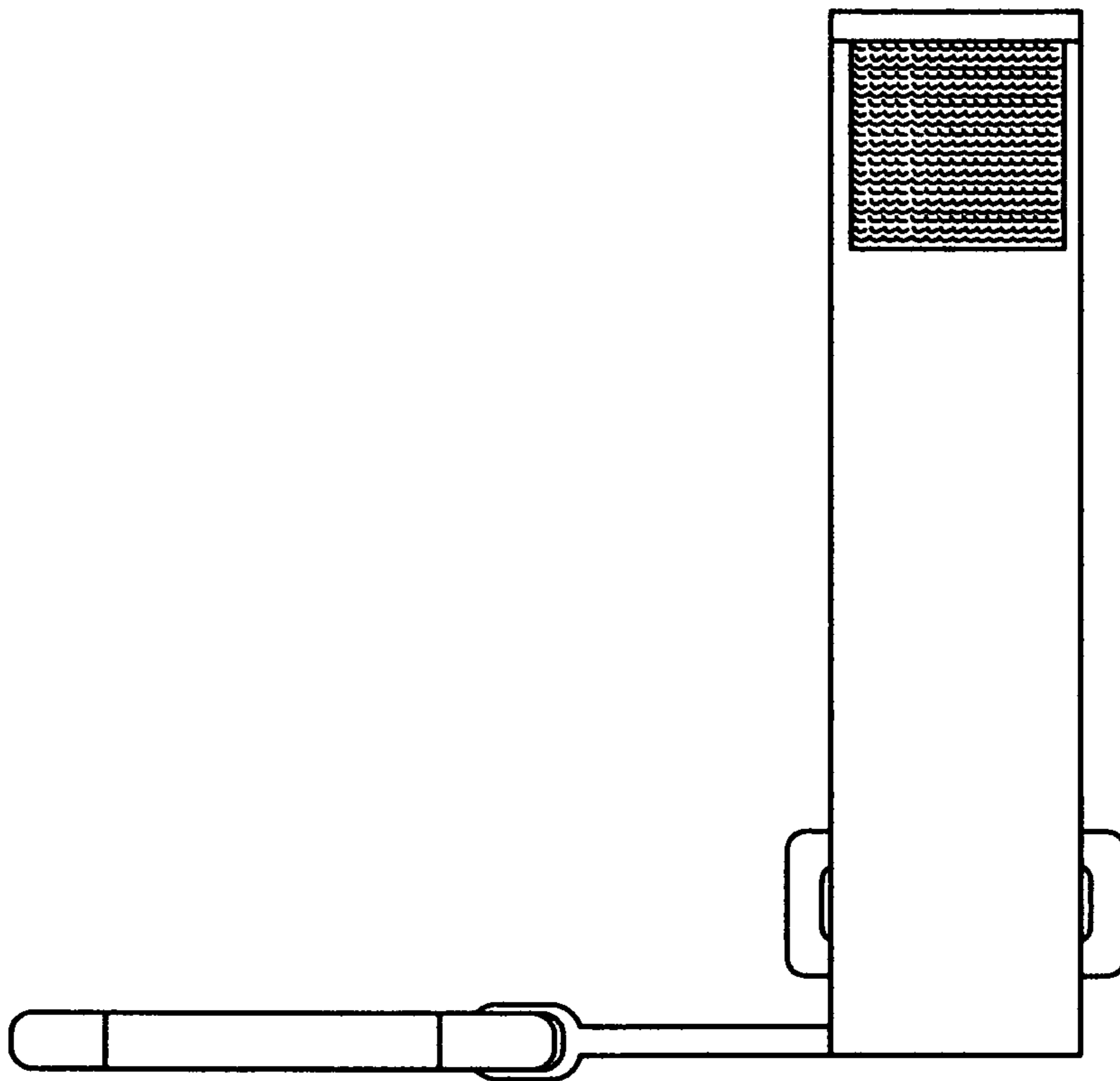


FIG. 4

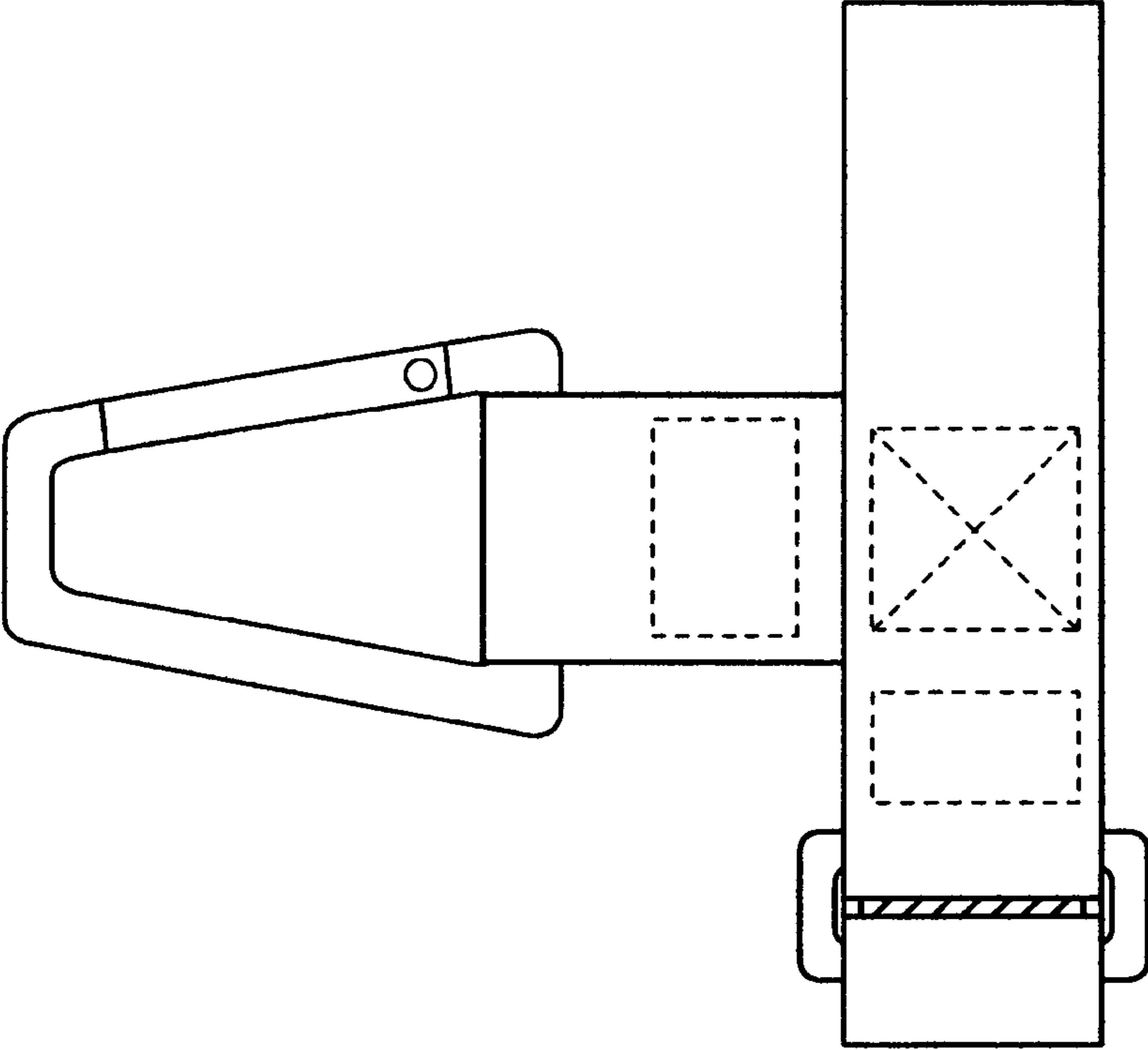


FIG. 5

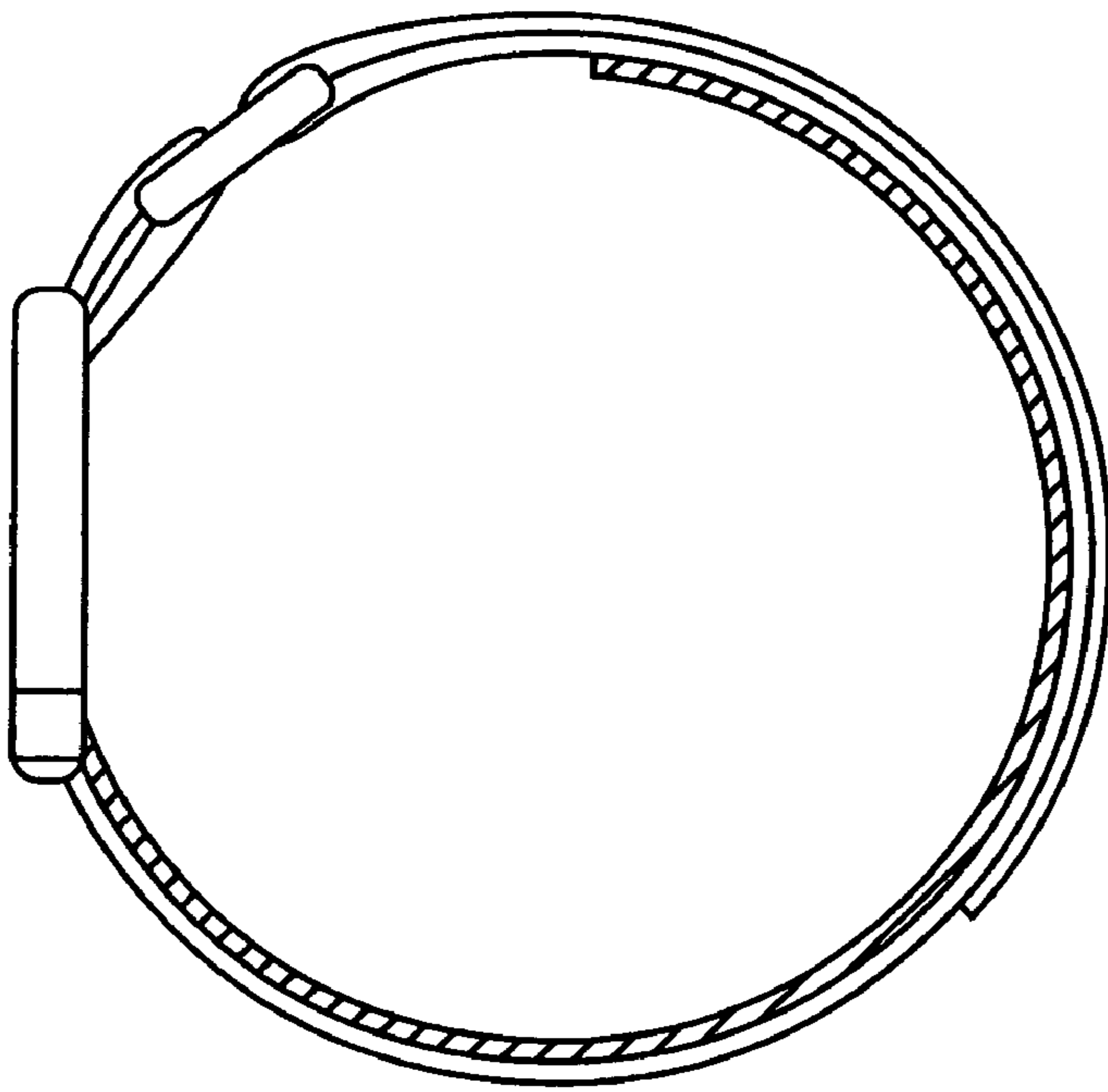


FIG. 6

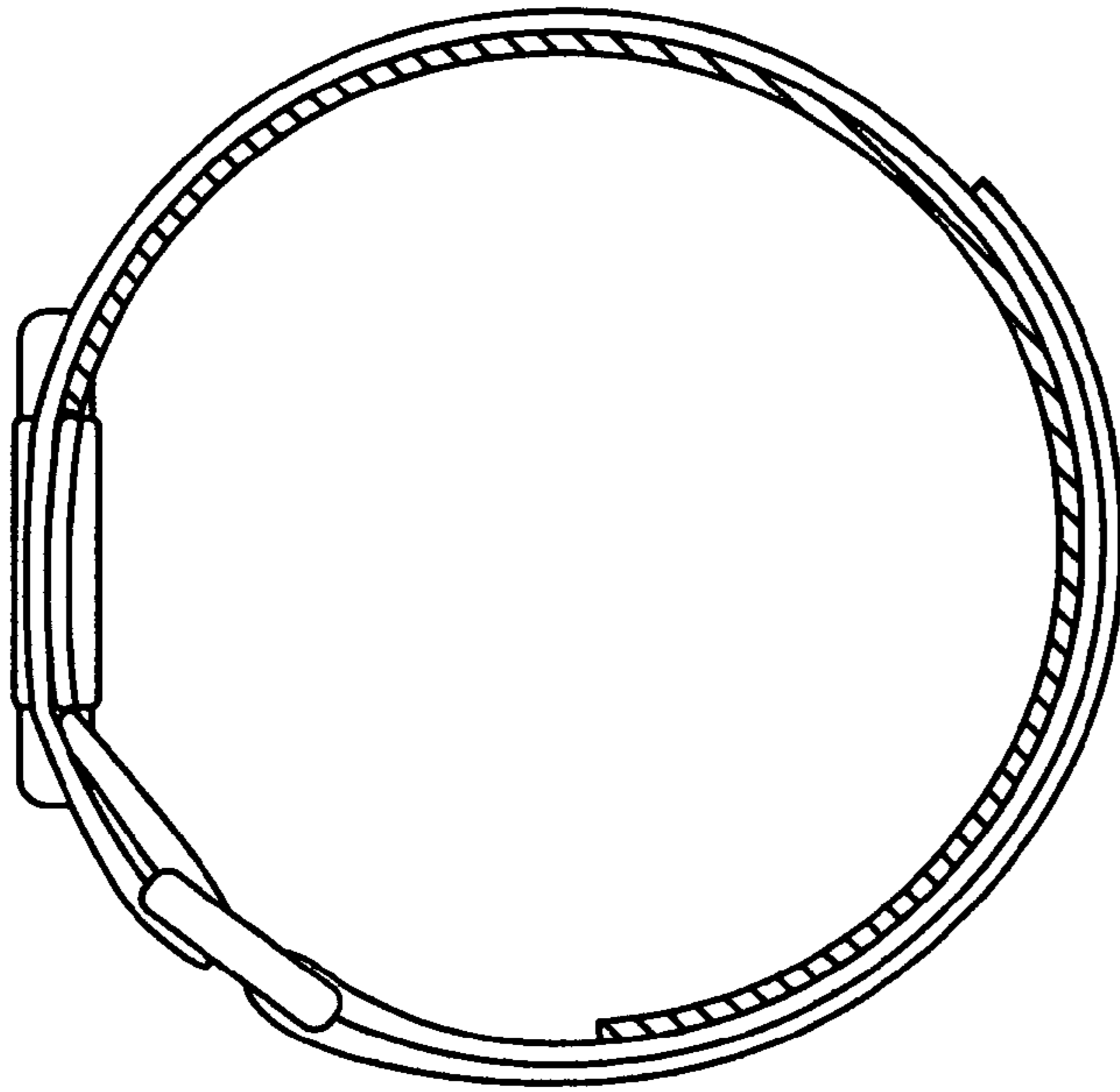


FIG. 7