

US00D657122S

(12) **United States Design Patent**  
**Gaither**

(10) **Patent No.:** **US D657,122 S**  
(45) **Date of Patent:** **\*\* Apr. 10, 2012**

- (54) **SOCK WITH ARCH LINE DETAIL**
- (75) Inventor: **Hugh Gaither**, Newton, NC (US)
- (73) Assignee: **Flagship Brands, LLC**, Newton, OH (US)
- (\*\*) Term: **14 Years**
- (21) Appl. No.: **29/373,185**
- (22) Filed: **Mar. 14, 2011**
- (51) **LOC (9) Cl.** ..... **02-04**
- (52) **U.S. Cl.** ..... **D2/980**
- (58) **Field of Classification Search** ..... D2/980-994,  
D2/902, 907; 2/239-242  
See application file for complete search history.

(56) **References Cited**

U.S. PATENT DOCUMENTS

1,659,171	A *	2/1928	Spafford	36/165
2,102,368	A *	12/1937	Martel	66/182
2,219,235	A *	10/1940	Morton	2/239
D162,774	S *	4/1951	Beauchemin	D2/994
D162,775	S *	4/1951	Beauchemin	D2/994
4,149,274	A *	4/1979	Garrou et al.	2/239
4,255,949	A *	3/1981	Thorneburg	66/185
4,615,188	A *	10/1986	Hursh et al.	66/196
4,898,007	A *	2/1990	Dahlgren	66/185
5,473,781	A *	12/1995	Greenberg	2/239
5,603,232	A *	2/1997	Throneburg	66/185
D392,795	S *	3/1998	Ogden	D2/980
5,784,721	A *	7/1998	Huff	2/239
D401,758	S *	12/1998	Huff	D2/986
5,983,402	A *	11/1999	Fincher	2/239
6,286,151	B1 *	9/2001	Lambertz	2/239
6,336,227	B1 *	1/2002	Liput et al.	2/239
6,442,875	B1 *	9/2002	Joubert et al.	36/115

6,805,681	B2 *	10/2004	Yokoyama	602/65
D513,116	S *	12/2005	Gaither	D2/989
7,007,517	B2 *	3/2006	Menzies	66/185
7,346,936	B2 *	3/2008	Vargas et al.	2/239
D590,590	S *	4/2009	Bonzagni et al.	D2/980
7,677,061	B2 *	3/2010	Mori et al.	66/185
D613,491	S *	4/2010	Hollingsworth et al.	D2/980
7,721,575	B2 *	5/2010	Yokoyama	66/185
D624,300	S *	9/2010	Hollingsworth et al.	D2/980
D627,147	S *	11/2010	Lambertz	D2/994
7,950,071	B2 *	5/2011	Jeong	2/239
2002/0083622	A1 *	7/2002	Joubert et al.	36/117.6
2006/0026740	A1 *	2/2006	Vargas et al.	2/239
2007/0283483	A1 *	12/2007	Jacober	2/239
2008/0155731	A1 *	7/2008	Kasahara	2/240
2009/0013450	A1 *	1/2009	Lambertz	2/239
2009/0044313	A1 *	2/2009	Anastopoulos et al.	2/241
2009/0165190	A1 *	7/2009	Araki et al.	2/240

\* cited by examiner

*Primary Examiner* — T. Chase Nelson

*Assistant Examiner* — Kathleen M Sims

(74) *Attorney, Agent, or Firm* — Schwartz Law Firm, P.C.

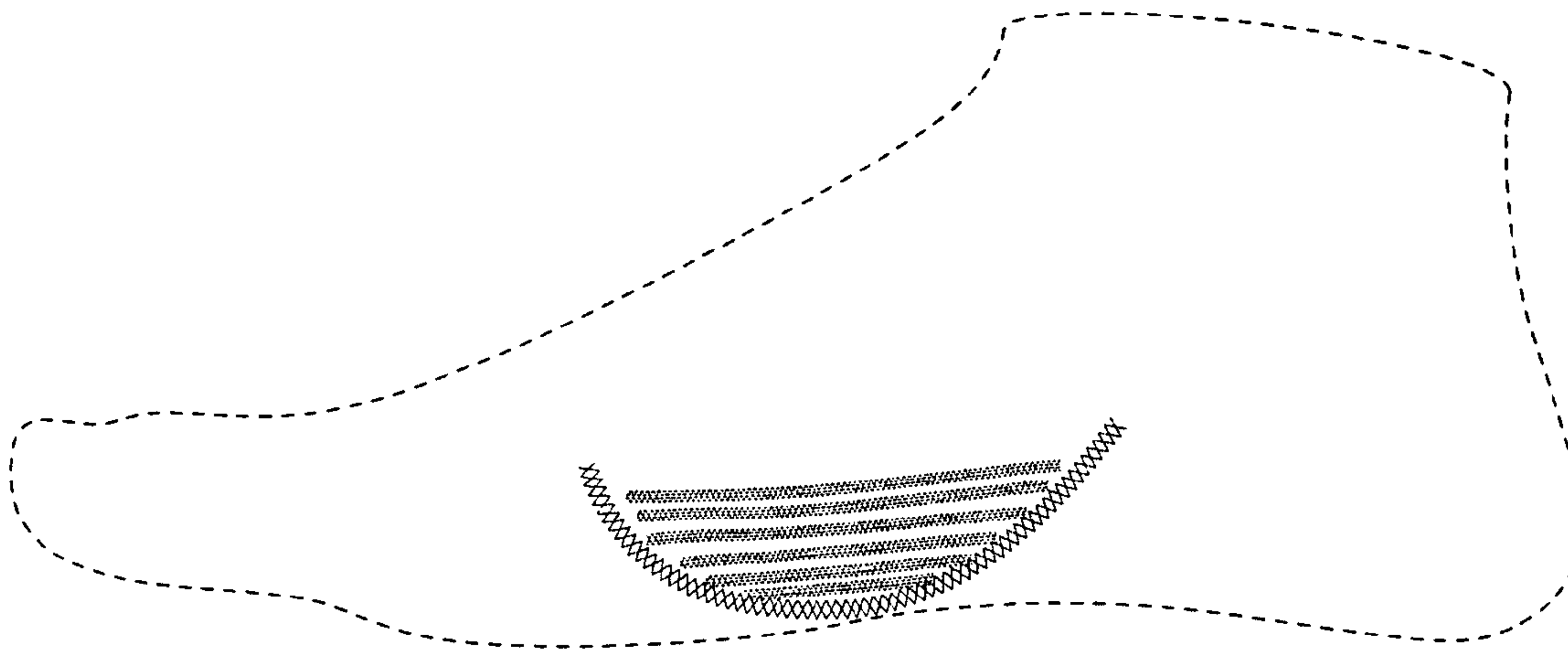
(57) **CLAIM**

I claim the ornamental design for a sock with arch line detail, as shown and described.

**DESCRIPTION**

FIG. 1 is a side view of the sock with arch line detail showing my new design;  
 FIG. 2 is a perspective view thereof; and,  
 FIG. 3 is a top view thereof.  
 The broken-line showing of a sock and stacked horizontal lines in FIGS. 1-3 are included for the purpose of showing environmental portions of the sock with arch line detail and form no part of the claimed design.

**1 Claim, 3 Drawing Sheets**



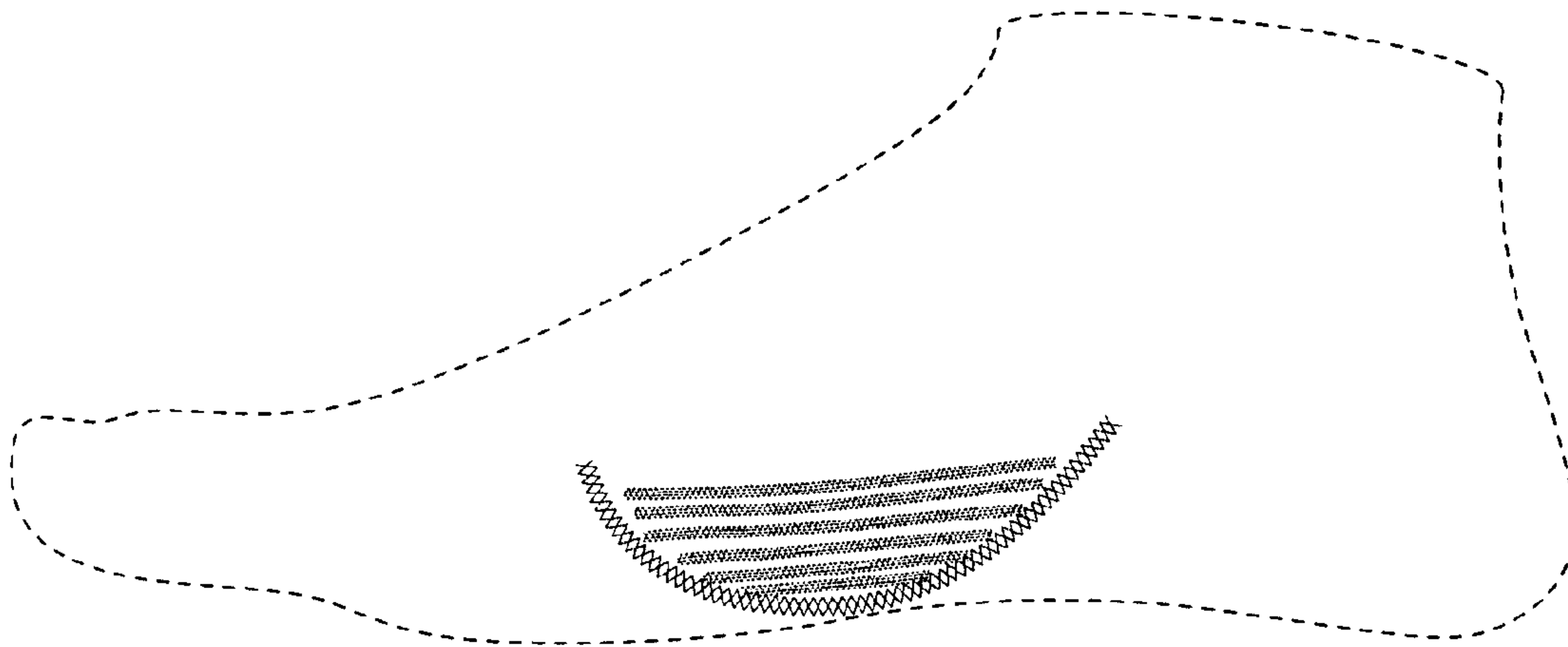
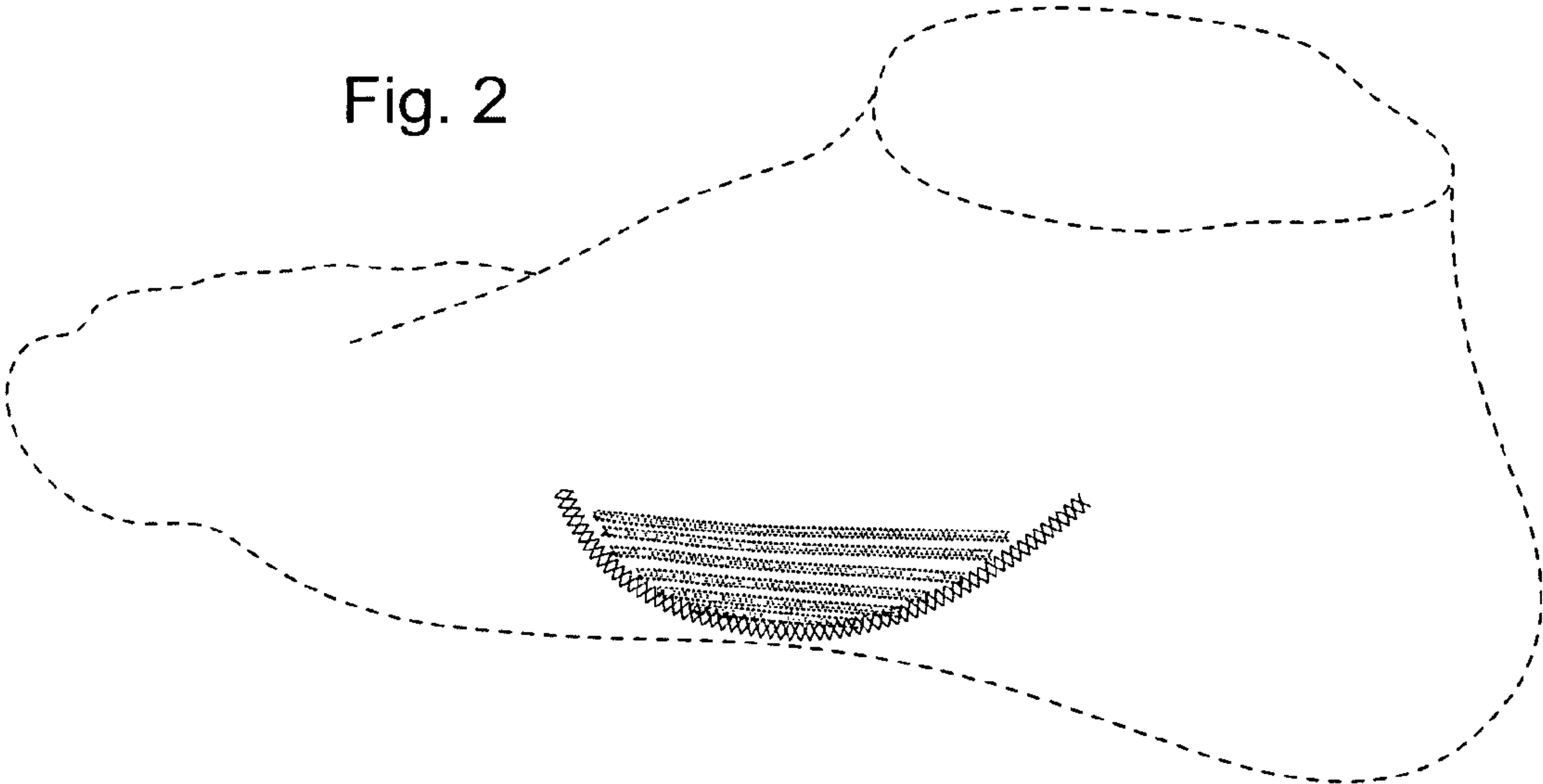


Fig. 1

Fig. 2



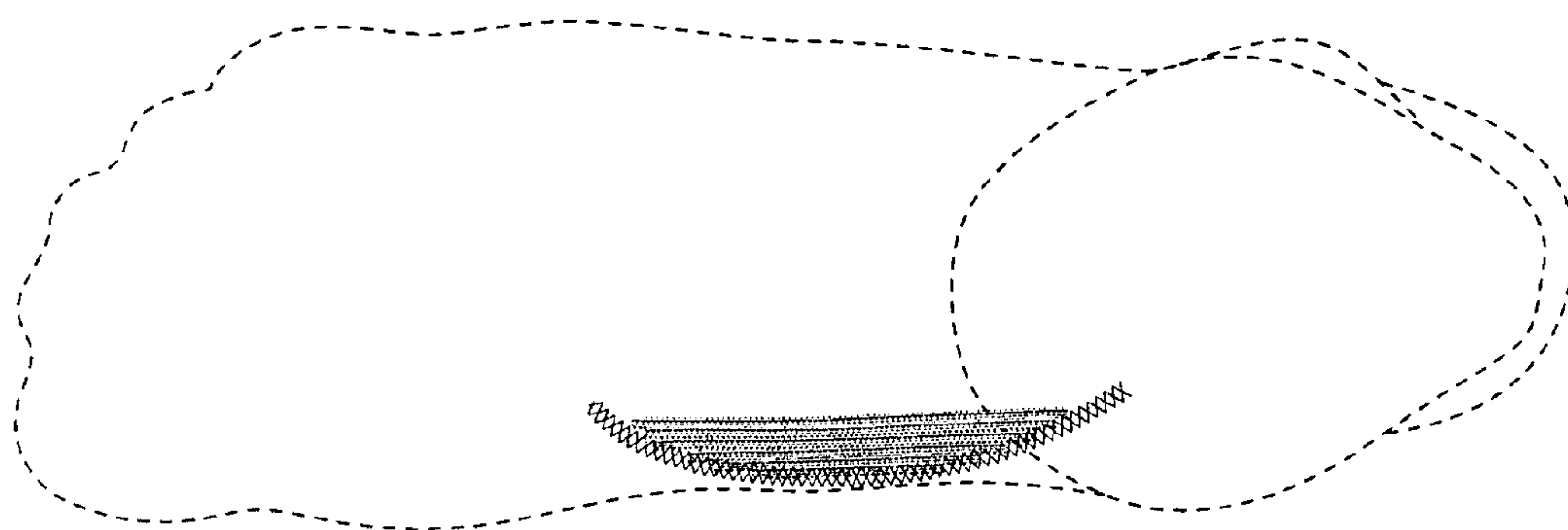


Fig. 3