



US00D657115S

(12) **United States Design Patent**  
**Kessler et al.**

(10) **Patent No.:** **US D657,115 S**  
(45) **Date of Patent:** **\*\* Apr. 3, 2012**

(54) **PALLET SUPPORT**

(76) Inventors: **Robert R. Kessler**, Augusta, IL (US);  
**Eric Renteria**, Mediapolis, IA (US)

(\*\*) Term: **14 Years**

(21) Appl. No.: **29/370,608**

(22) Filed: **Aug. 11, 2010**

**Related U.S. Application Data**

(63) Continuation-in-part of application No. 29/348,731,  
filed on Feb. 2, 2010, which is a continuation-in-part of  
application No. 29/305,558, filed on Mar. 24, 2008,  
now Pat. No. Des. 612,566.

(51) **LOC (9) Cl.** ..... **09-08**

(52) **U.S. Cl.** ..... **D34/38**

(58) **Field of Classification Search** ..... D34/38;  
108/51.11, 51.3, 53.1, 53.3, 53.5, 56.1, 573.18;  
206/386, 597, 599, 600  
See application file for complete search history.

(56) **References Cited**

**U.S. PATENT DOCUMENTS**

3,940,101 A \* 2/1976 Heidelberg ..... 248/346.4  
4,509,433 A \* 4/1985 Farr ..... 108/52.1  
4,960,209 A \* 10/1990 Tudor ..... 206/597  
D416,782 S \* 11/1999 Reinhardt ..... D8/354

D453,057 S \* 1/2002 Sewell ..... D34/38  
6,926,144 B1 \* 8/2005 Schnaars et al. .... 206/386  
D547,024 S \* 7/2007 Brefka et al. .... D34/38  
D551,424 S \* 9/2007 Meisen et al. .... D34/38  
D612,566 S \* 3/2010 Kessler ..... D34/38

\* cited by examiner

*Primary Examiner* — Cynthia Ramirez

(74) *Attorney, Agent, or Firm* — Mathew R. P. Perrone, Jr.;  
Brie A. Crawford

(57) **CLAIM**

The ornamental design for a pallet support, as shown and  
described.

**DESCRIPTION**

FIG. 1 is a front perspective view of a pallet support of my  
invention in use with the pallet and rear pallet support shown  
in phantom;

FIG. 2 is a front elevational view thereof;

FIG. 3 is a rear elevational view thereof;

FIG. 4 is a top view thereof;

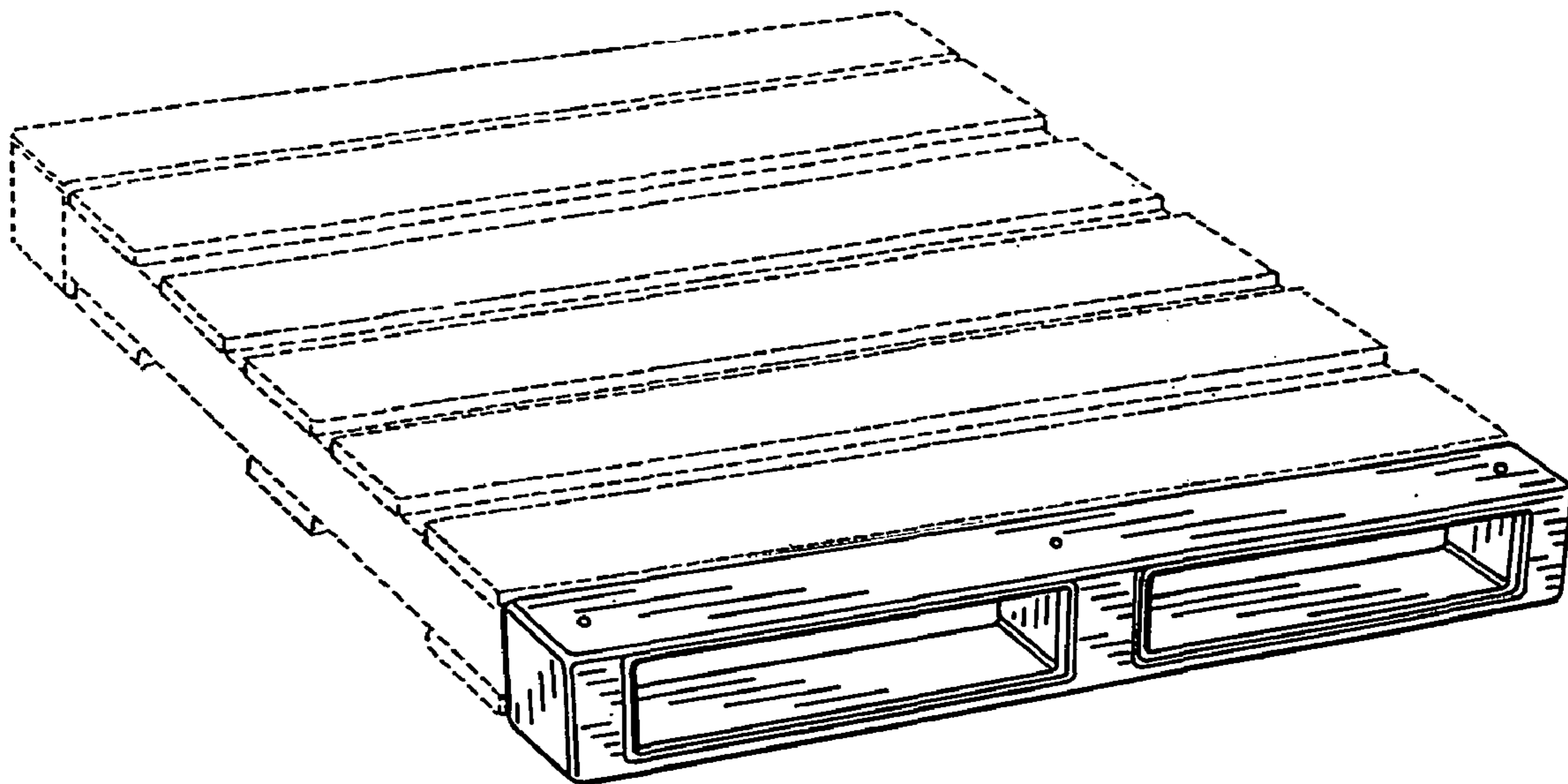
FIG. 5 is an end view thereof;

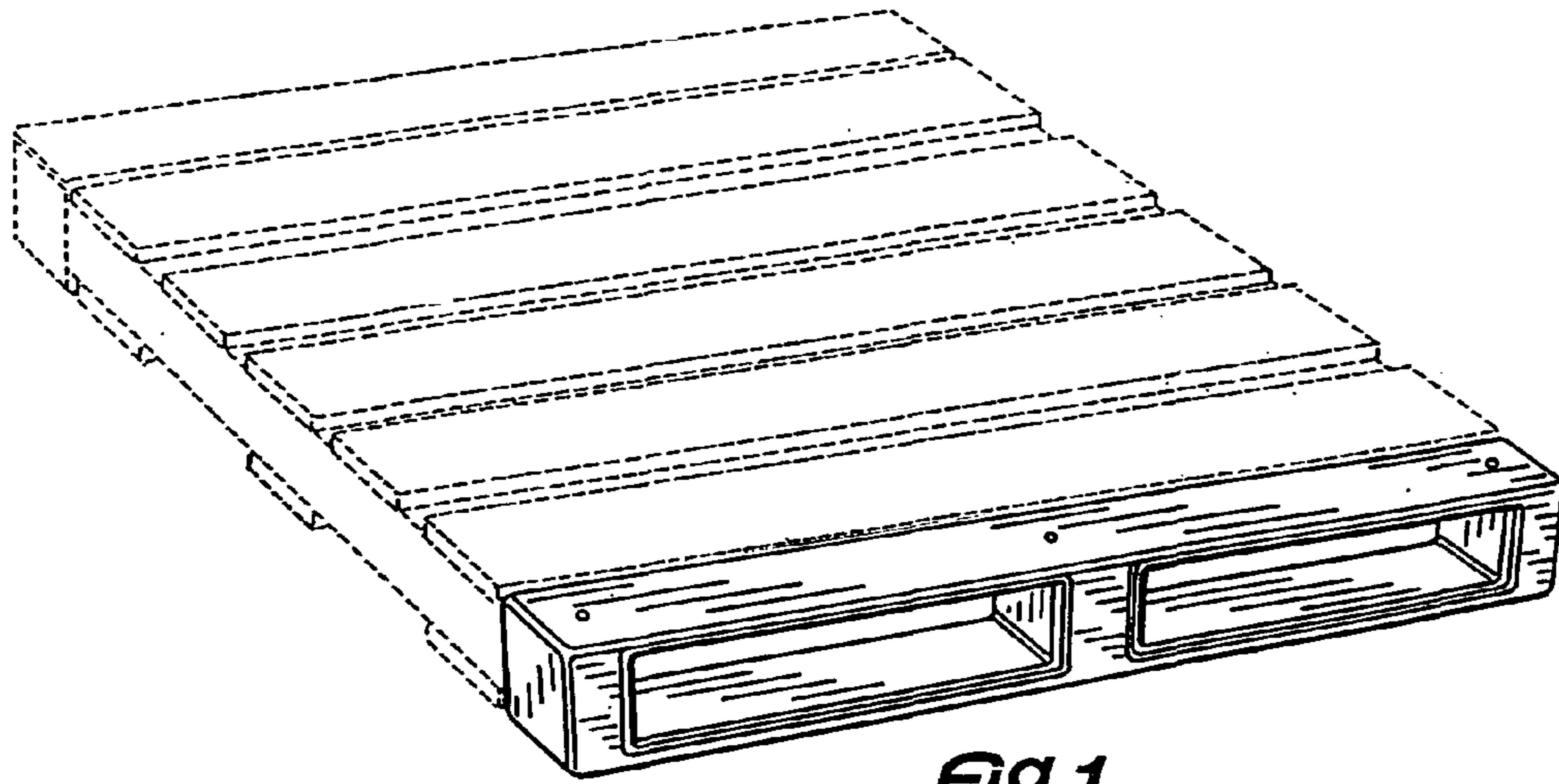
FIG. 6 is the other end view thereof; and,

FIG. 7 is a rear perspective view thereof.

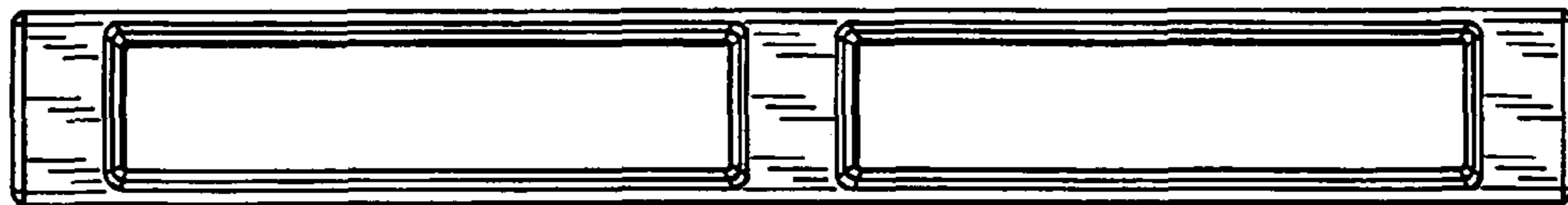
The broken line showing in the drawings is included for the  
purpose of illustrating environment and forms no part of the  
claimed design.

**1 Claim, 2 Drawing Sheets**

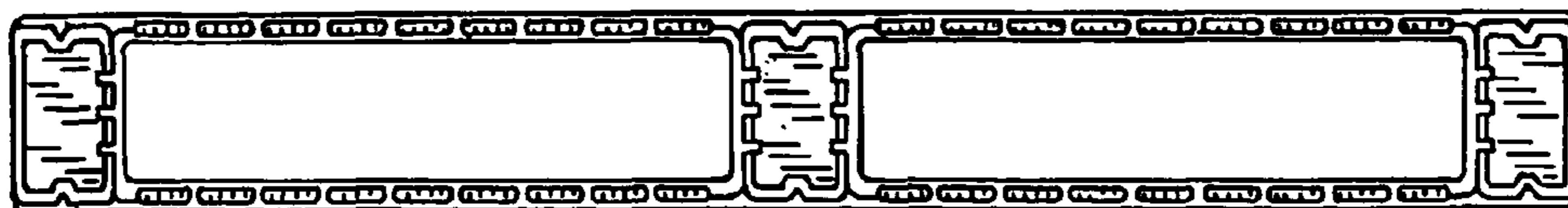




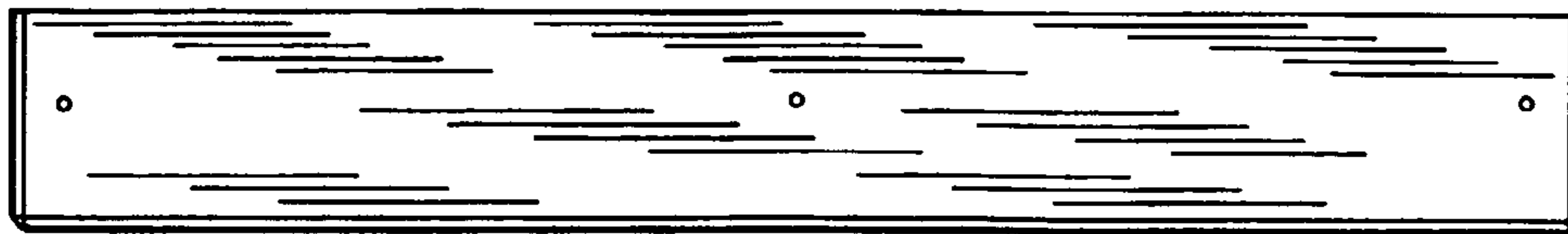
*Fig. 1.*



*Fig. 2.*



*Fig. 3.*



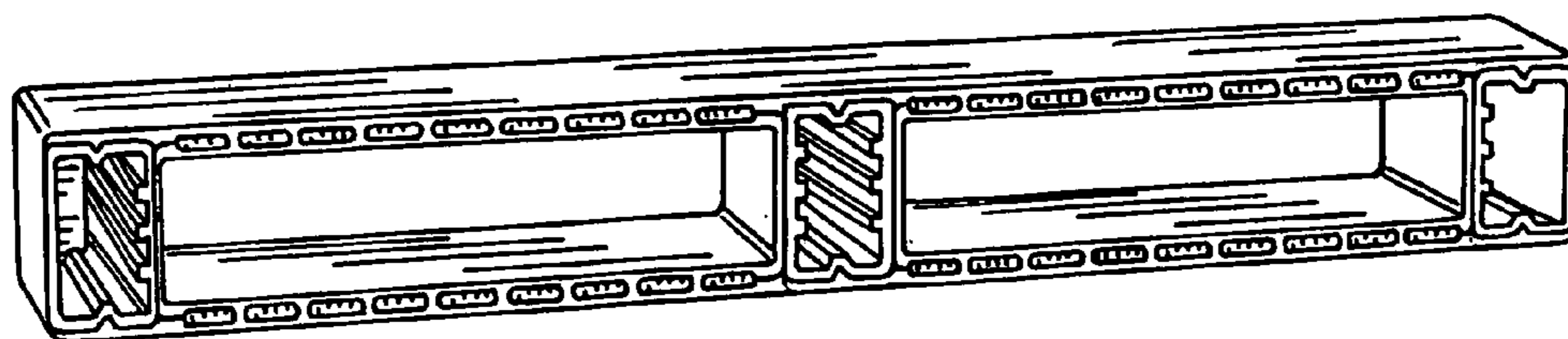
*FIG. 4.*



*FIG. 5.*



*FIG. 6.*



*FIG. 7.*