



US00D657113S

(12) **United States Design Patent**
Shibata et al.

(10) **Patent No.:** **US D657,113 S**
(45) **Date of Patent:** **** Apr. 3, 2012**

(54) **FORKLIFT TRUCK**

(75) Inventors: **Naoki Shibata**, Tokyo (JP); **Jun Kawazoe**, Tokyo (JP); **Miyahito Hase**, Tokyo (JP)

(73) Assignee: **Mitsubishi Heavy Industries, Ltd.**, Tokyo (JP)

(**) Term: **14 Years**

(21) Appl. No.: **29/394,687**

(22) Filed: **Jun. 20, 2011**

(30) **Foreign Application Priority Data**

Dec. 20, 2010 (JP) 2010-030420

(51) **LOC (9) Cl.** **12-05**

(52) **U.S. Cl.** **D34/35**

(58) **Field of Classification Search** D34/34,
D34/35; 414/685, 465; 180/89.12, 89.14,
180/89.17; 187/237, 238, 414

See application file for complete search history.

(56) **References Cited**

U.S. PATENT DOCUMENTS

D242,337 S * 11/1976 Priester et al. D34/37
D369,010 S * 4/1996 Soederberg D34/34

D571,522 S * 6/2008 Bornhorst et al. D34/35
D576,775 S * 9/2008 Buchmann et al. D34/35
D594,172 S * 6/2009 Shibata et al. D34/34
D594,173 S * 6/2009 Shibata et al. D34/34
D610,325 S * 2/2010 Betzler D34/33
D612,563 S * 3/2010 Stark D34/34

* cited by examiner

Primary Examiner — Cynthia Ramirez

(74) *Attorney, Agent, or Firm* — Birch, Stewart, Kolasch & Birch, LLP

(57) **CLAIM**

The ornamental design for a forklift truck, as shown and described.

DESCRIPTION

FIG. 1 is a perspective view of a forklift truck in accordance with our invention;

FIG. 2 is a right side elevation view thereof;

FIG. 3 is a left side elevation view thereof;

FIG. 4 is a front elevation view thereof;

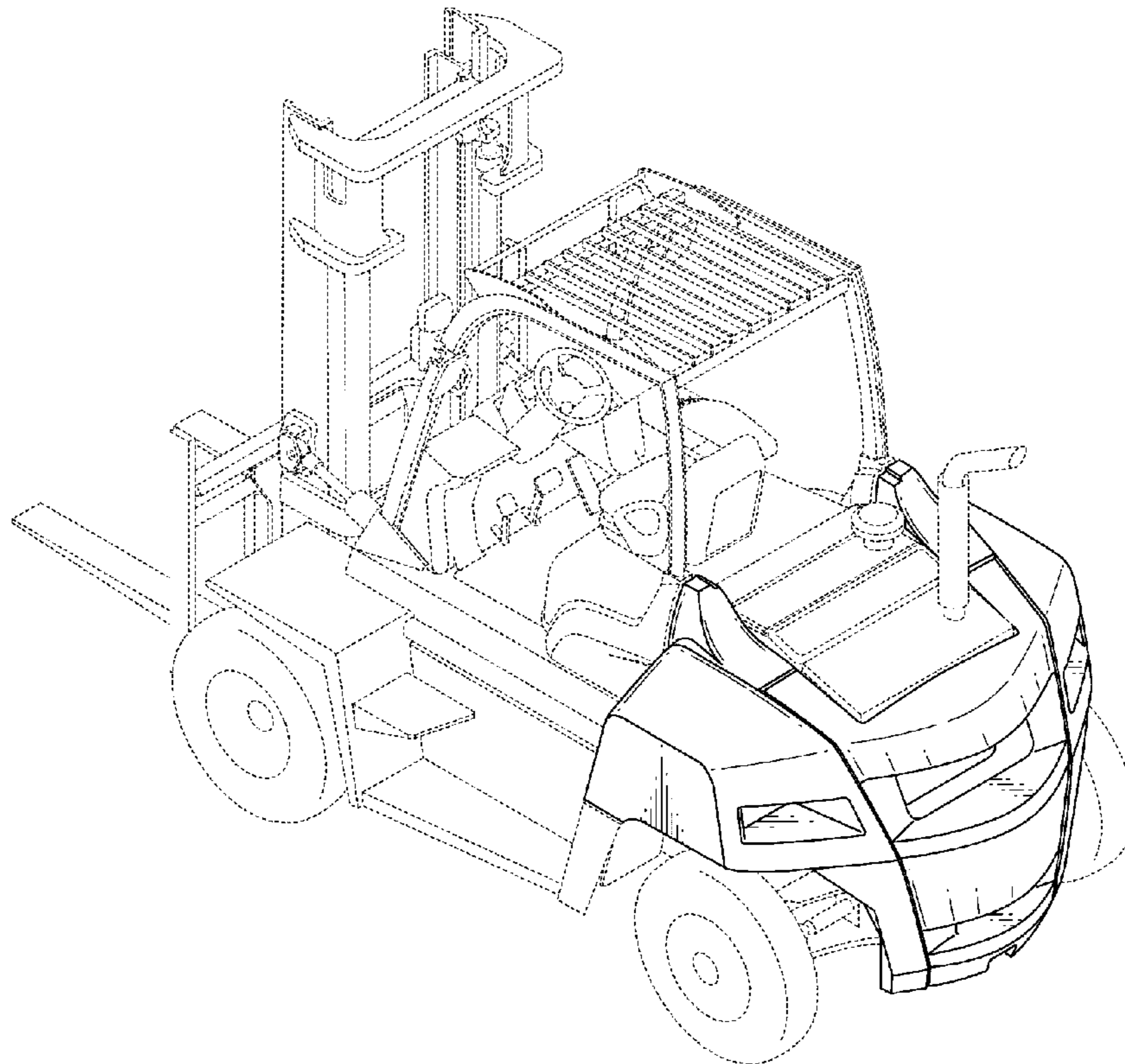
FIG. 5 is a rear elevation view thereof;

FIG. 6 is a top plan view thereof; and,

FIG. 7 is a bottom plan view thereof.

The portions of the forklift truck shown in broken lines are for the purpose of showing environmental structure only and form no part of the claimed design.

1 Claim, 7 Drawing Sheets



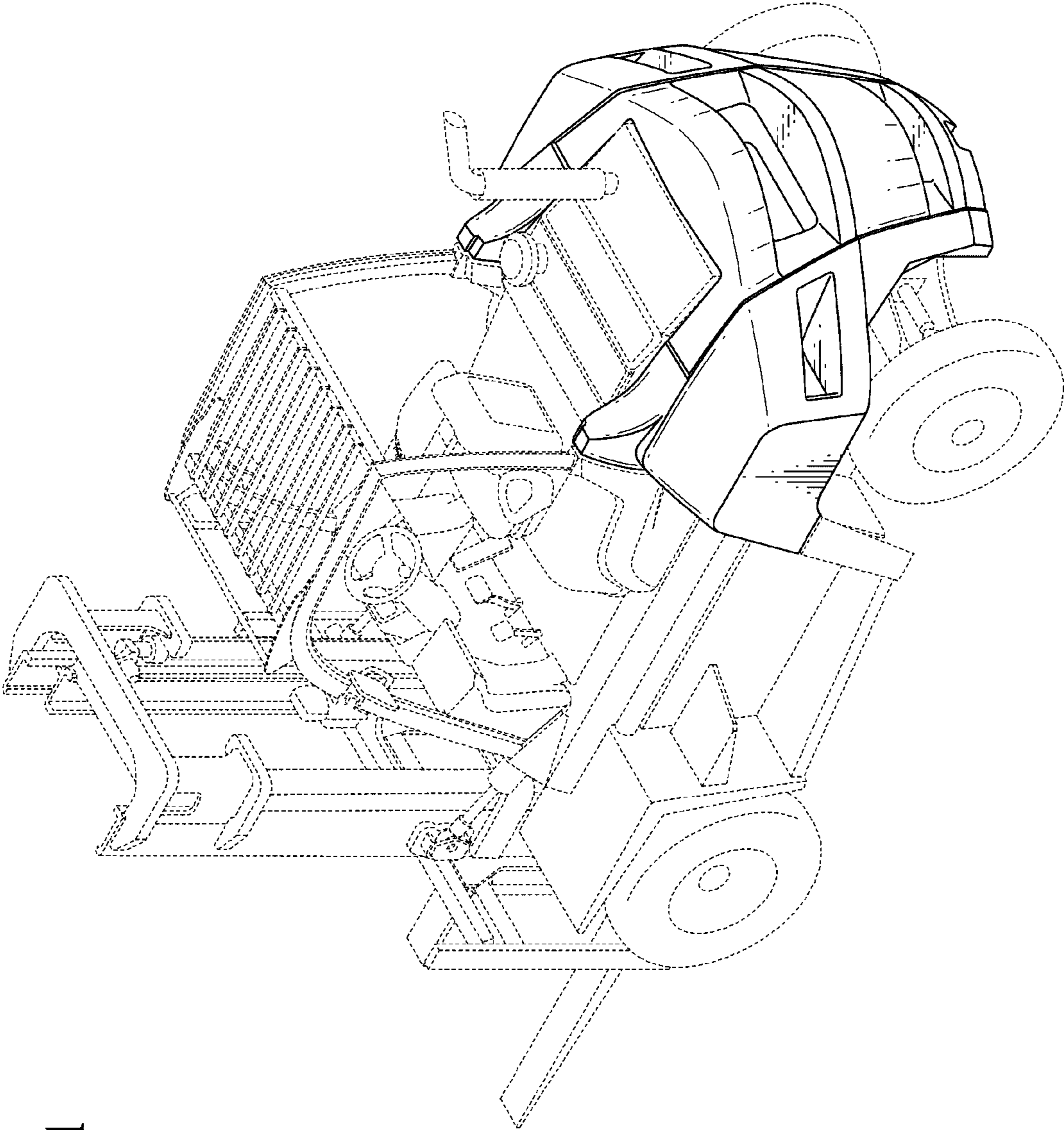


FIG. 1

FIG. 2

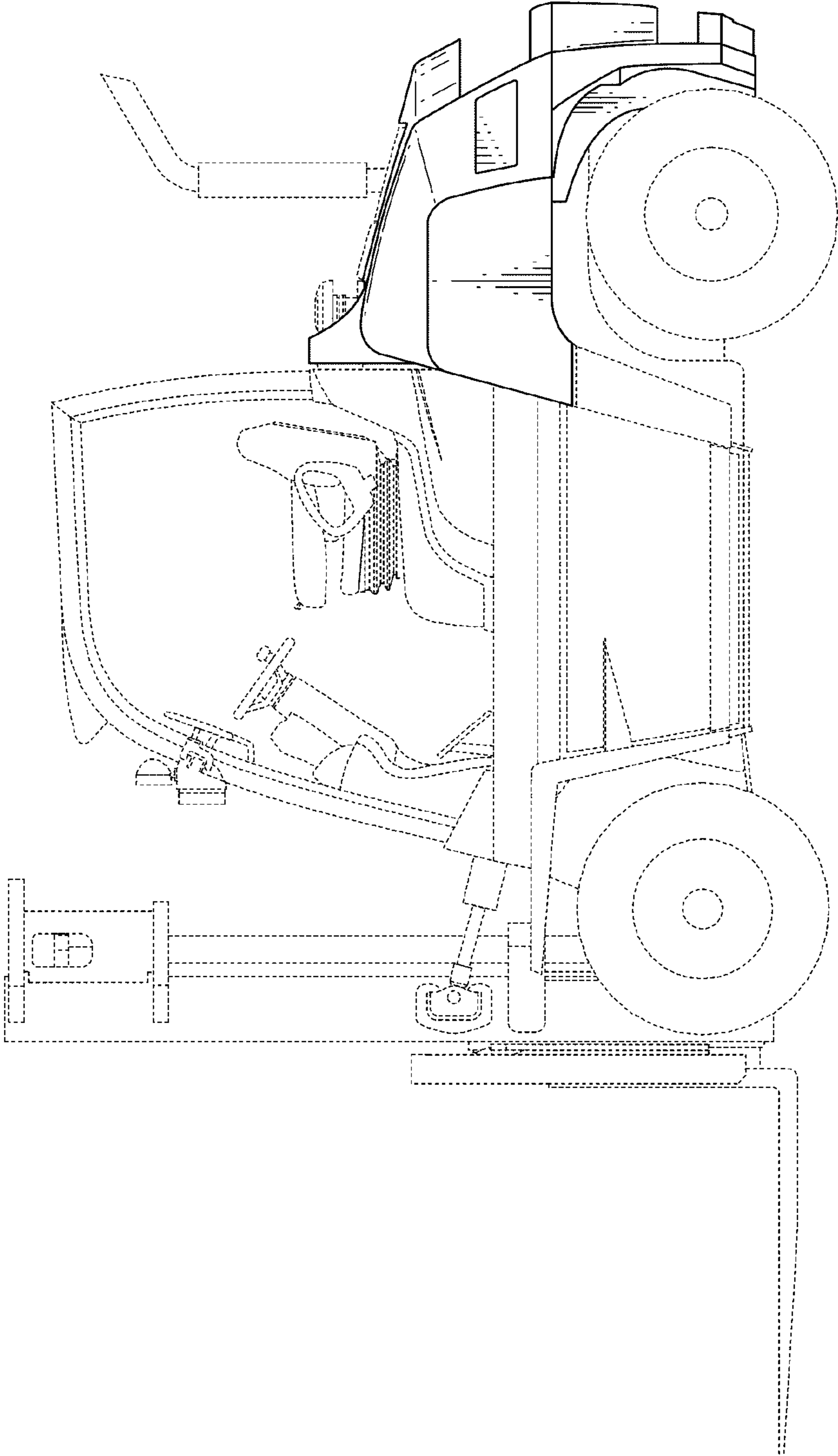


FIG. 3

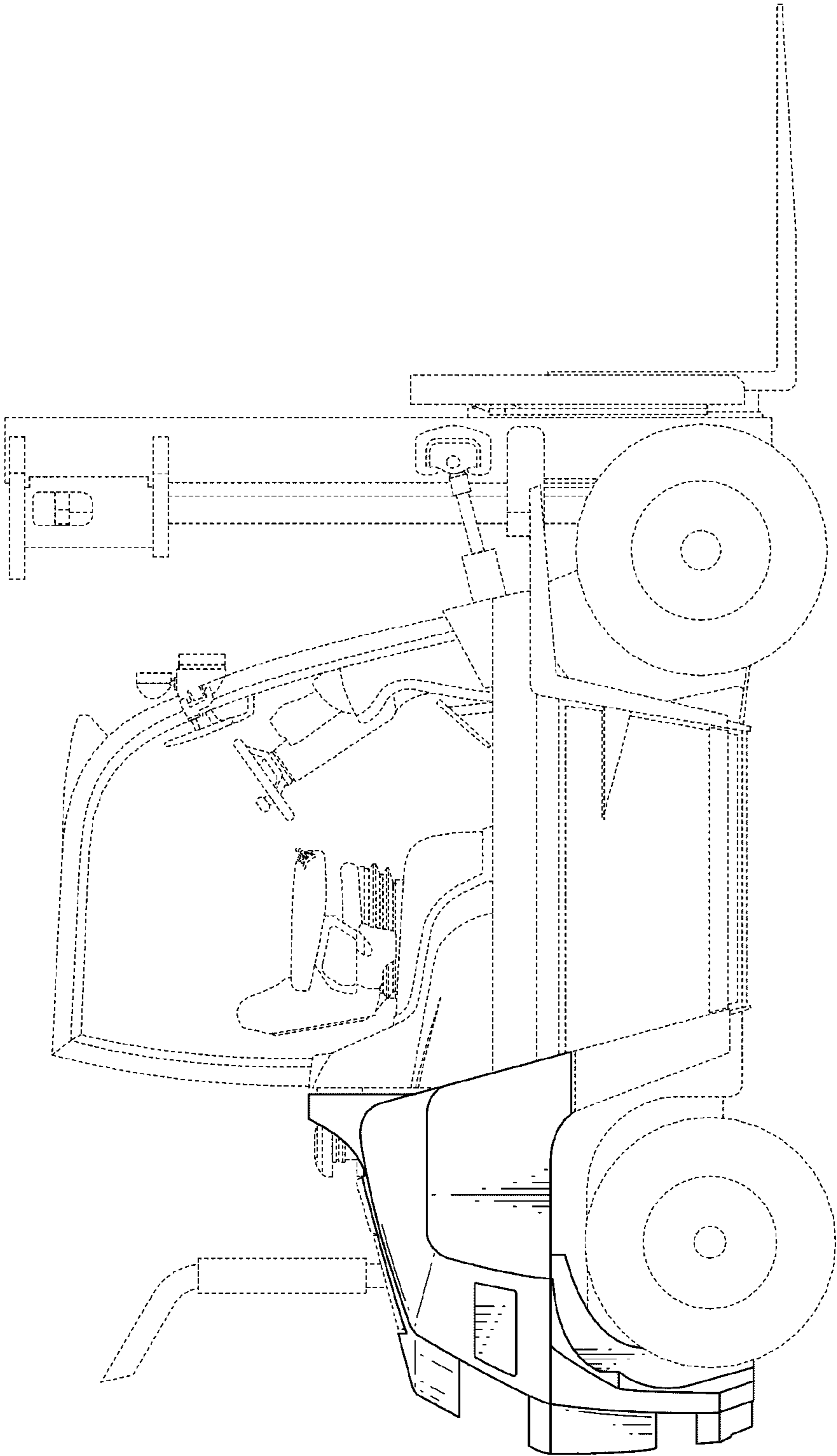


FIG. 4

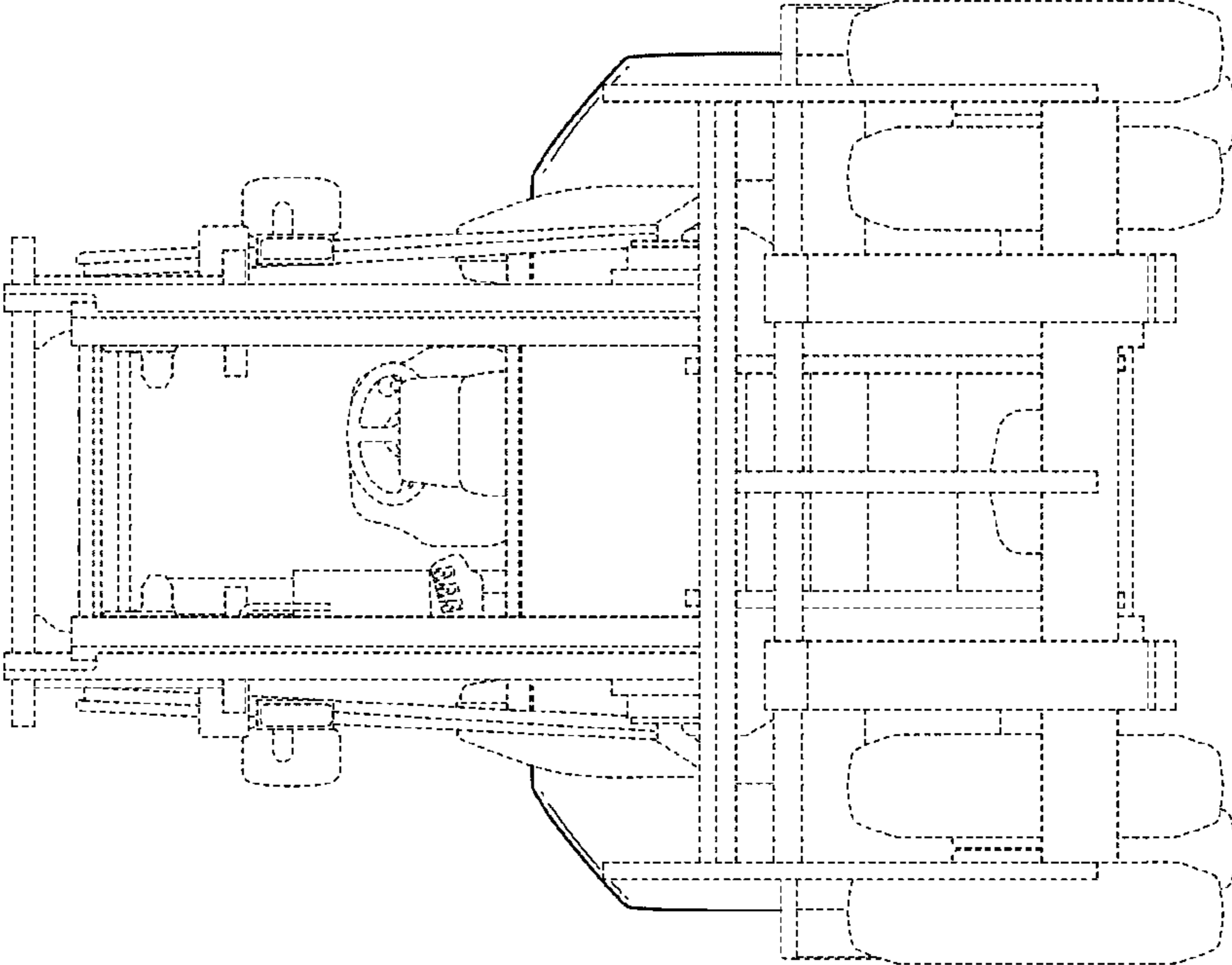


FIG. 5

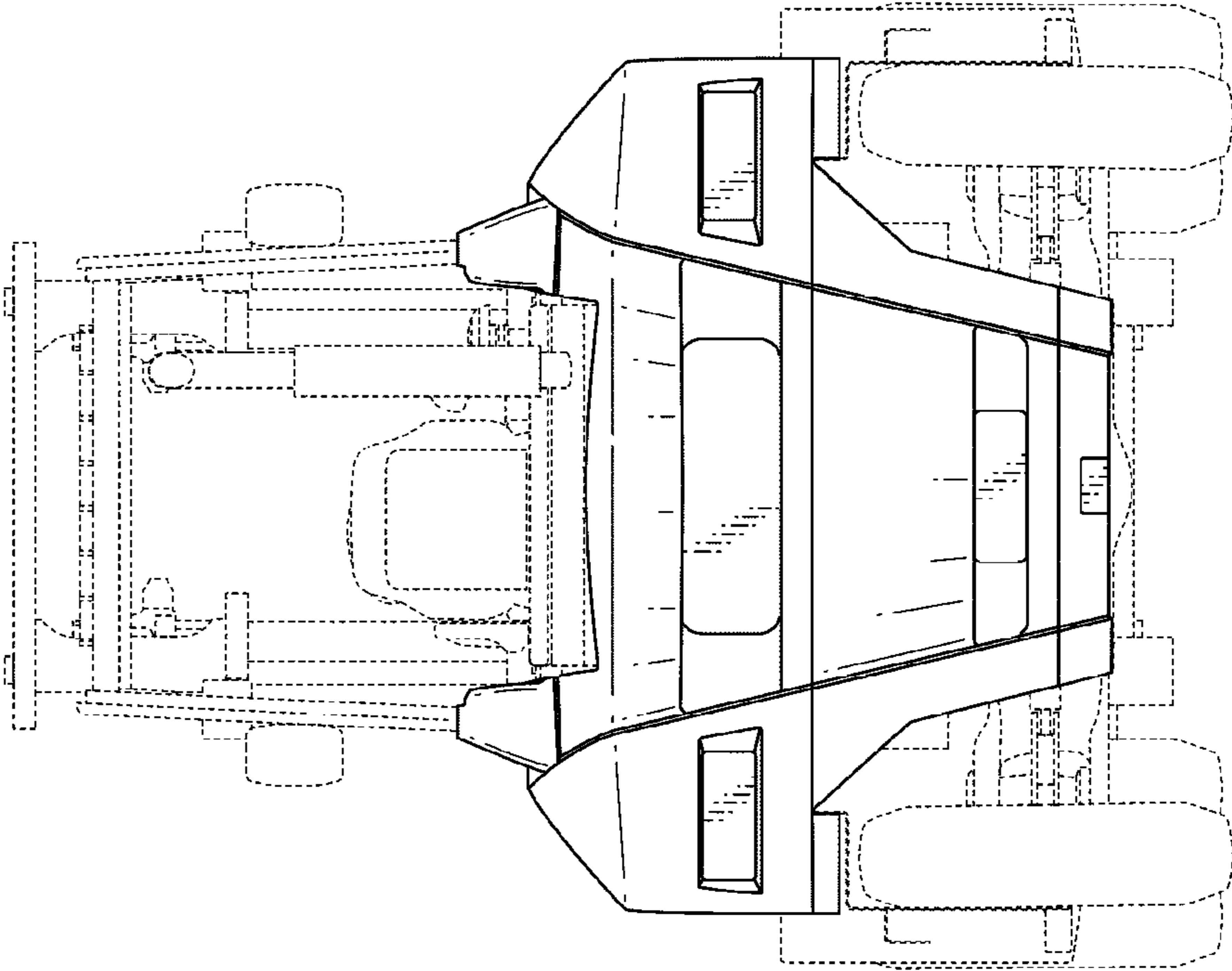


FIG. 6

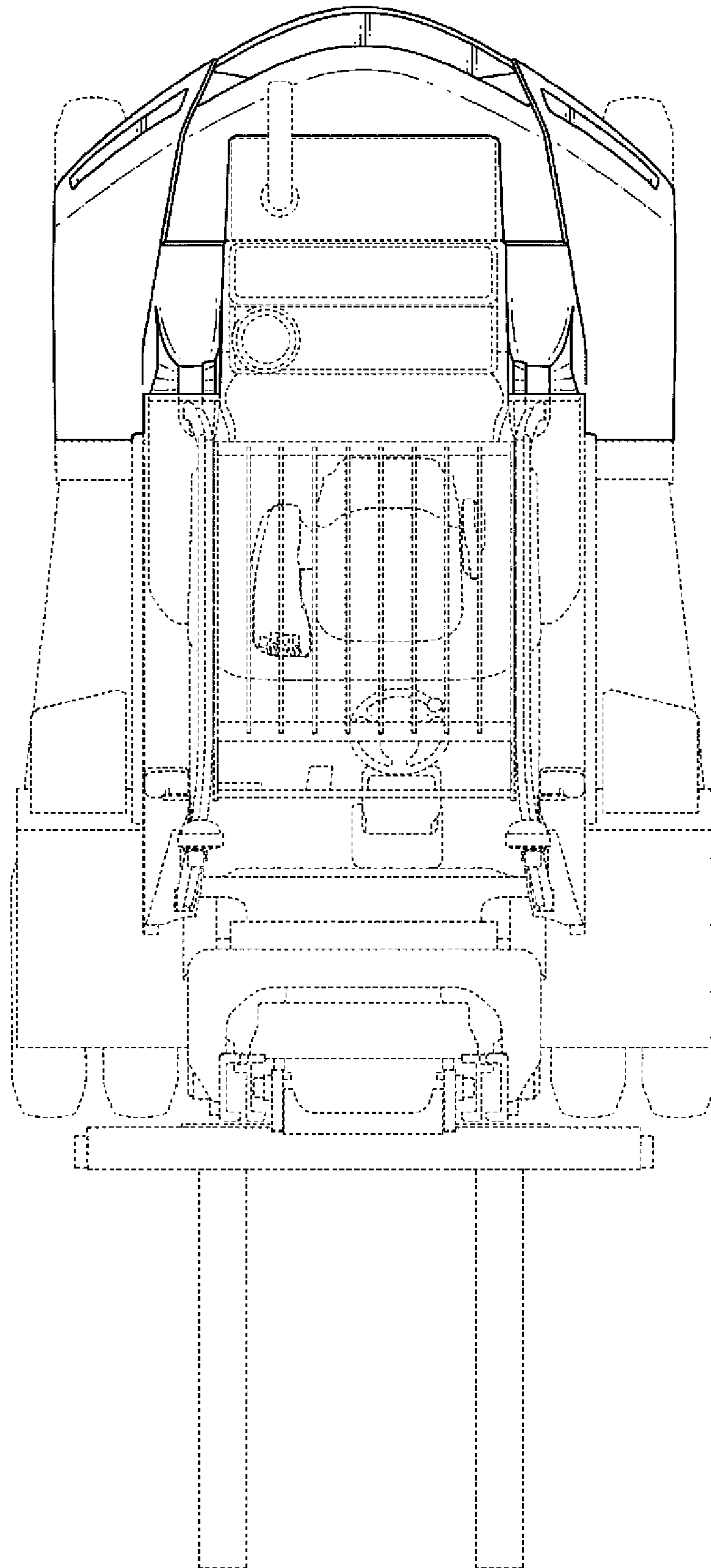


FIG. 7

